

(19) World Intellectual Property
Organization
International Bureau



(43) International Publication Date
21 October 2004 (21.10.2004)

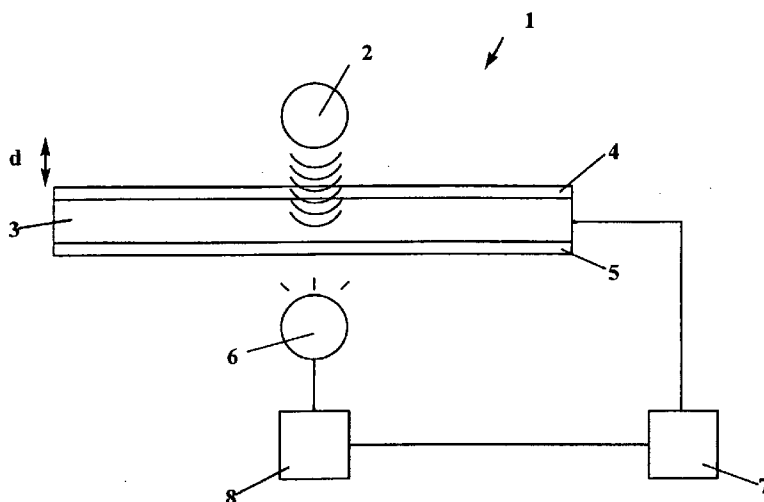
PCT

(10) International Publication Number
WO 2004/090512 A1

- (51) International Patent Classification⁷: **G01N 21/17**, 25/48, 33/487, 33/53
- (21) International Application Number: PCT/GB2004/001551
- (22) International Filing Date: 8 April 2004 (08.04.2004)
- (25) Filing Language: English
- (26) Publication Language: English
- (30) Priority Data: 0308324.3 10 April 2003 (10.04.2003) GB
- (71) Applicant (for all designated States except US): **PIEZOPTIC LIMITED** [GB/GB]; Viking House, Ellingham Way, Ashford, Kent TN23 6NF (GB).
- (72) Inventors; and
- (75) Inventors/Applicants (for US only): **CARTER, Timothy, Joseph, Nicholas** [GB/GB]; c/o PiezOptic Limited, Viking House, Ellingham Way, Ashford, Kent TN23 6NF (GB). **ROSS, Steven, Andrew** [GB/GB]; c/o PiezOptic Limited, Viking House, Ellingham Way, Ashford, Kent TN23 6NF (GB).
- (74) Agent: **ELKINGTON AND FIFE LLP**; Prospect House, 8 Pembroke Road, Sevenoaks, Kent TN13 1Xr (GB).
- (81) Designated States (unless otherwise indicated, for every kind of national protection available): AE, AG, AL, AM, AT, AU, AZ, BA, BB, BG, BR, BW, BY, BZ, CA, CH, CN, CO, CR, CU, CZ, DE, DK, DM, DZ, EC, EE, EG, ES, FI, GB, GD, GE, GH, GM, HR, HU, ID, IL, IN, IS, JP, KE, KG, KP, KR, KZ, LC, LK, LR, LS, LT, LU, LV, MA, MD, MG, MK, MN, MW, MX, MZ, NA, NI, NO, NZ, OM, PG, PH, PL, PT, RO, RU, SC, SD, SE, SG, SK, SL, SY, TJ, TM, TN, TR, TT, TZ, UA, UG, US, UZ, VC, VN, YU, ZA, ZM, ZW.
- (84) Designated States (unless otherwise indicated, for every kind of regional protection available): ARIPO (BW, GH, GM, KE, LS, MW, MZ, SD, SL, SZ, TZ, UG, ZM, ZW), Eurasian (AM, AZ, BY, KG, KZ, MD, RU, TJ, TM), European (AT, BE, BG, CH, CY, CZ, DE, DK, EE, ES, FI, FR, GB, GR, HU, IE, IT, LU, MC, NL, PL, PT, RO, SE, SI, SK, TR), OAPI (BF, BJ, CF, CG, CI, CM, GA, GN, GQ, GW, ML, MR, NE, SN, TD, TG).
- Published:
— with international search report

[Continued on next page]

(54) Title: OPTICAL CHEMICAL SENSING DEVICE WITH PYROELECTRIC OR PIEZOELECTRIC TRANSDUCER



(57) Abstract: This invention relates to a device (1) for detecting energy generated by non-radiative decay generated in a substance (2) on irradiation with electromagnetic radiation. The device (1) comprises a radiation source (6) adapted to generate a series of pulses of electromagnetic radiation, a transducer (3) having a pyroelectric or piezoelectric element and electrodes (4, 5) which is capable of transducing the energy generated by the substance (2) into an electrical signal, and a detector (7) which is capable of detecting the electrical signal generated by the transducer (3). The detector (7) is adapted to determine the time delay between each pulse of electromagnetic radiation from the radiation source (6) and the generation of the electric signal. The device (1) has a wide applicability in the fields of assays and monitoring.

WO 2004/090512 A1



For two-letter codes and other abbreviations, refer to the "Guidance Notes on Codes and Abbreviations" appearing at the beginning of each regular issue of the PCT Gazette.

OPTICAL CHEMICAL SENSING DEVICE WITH PYROELECTRIC OR PIEZOELECTRIC TRANSDUCER

The present invention relates to a chemical sensing device and in particular to a chemical sensing device employing a transducer.

5

The monitoring of analytes in solution, such as biologically important compounds in bioassays, has a broad applicability. Accordingly, a wide variety of analytical and diagnostic devices are available. Many devices employ a reagent which undergoes an eye-detectable colour change in the presence of the species being detected. The reagent is often carried on a test strip and optics may be provided to assist in the measurement of the colour change.

WO 90/13017 discloses a pyroelectric or other thermoelectric transducer element in a strip form. Thin film electrodes are provided and one or more reagents are deposited on the transducer surface. The reagent undergoes a selective colorimetric change when it comes into contact with the species being detected. The device is then typically inserted into a detector where the transducer is illuminated usually from below by an LED light source and light absorption by the reagent is detected as microscopic heating at the transducer surface. The electrical signal output from the transducer is processed to derive the concentration of the species being detected.

The system of WO 90/13017 provides for the analysis of species which produce a colour change in the reagent on reaction or combination with the reagent. For example, reagents include pH and heavy metal indicator dyes, reagents (e.g. o-cresol in ammoniacal copper solution) for detecting aminophenol in a paracetamol assay, and a tetrazolium dye for detecting an oxidoreductase enzyme in an enzyme-linked immuno-sorbant assay (ELISA). However, while this system is useful in certain applications, it has been considered suitable only for analysis where the species being analysed generates a colour change in the reagent since it is the reagent which is located on the surface of the transducer. Therefore, this system cannot be applied to the analysis of species which do not cause a colour change in the reagent or when the colour change is not on the surface of the transducer. In the field of bioassays, this gives the system limited applicability.

Accordingly, the present invention provides a device for detecting energy generated by non-radiative decay in a substance on irradiation with electromagnetic radiation comprising a radiation source adapted to generate a series of pulses of electromagnetic radiation, a transducer having a pyroelectric or piezoelectric element and electrodes which is capable of transducing the energy generated by the substance into an electrical signal, and a detector which is capable of detecting the electrical signal generated by the transducer, wherein the detector is adapted to determine the time delay between each pulse of electromagnetic radiation from the radiation source and the generation of the electric signal.

10

The present invention relies on the finding by the applicant that energy, typically heat, generated by non-radiative decay in a substance on irradiation with electromagnetic radiation, herein termed "light", may be detected by a transducer even when the substance is not in contact with the transducer and moreover, that the time delay between the irradiation with electromagnetic radiation and the electrical signal produced by the transducer is a function of the distance of the substance from the surface of the film. This finding has a wide applicability in the fields of assays and monitoring.

15

The present invention also provides a method for detecting energy generated by non-radiative decay in a substance on irradiation with electromagnetic radiation, comprising the steps of irradiating the substance with a series of pulses of electromagnetic radiation to generate energy, transducing the change in energy to an electrical signal using a transducer having a pyroelectric or piezoelectric element and electrodes which is capable of transducing a change in energy to an electrical signal, detecting the electrical signal generated by the transducer, and determining the time delay between each pulse of electromagnetic radiation from the radiation source and the generation of the electric signal.

20

The present invention will now be described with reference to the drawings, in which Fig. 1 shows a schematic representation of the chemical sensing device of the present invention;

30

Fig. 2 shows a sandwich immunoassay using the device of the present invention;

Fig. 3 shows a lateral-flow assay device in accordance with the present invention;

Fig. 4 shows a graph of reader value against time for (a) a labelled antibody on a piezoelectric film and (b) a labelled antibody in solution, both being enhanced by catalytic deposition of metallic silver;

5 Fig. 5 shows the results of a sandwich assay using a colloidal gold-labelled antibody being enhanced by catalytic deposition of metallic silver on the surface of the piezoelectric film;

Fig. 6 shows the results of a sandwich assay using a gold-labelled antibody followed by catalytic deposition of metallic silver on the surface of the piezoelectric film using
10 five different analyte concentrations;

Fig. 7 shows a graph of counts against film thickness demonstrating energy transference through a coloured layer above an uncoloured layer which transfers energy to a piezoelectric film; and

Fig. 8 shows a graph of counts against correlation delay demonstrating energy
15 transference through a coloured layer and an uncoloured layer which transfers energy to a piezoelectric film.

Fig. 1 shows a chemical sensing device 1 in accordance with the present invention which relies on heat generation in a substance 2 on irradiation of the substance 2 with
20 electromagnetic radiation. Fig. 1 shows the chemical sensing device 1 in the presence of a substance 2. The device 1 comprises a pyroelectric or piezoelectric transducer 3 having electrode coatings 4,5. The transducer 3 is preferably a poled polyvinylidene fluoride film. The electrode coatings 4,5 are preferably formed from indium tin oxide having a thickness of about 35 nm, although almost any thickness is possible from a
25 lower limit of 1 nm below which the electrical conductivity is too low and an upper limit of 100 nm above which the optical transmission is too low (it should not be less than 95%T). A substance 2 is held proximal to the piezoelectric transducer 3 using any suitable technique, shown here attached to the upper electrode coating 4. The substance may be in any suitable form and a plurality of substances may be deposited.
30 Preferably, the substance 2 is adsorbed on to the upper electrode, e.g. covalently coupled or bound via intermolecular forces such as ionic bonds, hydrogen bonding or van der Waal's forces. A key feature of the present invention is that the substance 2 generates heat when irradiated by a source of electromagnetic radiation 6, such as

light, preferably visible light. The light source may be, for example, an LED. The light source 6 illuminates the substance 2 with light of the appropriate wavelength (e.g. a complementary colour). Although not wishing to be bound by theory, it is believed that the substance 2 absorbs the light to generate an excited state which then
5 undergoes non-radiative decay thereby generating energy, indicated by the curved lines in Fig. 1. This energy is primarily in the form of heat (i.e. thermal motion in the environment) although other forms of energy, e.g. a shock wave, may also be generated. The energy is, however, detected by the transducer and converted into an electrical signal. The device of the present invention is calibrated for the particular
10 substance being measured and hence the precise form of the energy generated by the non-radiative decay does not need to be determined. Unless otherwise specified the term "heat" is used herein to mean the energy generated by non-radiative decay. The light source 6 is positioned so as to illuminate the substance 2. Preferably, the light source 6 is positioned below the transducer 3 and electrodes 4,5 and the substance 2 is
15 illuminated through the transducer 3 and electrodes 4,5. The light source may be an internal light source within the transducer in which the light source is a guided wave system. The wave guide may be the transducer itself or the wave guide may be an additional layer attached to the transducer.

20 The energy generated by the substance 2 is detected by the transducer 3 and converted into an electrical signal. The electrical signal is detected by a detector 7. The light source 6 and the detector 7 are both under the control of the controller 8. The light source 6 generates a series of pulses of light (the term "light" used herein means any form of electromagnetic radiation unless a specific wavelength is mentioned) which is
25 termed "chopped light". In principle, a single flash of light, i.e. one pulse of electromagnetic radiation, would suffice to generate a signal from the transducer 3. However, in order to obtain a reproducible signal, a plurality of flashes of light are used which in practice requires chopped light. The frequency at which the pulses of electromagnetic radiation are applied may be varied. At the lower limit, the time
30 delay between the pulses must be sufficient for the time delay between each pulse and the generation of an electrical signal to be determined. At the upper limit, the time delay between each pulse must not be so large that the period taken to record the data becomes unreasonably extended. Preferably, the frequency of the pulses is from 2-50

Hz, more preferably 5-15 Hz and most preferably 10 Hz. This corresponds to a time delay between pulses of 20-500 ms, 66-200 ms and 100 ms, respectively. In addition, the so-called "mark-space" ratio, i.e. the ratio of on signal to off signal is preferably one although other ratios may be used without deleterious effect. Sources of electromagnetic radiation which produce chopped light with different frequencies of chopping or different mark-space ratios are known in the art. The detector 7 determines the time delay (or "correlation delay") between each pulse of light from light source 6 and the corresponding electrical signal detected by detector 7 from transducer 3. The applicant has found that this time delay is a function of the distance, d.

Any method for determining the time delay between each pulse of light and the corresponding electrical signal which provides reproducible results may be used. Preferably, the time delay is measured from the start of each pulse of light to the point at which a maximum in the electrical signal corresponding to the absorption of heat is detected as by detector 7.

The finding that the substance 2 may be separated from the transducer surface and that a signal may still be detected is surprising since the skilled person would have expected the heat to be dispersed into the surrounding medium and hence be undetectable by the transducer 3 or at least for no meaningful signal to be received by the transducer. The applicant has found, surprisingly, that not only is the signal detectable through an intervening medium capable of transmitting energy to the transducer 3, but that different distances, d, may be distinguished (this has been termed "depth profiling") and that the intensity of the signal received is proportional to the concentration of the substance 2 at the particular distance, d, from the surface of the transducer 3. Moreover, the applicant has found that the nature of the medium itself influences the time delay and the magnitude of the signal at a given time delay. These findings provide a wide number of new applications for chemical sensing devices employing a transducer.

In one embodiment, the present invention provides a device as defined above wherein the substance is an analyte or a complex or derivative of the analyte, the device being

used for detecting the analyte in a sample, the device further comprising at least one reagent proximal to the transducer, the reagent having a binding site which is capable of binding the analyte or the complex or derivative of the analyte, wherein the analyte or the complex or derivative of the analyte is capable of absorbing the electromagnetic radiation generated by the radiation source to generate heat, wherein, in use, the heat generated is transduced into an electrical signal by the transducer and is detected by the detector, and the time delay between each of the pulses of electromagnetic radiation and the generation of the electric signal corresponds to the position of the analyte at any of one or more positions at different distances from the surface of the transducer. The present invention also provides a method for detecting an analyte in a sample, comprising the steps of exposing the sample to a transducer having a pyroelectric or piezoelectric element and electrodes which is capable of transducing a change in heat to an electrical signal, the transducer having at least one reagent proximal thereto, the reagent having a binding site which is capable of binding the analyte or a complex or derivative of the analyte, the analyte or the complex or derivative of the analyte being capable of absorbing the electromagnetic radiation generated by the radiation source to generate heat; irradiating the reagent with a series of pulses of electromagnetic radiation, transducing the heat generated into an electrical signal; detecting the electrical signal and the time delay between each pulse of electromagnetic radiation from the radiation source and the generation of the electric signal, wherein the time delay between each of the pulses of electromagnetic radiation and the generation of the electric signal corresponds to the position of the analyte at any of one or more positions at different distances from the surface of the transducer. Such a device and method have applicability in, for example, immunoassays and nucleic acid-based assays. In a preferred example of an immunoassay, the reagent is an antibody and the analyte is an antigen.

In a typical immunoassay, an antibody specific for an antigen of interest is attached to a polymeric support such as a sheet of polyvinylchloride or polystyrene. A drop of cell extract or a sample of serum or urine is laid on the sheet, which is washed after formation of the antibody-antigen complex. Antibody specific for a different site on the antigen is then added, and the sheet is again washed. This second antibody carries a label so that it can be detected with high sensitivity. The amount of second antibody

bound to the sheet is proportional to the quantity of antigen in the sample. This assay and other variations on this type of assay are well known, see, for example, "The Immunoassay Handbook, 2nd Ed." David Wild, Ed., Nature Publishing Group, 2001. The device of the present invention may be used in any of these assays.

5

By way of example, Fig. 2 shows a typical capture antibody assay using the device of the present invention. A device includes a transducer 3 and a well 9 for holding a liquid 10 containing an analyte 11 dissolved or suspended therein. The transducer 3 has a number of reagents, i.e. antibody 12, attached thereto. The antibody 12 is shown attached to the film in Fig. 2 and this attachment may be via a covalent bond or by non-covalent adsorption onto the surface, such as by hydrogen bonding. Although the antibody is shown as attached to the transducer, any technique for holding the antibody 12 proximal to the transducer 3 is applicable. For example, an additional layer may separate the antibody 12 and the transducer 3, such as a silicone polymer layer, or the antibody could be attached to inert particles and the inert particles are then attached to the transducer 3. Alternatively, the antibody 12 could be entrapped within a gel layer which is coated onto the surface of the transducer 3.

In use, the well is filled with liquid 10 (or any fluid) containing an antigen 11. The antigen 11 then binds to antibody 12. Additional labelled antibody 13 is added to the liquid and a so-called "sandwich" complex is formed between the bound antibody 12, the antigen 11 and the labelled antibody 13. An excess of labelled antibody 13 is added so that all of the bound antigen 11 forms a sandwich complex. The sample therefore contains bound labelled antigen 13a and unbound labelled antigen 13b free in solution.

During or following formation of the sandwich complex, the sample is irradiated using a series of pulses of electromagnetic radiation, such as light. The time delay between each pulse and the generation of an electrical signal by the transducer 3 is detected by a detector. The appropriate time delay is selected to measure only the heat generated by the bound labelled antigen 13a. Since the time delay is a function of the distance of the label from the transducer 3, the bound labelled antibody 13a may be distinguished from the unbound labelled antigen 13b. This provides a

significant advantage over the conventional sandwich immunoassay in that it removes the need for washing steps. In a conventional sandwich immunoassay, the unbound labelled antibody must be separated from the bound labelled antibody before any measurement is taken since the unbound labelled antigen interferes with the signal generated by the bound labelled antigen. However, on account of the “depth profiling” provided by the present invention, bound and unbound labelled antigen may be distinguished. Indeed, the ability to distinguish between substances proximal to the transducer and substances in the bulk solution is a particular advantage of the present invention.

10

The labelled antibody is preferably labelled with a label selected from a dye molecule, a gold particle, a coloured polymer particle (e.g. a coloured latex particle), a fluorescent molecule, an enzyme, a red blood cell, a haemoglobin molecule, a magnetic particle and a carbon particle. However, any label capable of interacting with electromagnetic radiation to generate heat would be acceptable. In the case of a magnetic particle, the electromagnetic radiation is radio frequency radiation. All of the other labels mentioned hereinabove employ light. In the case of a gold particle, the label is enhanced using a solution of silver ions and a reducing agent. The gold catalyses/activates the reduction of the silver ions to silver metal and it is the silver metal which absorbs the light. All of these labels are conventional.

15
20

The labelled antibody, or indeed any one or more additional reagents are preferably stored in a chamber incorporated into the device of the present invention.

25 The antigen is typically a protein, such as a protein-based hormone, although smaller molecules, such as drugs, may be detected. The antigen may also be part of a larger particle, such as a virus, a bacterium, a cell (e.g. a red blood cell) or a prion.

30 As a further example of known immunoassays, the present invention may be applied to competitive assays in which the electrical signal detected by the detector is inversely proportional to the presence of an unlabelled antigen in the sample. In this case, it is the amount of the unlabelled antigen in the sample which is of interest.

In a competitive immunoassay, an antibody is attached to the transducer as shown in Fig. 2. A sample containing the antigen is then added. However, rather than adding a labelled antibody, a known amount of labelled antigen is added to the solution. The labelled and unlabelled antigens then compete for binding to the antibodies attached to the transducer 3. The concentration of the bound labelled antigen is then inversely proportional to the concentration of bound unlabelled antigen and hence, since the amount of labelled antigen is known, the amount of unlabelled antigen in the initial solution may be calculated. The same labels specified with reference to the antibodies may also be used with the antigens.

10

In an embodiment of the present invention, the analyte being detected may be present in a sample of whole blood. In many conventional assays, the presence of other components of the blood in solution or suspension, such as red blood cells, interferes with the detection of the particular analyte of interest. However, in the device of the present invention, since only the signal at a known distance from the transducer 3 is determined, the other components of the blood which are free in solution or suspension do not interfere with the detection. This simplifies the analysis of a blood sample since a separate separation step is not required. An apparatus for measuring analyte levels in a blood sample preferably comprises a hand-held portable reader and a disposable device containing the piezoelectric film. A small sample of blood (about 10 microlitres) is obtained and transferred to a chamber within the disposable device. One side of the chamber is made from the piezoelectric film coated with an antibody capable of binding to the analyte of interest. An additional solution may then be added containing, for example, labelled antibody or a known concentration of labelled antigen as described above. The reaction is allowed to proceed and the disposable device is then inserted into the reader which activates the measurement process. The results of the assay are then indicated on a display on the reader. The disposable device containing the piezoelectric film is then removed and discarded.

30 A potential source of background interference is the settling of suspended particles on to the surface of the pyroelectric or piezoelectric transducer. For example, this might occur in some devices using the generation of silver particles. This source of interference may be avoided by positioning the transducer above the bulk solution,

e.g. on the upper surface of the reaction chamber. Thus, if any settling occurs, it will not interfere with the transducer. Alternatively, the particles could be less dense than the medium and hence float to the surface of the bulk solution rather than settling on the surface of the transducer. This and other modifications are included in the scope
5 of the present invention.

In another embodiment, the device of the present invention is applied to lateral-flow analysis. This has particular application for the detection of human chorionic gonadotrophin (HCG) in pregnancy testing.

10

Fig. 3 shows a simplified lateral flow device 14 in accordance with the present invention. The device has a filter paper or other absorber 15 containing a sample receiver 16 and a wick 17 together with first and second zones 18 and 19 containing unbound and bound antibodies (i.e. unbound and bound to the filter paper or other
15 absorber 15), respectively, capable of binding to HCG. The device also contains a piezoelectric film 20 proximal to the second zone 19. A sample of urine or serum is added to the sample receiver 16 which then travels along the absorber 15 to the wick 17. The first zone 18 contains a labelled antibody to HCG and as the sample passes through the first zone 18, if HCG is present in the sample, the labelled antibody to
20 HCG is picked up by the sample. As the sample passes from the first zone 18 to the second zone 19, the antigen and antibody form a complex. At the second zone 19, a second antibody is attached either to the absorber 15 or the piezoelectric film 20 which is capable of binding the antigen-antibody complex. In a conventional lateral-flow analysis such as a pregnancy tester, a positive result produces a colour change at
25 the second zone 19. However, the conventional lateral-flow analysis is restricted to clear samples and is essentially suitable only for a positive or negative i.e. yes/no, result. The device of the present invention, however, uses a piezoelectric film 20. Since only the sample at the predetermined distance from the film is measured, contaminants in the bulk sample will not affect the reading. Moreover, the sensitivity
30 of the piezoelectric film provides a quantification of the result. Quantification of the result provides a broader applicability to the lateral-flow analysis and also distinguishing between different quantities of antigens reduces the number of erroneous results.

The device of the present invention is not restricted to detecting only one analyte in solution. Since the device provides "depth profiling" different analytes may be detected by employing reagents which selectively bind each analyte being detected
5 wherein the reagents are different distances from the surface of the transducer 3. For example, two analytes may be detected using two reagents, the first reagent being positioned at a first distance from the film and the second reagent being positioned at a second distance from the film. The time delay between each pulse of electromagnetic radiation and the generation of electrical signal will be different for
10 the two analytes bound to the first and second reagents.

As well as providing different depths, multiple tests may be carried out using different types of reagents, e.g. different antibodies, at different parts of the transducer. Alternatively, or in addition, multiple tests may be carried out using reagents/analytes
15 which respond to different wavelengths of electromagnetic radiation.

The substance generating the heat may be on the surface of the film, however, preferably the substance is at least 5 nm from the surface of the film and, preferably, the substance is no more than 500 μm from the surface of the film. By selecting a
20 suitable time delay, however, a substance in the bulk solution may also be measured.

As alternatives to antibody-antigen reactions, the reagent and analyte may be a first and second nucleic acid where the first and second nucleic acids are complementary, or a reagent containing avidin or derivatives thereof and an analyte containing biotin
25 or derivatives thereof, or vice versa. The system is also not limited to biological assays and may be applied, for example, to the detection of heavy metals in water. The system also need not be limited to liquids and any fluid system may be used, e.g. the detection of enzymes, cells and viruses etc. in the air.

30 As described hereinabove, the applicant has found that the time delay between each pulse of electromagnetic radiation in the generation of an electric signal in the transducer is proportional to the distance of the substance from the film. Moreover, the applicant has found that the time delay depends on the nature of the medium itself.

Initially, it was surprising that a liquid medium does not totally dampen the signal. However, the applicant has found that changes in the nature of the medium can alter the time delay (i.e. until signal maximum is reached), the magnitude of the signal and the waveform of the signal, (i.e. the variation of response over time).

5

These changes in the nature of the medium may be due to, amongst other things variations in the thickness of the medium, the elasticity of the medium, the hardness of the medium, the density of the medium, the deformability of the medium, the heat capacity of the medium or the speed at which sound / shock waves may be propagated through the medium.

10

The variation in time delay depending on the nature of the medium may, in itself, provide for useful applications. For example, the device of the present invention may be used to determine the progress of a chemical reaction, such as a polymerisation or depolymerisation reaction. A device of the present invention is as described above further comprising at least one substance proximal to the transducer, the substance being capable of absorbing the electromagnetic radiation generated by the radiation source to generate heat, wherein, in use, the heat generated is transduced into an electrical signal by the transducer and is detected by the detector, and the time delay between each of the pulses of electromagnetic radiation and the generation of the electric signal and/or the magnitude of the signal at a specific time delay, preferably a non-zero time delay, varies as the reaction progresses.

15

20

The present invention also provides a method for monitoring the progress of a reaction comprising the steps of exposing reactants in a reaction medium to a transducer having a pyroelectric or piezoelectric element and electrodes which is capable of transducing a change in heat to an electrical signal, the transducer having at least one substance proximal to the transducer, the substance being capable of absorbing the electromagnetic radiation generated by the radiation source to generate heat, irradiating the substance with a series of pulses of electromagnetic radiation, transducing the heat generated into an electrical signal; detecting the electrical signal and the time delay between each pulse of electromagnetic radiation from the radiation source and the generation of the electric signal, wherein the time delay between each

30

of the pulses of electromagnetic radiation and the generation of the electric signal and/or the magnitude of the signal at a specific time delay varies as the reaction progresses.

5 **Examples**

A poled polyvinylidene fluoride bimorph, coated in indium tin oxide, was used as the sensing device in the following examples.

10 In Examples 1-4 and Comparative examples 1-3, the sensing device was dip-coated in polystyrene solution to give a polystyrene layer on top of the indium tin oxide. Circular polystyrene "washers" of internal diameter 5 mm and height 5 mm were attached to the polystyrene surface (using pressure sensitive adhesive) to form reaction wells, which could effectively constrain liquids above the surface of the
15 sensing device. The wells hold a total volume of up to 100 μ L of liquid. The polystyrene washers had been treated with a solution of bovine serum albumin (BSA) and Tween (RTM) 20 (polyoxyethylene sorbitan monolaurate) to prevent non-specific binding of protein molecules to the walls of the reaction well.

20 **Example 1**

Fig. 4 shows the results of two proof-of-principle experiments which detect the presence of (a) a labelled antibody attached to a piezoelectric film and (b) a labelled antibody in solution. The two experiments were carried out in reaction wells on the
25 surface of polystyrene-coated piezoelectric film. In the first experiment (a) 50 μ L of gold-labelled anti-horseradish peroxidase (HRP) solution (5 μ g / mL, 250 ng total) in phosphate buffer (pH 7.2, 100 mM) were added to the reaction well and incubated for 1 hour, then rinsed off and dried. In the second experiment (b) the surface of the polystyrene film was blocked by incubation with a solution of bovine serum albumin
30 (1%) and Tween (RTM) 20 (0.5%), then rinsed off and dried.

50 μ L of premixed silver-enhancer solution (Sigma SE-100) was added to the first reaction well to initiate the enhancement reaction. 50 μ L of premixed silver enhancer

solution containing 250 ng of gold-labelled anti-HRP was added to the second well to initiate the enhancement reaction.

The wells were then irradiated with chopped light of wavelength 654 nm with a chopping frequency of 10 Hz. The magnitude of the maximum signal detected by the piezoelectric film at a correlation delay of around 10-15 ms was measured. The signal was displayed on an analogue-to-digital converter. Fig. 4 shows the results of these enhancement reactions. The y axis shows the signal received by the detector, termed "Reader value (ADC counts)" and the x axis shows time in seconds.

10

In the first experiment (a), the gold-labelled anti-HRP bound to the surface mediates the reaction between silver ions and reducing agent at the surface of the film, leading to deposition of metallic silver on to the transducer surface. In the second experiment (b), the gold-labelled anti-HRP in solution mediates the reaction between silver ions and reducing agent in solution, leading to the precipitation of silver particles. The kinetic profile of these reactions can be monitored over time, with measurements being taken every 10 seconds. Since the bulk solution is at a greater distance from the piezoelectric film than the bound label, little or no signal is detected at a correlation delay of around 10-15 ms. The quantities of anti-HRP used ensure that the quantity of anti-HRP on the surface in the first experiment (a) must be equal to or less than the quantity of anti-HRP in solution in the second experiment (b).

15

20

Incidentally, if a signal were detected at a correlation delay around 50-60 ms, the signal for the antibody in bulk solution would be measured rather than the bound antibody on the surface of the transducer, although because of the damping of the signal by the medium, the strength of the signal may be reduced.

25

Example 2

30 μ L of a 1:30 dilution in 100 mM phosphate buffer, pH 7.2 of rabbit anti-horseradish peroxidase (HRP) immunoglobulin G (Sigma cat. No P7899) (IgG) was incubated in the reaction well for one hour at room temperature to allow adsorption of antibody onto the surface of the polystyrene. The solution was then rinsed off and

treated with bovine serum albumin (1%) and Tween (RTM) 20 (0.05%) in a phosphate buffer (30 μ L) to block any remaining adsorption sites on the polystyrene surface. The well was rinsed with deionised water and dried. 30 μ L of horseradish peroxidase solution (125 μ g/mL in 100 mM phosphate buffer) was then added to the reaction well and incubated for 1 hour then rinsed off. 30 μ L of gold-labelled goat (Fab')₂ anti-horseradish peroxidase (British Biocell) (1:10 dilution in 100 mM phosphate buffer) was added for one hour at room temperature. The well was then rinsed with deionised water. Silver enhancer solution (Sigma SE-100, consisting of 20 μ L solution A and 20 solution B, which were premixed immediately prior to use) was then added to the reaction well and the development of metallic silver stain on the surface of the sensor was monitored by illumination of the sensor film using chopped light (10 Hz) from a high-energy blue LED (emitting at 470 nm). A voltage is generated across the sensor which is measured using a lock-in amplifier, then converted to an arbitrary digital signal and stored on a PC.

15

Comparative example 1

The reaction was carried out exactly as described in Example 2 above, except that the initial step of adsorbing rabbit anti-HRP onto the surface of the sensor was omitted.

20

Comparative example 2

The reaction was carried out exactly as described in Example 2 above, except that the incubation step with horseradish peroxidase was omitted.

25

Comparative example 3

The reaction was carried out exactly as described above in Example 2, except that the incubation step with the gold-labelled goat (Fab')₂ anti-horseradish peroxidase antibody was omitted.

30

Fig. 5 shows the results from Example 2 and Comparative examples 1 to 3 (4 runs of each). The four data series which give rise to a rapid signal are due to the rabbit anti-

HRP/HRP/gold-labelled goat anti-HRP sandwich on the surface of the sensor (Example 2). All other data series are due to control reactions (Comparative examples 1 to 3).

5 Example 3

Rabbit anti-horseradish peroxidase (HRP) immunoglobulin G (Sigma cat. No P7899) (IgG) (30 μ L of a 1:30 dilution in 100 mM phosphate buffer, pH 7.2) was incubated in two reaction wells for one hour at room temperature to allow adsorption of antibody
10 onto the surface of the polystyrene. The solutions were then rinsed off and treated with bovine serum albumin (1%) and Tween (RTM) 20 (0.05%) in phosphate buffer (30 μ L) to block any remaining adsorption sites on the polystyrene surface. The wells were rinsed with deionised water and dried. 10 μ L of horseradish peroxidase solution (125 μ g / mL in 100 mM phosphate buffer) was then added to reaction well 1,
15 whereas 10 μ L of phosphate buffer alone was added to reaction well 2. These were left for 15 mins to incubate, then 30 μ L of gold-labelled goat (Fab')₂ anti-horseradish peroxidase (British Biocell) (1:10 dilution in 100 mM phosphate buffer) was added to both wells 1 and 2 for 15 mins at room temperature. Silver enhancer solution (Sigma SE-100, consisting of 20 μ L solution A and 20 solution B, which were premixed
20 immediately prior to use) was then added to both reaction wells and the development of metallic silver stain on the surface of the sensor was monitored using the technique described previously.

The presence of HRP in well 1 as a model analyte, allows formation of a sandwich
25 complex on the surface of the transducer (rabbit anti-HRP / HRP / gold-labelled goat anti-HRP), thus localising some of the gold label onto the surface in well 1. The absence of HRP in well 2 means that the gold-labelled goat antibody remains in solution in well 2.

30 The development of signal over time for wells 1 and 2 was similar to that presented in Fig. 4, illustrating that detection of analyte can take place without washing steps.

Example 4

A series of experiments were carried out exactly as described in Example 2, using rabbit anti-HRP IgG adsorbed onto the surface of the transducer as the capture antibody, HRP as the target analyte and gold-labelled goat anti-HRP IgG as the reporter antibody. Five different HRP concentrations were used (100 ng / mL, 10 ng / mL, 1 ng / mL, 100 pg / mL and 1 pg / mL). This corresponded to total quantities of HRP equal to 3 ng, 300 pg, 30 pg, 3 pg and 30 fg. The silver-enhancement step was carried out as described above. Fig. 6 shows that the signal is dependent upon the amount of analyte used in the reaction.

Example 5

In this example, the transducer is coated with a layer of silicone. The signal detected by the transducer depends on both the thickness and the elasticity of the silicone layer. Silicone layers were prepared of varying thickness, with spots of Sudan Black B dye placed atop of the silicone layers by addition of dye solution (in ethanol) by pipette. Three different layer thicknesses (200, 133 and 79 μm) and three different total amounts of dye were used (by adding either 0.1, 1.0 or 2.5 μL of 10 mmol dm^{-3} dye solution), giving a total of nine measurements. Fig. 7 shows that the signal rises significantly as the layer thickness falls (for all three dye quantities) where the correlation delay is 10 ms.

Additionally, the thickness of the intervening silicone layer affects the time taken for the signal to reach a maximum (i.e. the correlation delay). This is illustrated in Fig. 8, where the thickness of an intervening silicone layer between a dye spot and the transducer was varied between 100 and 500 μm . The y axis gives the counts (in thousands), whereas the x axis gives the correlation delay (correlation delay 1 = 5 ms, 2 = 10 ms, 3 = 15 ms, etc). The highest signal is observed for a silicone layer of 100 μm with a correlation delay of 15 ms to reach this maximum. As the thickness of the silicone layer is increased it is observed that the signal falls, and at the same time, the time taken to reach maximum also increases, to 50 ms at a silicone layer thickness of 500 μm .

Claims

1. A device for detecting energy generated by non-radiative decay in a substance on irradiation with electromagnetic radiation comprising
- 5 a radiation source adapted to generate a series of pulses of electromagnetic radiation, a transducer having a pyroelectric or piezoelectric element and electrodes which is capable of transducing the energy generated by the substance into an electrical signal, and
- 10 a detector which is capable of detecting the electrical signal generated by the transducer, wherein the detector is adapted to determine the time delay between each pulse of electromagnetic radiation from the radiation source and the generation of the electric signal.
- 15 2. A device as claimed in claim 1, wherein the substance is an analyte or a complex or derivative of the analyte, the device being used for detecting the analyte in a sample, the device further comprising
- at least one reagent proximal to the transducer, the reagent having a binding site which is capable of binding the analyte or the complex or derivative of the analyte,
- 20 wherein the analyte or the complex or derivative of the analyte is capable of absorbing the electromagnetic radiation generated by the radiation source to generate energy, wherein, in use, the energy is transduced into an electrical signal by the transducer and is detected by the detector, and the time delay between each of the pulses of electromagnetic radiation and the generation of the electric signal corresponds to the
- 25 position of the analyte at any of one or more positions at different distances from the surface of the transducer.
3. A device as claimed in claim 2, wherein the reagent is an antibody and the analyte is an antigen.
- 30 4. A device as claimed in claim 3, wherein the complex or derivative of the analyte is a complex with a labelled antibody.

5. A device as claimed in claim 3, wherein the analyte is a labelled antigen and the electrical signal detected by the detector is inversely proportional to the presence of an unlabelled antigen in the sample.
- 5 6. A device as claimed in claim 4 or 5, wherein the labelled antibody or antigen is labelled with a label selected from a dye molecule, a gold particle, a coloured-polymer particle, a fluorescent molecule, an enzyme, a red blood cell, a haemoglobin molecule, a magnetic particle and a carbon particle.
- 10 7. A device as claimed in claim 2, wherein the reagent is a first nucleic acid and the analyte is a second nucleic acid and the first and second nucleic acids are complementary.
8. A device as claimed in claim 2, wherein the reagent contains avidin or
15 derivatives thereof and the analyte contains biotin or derivatives thereof, or vice versa.
9. A device as claimed in claim 1, which is suitable for monitoring the progress of a reaction between reactants, further comprising at least one substance proximal to the transducer, the substance being capable of absorbing the electromagnetic radiation
20 generated by the radiation source to generate energy, wherein, in use, the energy generated is transduced into an electrical signal by the transducer and is detected by the detector, and the time delay between each of the pulses of electromagnetic radiation and the generation of the electric signal and/or the magnitude of the signal at a specific time delay varies as the reaction progresses.
- 25 10. A device as claimed in claim 9, wherein the reaction is a polymerisation or depolymerisation reaction.
11. A device as claimed in any preceding claim, wherein the time delay is at least
30 5 milliseconds, preferably at least 10 milliseconds.

12. A device as claimed in any preceding claim, wherein the time delay is no greater than 500 milliseconds, preferably no greater than 250 milliseconds, more preferably no greater than 150 milliseconds.
- 5 13. A device as claimed in any preceding claim, wherein the electromagnetic radiation is light, preferably visible light.
14. A device as claimed in any preceding claim, wherein the reagent is adsorbed on to the transducer.
- 10 15. A device as claimed in any of claims 2 to 13, wherein the analyte according to any of claims 2 to 8 or the reactants according to claims 9 or 10 are dissolved or suspended in a liquid.
- 15 16. A device as claimed in claim 14, further comprising a well for holding the liquid in contact with the transducer.
17. A device as claimed in any preceding claim, further comprising a chamber for storing one or more additional reagents.
- 20 18. A device as claimed in claim 16, wherein the additional reagent is a labelled antibody for producing the subsequently formed complex or derivative of the analyte.
19. A method for detecting energy generated by non-radiative decay in a
25 substance on irradiation with electromagnetic radiation, comprising the steps of irradiating the substance with a series of pulses of electromagnetic radiation to generate energy,
transducing the change in energy to an electrical signal using a transducer having a pyroelectric or piezoelectric element and electrodes which is capable of transducing a
30 change in energy to an electrical signal,
detecting the electrical signal generated by the transducer, and
determining the time delay between each pulse of electromagnetic radiation from the radiation source and the generation of the electric signal.

20. A method for detecting an analyte in a sample, comprising the steps of exposing the sample to a transducer having a pyroelectric or piezoelectric element and electrodes which is capable of transducing a change in energy to an electrical signal,
5 the transducer having at least one reagent proximal thereto, the reagent having a binding site which is capable of binding the analyte or a complex or derivative of the analyte, the analyte or the complex or derivative of the analyte being capable of absorbing the electromagnetic radiation generated by the radiation source to generate energy by non-radiative decay;
10 irradiating the reagent with a series of pulses of electromagnetic radiation, transducing the energy generated into an electrical signal; detecting the electrical signal and the time delay between each pulse of electromagnetic radiation from the radiation source and the generation of the electric signal, wherein the time delay between each of the pulses of electromagnetic radiation
15 and the generation of the electric signal corresponds to the position of the analyte at any of one or more positions at different distances from the surface of the transducer.
21. A method as claimed in claim 20, wherein the reagent is an antibody and the analyte is an antigen.
20
22. A method as claimed in claim 21, wherein the complex or derivative of the analyte is a complex with a labelled antibody.
23. A method as claimed in claim 21, wherein the analyte is a labelled antigen and
25 the electrical signal detected by the detector is inversely proportional to the presence of an unlabelled antigen in the sample.
24. A method as claimed in claim 22 or 23, wherein the labelled antibody or antigen is labelled with a label selected from a dye molecule, a gold particle, a
30 coloured-polymer particle, a fluorescent molecule, an enzyme, a red blood cell, a haemoglobin molecule, a magnetic particle and a carbon particle.

25. A method as claimed in claim 20, wherein the reagent is a first nucleic acid and the analyte is a second nucleic acid and the first and second nucleic acids are complimentary.

5 26. A method as claimed in claim 20, wherein the reagent contains avidin or derivatives thereof and the analyte contains biotin or derivatives thereof, or vice versa.

10 27. A method as claimed in any of claims 20 to 26, wherein the method is carried out without removing the sample from the transducer between the steps of exposing the sample to the transducer and irradiating the reagent.

15 28. A method for monitoring the progress of a reaction comprising the steps of exposing reactants in a reaction medium to a transducer having a pyroelectric or piezoelectric element and electrodes which is capable of transducing a change in energy to an electrical signal, the transducer having at least one substance proximal to the transducer, the substance being capable of absorbing the electromagnetic radiation generated by the radiation source to generate energy by non-radiative decay, irradiating the substance with a series of pulses of electromagnetic radiation, transducing the energy generated into an electrical signal;

20 detecting the electrical signal and the time delay between each pulse of electromagnetic radiation from the radiation source and the generation of the electric signal, wherein the time delay between each of the pulses of electromagnetic radiation and the generation of the electric signal and/or the magnitude of the signal at a specific time delay varies as the reaction progresses.

25 29. A method as claimed in claim 28, wherein the reaction is a polymerisation or depolymerisation reaction.

1/7

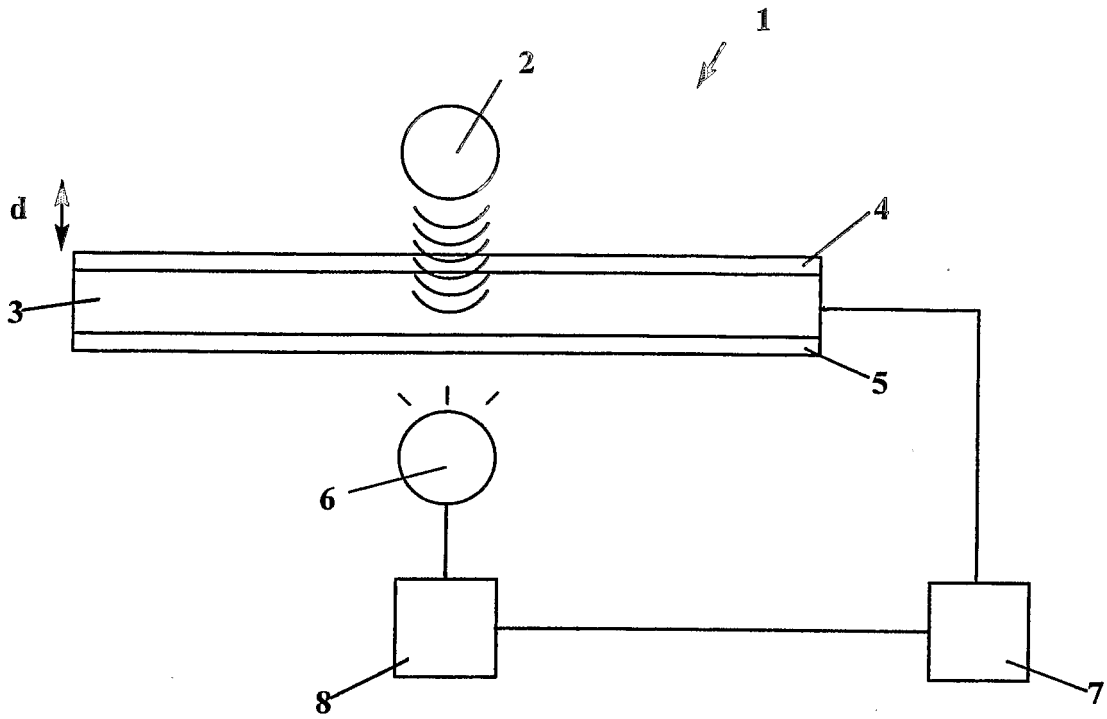


Fig. 1

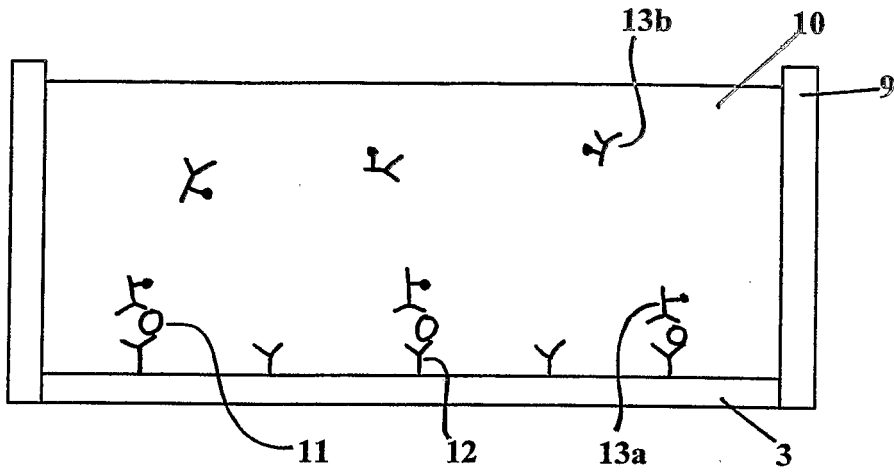


Fig. 2

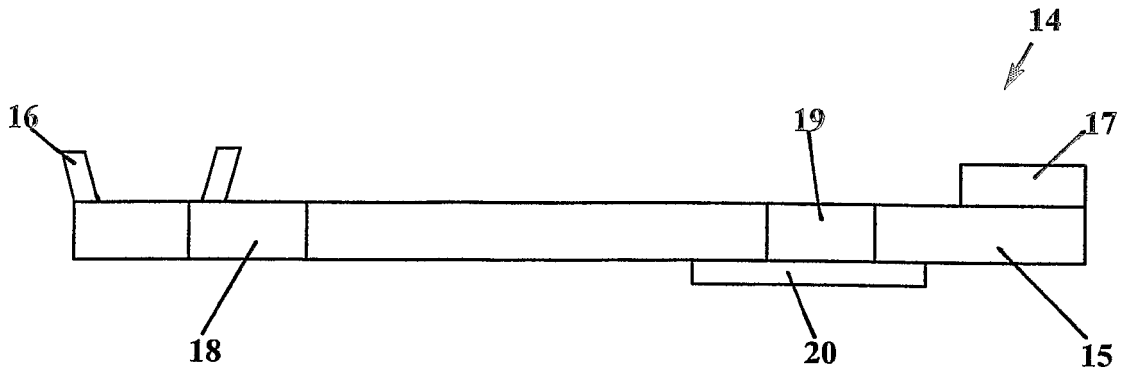


Fig. 3

4/7

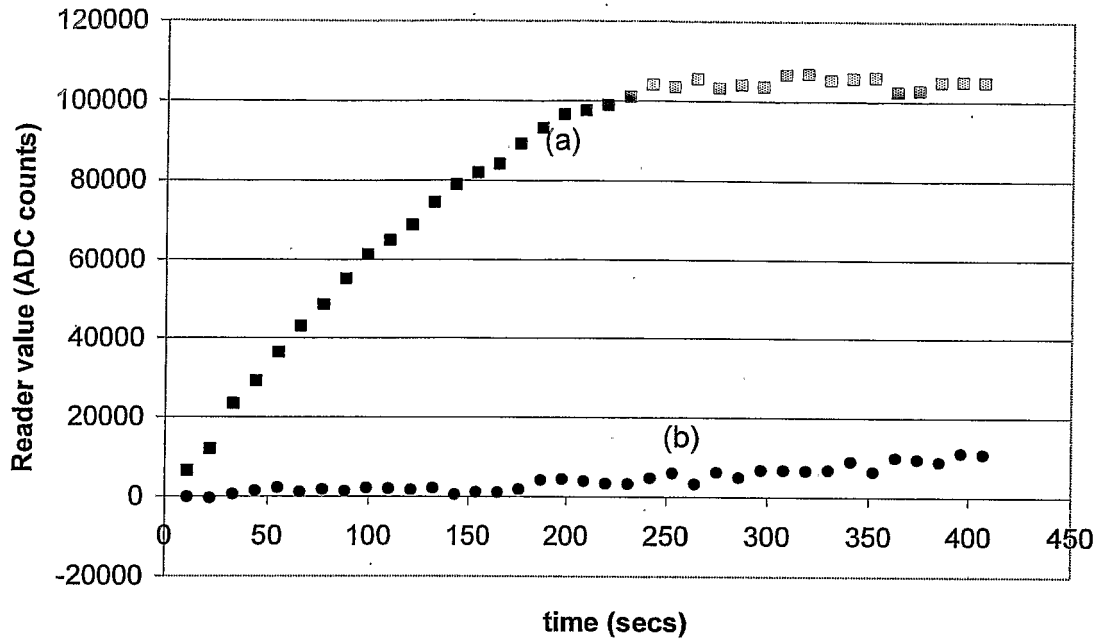


Fig. 4

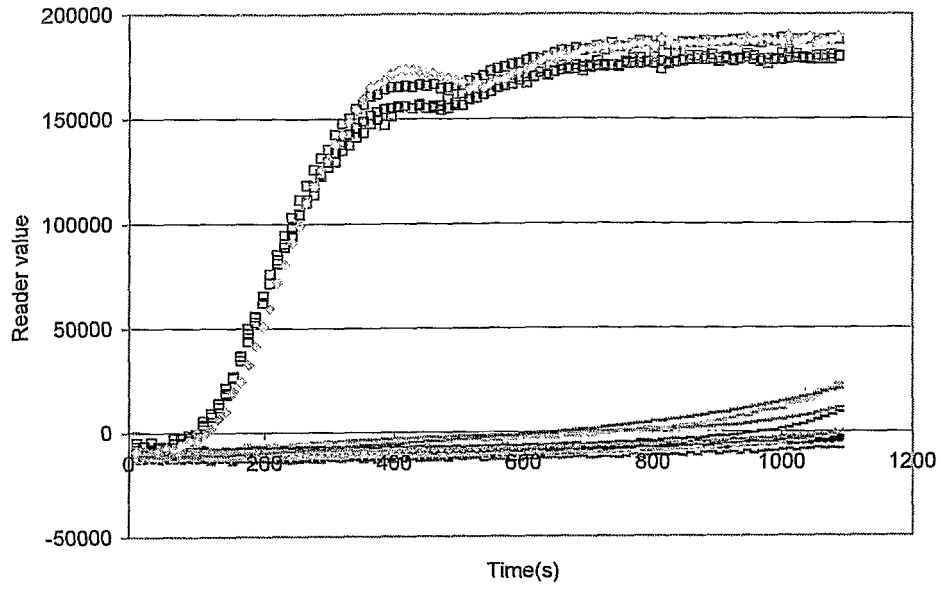


Fig. 5

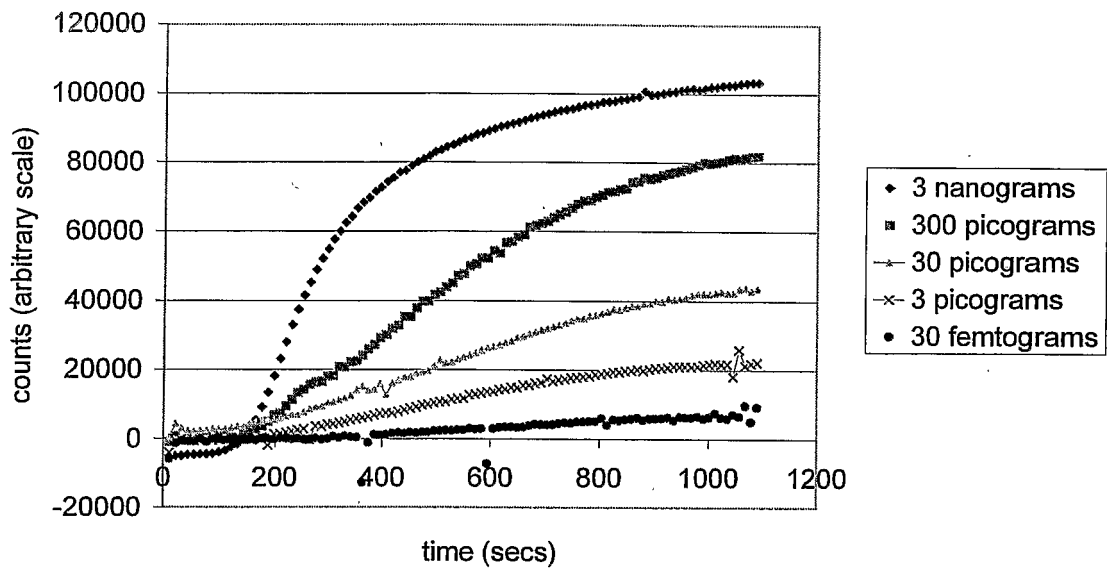


Fig. 6

7/7

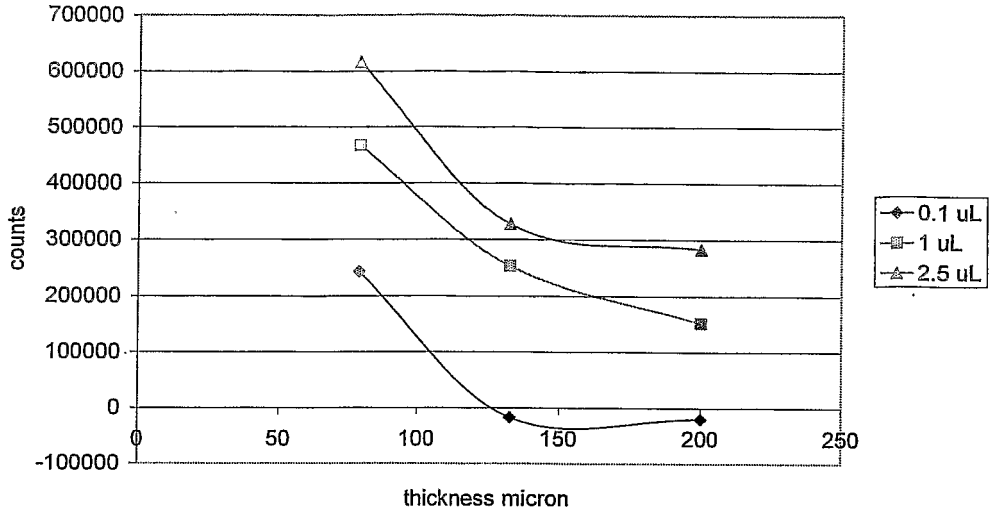


Fig. 7

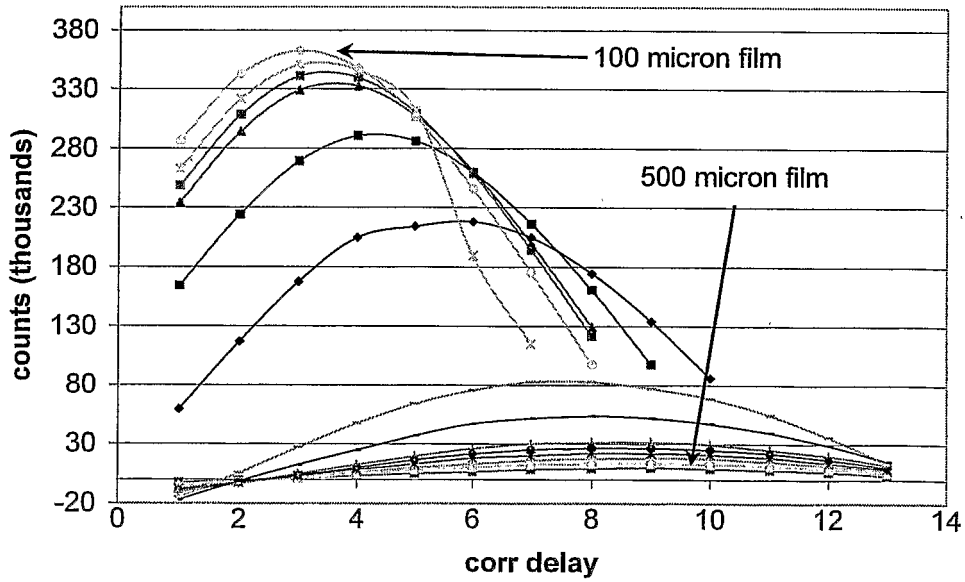


Fig. 8

INTERNATIONAL SEARCH REPORT

PCT/GB2004/001551

A. CLASSIFICATION OF SUBJECT MATTER
 IPC 7 G01N21/17 G01N25/48 G01N33/487 G01N33/53

According to International Patent Classification (IPC) or to both national classification and IPC

B. FIELDS SEARCHED
 Minimum documentation searched (classification system followed by classification symbols)
 IPC 7 G01N

Documentation searched other than minimum documentation to the extent that such documents are included in the fields searched

Electronic data base consulted during the international search (name of data base and, where practical, search terms used)
 EPO-Internal, PAJ, WPI Data, BIOSIS, INSPEC

C. DOCUMENTS CONSIDERED TO BE RELEVANT

Category °	Citation of document, with indication, where appropriate, of the relevant passages	Relevant to claim No.
X	WO 90/13017 A (HEALTH LAB SERVICE BOARD) 1 November 1990 (1990-11-01) cited in the application page 4, line 17 - line 19 page 5, line 10 -page 6, line 24; figure 1	1-10, 13-15, 18-29
X	GIBSON C A ET AL: "Kinetic factors in the response of piezo-optical chemical monitoring devices" SENSORS AND ACTUATORS B, ELSEVIER SEQUOIA S.A., LAUSANNE, CH, vol. 51, no. 1-3, 31 August 1998 (1998-08-31), pages 238-243, XP004154016 ISSN: 0925-4005 the whole document	1,2,9, 11-16, 19,20, 27,28

Further documents are listed in the continuation of box C. Patent family members are listed in annex.

° Special categories of cited documents :

<p>*A* document defining the general state of the art which is not considered to be of particular relevance</p> <p>*E* earlier document but published on or after the international filing date</p> <p>*L* document which may throw doubts on priority claim(s) or which is cited to establish the publication date of another citation or other special reason (as specified)</p> <p>*O* document referring to an oral disclosure, use, exhibition or other means</p> <p>*P* document published prior to the international filing date but later than the priority date claimed</p>	<p>*T* later document published after the international filing date or priority date and not in conflict with the application but cited to understand the principle or theory underlying the invention</p> <p>*X* document of particular relevance; the claimed invention cannot be considered novel or cannot be considered to involve an inventive step when the document is taken alone</p> <p>*Y* document of particular relevance; the claimed invention cannot be considered to involve an inventive step when the document is combined with one or more other such documents, such combination being obvious to a person skilled in the art.</p> <p>* & * document member of the same patent family</p>
--	--

Date of the actual completion of the international search 15 July 2004	Date of mailing of the international search report 26/07/2004
--	---

Name and mailing address of the ISA European Patent Office, P.B. 5818 Patentlaan 2 NL - 2280 HV Rijswijk Tel. (+31-70) 340-2040, Tx. 31 651 epo nl, Fax: (+31-70) 340-3016	Authorized officer Duijs, E
--	---

INTERNATIONAL SEARCH REPORT

PCT/GB2004/001551

C.(Continuation) DOCUMENTS CONSIDERED TO BE RELEVANT		
Category *	Citation of document, with indication, where appropriate, of the relevant passages	Relevant to claim No.
X	<p>WRIGHT J D ET AL: "Development of a piezo-optical chemical monitoring system" SENSORS AND ACTUATORS B, ELSEVIER SEQUOIA S.A., LAUSANNE, CH, vol. 51, no. 1-3, 31 August 1998 (1998-08-31), pages 121-130, XP004153998 ISSN: 0925-4005 the whole document</p> <p style="text-align: center;">---</p>	1,2,9, 13-16, 19,20, 27,28
X	<p>FR 2 715 226 A (UNIV REIMS CHAMPAGNE ARDENNE) 21 July 1995 (1995-07-21) page 1, line 1 - line 10; figures 1,2,5,7 page 4, line 5 - line 27 page 5, line 23 -page 6, line 16 page 8, line 8 - line 31 page 10, line 17 - line 31 page 13, line 30 - line 32 page 14, line 4 -page 15, line 1</p> <p style="text-align: center;">---</p>	1,9,13, 16
A	<p>US 6 403 944 B1 (MACKENZIE HUGH ALEXANDER ET AL) 11 June 2002 (2002-06-11)</p> <p>column 10, line 51 -column 11, line 1</p> <p style="text-align: center;">---</p>	1,2,9, 11,12, 19,20,28
A	<p>EP 0 049 918 A (HELANDER PER ;MCQUEEN DOUGLAS (SE); LUNDSTROEM INGEMAR (SE)) 21 April 1982 (1982-04-21) page 3 -page 7; figures 1,2</p> <p style="text-align: center;">---</p>	1,9,16, 19,20,28
A	<p>VISSER E P ET AL: "MEASUREMENT OF THERMAL DIFFUSION IN THIN FILMS USING A MODULATED LASER TECHNIQUE: APPLICATION TO CHEMICAL-VAPOR-DEPOSITED DIAMOND FILMS" JOURNAL OF APPLIED PHYSICS, AMERICAN INSTITUTE OF PHYSICS. NEW YORK, US, vol. 71, no. 7, 1 April 1992 (1992-04-01), pages 3238-3248, XP000295978 ISSN: 0021-8979 paragraph '00II!; figures 1,3,5</p> <p style="text-align: center;">-----</p>	

INTERNATIONAL SEARCH REPORT

Information on patent family members

PCT/GB2004/001551

Patent document cited in search report	A	Publication date	Patent family member(s)	Publication date
WO 9013017	A	01-11-1990	AT 212439 T	15-02-2002
			AU 655913 B2	19-01-1995
			AU 5568590 A	16-11-1990
			CA 2054702 A1	28-10-1990
			DE 69033904 D1	14-03-2002
			DE 69033904 T2	11-07-2002
			DK 470164 T3	13-05-2002
			EP 0470164 A1	12-02-1992
			ES 2166751 T3	01-05-2002
			WO 9013017 A1	01-11-1990
			JP 2939891 B2	25-08-1999
			JP 4504904 T	27-08-1992
			US 5622868 A	22-04-1997
			ZA 9003214 A	27-03-1991
			<hr/>	
FR 2715226	A	21-07-1995	FR 2715226 A1	21-07-1995
<hr/>				
US 6403944	B1	11-06-2002	AU 6407998 A	22-09-1998
			CA 2282855 A1	11-09-1998
			EP 0967913 A1	05-01-2000
			GB 2357844 A	04-07-2001
			GB 2357845 A ,B	04-07-2001
			GB 2357846 A ,B	04-07-2001
			WO 9838904 A1	11-09-1998
			GB 2322941 A ,B	09-09-1998
			JP 2001526557 T	18-12-2001
			US 2003010898 A1	16-01-2003
<hr/>				
EP 0049918	A	21-04-1982	SE 424024 B	21-06-1982
			AT 21280 T	15-08-1986
			CA 1173265 A1	28-08-1984
			DE 3175067 D1	11-09-1986
			DK 447681 A ,B,	11-04-1982
			EP 0049918 A1	21-04-1982
			JP 57093242 A	10-06-1982
			NO 813399 A ,B,	13-04-1982
			SE 8007105 A	11-04-1982

专利名称(译)	具有热电或压电传感器的光学化学传感装置		
公开(公告)号	EP1613947A1	公开(公告)日	2006-01-11
申请号	EP2004726537	申请日	2004-04-08
[标]申请(专利权)人(译)	PIEZOPTIC		
申请(专利权)人(译)	PIEZOPTIC有限公司		
当前申请(专利权)人(译)	PIEZOPTIC有限公司		
[标]发明人	CARTER TIMOTHY JOSEPH NICHOLAS PIEZOPTIC LTD ROSS STEVEN ANDREW C O PIEZOPTIC LIMITED		
发明人	CARTER, TIMOTHY, JOSEPH, NICHOLAS, PIEZOPTIC LTD. ROSS, STEVEN, ANDREW, C/O PIEZOPTIC LIMITED		
IPC分类号	G01N21/17 G01N25/48 G01N33/487 G01N33/53 G01N29/24 G01N33/543		
CPC分类号	G01N21/1702 G01N21/171 G01N25/482 G01N29/2418 G01N33/54366 G01N2021/1708 G01J5/00 G01N21/63		
优先权	2003008324 2003-04-10 GB		
其他公开文献	EP1613947B1		
外部链接	Espacenet		

摘要(译)

本发明涉及一种装置(1)，用于检测在电磁辐射照射下在物质(2)中产生的非辐射衰变产生的能量。装置(1)包括适于产生一系列电磁辐射脉冲的辐射源(6)，具有热电或压电元件的换能器(3)和能够转换由其产生的能量的电极(4,5)。物质(2)成为电信号，检测器(7)能够检测由换能器(3)产生的电信号。检测器(7)适于确定来自辐射源(6)的每个电磁辐射脉冲与电信号的产生之间的时间延迟。装置(1)在测定和监测领域具有广泛的适用性。