



(43) International Publication Date
27 November 2014 (27.11.2014)

(51) International Patent Classification:

H04B 11/00 (2006.01) *H04R 1/00* (2006.01)
H04L 41/00 (2006.01) *H04R 3/00* (2006.01)

(21) International Application Number:

PCT/US2014/039449

(22) International Filing Date:

23 May 2014 (23.05.2014)

(25) Filing Language:

English

(26) Publication Language:

English

(30) Priority Data:

61/827,524 24 May 2013 (24.05.2013) US

(71) Applicant: FUJIFILM SONOSITE, INC. [US/US];
21919 30th Drive SE, Bothell, WA 98021 (US).

(72) Inventors: RIEDER, Eric; 16 Bishop Court, Georgetown,
Ontario L7G 6G8 (CA). CHAGGARES, Nicholas, Chis-
topher; 700 Garden Street, Whiby, Ontario L7G 7B3
(CA).

(74) Agents: TULLETT, Rodney C. et al.; Perkins Coie LLP,
P.O. Box 1247, Seattle, WA 98111-1247 (US).

(81) Designated States (unless otherwise indicated, for every
kind of national protection available): AE, AG, AL, AM,
AO, AT, AU, AZ, BA, BB, BG, BH, BN, BR, BW, BY,

BZ, CA, CH, CL, CN, CO, CR, CU, CZ, DE, DK, DM,
DO, DZ, EC, EE, EG, ES, FI, GB, GD, GE, GH, GM, GT,
HN, HR, HU, ID, IL, IN, IR, IS, JP, KE, KG, KN, KP, KR,
KZ, LA, LC, LK, LR, LS, LT, LU, LY, MA, MD, ME,
MG, MK, MN, MW, MX, MY, MZ, NA, NG, NI, NO, NZ,
OM, PA, PE, PG, PH, PL, PT, QA, RO, RS, RU, RW, SA,
SC, SD, SE, SG, SK, SL, SM, ST, SV, SY, TH, TJ, TM,
TN, TR, TT, TZ, UA, UG, US, UZ, VC, VN, ZA, ZM,
ZW.

(84) Designated States (unless otherwise indicated, for every
kind of regional protection available): ARIPO (BW, GH,
GM, KE, LR, LS, MW, MZ, NA, RW, SD, SL, SZ, TZ,
UG, ZM, ZW), Eurasian (AM, AZ, BY, KG, KZ, RU, TJ,
TM), European (AL, AT, BE, BG, CH, CY, CZ, DE, DK,
EE, ES, FI, FR, GB, GR, HR, HU, IE, IS, IT, LT, LU, LV,
MC, MK, MT, NL, NO, PL, PT, RO, RS, SE, SI, SK, SM,
TR), OAPI (BF, BJ, CF, CG, CI, CM, GA, GN, GQ, GW,
KM, ML, MR, NE, SN, TD, TG).

Published:

- with international search report (Art. 21(3))
- before the expiration of the time limit for amending the
claims and to be republished in the event of receipt of
amendments (Rule 48.2(h))

(54) Title: HIGH FREQUENCY ULTRASOUND PROBE

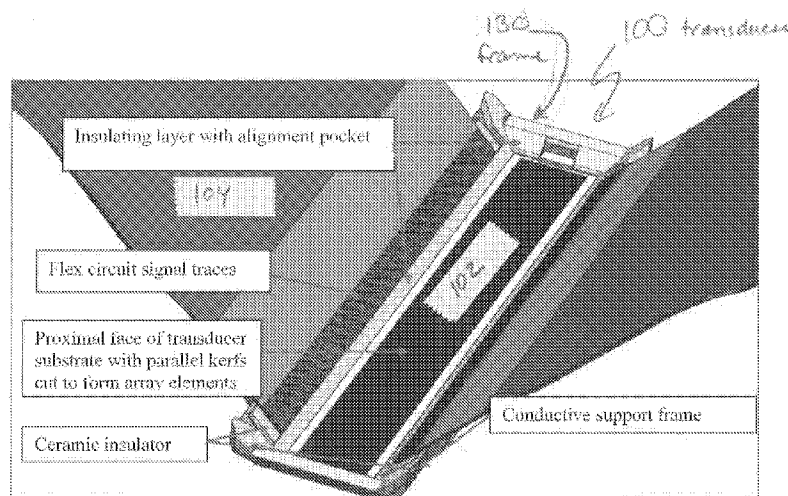


Figure 1: Flexible PCBs bonded to a ceramic insulator in turn bonded into a pocket formed in the insulating upper portion of a conductive support structure (hybrid tapered support).

(57) Abstract: A high frequency ultrasound probe includes a substrate having a number of transducer elements on it and a ground plane that is electrically coupled by one or more vias to a conductive frame that supports the substrate. The conductive frame is electrically coupled to a ground plane of a printed circuit having conductors that are coupled to the transducer elements.

WO 2014/190326 A1

HIGH FREQUENCY ULTRASOUND PROBE

CROSS-REFERENCES TO RELATED APPLICATIONS

[0001] This application claims benefit of and priority to United States Provisional Patent Application Serial No. 61/827,524, filed on May 24, 2013, and entitled "HIGH FREQUENCY ULTRASOUND PROBE," which is hereby incorporated herein in its entirety by reference.

TECHNICAL FIELD

[0002] The disclosed technology generally relates to the fields of ultrasonic transducers and medical diagnostic imaging. More specifically, the disclosed technology relates to high frequency ultrasonic transducers and corresponding methods of assembly.

BACKGROUND

[0003] Ultrasonic transducers provide a means for converting electrical energy into acoustic energy and vice versa. When the electrical energy is in the form of an RF signal, a correctly designed transducer can produce ultrasonic signals with the same frequency characteristics as the driving electrical RF signal. Diagnostic ultrasound has traditionally been used at center frequencies ranging from less than 1 MHz to about 10 MHz. One skilled in the art will understand that this frequency spectrum provides a means of imaging biological tissue with resolution ranging from several mm to generally greater than 300 μm and at depths from a few mm down to 10s of cm.

[0004] High frequency ultrasonic transducers are generally ultrasonic transducers with center frequencies above 15 MHz and ranging to over 60 MHz. High frequency ultrasonic transducers provide higher resolution while limiting the maximum depth of penetration, and as such, provide a means of imaging biological tissue from a depth of a fraction of a mm to over 3 cm with resolutions in the 20 μm to over 300 μm range.

[0005] There are many challenges associated with fabricating high frequency ultrasonic transducers that do not arise when working with traditional clinical

ultrasonic transducers that operate at frequencies below about 10 MHz. One skilled in the art will understand that structures generally scale down according to the inverse of the frequency, so that a 50 MHz transducer will have structures about 10 times smaller than a 5 MHz transducer. In some cases, materials or techniques cannot be scaled down to the required size or shape, or in doing so they lose their function and new technologies must be developed or adapted to allow high frequency ultrasonic transducers to be realized. In other cases, entirely new requirements exist when dealing with the higher radio frequency electronic and acoustic signals associated with HFUS transducers.

[0006] RF electrical interconnections require that some form of transmission line be employed to effectively contain the magnetic fields surrounding the signal and ground conductors. One skilled in the art will appreciate that depending on the frequencies being transmitted, and the length of the conductors, electrical impedance matching and shielding techniques must be employed for optimal performance. One skilled in the art will further appreciate that at lower clinical frequencies, such interconnections are highly developed and available in a wide variety of options to the ultrasound system and transducer designers and that such interconnections typically consist of several components as follows: First, a connection to the ultrasound system, which typically consists of a zero insertion force (ZIF) type or other large format connector; second, the electrical cables running from the system connector toward the transducer (typically micro-coaxial transmission lines); third, an interface between the cables and the transducer usually including connectors and/or a printed circuit board; and finally, an interface from the connector or circuit board to each of the transducer elements. This typical set of components is readily available in the industry, with many variations being successfully employed for traditional clinical frequency US transducers.

[0007] One skilled in the art will appreciate that some of these components will readily scale to the higher frequencies associated with HFUS and other will not. Micro-coaxial transmission lines are well suited to the higher frequencies associated with HFUS, and many industry standard connector solutions are applicable at the system end as well. Furthermore, one skilled in the art will know that printed circuit boards can be designed to function at orders of magnitude higher frequencies than those required for HFUS. The challenge for electrically interconnecting HFUS

transducers to the ultrasound system lies principally in the means of making electrical connections to the actual elements of the HFUS array. These elements are very small, fragile, and often limited to strict thermal budgets so that traditional micro electrical interconnection techniques are not suitable for HFUS transducers. Wire bonding, low temperature soldering, and ACF adhesives for example, are widely used technologies for making interconnections to traditional clinical frequency transducers. However, there are limitations to these techniques that make them generally unsuitable for use on HFUS transducers. For example, one skilled in the art will appreciate that wire bonding of interconnections at pitches less than about 100 μm can be challenging, and at pitches below 50 μm become nearly impossible. When process temperature are limited to less than about 100 degrees C, wire bonding is even more challenging. In addition, mechanical forces associated with wire bonding become problematic when substrate thickness is less than about 100 μm . Typical piezoelectric materials suitable for making HFUS transducers must be thinned to about 100 μm down to less than 30 μm for transducers spanning the 15 MHz to 50 MHz center frequency range. These thin substrates tend to crack when wire bonding is attempted. ACF tape and other asymmetrical conductive adhesive systems are not suitable for high reliability connections at pitches below about 200 μm , and also generally require a thermal budget in excess of 120 degrees Celsius, which one skilled in the art will understand, may be problematic for some materials associated with the fabrication of HFUS transducer materials.

[0008] Some HFUS transducers currently employ a grounding system that relies on a copper electrode made from thin conductive foil to be electrically attached to the front (lens side) ground plane of the transducer, and then exit the side of the stack and wrap around toward the flex circuits ground planes.

[0009] The primary challenge of this approach is related to the spacing of the lens to the ground plane of the piezoelectric material. In the conductive foil design, this space is equal to the thickness of the matching layers between the piezoelectric substrate and the lens, for example, in a three matching layer device, three quarter wave matching layers or about 30 μm at 50 MHz up to about 70 μm for 20 MHz (for reference, typical printer paper is 100 μm thick). This necessitates the use of very thin foil attached to the array ground plane with a very thin bond line of conductive epoxy. Preservation of the mechanical integrity of the foil during subsequent lapping

and adhesive/cleaning procedures is very challenging. Other methods might be employed to allow the use of thicker foil, but a secondary limitation of the foil is the risk of causing a delamination of the lens due to forces associated with bending the conductive foil, which are increased as the foil becomes thicker.

[0010] Finally, one skilled in the art will recognize that the conductive foil technique requires that the ground electrode exits the stack structure along the edges, making electrical isolation of the device challenging especially when BF or CF medical device ratings are required. Given these problems, there is a need for improved techniques of making connections to high frequency ultrasound transducer elements.

SUMMARY

[0011] As will be discussed and illustrated below, the disclosed technology relates to a high frequency ultrasound probe for transmitting and receiving high frequency ultrasound signals and methods of assembling such a probe. The probe comprises a substrate with a plurality of high frequency transducers having a ground electrode on an outer face of the transducers and individually connected signal electrodes on an opposite, inner face of each of the transducers. The probe also includes a plurality of vias created around the perimeter of the transducer substrate material, which are electrically connected to the ground electrode on the front outer side of the substrate containing the arrayed transducers. The probe further includes a support structure of which at least a part is electrically conductive, and which exhibits a coefficient of thermal expansion (CTE) that is closely matched to that of the transducer substrate.

BRIEF DESCRIPTION OF THE DRAWINGS

[0012] The invention may be more completely understood in consideration of the accompanying drawings, which are incorporated in and constitute a part of this specification, and together with the description, serve to illustrate the disclosed technology.

[0013] FIG.1 is an isometric view of the complete assembly of the arrayed transducer labeled to illustrate the components of the grounding system in accordance with an embodiment of the disclosed technology;

[0014] FIG.2 is a perspective view of the top of a conductive hybrid support structure in accordance with an embodiment of the disclosed technology;

[0015] FIG.3 is a perspective view of the bottom of the conductive hybrid support structure in accordance with an embodiment of the disclosed technology;

[0016] FIG.4 is a perspective view of the transducer substrate showing the pockets and metal film that will later form the vias in accordance with an embodiment of the disclosed technology;

[0017] FIG.5 is a close up perspective view of the via pockets in accordance with an embodiment of the disclosed technology;

[0018] FIG.6 is a perspective view of the via pockets filled with a conductive epoxy in accordance with an embodiment of the disclosed technology;

[0019] FIG.7 is a perspective view looking down on the signal side of the transducer substrate that has been thinned to the final thickness and showing the final plated and filled vias as they are exposed from the signal side of the substrate in accordance with an embodiment of the disclosed technology;

[0020] FIG.8 illustrates the assembled components of the array transducer showing the ground planes of the flex, not yet connected to the conductive support structure in accordance with an embodiment of the disclosed technology;

[0021] FIG.9 illustrates the fully assembled array transducer showing the ground path connected by conductive adhesive between the flex circuit ground plane and the conductive support structure in accordance with an embodiment of the disclosed technology;

[0022] FIG.10 is a cross section perspective view fully labeled to illustrate the functional parts of the array transducer and the grounding system in accordance with an embodiment of the disclosed technology;

[0023] FIG.11 is a cross section of the grounding system showing the direct path of ground conductors from the common ground plane of the arrayed transducers to the ground plane of the printed circuit board in accordance with an embodiment of the disclosed technology;

[0024] FIG.12 is a perspective view showing signal interconnections, made using the laser etch laser process, in place in an array transducer in accordance with an embodiment of the disclosed technology;

[0025] FIG.13 is a close up perspective view of the signal electrodes at one end of the array showing the need to isolate the signal electrodes from the conductive portion of the support structure used to conduct the ground currents to the ground plane of the flex; in accordance with an embodiment of the disclosed technology;

[0026] FIG.14 shows a perspective view of the cross section of the array and signal electrodes in accordance with an embodiment of the disclosed technology; and

[0027] FIG.15 shows a partial cross section of the arrayed transducer with both the signal electrodes and the ground system in place, illustrating the insulating function of the conductive hybrid support structure.

[0028] The patent or application file contains at least one drawing executed in color. Copies of this patent or patent application publication with color drawing(s) will be provided by the Office upon request and payment of the necessary fee.

DETAILED DESCRIPTION

[0029] To address the above mentioned problems, the technology disclosed herein relates to high frequency ultrasound transducers. As will be discussed in further detail below, one embodiment of an ultrasound probe in accordance with the disclosed technology includes a hybrid support structure having an overall coefficient of thermal expansion that is closely matched to that of a substrate material used to make an array of transducer elements. This allows the support structure to be joined to the transducer substrate without inducing significant stress or strain over the thermal excursions routinely seen by ultrasound transducers.

[0030] In the embodiment shown in Figure 1, a high frequency ultrasound transducer 100 includes a linear (or other shaped) array of transducer elements 102, a cable bundle 104 containing a plurality of RF transmission lines for carrying RF electrical signals between an ultrasound system (not shown) and the arrayed ultrasound transducer elements, and a plurality of electrical interconnections lying between the RF transmission lines and the arrayed transducer elements. A

mechanical housing (not shown) encapsulates some or all of the components included in the ultrasound probe assembly, such as the arrayed transducer elements, an acoustic stack and lens, and the electrical interconnections to the cable bundle.

[0031] In one embodiment the electrical interconnections made between the transducer elements 102 and the transmissions lines of the cable bundle 104 are made according to a Laser Etch Laser (LEL) process as described in U.S. Patent No. 8,316,518 and U.S. Patent Application No. 13/657,783 which are herein incorporated by reference in their entirety.

[0032] As described in the '518 patent, electrical connections are made between a transducer element and a conductor in a flexible circuit or cable bundle by coating the conductors and transducer elements with a particle (e.g. silica) filled epoxy. The area over the transducer elements is exposed and a low fluence laser is used to create trenches in the epoxy where conductors are desired. The number of laser pulses is increased over portions of the flex circuits in order to dig down to the copper conductors in the flex circuits. The channeled epoxy and the transducer elements are then sputter coated with a conductor such as gold. A resist is then placed over the gold. The resist is then removed with a low fluence laser in areas where the gold is to be removed. A wet etch process is then used to remove most of the gold conductor in the areas where it is not desired. A higher fluence laser is used to remove any remaining gold. The resist that is located over the areas where a conductor is desired is then chemically dissolved.

[0033] FUJIFILM Sonosite, Inc. (the assignee of the present applications) developed the Laser-Etch-Laser process (referred to as LEL), which is capable of connecting a standard flexible PCB to an ultrasonic array stack with pitches down to less than 10 μm , and within a thermal budget of < 80 degrees C. LEL-based technology is currently used in all the VSI designed arrays ranging from 90 μm down to 38 μm in pitch, and has proven to be very reliable in the field.

[0034] In one embodiment, two flex circuits 104 are connected to either side of the transducer array. One circuit has conductors for the odd numbered transducer elements while the other printed circuit has conductors for the even numbered

transducer elements. Each printed circuit has conductors with a pitch twice that of the array.

[0035] The techniques described in the '783 application are similar except that a stepped flex circuit is used where conductors in different layers of the flex circuit are spaced farther apart than the distance between adjacent electrode elements. The conductors of the flex circuits are interleaved so that connections can be made at a tighter pitch can be made with having all the conductors on the same layer of a printed circuit.

[0036] While the disclosed embodiment of the transducer probe includes electrical interconnections made using the LEL technique, one skilled in the art will recognize that electrical interconnections between the signal electrodes of the array and the transmission lines of the conductor bungle could be made by alternative methods if space and thermal budgets permit.

[0037] The exemplary high frequency ultrasound probe described herein is designed specifically to address one of the technical challenges specifically associated with making diagnostic images using high frequency ultrasound transducers having a center frequency in the range of at least about 15 MHz and up to about 50 MHz or higher. One skilled in the art will understand that while some state of the art techniques used for making traditional ultrasound probes, having center frequencies between about 1 MHz and 10 MHz, will scale to higher frequencies, others techniques will not. One skilled in the art will also understand that RF transmission lines and grounding techniques must be correctly designed for the frequencies and physical dimensions of a device to provide optimal function, such as minimization of unwanted electrical reflections, maximizing SNR, and providing RF shielding.

[0038] In addition to the challenges associated with electrically connecting each element to the conductor that will carry the driving signal to the transducer, there is a need for providing a good RF ground and adequate shielding to the array. One skilled in the art will understand that electrical grounding of an RF device containing many elements, such as an arrayed HFUS transducer, requires specific characteristics of the ground conductors to ensure low cross talk between elements, high SNR and good noise immunity, and broad band performance ensuring good

signal integrity. Ground currents must be carried away from adjacent elements through low impedance conductive planes rather than wires, as inductance can cause unpredictable behavior and ground bounce can produce unwanted crosstalk between channels. In addition, one skilled in the art will recognize the need to account for controlled impedance transmission lines and impedance matching as well as EMI shielding, both of which influence good RF ground design.

[0039] In the exemplary embodiment described herein, micro machined vias and a ground plane are used to create a low impedance, high quality RF ground in a HF ultrasound transducer. A high frequency ultrasound probe constructed in accordance with the disclosed technology has a high quality, low impedance RF ground plane that is both electrically and spatially efficient and mechanically and thermally robust. One skilled in the art will recognize that each transducer in the scan head can comprise a substrate material consisting of a dielectric electromechanical driver, such as, but not limited to, a piezoelectric ceramic or a ferroelectric relaxor material, a ground electrode adjacent to one face of the driver, and a signal electrode adjacent the opposite face, thus allowing an electric field to be imposed or measured across the thickness of the electromechanical driver. One skilled in the art will also understand that the transducer substrate may also consist of a composite material based on a suitable electromechanical driver material arranged in an advantageous pattern within a matrix of passive dielectric material, such as a polymer, for example an epoxy, to produce an acoustic transducer having properties that are a composite of the driver and matrix materials. One skilled in the art will further understand that this method could readily be applied to any suitable transducer substrate consisting of a dielectric material and having a bounding region for creating vias, or being bounded by a dielectric or insulating material through which vias can be created.

[0040] In one preferred embodiment, the ground electrode is common to all the transducer elements in the array, and is located on the distal face of the transducers and the substrate from which they are formed. Figures 4 and 5 illustrate a transducer substrate 120 in which the transducer elements 102 are formed. One surface (e.g. the outer surface) of the substrate is covered with a conductive material 122 such as gold. The substrate 120 has a number of vias 124 surrounding the perimeter of the substrate. The vias are plated through in order to allow the

conductive material 122 on the outer surface of the substrate to make electrical contact with a ground plane on the flex (or other) circuit that holds the transmission lines to drive the transducer elements.

[0041] The conductive material 122 forms a common ground electrode that is overlaid by an acoustic stack typically consisting of one or more matching layers and a lens. Figure 15 shows a cross-section of an assembled ultrasound probe including substrate 120, the vias 124, a matching layer 126 positioned over the substrate and a lens 128 positioned over the matching layer 126 all of which are secured to a conductive frame 130. One skilled in the art will understand that a variety of acoustic stacks and or lens configurations are possible.

[0042] In the exemplary embodiment, the ground plane formed by the conductive material 122 is shown to be on the distal face of the arrayed transducers and to be a common ground plane across the complete array of transducers (See figure 4 and figure 10). The common planar electrode provides a low impedance path to ground, and provides RF shielding for the signal electrodes located on the proximal face of the array. The ground plane located on the distal face of the transducer substrate is electrically connected to a conductive frame 130 (Figure 3) by the plurality of conductive vias 124 located along the perimeter of the substrate 120 as shown in Figures 4 through 7.

[0043] The conductive vias 124 are created by making pockets in the transducer substrate 120 and then depositing an electrode material over the entire outer face of the arrayed transducers, and conformally coating the inner faces of the via pockets 124 as shown in Figures 4 and 5. The pockets can be created by any means capable of micromachining ceramics, such as reactive ion etching, laser ablation, or conventional micromachining. In the exemplary embodiment, laser machined vias 124 have slightly tapered walls in the pockets to prevent shadowing during deposition of metal electrodes on the walls of the pockets. The pockets of the vias 124 are then filled with a conductive material, such as conductive epoxy, or any conductive matrix that will adhere to the inner faces of the pocket (see Figure 6). Finally, during the processing of the arrayed transducers, the transducer substrate 120 is thinned to the required dimension to achieve the required ultrasonic resonance in the transducers, for example, about 30 μm for a 50 MHz transducer.

[0044] By ensuring that the pocket is deeper than the final thickness of the transducer substrate, the vias 124 are fully realized when the transducer substrate is thinned to the final dimension as shown in Figure 7. By metalizing the vias before filling them with a conductive material, one ensures that expansion/contraction of the conductive filler material does not result in micro cracking around the perimeter of the vias 124

[0045] The conductive frame 130 is then attached to the proximal face of the transducer substrate using a conductive adhesive, so that the exposed conductive bottom face of the hybrid tapered support overlays the exposed upper surface of the conductive vias 124 (see Figures 10, 11, and 15). . As can be seen in Figures 8, 9 and 11, the vias 124 provide a conductive path from the ground plane of the substrate 120 to the conductive frame 130. A conductive adhesive 150 is then used to electrically couple the conductive frame to the ground plane 107 of the flexible printed circuit 104. This ensures a very low inductance connection between the ground plane on the flexible printed circuit and the conductive frame 130 of the hybrid tapered support. It also ensures that the signal electrodes located on the inner surfaces of the transducer substrate, the hybrid tapered support, and the PCBs are completely surrounded by a ground electrode providing excellent shielding.

[0046] The conductive frame 130 is part of a hybrid support structure referred to as a hybrid tapered support herein. As shown in Figure 2, the hybrid tapered support consists of a conductive outer frame 130 and an insulating insert 140 that is secured to the outer frame by over-molding, adhesive or another technique. The insulating insert 140 includes guiding pockets 142 to assist in aligning the printed flexible circuit to the arrayed transducers (see Figures 2, 3, and 13). The conductive frame 130 is designed to have a coefficient of thermal expansion that closely matches that of the transducer substrate 120. In an exemplary embodiment, in the case of a ceramic substrate, such as PZT or PMN-PT, molybdenum is chosen for the conductive frame, having a CTE of about 4.8 ppm/degree C compared to 4.7 ppm/degree C for PZT. Depending on the expected thermal perturbations that the arrayed transducers are to undergo, a closer CTE match may become more or less important, allowing the choice of different materials. For example, one might also choose engineered nickel iron alloys such as invar and its variants designed to match the CTE of specific materials. Other conductive materials such as graphite based

materials, or plated ceramics could also be suitable so long as the CTE of the frame is closely matched to the transducer substrate over the expected thermal range.

[0047] As best shown in Figure 10, the ground electrode 122 is further extended through the conductive support frame 130 to the ground plane 107 of a flexible printed circuit board 104. The connection to the ground plane is made over a large surface to ensure a low impedance connection to the ground plane. In the exemplary embodiment, conductive adhesive is used to connect the conductive support frame 130 to the ground plane 122 of the transducer substrate 120 (see Figures 8 through 10), although one skilled in the art will understand that alternative methods of connecting the conductive frame to the ground plane could be used, such as soldering, conductive tapes, metallization etc.

[0048] As discussed above, a plurality of signal electrodes are deposited on the proximal face of each transducer, isolated from each other so that each individual transducer in the array can be independently connected to a transmitter/receiver. Each signal electrode is connected to a signal trace located on the signal layer of the flexible printed circuit board, as a means of providing an electrical interconnection between the transducer electrode, and the transmission line cables that carry electrical signals to and from the ultrasound system. As described above, the insulating insert 140 that is secured to the conductive frame 130 provides a non-conductive barrier between the transducer elements 102 and the conductive frame 130.

[0049] Furthermore, in order to ensure that laser micromachining of the signal electrodes is possible without risk exposing sections of the conductive frame through the PCB during laser definition of the electrodes, a thin layer of a barrier strip formed of a ceramic insulator 160 such as alumina, is bonded to the back face of the PCB 104 before bonding the PCB 104 into the pocket on the hybrid tapered support (see Figures 10 and 11). This insulator 160 serves to stiffen and flatten the flexible PCB prior to alignment in to the tapered support making alignment of signal electrodes in the PCB to the arrayed transducers more efficient and accurate. In addition, the ceramic insulator prevents the creation of short circuits between the traces of the printed flex circuit and the conductive frame 130

[0050] One skilled in the art will understand that a conductive frame surrounding the entire perimeter of the arrayed transducer structure will provide additional RF shielding. Furthermore, the use of a conductive ground structure with a high surface area to volume ratio ensures low inductance, and when it is placed in close proximity to all of the array signal conductors ensures minimal impedance for ground currents and therefore better noise rejection compared to using wires to connect the ground from the transducer to the printed circuit ground.

[0051] From the foregoing, it will be appreciated that specific embodiments of the invention have been described herein for purposes of illustration, but that various modifications may be made without deviating from the spirit and scope of the invention. Accordingly, the invention is not limited except as by the appended claims.

CLAIMS

I/We claim:

1. A high frequency ultrasound probe comprising:
a conductive frame having a coefficient of thermal expansion that is closely matched to a transducer substrate;
a substrate having a number of transducer elements on it supported in the conductive frame;
a ground plane on the substrate that is electrically coupled by one or more vias to the conductive frame.
2. The high frequency ultrasound probe of claim 1, further comprising one or more printed circuits having conductors that are coupled to the transducer elements and a ground plane, wherein the ground plane of the printed circuits is electrically coupled to the conductive frame.
3. The high frequency ultrasound probe of claim 2, wherein the ground plane of the printed circuits is electrically coupled to the conductive frame with a conductive adhesive.
4. The high frequency ultrasound probe of claim 2, further comprising a non-conductive barrier strip positioned between the printed circuits and the conductive frame.
5. The high frequency ultrasound probe of claim 1, wherein the conductive frame includes an insulating insert positioned between the conductive frame and the substrate.
6. The high frequency ultrasound probe of claim 1, wherein the conductive frame and the substrate have similar coefficients of thermal expansion.

7. An ultrasound transducer, comprising:
a substrate having a number of transducer elements formed therein, wherein the substrate has a common ground electrode and a number of vias filled with a conductive material;
a conductive frame into which the substrate is fitted, wherein the conductive frame is electrically connected to the ground electrode on the substrate through the vias.
8. The ultrasound transducer of claim 7, wherein the substrate and the conductive frame have similar coefficients of thermal expansion.
9. The ultrasound transducer of claim 7, wherein the vias are positioned around a perimeter of the substrate.
10. The ultrasound transducer wherein the conductive frame has sloped walls configured to support conductors to the transducer elements.

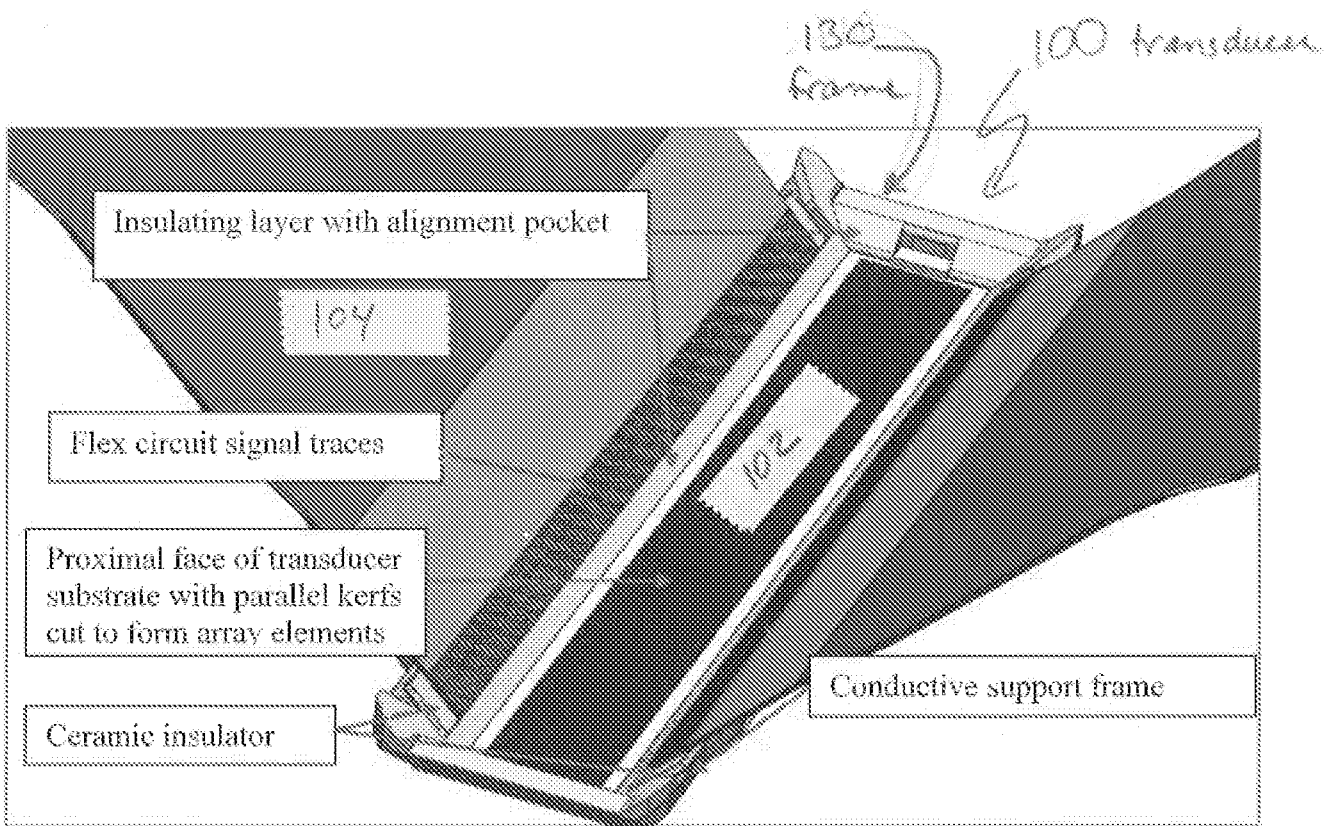


Figure 1: Flexible PCBs bonded to a ceramic insulator in turn bonded into a pocket formed in the insulating upper portion of a conductive support structure (hybrid tapered support).

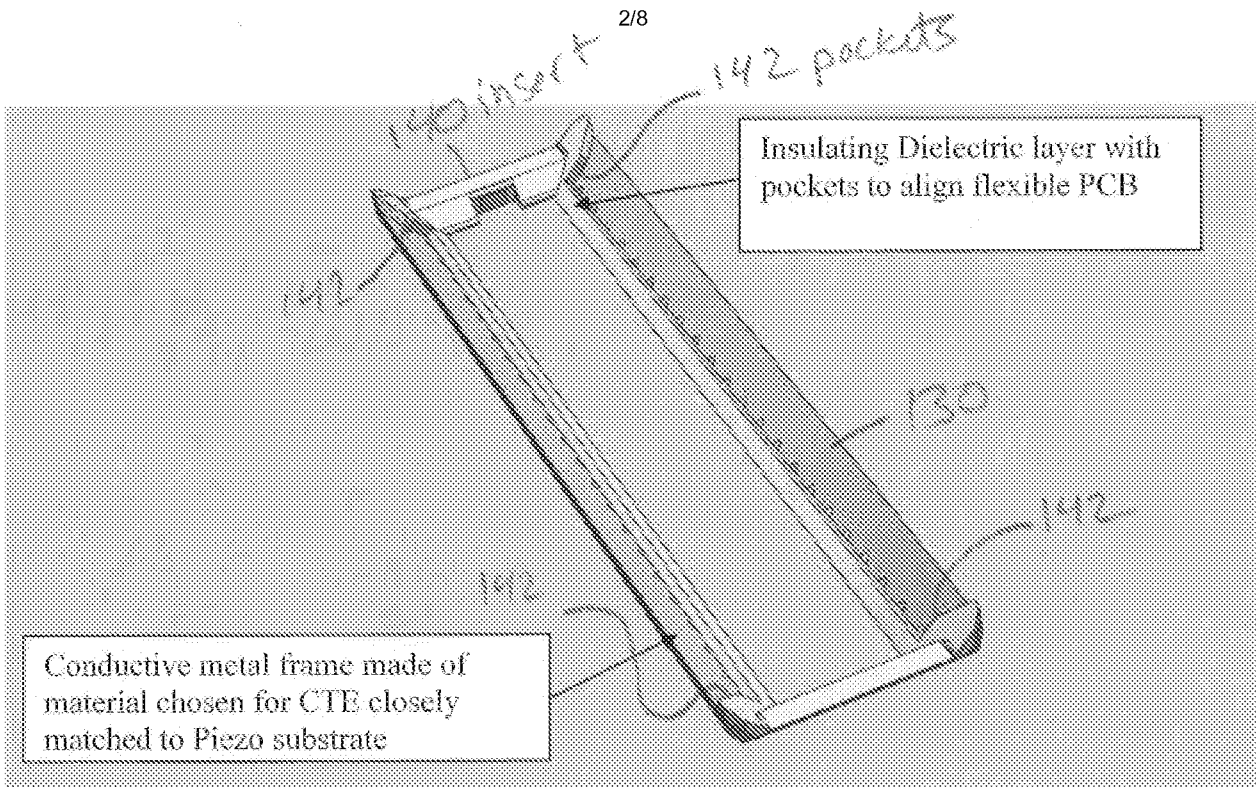


Figure 2: Conductive hybrid tapered support structure - top view

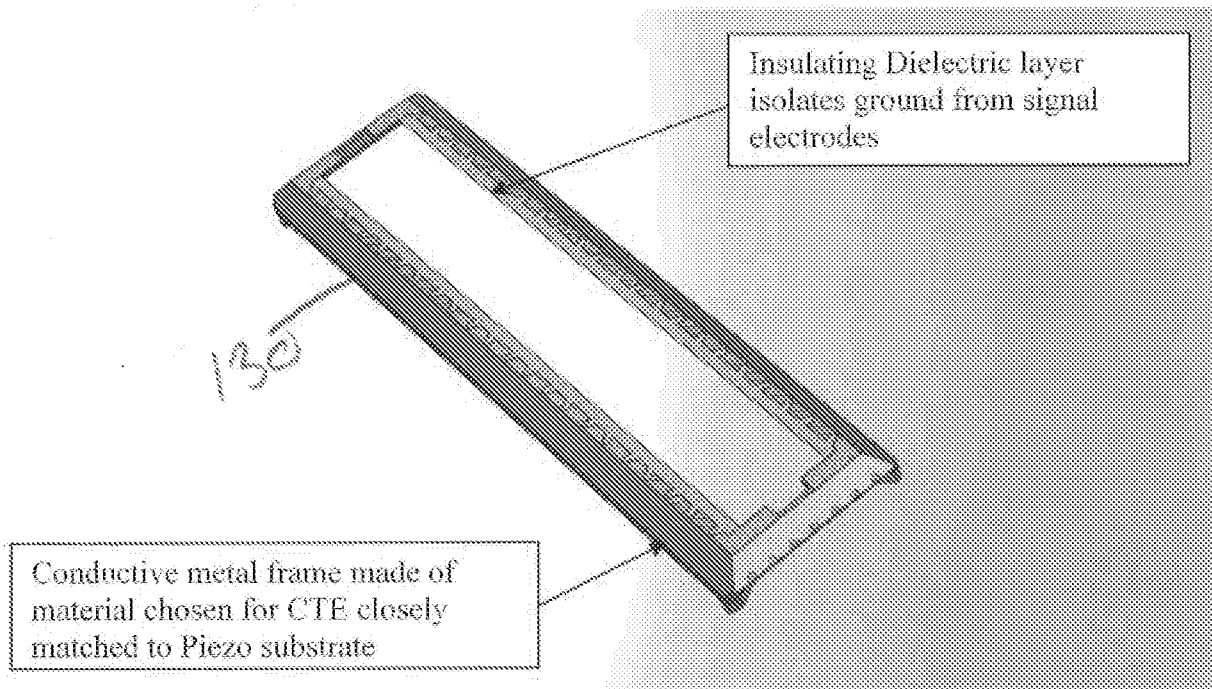


Figure 3: Conductive hybrid tapered support structure - bottom view.

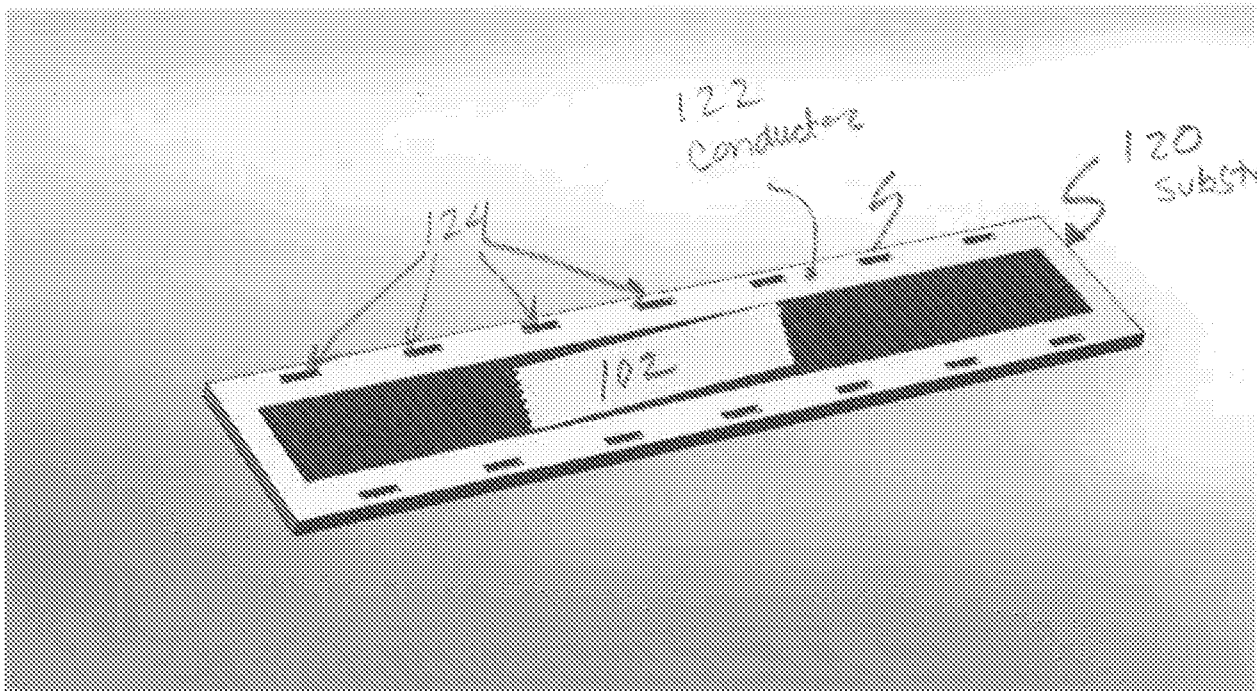


Figure 4: Transducer substrate showing pockets that will form vias with conductive metal film on surface.

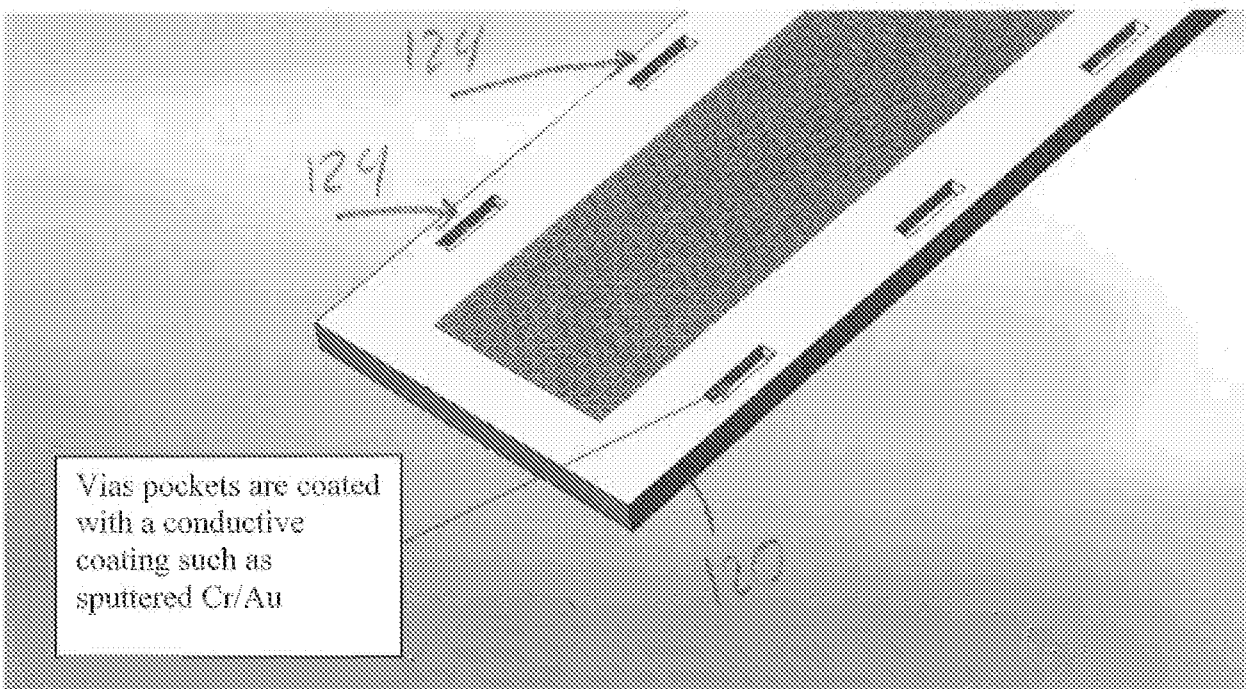


Figure 5: Close up of Via pockets.

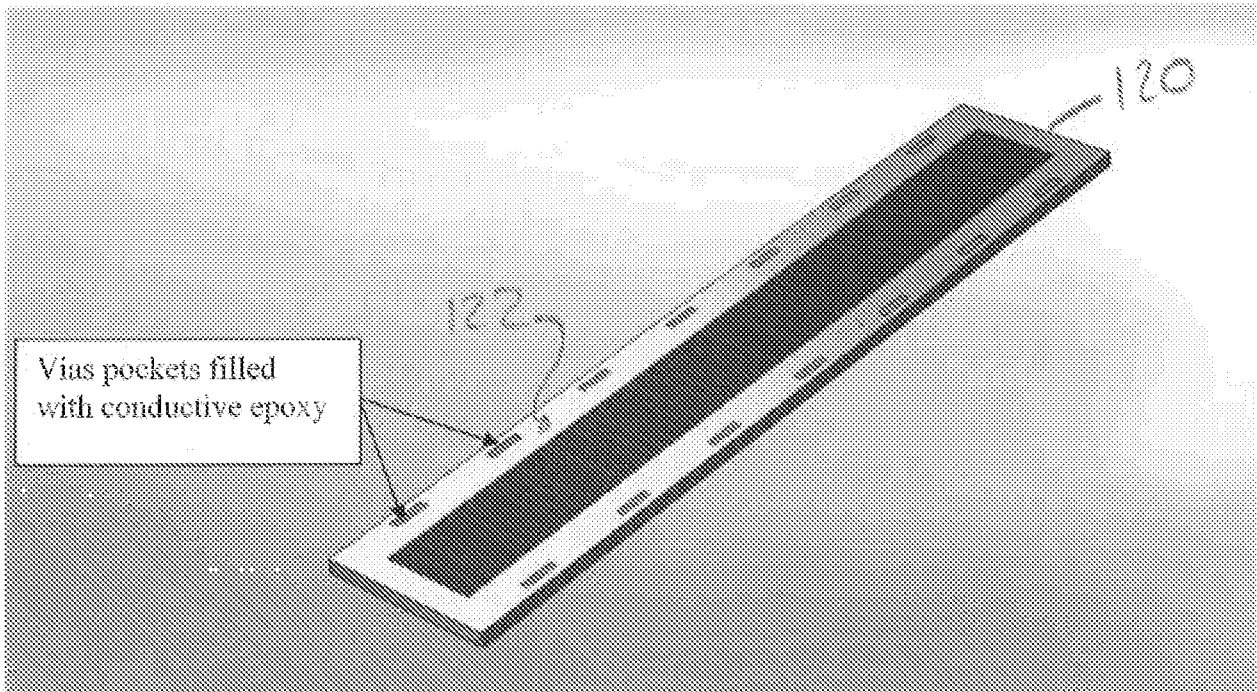


Figure 6: Via pockets filled with conductive epoxy viewed from ground plane side

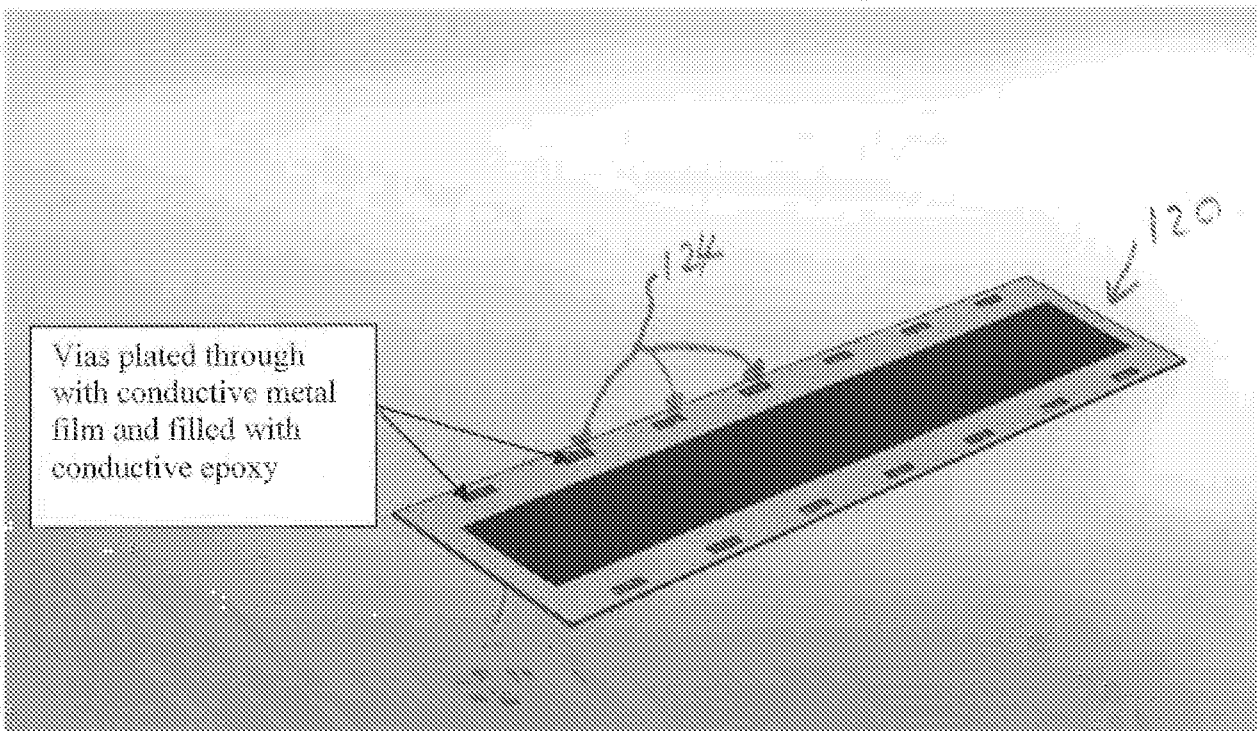


Figure 7: Completed vias viewed from inner (signal electrode) side of transducer substrate after thinning the transducer substrate to the final dimension.

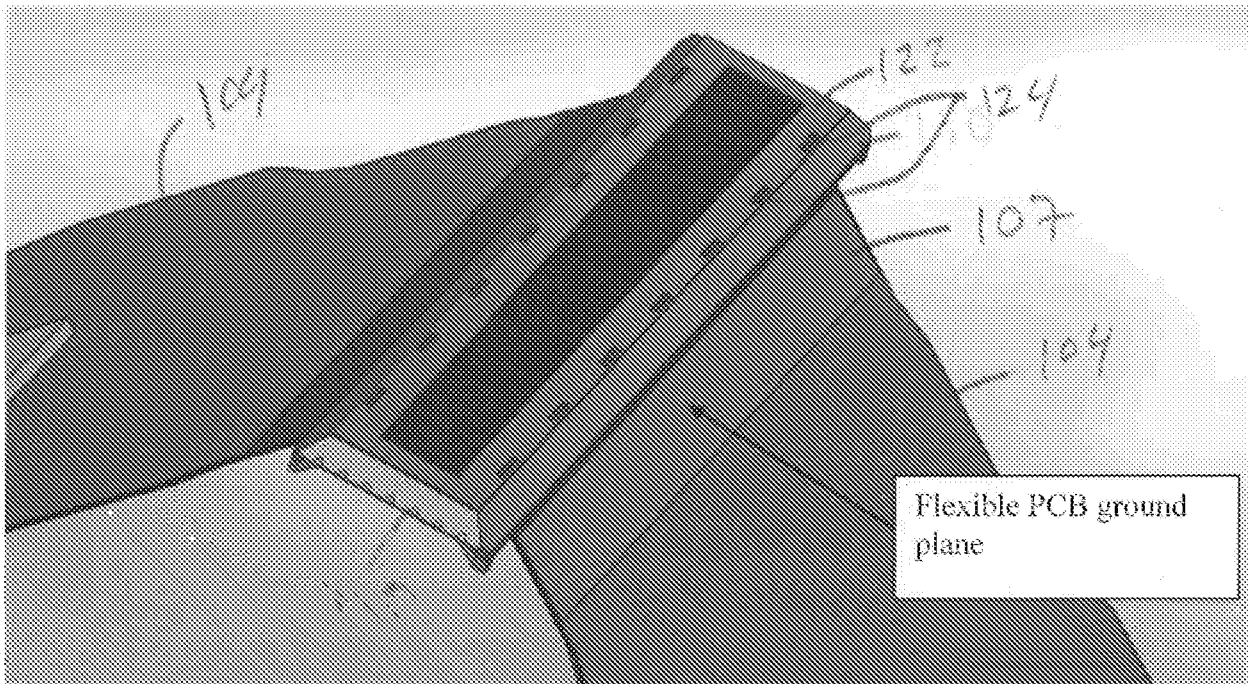


Figure 8: Assembled array transducer with flexible PCBs attached. No electrical connection to ground plane.

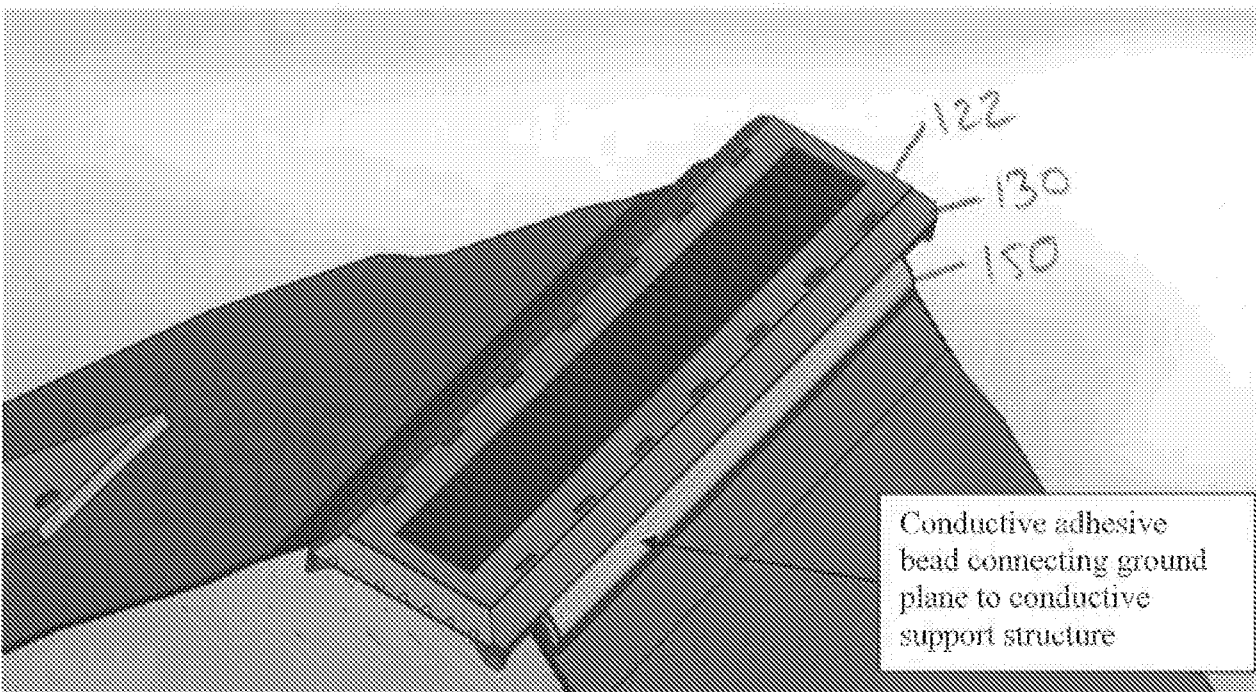


Figure 9: Conductive adhesive used to connect the copper ground plane of the PCB to the conductive support structure

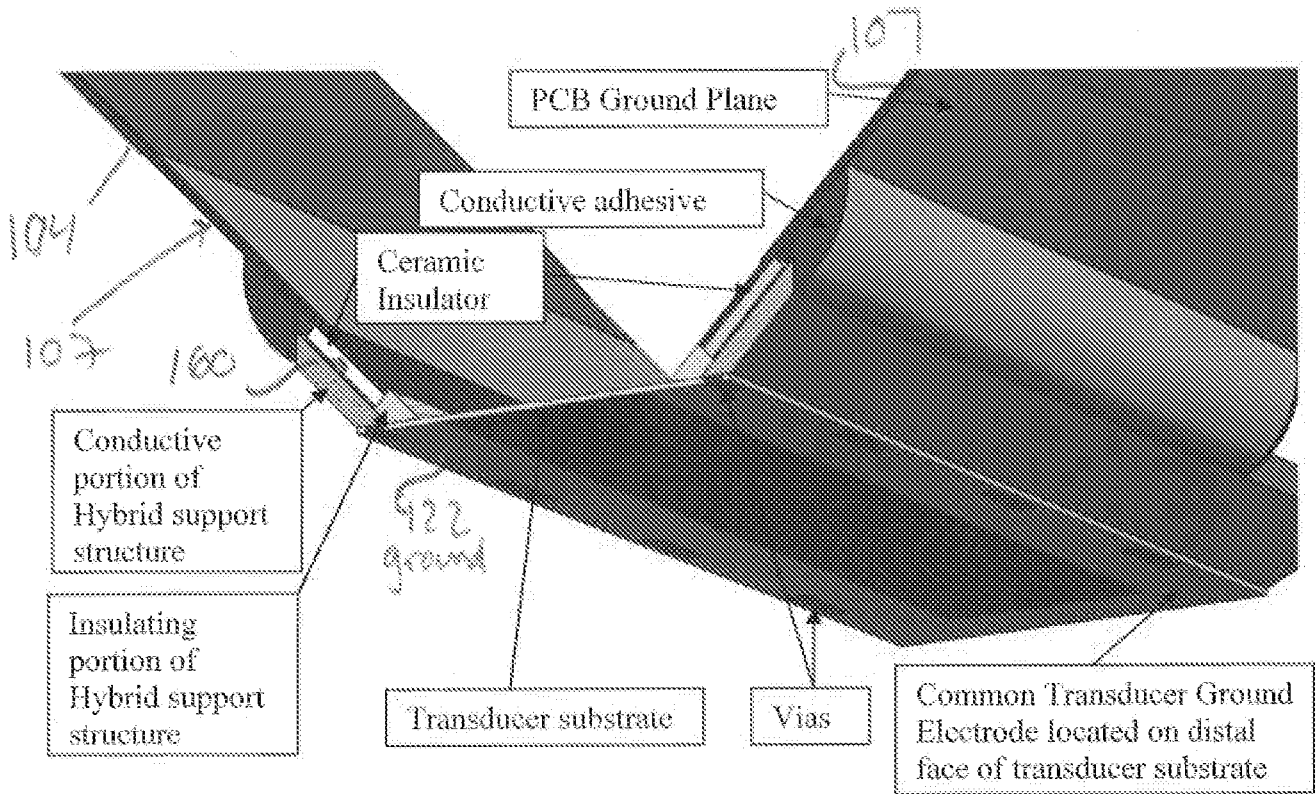


Figure 10: Cross section oblique view showing the vias making connection from the outside facing ground plane to the conductive support structure, then through conductive adhesive and finally to the ground plane of the flexible PCB.

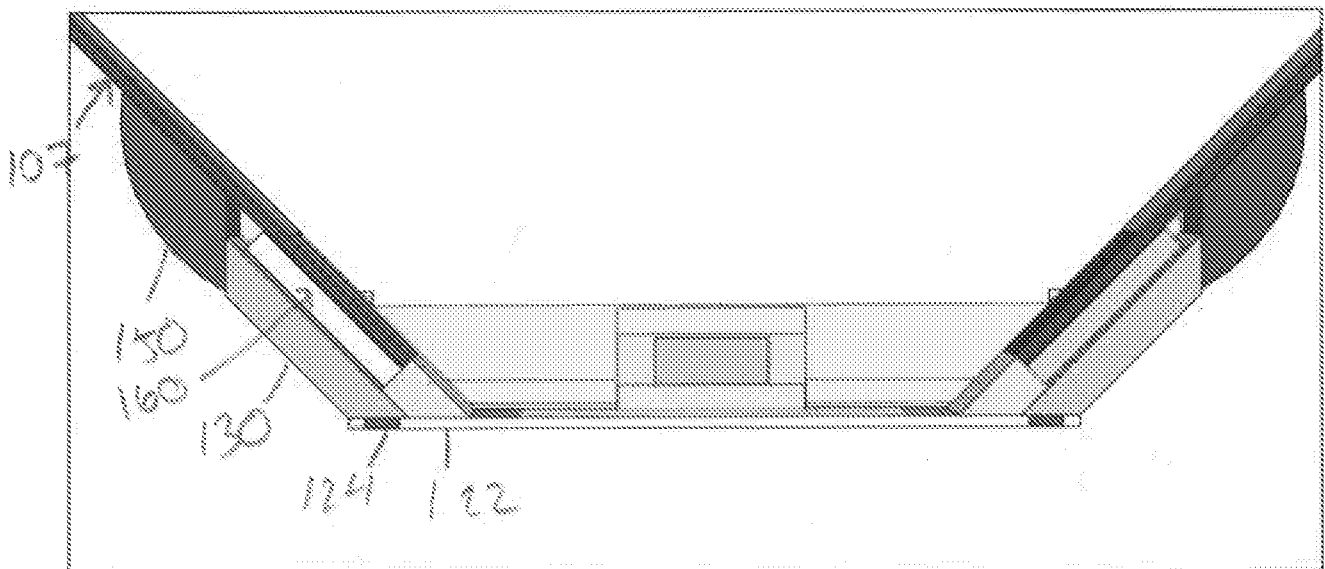


Figure 11: Cross section of grounding system

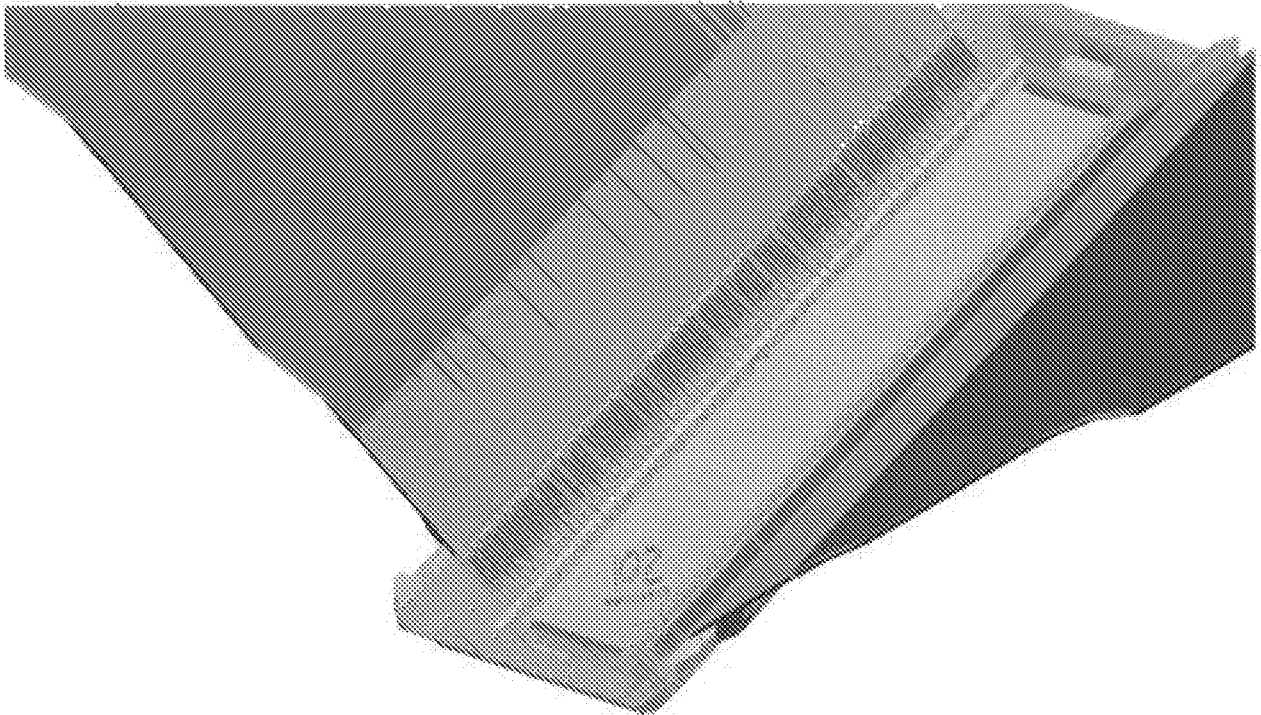


Figure 12: Complete signal electrode pattern in place on array transducer

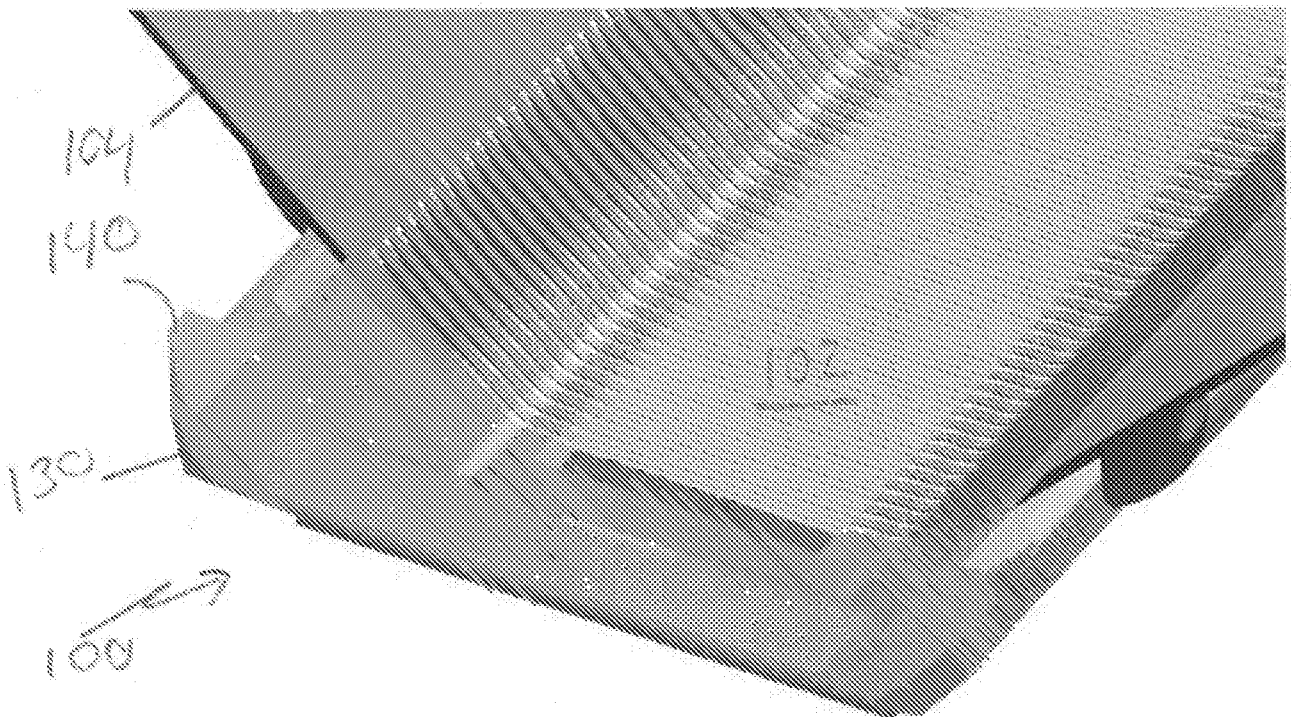


Figure 13: Close up view of Electrodes showing insulation of signal electrodes from ground path through conductive support structure

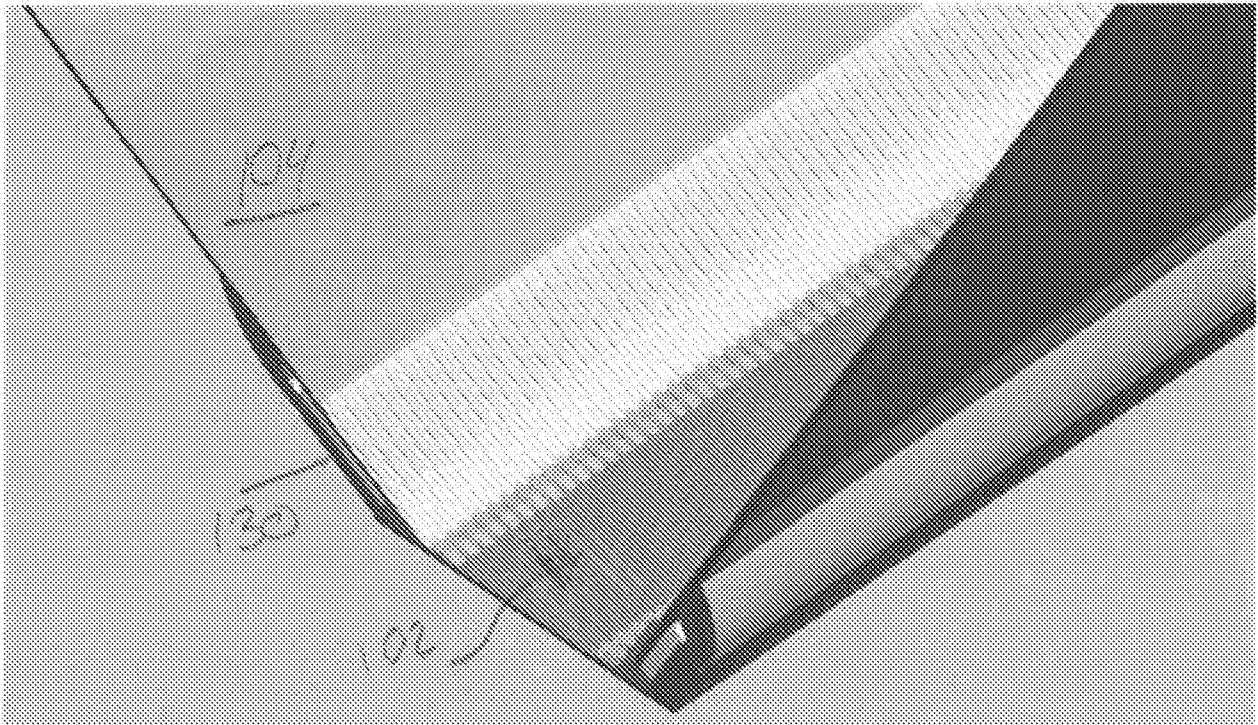


Figure 14: Cross section of array transducer with signal electrodes in place.

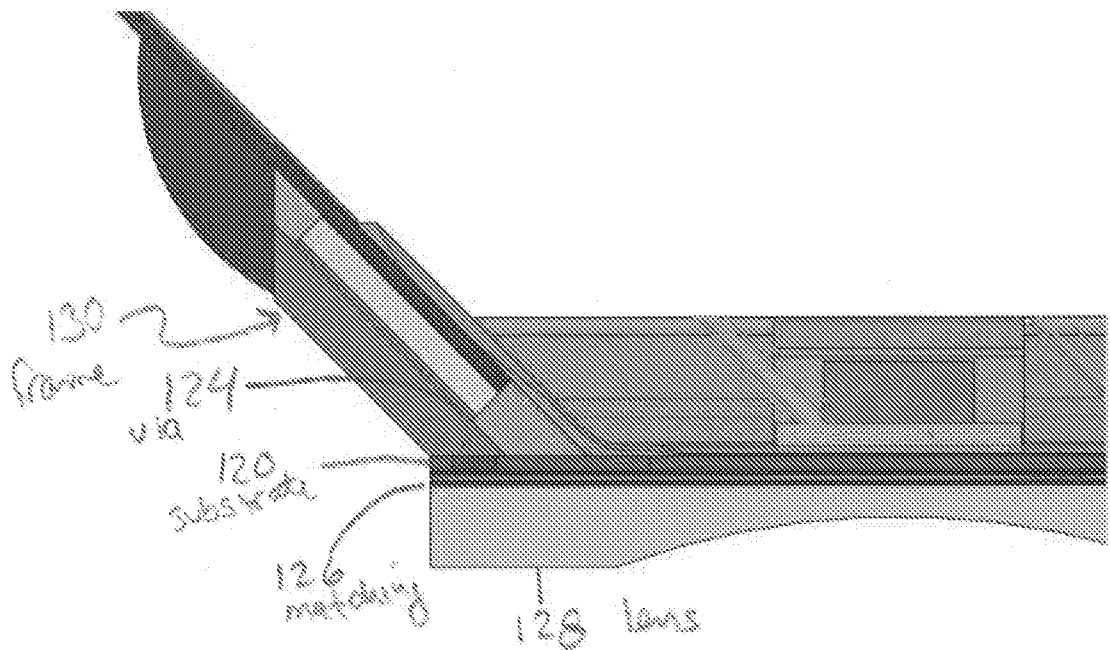


Figure 15: Close up of one side of cross section view of electrically complete array transducer with lens and matching layers, showing ground path with via, and signal electrode with insulating layer of hybrid support structure in place.

INTERNATIONAL SEARCH REPORT

International application No.

PCT/US14/39449

A. CLASSIFICATION OF SUBJECT MATTER

IPC(8) - H04B 11/00; H04L 41/00; H04R 1/00, 3/00 (2014.01)

CPC - H04R 1/00, 3/00

According to International Patent Classification (IPC) or to both national classification and IPC

B. FIELDS SEARCHED

Minimum documentation searched (classification system followed by classification symbols)

IPC(8): H04B 11/00; H04L 41/00; H04R 1/00, 3/00 (2014.01)

CPC: H04R 1/00, 3/00

Documentation searched other than minimum documentation to the extent that such documents are included in the fields searched

Electronic data base consulted during the international search (name of data base and, where practicable, search terms used)

MicroPatent (US-G, US-A, EP-A, EP-B, WO, JP-bib, DE-C.B, DE-A, DE-T, DE-U, GB-A, FR-A); Espacenet; Google/Google Scholar; PubMed/MEDLINE; IP.com: ultrasound*, transducer*, probe*, frequenc*, thermal*, coefficient*, substrate*, print*, circuit*, PCB

C. DOCUMENTS CONSIDERED TO BE RELEVANT

Category*	Citation of document, with indication, where appropriate, of the relevant passages	Relevant to claim No.
X --- Y	US 2012/0098625 A1 (MARTIN, D et al) April 26, 2012; figures 2-3; paragraphs [0023], [0036]-[0037]	1-2, 4-9 ----- 3
X	US 8316518 B2 (LUKACS, M et al) November 27, 2012; figures 12A-12B; ; column 4, lines 1-4; column 14, lines 48-63; column 22, lines 13-17	7, 10
Y	US 2008/0002460 A1 (TUCKERMAN, DB et al) January 3, 2008; paragraphs [0247], [0250]	3
A	US 2007/0293762 A1 (SAWADA, Y et al) December 20, 2007; entire document	1-10
A	US 2009/0193874 A1 (COBIANU, C et al) August 6, 2009; entire document	1-10
A	US 2009/0278217 A1 (LAMING, RI et al) November 12, 2009; entire document	1-10
A	US 2013/0019702 A1 (OBERDOERFER, Y et al) January 24, 2013; paragraph [0023]	1-10
A	WO 2007/061216 A1 (PAIK, KW et al) May 31, 2007; entire document	1-10
A	US 2007/0167820 A1 (HIRAYAMA, M et al) July 19, 2007; paragraph [0010]	1-10

Further documents are listed in the continuation of Box C.

* Special categories of cited documents:

"A" document defining the general state of the art which is not considered to be of particular relevance

"E" earlier application or patent but published on or after the international filing date

"L" document which may throw doubts on priority claim(s) or which is cited to establish the publication date of another citation or other special reason (as specified)

"O" document referring to an oral disclosure, use, exhibition or other means

"P" document published prior to the international filing date but later than the priority date claimed

"T" later document published after the international filing date or priority date and not in conflict with the application but cited to understand the principle or theory underlying the invention

"X" document of particular relevance; the claimed invention cannot be considered novel or cannot be considered to involve an inventive step when the document is taken alone

"Y" document of particular relevance; the claimed invention cannot be considered to involve an inventive step when the document is combined with one or more other such documents, such combination being obvious to a person skilled in the art

"&" document member of the same patent family

Date of the actual completion of the international search

28 September 2014 (28.09.2014)

Date of mailing of the international search report

22 OCT 2014

Name and mailing address of the ISA/US

Mail Stop PCT, Attn: ISA/US, Commissioner for Patents
P.O. Box 1450, Alexandria, Virginia 22313-1450

Facsimile No. 571-273-3201

Authorized officer:

Shane Thomas

PCT Helpdesk: 571-272-4300

PCT OSP: 571-272-7774

专利名称(译)	高频超声探头		
公开(公告)号	EP3005589A4	公开(公告)日	2017-03-01
申请号	EP2014801593	申请日	2014-05-23
[标]申请(专利权)人(译)	富士胶片索诺声公司		
申请(专利权)人(译)	FUJIFILM SONOSITE , INC.		
当前申请(专利权)人(译)	富士胶片公司		
[标]发明人	RIEDER ERIC CHAGGARES NICHOLAS CHISTOPHER		
发明人	RIEDER, ERIC CHAGGARES, NICHOLAS, CHISTOPHER		
IPC分类号	H04B11/00 H04R1/00 H04R3/00 A61B8/00 A61B8/08 B06B1/06		
CPC分类号	A61B8/4494 A61B8/4444 A61B8/4488 A61B8/5207 B06B1/06 B06B1/0622		
优先权	61/827524 2013-05-24 US		
其他公开文献	EP3005589A1		
外部链接	Espacenet		

摘要(译)

高频超声探头包括其上具有多个换能器元件的基板和通过一个或多个通孔电耦合到支撑基板的导电框架的接地平面。导电框架电耦合到印刷电路的接地平面，该印刷电路具有耦合到换能器元件的导体。