

(19) World Intellectual Property Organization
International Bureau



(43) International Publication Date
1 December 2011 (01.12.2011)

(10) International Publication Number
WO 2011/147704 A1

- (51) International Patent Classification:
A61B 8/00 (2006.01) A61K 47/34 (2006.01)
- (21) International Application Number:
PCT/EP2011/057868
- (22) International Filing Date:
16 May 2011 (16.05.2011)
- (25) Filing Language: English
- (26) Publication Language: English
- (30) Priority Data:
10 163 725.4 25 May 2010 (25.05.2010) EP
- (71) Applicant (for all designated States except US): **THER-ACLION SAS** [FR/FR]; Paris Sante Cochin, 29 rue du Faubourg Saint Jacques, F-75014 Paris (FR).
- (72) Inventors; and
- (75) Inventors/Applicants (for US only): **BROCARDO, Roberta** [—/FR]; 62 rue Cantagrel, F-75013 Paris (FR). **PECHOUX, Thierry** [FR/FR]; 40 bis rue Curial, F-75019 Paris (FR).
- (74) Agents: **MÜLLER, Christoph** et al.; Friedtalweg 5, CH-9500 Wil (CH).
- (81) Designated States (unless otherwise indicated, for every kind of national protection available): AE, AG, AL, AM, AO, AT, AU, AZ, BA, BB, BG, BH, BR, BW, BY, BZ, CA, CH, CL, CN, CO, CR, CU, CZ, DE, DK, DM, DO, DZ, EC, EE, EG, ES, FI, GB, GD, GE, GH, GM, GT, HN, HR, HU, ID, IL, IN, IS, JP, KE, KG, KM, KN, KP, KR, KZ, LA, LC, LK, LR, LS, LT, LU, LY, MA, MD, ME, MG, MK, MN, MW, MX, MY, MZ, NA, NG, NI, NO, NZ, OM, PE, PG, PH, PL, PT, RO, RS, RU, SC, SD, SE, SG, SK, SL, SM, ST, SV, SY, TH, TJ, TM, TN, TR, TT, TZ, UA, UG, US, UZ, VC, VN, ZA, ZM, ZW.
- (84) Designated States (unless otherwise indicated, for every kind of regional protection available): ARIPO (BW, GH, GM, KE, LR, LS, MW, MZ, NA, SD, SL, SZ, TZ, UG, ZM, ZW), Eurasian (AM, AZ, BY, KG, KZ, MD, RU, TJ, TM), European (AL, AT, BE, BG, CH, CY, CZ, DE, DK, EE, ES, FI, FR, GB, GR, HR, HU, IE, IS, IT, LT, LU, LV, MC, MK, MT, NL, NO, PL, PT, RO, RS, SE, SI, SK,

[Continued on next page]

(54) Title: ULTRASOUND COUPLING LIQUID AND CONTAINER

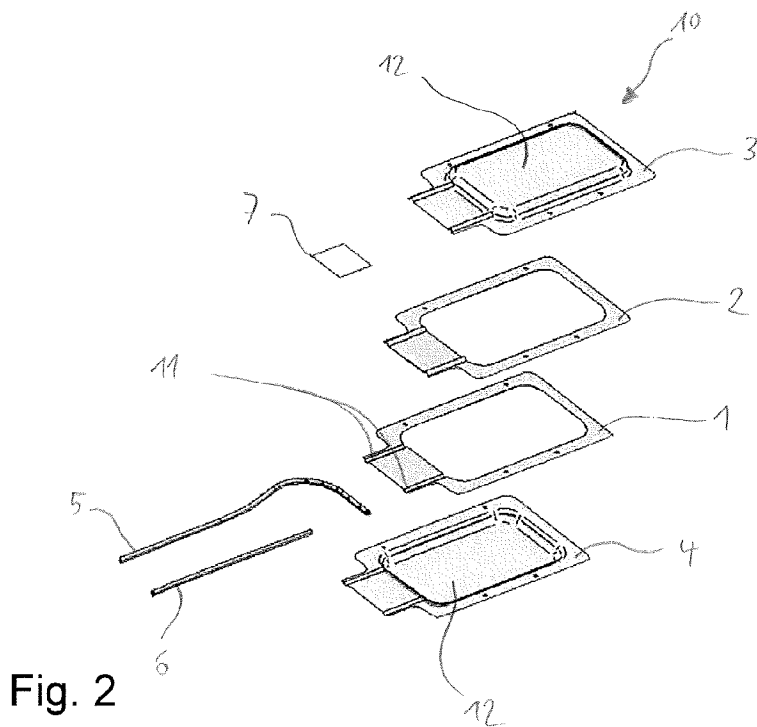


Fig. 2

(57) Abstract: This invention relates to a coupling liquid for ultrasound devices, preferably high intensity focused ultrasound (HIFU). The coupling liquid comprises a liquid aqueous solution of at least one hydrophilic polymer having an average molecular mass of between 30,000 and 70,000 and at least one alcohol with a carbon chain of 1 to 7 carbon atoms. Also disclosed is a container (10) for an ultrasound coupling liquid having a thin wall.

WO 2011/147704 A1



SM, TR), OAPI (BF, BJ, CF, CG, CI, CM, GA, GN, GQ, GW, ML, MR, NE, SN, TD, TG).

— *before the expiration of the time limit for amending the claims and to be republished in the event of receipt of amendments (Rule 48.2(h))*

Published:

— *with international search report (Art. 21(3))*

Ultrasound Coupling liquid and container

This invention relates to a coupling liquid for ultrasound imaging or treatment according to claim 1 as well as to a container filled with a coupling liquid according to claim 7.

The use of ultrasound is known for imaging purposes. But ultrasound may also be used for therapeutic purposes, either for the destruction of concretions by mechanical effect or in order to create lesions in tissue by thermal effect.

In both cases, use of a coupling liquid between the ultrasound transducer and the skin of the patient is advantageous. The coupling liquid ensures proper transmission of ultrasound waves from the ultrasound transducer to the skin. The coupling liquid may be applied directly on the skin, thus forming a bridging layer between the skin and the ultrasound transducer. Such a direct application is mostly used with imaging transducers. Alternatively, the coupling liquid may be contained in a balloon-like cover member affixed on an ultrasound transducer. Such a configuration is mostly used with high intensity focused ultrasound (HIFU) transducers, where the coupling liquid additionally serves as cooling liquid to both cool the transducer and the skin. The coupling liquid is advantageously being constantly cycled through additional cooling means, such as a heat exchanger.

Known coupling liquids are mostly water based hydrogels. Known gelling agents are mostly polymers, for example polyurethanes, polyols and the like.

One major problem with coupling liquids is that when high ultrasound energies are used, e.g. in a HIFU treatment, bubbles are formed in the liquid by a cavitation effect. Such bubbles may

cause problems when additional ultrasound imaging is used to monitor the treatment and/or to position the focal point of the ultrasound waves.

Japanese patent application 2 92343 discloses a coupling product for ultrasound imaging formed by a matrix of porous material like polyurethane which contains an aqueous gel such as polyvinylpyrrolidone.

US 5,078,149 describes an ultrasound coupling product having a recipient containing a polymer gel. The recipient may be attached to the tip of an ultrasound probe to serve as coupling member. The polymer is integrally crosslinked with the recipient.

Such coupling products have the disadvantage that they are not pumpable and thus may not provide any cooling to the ultrasound transducer or the skin.

US 6,432,069 discloses an aqueous coupling liquid comprising a hydrophilic polymer, preferably polyvinylpyrrolidone. The polymer is present in an amount of between 10 and 50 g/L. The liquid is specifically optimized for the use in high energy ultrasound applications, like HIFU treatment, since almost no bubbles are formed due to the cavitation effect. Moreover, as the viscosity of the liquid is below $2 \cdot 10^{-4}$ Pa·s it is readily pumpable and may thus also act as cooling liquid. For this purpose, the coupling liquid is constantly pumped through a cover member covering an ultrasound transducer.

However, at the boundary between the coupling liquid and the cover member and/or skin of the patient, a certain amount of ultrasound waves are reflected due to the different refraction in-

dexes of the materials. Moreover, as some of the used polymers are of organic nature, bacterial and algal growth might occur, thus making a sterilization of the liquid necessary.

It is an objective of the present invention to overcome the disadvantages of the known coupling liquids and especially to provide an ultrasound coupling liquid leading to less reflexion of the ultrasound waves and which is not prone to bacterial or algal growth. This problem is solved with a coupling liquid according to claim 1.

The ultrasound coupling liquid of the present invention comprises:

- a liquid aqueous solution of at least one hydrophilic polymer having an average molecular mass of between 30,000 and 75,000
- at least one alcohol with a carbon chain of 1 to 7 carbon atoms

A "hydrophilic polymer" as understood herein means a polymer which has a sufficient affinity to water as to dissolve therein or to form a gel with it. Suitable examples of hydrophilic polymers are: acrylic polymers, poly(vinyl alcohol), cellulose derivatives, gelatine, gums such as e.g. guar or agaragar, poly(ethylene oxide), polyvinylpyrrolidone or mixtures thereof.

Preferably, the coupling liquid comprises a single hydrophilic polymer. Polymers with an average molecular mass in the range of between 30,000 and 70,000 present at a low concentration, such as between 10 and 50 g/L allow the production of hydrogels having a relatively low viscosity, preferably between $1 \cdot 10^{-4}$ Pa·s and $2 \cdot 10^{-4}$ Pa·s at 20°C. Such a viscosity allows the hydrogel to

be readily pumped and thus used in a liquid circuit with a cooling unit.

Further, the coupling liquid comprises at least one alcohol with a carbon chain of 1 to 7 carbon atoms. The carbon chain may be branched or unbranched. Preferably the alcohol is selected from ethanol, butanol, propanol, isopropanol, pentanol, hexanol, heptanol or mixtures thereof. More preferably, the at least one alcohol is a primary alcohol.

Surprisingly, addition of an alcohol to a coupling liquid comprising a hydrophilic polymer was found to considerably reduce the reflection of ultrasound waves at the boundary between the coupling liquid and the skin and/or a cover member covering an ultrasound transducer. Moreover, reduction of the refractive index between the coupling liquid and the skin and/or the cover member shifts the focal point of the ultrasound waves deeper into the body. An additional effect is that bacterial and/or algal growth is hindered by the alcohol. Another additional effect is that the freezing point of the coolant is lowered with the addition of alcohol. Whereas the low temperature of known cooling fluids is limited to 0°C, the coolant according to the invention can be cooled to less than 0°C yielding a potentially better efficiency. For example adding 5.5% ethanol lowers the freezing point to -2°C.

The at least one alcohol is preferably present in a concentration of 3% to 45% by weight of the total weight of the coupling liquid, preferably 5 to 20%. The amount of ultrasound wave reflections is reduced when the alcohol concentration is in this range.

Most preferably the at least one alcohol is present in a concentration of 5% by weight of the total weight of the coupling liquid. This concentration was found to be the optimal concentration for a coupling fluid used with high energy ultrasound, especially with HIFU treatment.

The at least one alcohol is preferably selected from a group comprising of ethanol, propanol, isopropanol and/or benzyl alcohol. These alcohols have good antibacterial and antifungal properties. Thus, the coupling liquid does not need to be sterilized before packaging or use.

The hydrophilic polymer preferably is or comprises polyvinylpyrrolidone. Polyvinylpyrrolidone has about the same acoustic and absorption characteristics as water, thereby allowing the use of varying concentrations of polyvinylpyrrolidone with only minor changes in the overall characteristics of the solution.

These low attenuation and/or acoustic absorption characteristics of the coupling liquid ensure that a major portion of the ultrasound waves are effectively transmitted towards the skin rather than being absorbed by the coupling liquid.

The polyvinylpyrrolidone used in the present invention most preferably has an average molecular mass of 58,000, like e.g. polyvinylpyrrolidone available under the trademark Plasdone® K-29/32 (ISC Corp., USA).

Most preferably, the hydrophilic polymer is present in an amount of between 1% and 5% weight/volume of the coupling liquid. This allows obtaining a hydrogel with a viscosity which is sufficiently low to render the gel pumpable. The viscosity of the coupling liquid according to the present invention preferably is

between $1 \cdot 10^{-4}$ Pa·s and $2 \cdot 10^{-4}$ Pa·s at 20°C, more preferably between $1.2 \cdot 10^{-4}$ Pa·s and $1.6 \cdot 10^{-4}$ Pa·s at 20°C.

Another objective of the present invention is to provide a container for a coupling fluid which is easy to integrate in a cooling system of an ultrasound device and which is protected from bacterial and fungal growth. This problem is solved by a container as claimed in claim 7.

The container according to the present invention has an outer wall with a high thermal conductivity defining a cavity filled with an ultrasound coupling liquid comprising a preservative. The ultrasound coupling liquid preferably is a coupling liquid according to the present invention.

As "high thermal conductivity" as understood herein is a heat conductivity of more than 1000 W/K per m^2 of wall surface. This allows for a good heat transfer from the container to the cooling system, thereby allowing efficient temperature reduction in the coolant.

The wall preferably has a tensile strength of more than 30 N/ mm^2 . This avoids rupture of the container wall during handling, storage and/or transportation.

A container with a thin wall may not be sterilized by heat since the wall would not be able to withstand the internal pressure changes caused by the expansion of the liquid enclosed, and thus would be prone to bursting. A thin wall container may also be more prone to deformation due to softening of the wall material when heated. Sterilizing methods other than heat, such as gamma exposure or ethylene oxide (ETO) gas are also prone to modifying the material of the container walls or of the coupling liquid

itself. The presence of a preservative in the coupling liquid eliminates the sterilization step, since growth of bacteria or fungi will be hindered. This allows the production of coupling liquid containers under non-sterile conditions, thereby lowering the production costs quite considerably.

For ease of use of an ultrasound device, especially in the field of HIFU treatment, it is important that the coupling liquid may be easily introduced into a liquid cooling cycle. By providing a container with a wall with a high thermal conductivity according to the present invention, it is possible to place the container onto or into cooling means, such as between two cooling plates or into a cooling bath. A high heat conductivity of the wall thus allows an effective heat transfer between the coupling liquid within the container and the cooling means. Hence, it is not necessary to remove the coupling liquid from the container and to fill it into a cooling system.

The preservative comprised in the coupling fluid filled in the container according to the present invention may be any suitable preservative hindering the growth of microorganisms, especially bacteria and fungi, as long as the acoustic properties are preserved or improved. Preferably the preservative comprised in the coupling liquid is an alcohol. Most preferably, the coupling liquid is a coupling liquid as described in the present invention comprising a hydrophilic polymer and an alcohol having a branched or unbranched carbon chain with 1 to 7 carbon atoms.

Preferably, the wall has a thickness of less than 0.5mm, more preferably less than 0.25mm, most preferably less than 0.125mm. Reducing the thickness of the wall will increase the thermal conductivity across the wall and hence the heat exchange between the coupling liquid inside the container and a cooling means.

Reduction of the thickness of the wall the values indicated above even allows the wall to comprise or be made of a material which has a low thermal conductivity.

Reducing the thickness of the wall will also render it more flexible thus allowing for a quicker and better distribution of any pressure peak applied on the wall. This reduces the risk that the wall is locally ripped apart by such a pressure peak.

The wall preferably is made of or comprises a polymeric material.

Polymeric materials are readily available and cheap. Furthermore, there are many techniques known in the art to impart a specific shape to a polymeric material, like injection moulding, extruding, punching as well as vacuum or heat forming. This greatly facilitates the production process of a container according to the present invention.

Most preferably, the thin wall is made of or comprises poly(vinyl chloride). Use of poly(vinyl chloride) allows the manufacture of containers having very thin walls. Moreover, poly(vinyl chloride) can be handled easily and does not require special disposal after use.

Preferably, the container additionally comprises means to bring the cavity in fluid connection with an ultrasound probe head. Said means preferably comprise at least one tube. By the connection means, it is possible to integrate the container into a liquid circuit of an ultrasound device. For example, the coupling liquid may be constantly cycled by means of a pump from the container to the ultrasound probe head. Since the container has a thin outer wall, it may be placed on or inside a cooling

means, such that the coupling liquid may additionally serve as cooling liquid.

Additionally, the container most preferably is airtight. By airtight is understood that no gas exchange between the cavity of the container and the atmosphere outside of the container is possible. This additionally reduces the probability of contamination of the coupling liquid with any microorganisms. Of course, once the container is connected with an ultrasound device or is opened for the withdrawal of liquid, it may no longer be airtight. Preferably, connection of the container with an ultrasound device is configured in such a way as to keep the entire liquid circuit airtight.

The container preferably comprises at least one frame element defining the geometrical shape of the container in one plane and two wall elements, wherein said two wall elements are fixed over said frame element thereby forming the cavity in between said two wall elements.

The frame element preferably is of rectangular shape. But the frame member may also be of any other suitable shape, such as circular. The frame element may also comprise additional elements, such as protrusions and/or recesses for additional functions, such as handholds and/or fixation means. The frame element preferably is more rigid than the outer walls, thus imparting some stability to the container in the plane of the frame element. Two wall elements are fixed over the frame element, one on either side of the frame element. Between the wall elements, the cavity is thus formed. The wall elements may be fixed to the frame element by gluing or welding.

Alternatively the container may comprise more than one frame element, such as two, three or more frame elements. Preferably, if the container comprises more than one frame element, the frame elements are fixed one above the other, e.g. by welding or gluing. This additionally reinforces the stability of the container in the plane of the frame elements.

The frame elements preferably comprise or are made of the same material as the wall elements. Alternatively, the frame elements may comprise or be made of another material as the wall elements.

The container preferably additionally comprises an identification means, preferably an RFID tag. The identification means may enable to retrieve information about the coupling liquid in the container, such as e.g. batch serial number, production date, kit serial number or even last date of use.

Another objective of the present invention is to provide a method of use of an ultrasound device with improved acoustic qualities. This problem is solved according to claim 14.

In the method of use of an ultrasound device, preferably a HIFU device, a container filled with a coupling liquid comprising a preservative, preferably according to the present invention, is brought in fluid connection with the ultrasound transducer.

The container may be brought in fluid connection via connection means, preferably comprised with the container. Preferably the container is brought in fluid connection with the ultrasound device by means of at least one tube, preferably a flexible tube.

This invention further relates to the use of a coupling liquid of the present invention for a treatment with ultrasound, preferably with high intensity focused ultrasound.

Another object of the present invention is to provide an ultrasound device comprising fixation means to reversibly connect a container of the present invention to the ultrasound device. The fixation means most preferably are in the form of an adaptor member which is configured to reversibly house a container. Most preferably, the adaptor member is a separate device of the ultrasound device, which is insertable in a receptacle provided on the ultrasound device. Alternatively, the adaptor device may also be provided as unitary part of the ultrasound device. Most preferably, the container filled with a coupling liquid is a container according to the present invention.

Additional aspects and details of the present invention will be apparent from the following description of figures and examples.

Fig. 1: Diagram showing the difference in speed of sound in a coupling liquid with alcohol compared to a coupling liquid without alcohol;

Fig. 2: An exploded view of an embodiment of a coupling liquid container according to the present invention;

Fig. 3: The coupling liquid container of Fig. 2 viewed from different sides;

Fig. 4: Schematic representation of a preferred method of manufacturing of a coupling liquid according to the present invention;

Fig. 5: Fixation means for fixing a container of the present invention to an ultrasound device;

Fig. 6: An ultrasound device comprising connection and cooling means for a container according to the present invention.

Figure 1 shows the difference in the speed of sound at various temperatures between a coupling liquid comprising 10% w/v of polyvinylpyrrolidone in water, shown as line B, compared to a coupling liquid additionally comprising 5% by weight of ethanol, shown as line A. As can readily be seen, the addition of alcohol increases the speed of sound in the coupling medium.

Additionally, the reflection coefficient of the ultrasound waves between the liquid and the skin or cover member decreases, thus allowing increased transmission of the sound waves from the liquid into the tissues of a patient. Exemplary values for different physical characteristics of a coupling liquid of the present invention compared to a coupling liquid without alcohol and with plain water are shown in table 1:

	Water	Coupling liquid	Coupling liquid with 5% ethanol
Density ρ [g/cm ³]	1	1.006	0.9935
Impedance Z [MRay]	1,457	1,465	1,482
Reflection coefficient R of sound on cover member made of silicon	$12 \cdot 10^{-4}$	$9,85 \cdot 10^{-4}$	$6,64 \cdot 10^{-4}$

Table 1

The development of bacterial contamination was tested both for a coupling medium comprising 10% weight by volume polyvinylpyrrolidone in water as well as a coupling liquid additionally comprising 5% by weight of ethanol. Further, a coupling liquid comprising alcohol was inoculated with a bacterial culture of *Pseudomonas aeruginosa* at 80 CFU/100mL. The coupling liquid probes were filled in a pouch container excluding any air and the pouches were stored for 5 months at room temperature. Samples of the liquid were taken and incubated for 3 days at 22°C ± 2°C. After this time, bacterial contamination was determined. The results are shown on table 2:

Container	Ethanol	Innoculation	Contamination after 1,5 mts	Contamination after 5 mts
1	-	-	overgrown	500000 UFC/mL
2	-	-	overgrown	740000 UFC/mL
3	-	-	overgrown	570000 UFC/mL
A	5%	-	1 CFU/100mL	0 CFU/100mL
B	5%	-	0 CFU/100mL	0 CFU/100mL
C	5%	-	0 CFU/100mL	0 CFU/100mL
D	5%	80 CFU/100 mL	34 CFU/100 mL	0 CFU/100mL
E	5%	80 CFU/100 mL	40 CFU/100 mL	0 CFU/100mL
F	5%	80 CFU/100 mL	58 CFU/100 mL	0 CFU/100mL

Table 2

As can be seen, addition of an alcohol with a carbon chain of 1 to 7 carbon atoms, in this case ethanol, hinders bacterial growth in a coupling liquid. Even if the coupling liquid was not manufactured under aseptic conditions and therefore contains low levels of bacterial contamination, overgrowing of the liquid by bacteria can be avoided by addition of ethanol.

In a test, the focal point of an imaging transducer was shifted from 11mm to 13.7mm from the tip of the probe using a coupling liquid with 5% ethanol.

Figure 2 shows an exemplary embodiment of a container of the present invention in exploded view. The container 10 comprises a first frame element 1 and a second frame element 2. In this embodiment, the frame elements 1,2 are generally of rectangular shape. On both sides of the frame elements 1,2 two wall elements 3,4 are affixed. Preferably, the frame elements 1,2 provide passages 11 for the insertion of tubes 5,6 into the cavity formed between the two walls 3,4. Identification means 7, exemplarily shown as RFID chip, may be inserted between the two frame elements 1,2. Between the walls 12 a cavity is formed.

Figure 3a shows a top view of an assembled container 10. Both wall elements 3,4 are fixed on the frame elements 1,2. This creates a border 8 at the edges of the wall elements 3,4. Wall elements 3,4 may be affixed to frame elements 1,2 by means of gluing or plastic welding. Frame elements 1,2 are also fixed together by means of gluing or plastic welding. Between the wall elements 3,4 cavity 9 is formed. Tubes 5,6 are inserted into cavity 9 through passages 11. By means of the tubes 5,6 the container 10 may be connected to an ultrasound device or to a liquid circuit of an ultrasound device.

Figures 3b and 3c are side and front views, respectively, of the assembled container 10 as shown on figure 3a. Both wall elements 3,4 have a height H_w . The overall height H of the container 10 is the sum of the height H_w of the two wall elements 3,4 and the thickness of both frame elements 1,2. The height H_w of the wall elements 3,4 is a maximal height. If the walls 12 are flexible

and the cavity 9 is not completely filled, then the walls 12 may not extend to their full height H_w .

Both the frame elements 1,2 and the wall elements 3,4 are made of a polymeric material, preferably poly(vinyl chloride). Alternative embodiments may also provide for a container where the frame elements 1,2 comprise or are made of another material than the wall elements 3,4.

The thickness of the wall elements 3,4 and hence of the walls 12 preferably is 0.1mm. The frame elements 1,2 are preferably thicker than the wall elements 3,4. Preferably, thickness of the frame elements 1,2 is between 0.1mm and 1.5mm, more preferably between 0.2mm and 1mm. Most preferably, the frame elements 1,2 are 0.25mm thick.

The cavity 9 preferably has a width W_c in the range of 90mm to 150mm, more preferably of 100mm to 125mm. Most preferably width W_c is 110mm. The length L_c of cavity 9 is in the range of 180mm to 250mm, more preferably of 200mm to 225mm. Most preferably, the length L_c is 210mm.

The width of the container W is preferably in the range of 120mm to 180mm, more preferably of 140mm to 160mm. Most preferably width W is 150mm. The length of the container L preferably is in the range of 250mm to 350mm, more preferably of 280mm to 320mm. Most preferably, length L is 295mm.

Height H_w of the wall elements 3,4 preferably is in the range of 5mm to 20mm, more preferably of between 10mm to 15mm, most preferably height H_w is 12mm.

The height H of the container 10 when filled is preferably in the range of 12mm to 50mm, more preferably of between 20mm and 35mm, most preferably the height H of container 10 is 22mm.

The total volume of the cavity 9 of container 10 most preferably is 500mL.

Figure 4 shows a preferred method of manufacturing of a coupling liquid according to the present invention. In a first mixing step 19, an alcohol 15 is added to a powder of a hydrophilic polymer 16. Preferably, alcohol 15 is ethanol and polymer 16 is polyvinylpyrrolidone. The amount used may vary depending on the wanted characteristics of the coupling liquid. Preferably, 10 grams of a polyvinylpyrrolidone, preferably with an average molecular weight of about 58,0000, e.g. as available under the name PLASDONE K29-32 (ISP Corp.), are dissolved in 50 grams of ethanol in the first mixing step 19. This solution is then mixed with water, preferably purified or distilled water in a second mixing step 20. The amount of water should be chosen such as to yield 1 litre of coupling liquid 18. Alternatively, additional compounds may be added to the coupling liquid 18 during any of the manufacturing steps, e.g. in first mixing step 19. Exemplarily, 1ml of a 0.2% solution of a dye, preferably methylene blue, may be added. Depending on the desired characteristics of the coupling liquid 18, any suitable compound may be additionally added to the coupling liquid 18.

Figures 5a and 5b exemplarily show fixation means to fix a container 10 to an ultrasound device. The fixation means preferably are in the form of an adaptor element 20 having a base member 22 and a lid member 21 which is pivotably coupled to the base member 22. Figure 5a shows the adaptor member 20 in an open state. The base member 22 is configured such that a container 10 may be

inserted between the outer walls of the member. For ease of handling, the adaptor member 20 may further comprise a handle 24. Additionally, the base member 22 comprises at least one fixation means 23 to reversibly secure lid member 21 to base member 22 in a closed state. Such a closed state is shown in figure 5b. By pivoting lid member 21 back onto the base member 22, the container 10 is securely connected in the adaptor member 20, preferably through clamping of the border 8 of the container 10 between the lid member 21 and the base member 22. The lid member 21 is secured to the base member 22 by means of fixation means 23. The fixation means 23 may be of any suitable form and configuration, such as screws, pins or a form fit connection. Both the base member 22 and the lid member 21 are configured in such a way as to allow connection means, here shown as tubes 5,6, to be freely connected e.g. to a probe head.

Figure 6 is a representation of an ultrasound device 25 comprising cooling and/or connection means for the container 10. In this example, the cooling means are provided within the ultrasound device 25. Adaptor member 20 with a container 10 mounted therein is inserted in a receptacle 30 provided on the ultrasound device 25. The cooling means are arranged in such a way as to provide optimal cooling of the container 10 once inserted in the receptacle 30. The ultrasound device 25 preferably further comprises an ultrasound probe head 26, a pivot arm 27 as well as input/output means, such as screen 28. Most preferably, the ultrasound probe head is covered by a cover member 29. In a special embodiment, container 10 and cover member 29 are comprised in a kit. Cover member 29 and the container 10 may then be brought in fluid connection by means of tubes or the like. Further, the ultrasound device may comprise at least one pump to allow cycling of the coupling liquid between the container 10 and the cover member 29.

Claims

1. An ultrasound coupling liquid comprising:
 - a liquid aqueous solution of at least one hydrophilic polymer having an average molecular mass of between 30,000 and 70,000
 - at least one alcohol with a carbon chain of 1 to 7 carbon atoms.
2. The ultrasound coupling liquid as claimed in claim 1, characterized in that the at least one alcohol is present in a concentration of 3% to 45% by weight, preferably 5% to 20% by weight.
3. The ultrasound coupling liquid as claimed in either of claims 1 or 2, characterized in that the at least one alcohol is present in a concentration of 5% by weight.
4. The ultrasound coupling liquid as claimed in any of claims 1 to 3, characterized in that the at least one alcohol is selected from a group comprising ethanol, propanol isopropanol, benzyl alcohol.
5. The ultrasound coupling liquid as claimed in any of claims 1 to 4, characterized in that the hydrophilic polymer is or comprises polyvinylpyrrolidone.
6. The ultrasound coupling liquid as claimed in any of claims 1 to 5, characterized in that the hydrophilic polymer is present in an amount of between 1% and 5% w/v
7. A container (10) with an outer wall (12) with a high thermal conductivity defining a cavity (9) filled with an ul-

- trasound coupling liquid comprising a preservative, preferably according to any of claims 1 to 6.
8. The container according to claim 7, characterized in that the thin wall (12) has a thickness of less than 0.5mm, preferably less than 0.25mm, most preferably less than 0.125mm.
 9. The container according to either of claim 7 or 8, characterized in that the thin wall (12) is made of or comprises a plastic material, preferably poly(vinyl chloride) and/or an elastomeric material.
 10. The container according to any of claims 7 to 9, characterized in that the container (10) additionally comprises means to bring the cavity in fluid connection with an ultrasound probe head, said means preferably comprising at least one tube (5,6).
 11. The container according to any of claims 7 to 10, characterized in that said container (10) is airtight.
 12. The container according to any of claims 7 to 11, characterized in that the container (10) comprises at least one frame element (1,2) defining the geometrical shape of the container in one plane and two wall elements (3,4) comprising the thin wall (12), wherein said two wall elements (3,4) are fixed over said frame element (1,2) thereby forming the cavity (9) in between said two wall elements (3,4).
 13. The container according to any of claims 7 to 12, characterized in that said container (10) additionally comprises an identification means (7), preferably an RFID tag.

14. Method of use of an ultrasound transducer, preferably a HIFU transducer, characterized in that a container filled with a coupling liquid comprising a preservative, preferably according to any of claims 1 to 6, is brought in fluid connection with the ultrasound transducer.
15. The method as claimed in claim 14, characterized in that the container filled with a coupling liquid comprising a preservative is a container according to any of claims 8 to 13.
16. Use of a liquid as claimed in any of claims 1 to 6 as a coupling liquid in an ultrasound treatment, preferably with high intensity focused ultrasound.
17. Ultrasound device (25) comprising cooling means and/or fixation means, preferably in the form of an adaptor element (20), adapted to reversibly connect to a coupling liquid container (10) as claimed in any of claims 7 to 13.
18. Use of a container as claimed in any of claims 7 to 13 as supply of a coupling liquid in an ultrasound treatment, preferably with high intensity focused ultrasound.
19. Kit comprising a container (10) according to any of claims 7 to 13 and a cover member (29) for an ultrasound transducer, preferably comprising connection means to bring said cover member in fluid connection with said container.

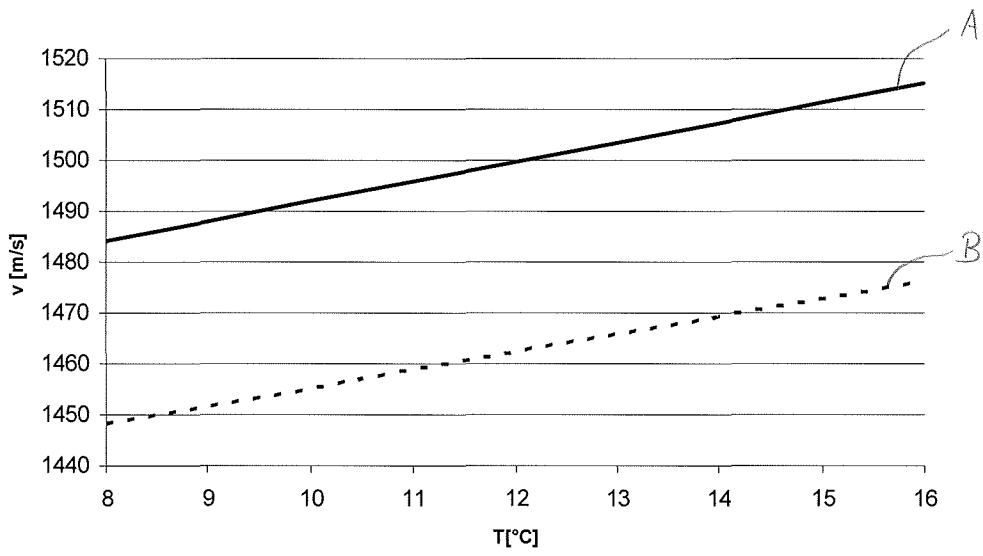


Fig. 1

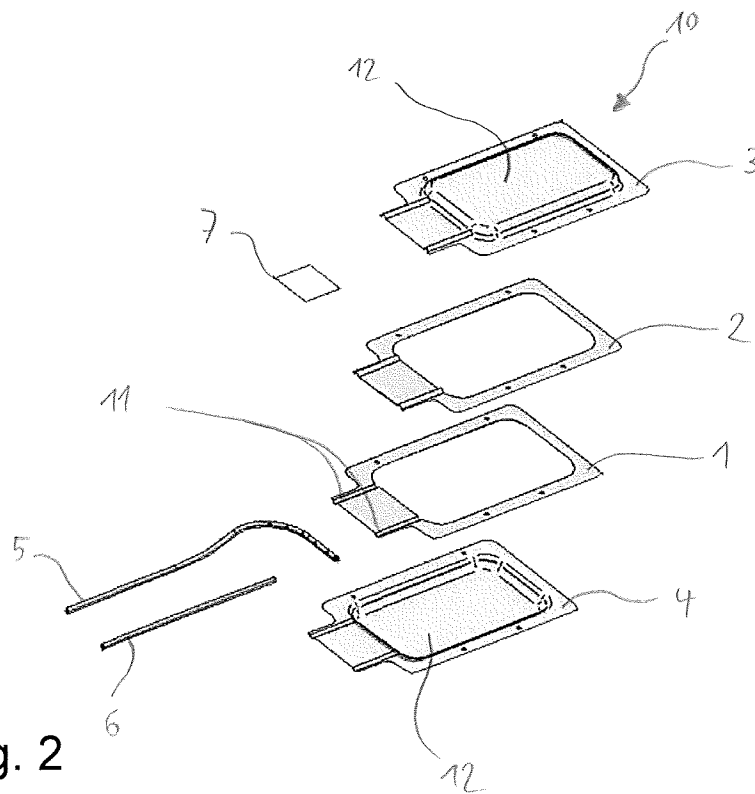


Fig. 2

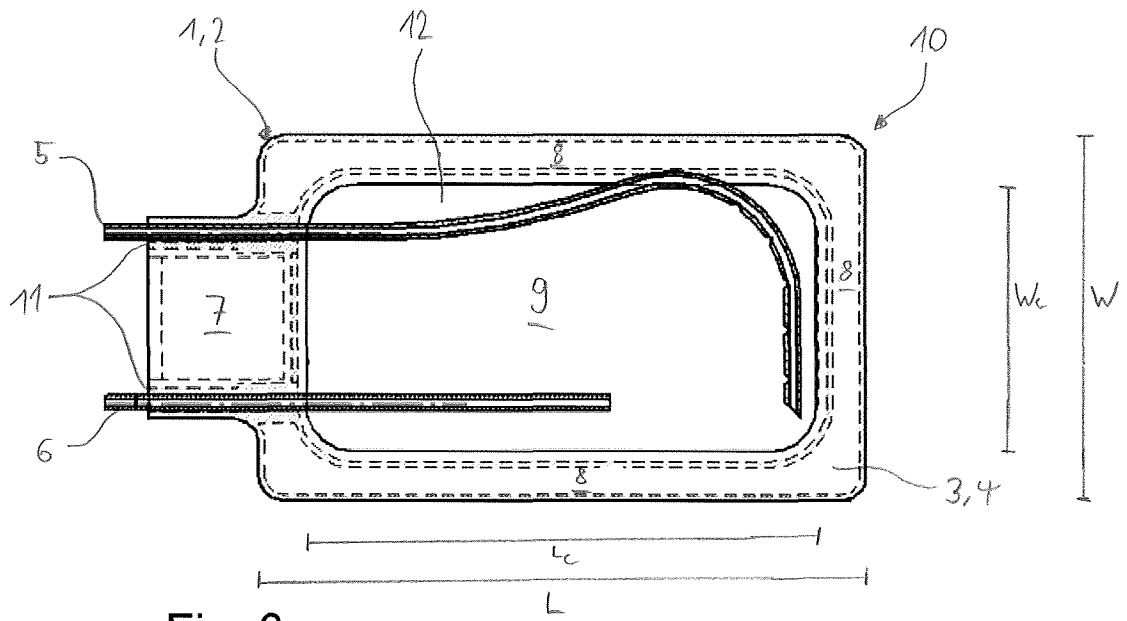


Fig. 3a

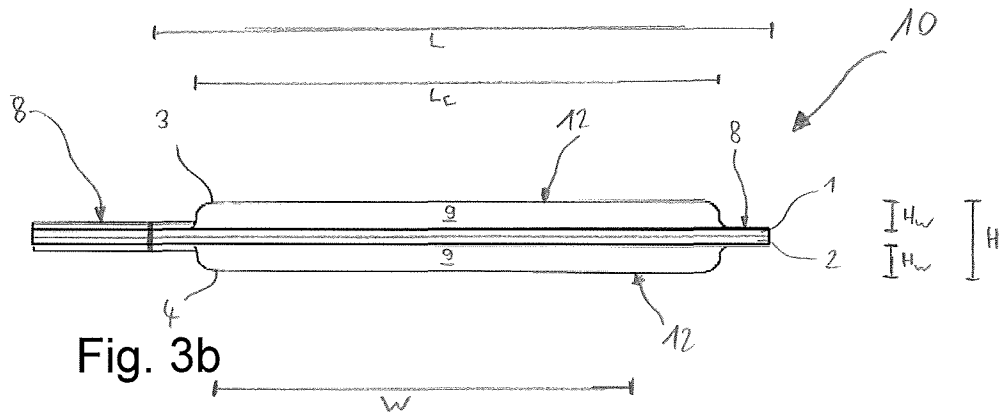


Fig. 3b

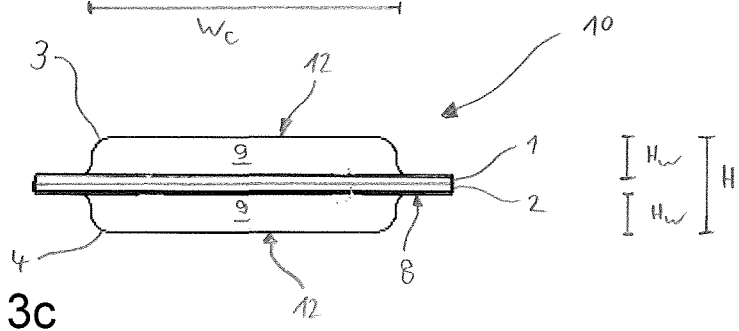


Fig. 3c

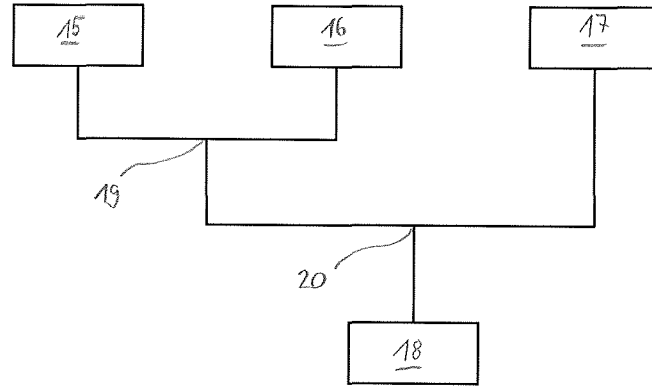


Fig. 4

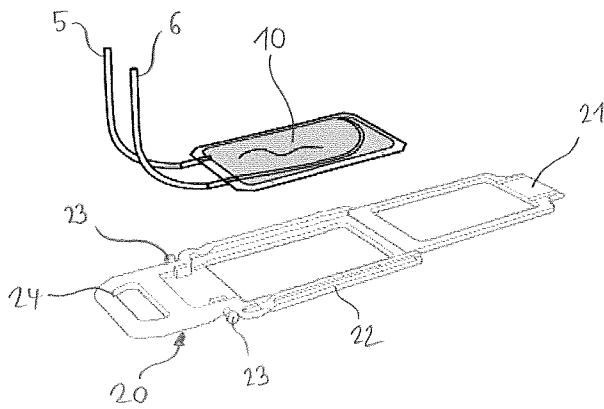


Fig. 5a

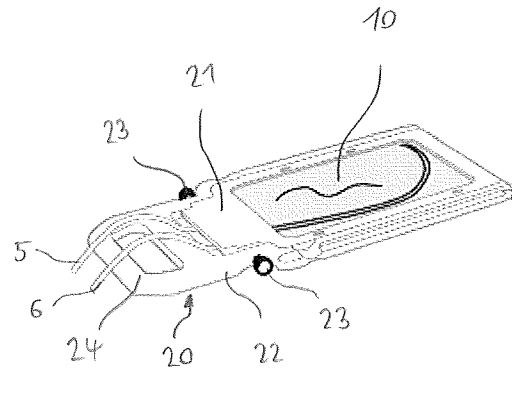


Fig. 5b

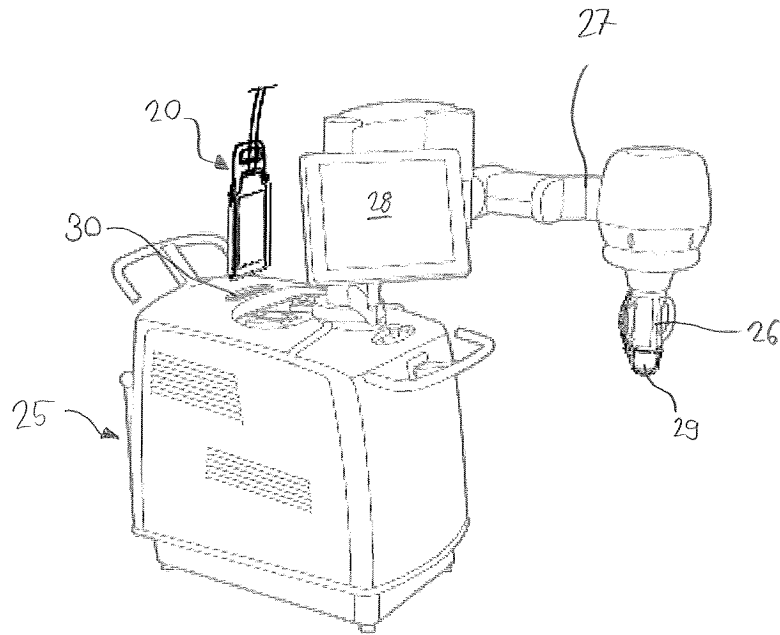


Fig. 6

INTERNATIONAL SEARCH REPORT

International application No
PCT/EP2011/057868

A. CLASSIFICATION OF SUBJECT MATTER
INV. A61B8/00 A61K47/34
ADD.
According to International Patent Classification (IPC) or to both national classification and IPC

B. FIELDS SEARCHED
Minimum documentation searched (classification system followed by classification symbols)
A61B A61K
Documentation searched other than minimum documentation to the extent that such documents are included in the fields searched

Electronic data base consulted during the international search (name of data base and, where practical, search terms used)
EPO-Internal

C. DOCUMENTS CONSIDERED TO BE RELEVANT

Category*	Citation of document, with indication, where appropriate, of the relevant passages	Relevant to claim No.
Y	US 6 432 069 B1 (GODO JOSEPH [FR] ET AL) 13 August 2002 (2002-08-13) cited in the application abstract column 3, line 39 - column 5, line 37 -----	1-6,16
Y	US 4 886 068 A (KANEKO NAGAO [JP] ET AL) 12 December 1989 (1989-12-12) abstract column 2, line 49 - column 3, line 58 examples 1-10; tables 1-2 -----	1-11,16, 18,19
A	JP 2 092343 A (TOSHIBA CORP) 3 April 1990 (1990-04-03) cited in the application abstract -----	1-6,16
	-/--	

Further documents are listed in the continuation of Box C.

See patent family annex.

* Special categories of cited documents :

- "A" document defining the general state of the art which is not considered to be of particular relevance
- "E" earlier document but published on or after the international filing date
- "L" document which may throw doubts on priority claim(s) or which is cited to establish the publication date of another citation or other special reason (as specified)
- "O" document referring to an oral disclosure, use, exhibition or other means
- "P" document published prior to the international filing date but later than the priority date claimed

- "T" later document published after the international filing date or priority date and not in conflict with the application but cited to understand the principle or theory underlying the invention
- "X" document of particular relevance; the claimed invention cannot be considered novel or cannot be considered to involve an inventive step when the document is taken alone
- "Y" document of particular relevance; the claimed invention cannot be considered to involve an inventive step when the document is combined with one or more other such documents, such combination being obvious to a person skilled in the art.
- "&" document member of the same patent family

Date of the actual completion of the international search 6 June 2011	Date of mailing of the international search report 12/10/2011
Name and mailing address of the ISA/ European Patent Office, P.B. 5818 Patentlaan 2 NL - 2280 HV Rijswijk Tel. (+31-70) 340-2040, Fax: (+31-70) 340-3016	Authorized officer Artikis, T

INTERNATIONAL SEARCH REPORT

International application No
PCT/EP2011/057868

C(Continuation). DOCUMENTS CONSIDERED TO BE RELEVANT		
Category*	Citation of document, with indication, where appropriate, of the relevant passages	Relevant to claim No.
A	US 5 078 149 A (KATSUMATA HIROSHI [JP] ET AL) 7 January 1992 (1992-01-07) cited in the application the whole document	1-7,16
X	----- WO 2006/032059 A2 (UNIV WASHINGTON [US]; VAEZY SHAHRAM [US]; NGUYEN THUC NGHI [US]; ZDERI) 23 March 2006 (2006-03-23)	7-11, 17-19
A	abstract page 6, paragraph Description - page 12, paragraph 3 figures 1-3	12
X	----- US 6 626 855 B1 (WENG LEE [US] ET AL) 30 September 2003 (2003-09-30)	17
Y	abstract	7-11,18
A	column 8, line 1 - column 12, line 65 figures 3c,10	19
X	----- US 6 126 619 A (PETERSON THOMAS M [US] ET AL) 3 October 2000 (2000-10-03)	17
Y	abstract	7,10,18,
	column 5, line 50 - column 10, line 40 figures 1-4,7-8	19
A	----- WO 2010/016789 A1 (ASCENDIA AB [SE]) 11 February 2010 (2010-02-11)	7-13, 17-19
	the whole document	
A	----- US 4 641 362 A (MULLER CHARLES B [US]) 3 February 1987 (1987-02-03)	7-13, 17-19
	abstract column 4, line 57 - column 8, line 34; figures 3,7	

INTERNATIONAL SEARCH REPORT

Information on patent family members

International application No PCT/EP2011/057868

Patent document cited in search report	Publication date	Patent family member(s)	Publication date
US 6432069	B1	13-08-2002	AT 302043 T 15-09-2005
			DE 60021940 D1 22-09-2005
			DE 60021940 T2 08-06-2006
			EP 1038551 A1 27-09-2000
			FR 2791249 A1 29-09-2000
			JP 4281938 B2 17-06-2009
			JP 2000316871 A 21-11-2000
US 4886068	A	12-12-1989	NONE
JP 2092343	A	03-04-1990	NONE
US 5078149	A	07-01-1992	DE 69021158 D1 31-08-1995
			DE 69021158 T2 07-12-1995
			EP 0420758 A1 03-04-1991
WO 2006032059	A2	23-03-2006	AU 2005284695 A1 23-03-2006
			CA 2575687 A1 23-03-2006
			EP 1788950 A2 30-05-2007
			JP 2008513149 A 01-05-2008
			US 2006235303 A1 19-10-2006
US 6626855	B1	30-09-2003	US 2009036774 A1 05-02-2009
			US 2004030268 A1 12-02-2004
			US 2011066085 A1 17-03-2011
US 6126619	A	03-10-2000	NONE
WO 2010016789	A1	11-02-2010	US 2010032450 A1 11-02-2010
US 4641362	A	03-02-1987	NONE

INTERNATIONAL SEARCH REPORT

International application No.
PCT/EP2011/057868

Box No. II Observations where certain claims were found unsearchable (Continuation of item 2 of first sheet)

This international search report has not been established in respect of certain claims under Article 17(2)(a) for the following reasons:

1. Claims Nos.:
because they relate to subject matter not required to be searched by this Authority, namely:

2. Claims Nos.:
because they relate to parts of the international application that do not comply with the prescribed requirements to such an extent that no meaningful international search can be carried out, specifically:

3. Claims Nos.:
because they are dependent claims and are not drafted in accordance with the second and third sentences of Rule 6.4(a).

Box No. III Observations where unity of invention is lacking (Continuation of item 3 of first sheet)

This International Searching Authority found multiple inventions in this international application, as follows:

see additional sheet

1. As all required additional search fees were timely paid by the applicant, this international search report covers all searchable claims.

2. As all searchable claims could be searched without effort justifying an additional fees, this Authority did not invite payment of additional fees.

3. As only some of the required additional search fees were timely paid by the applicant, this international search report covers only those claims for which fees were paid, specifically claims Nos.:

4. No required additional search fees were timely paid by the applicant. Consequently, this international search report is restricted to the invention first mentioned in the claims; it is covered by claims Nos.:

1-13, 16-19

Remark on Protest

- The additional search fees were accompanied by the applicant's protest and, where applicable, the payment of a protest fee.
- The additional search fees were accompanied by the applicant's protest but the applicable protest fee was not paid within the time limit specified in the invitation.
- No protest accompanied the payment of additional search fees.

FURTHER INFORMATION CONTINUED FROM PCT/ISA/ 210

This International Searching Authority found multiple (groups of) inventions in this international application, as follows:

1. claims: 1-13, 16-19

Ultrasound coupling liquid and use thereof. Container filled with an ultrasound coupling liquid, use thereof and ultrasound device.

1.1. claims: 1-6, 16

An ultrasound coupling liquid comprising a liquid aqueous solution of at least one hydrophilic polymer having an average molecular mass of between 30,000 and 70,000 and at least one alcohol with a carbon chain of 1 to 7 carbon atoms. The use of said liquid as a coupling liquid in ultrasound treatment is also claimed.

1.2. claims: 7-13, 17-19

A container with an outer wall with a high thermal conductivity defining a cavity filled with an ultrasound coupling liquid comprising a preservative. An ultrasound device adapted to reversible connect to said container as well as the use of said container as supply of a coupling liquid in an ultrasound treatment are also claimed.

2. claims: 14, 15

Method of use of an ultrasound transducer, wherein a container filled with a coupling liquid comprising a preservative is brought in fluid connection with the ultrasound transducer.

专利名称(译)	超声波耦合液体和容器		
公开(公告)号	EP2575624A1	公开(公告)日	2013-04-10
申请号	EP2011719285	申请日	2011-05-16
[标]申请(专利权)人(译)	泰拉克利昂公司		
申请(专利权)人(译)	THERACLION SAS		
当前申请(专利权)人(译)	THERACLION SA		
[标]发明人	BROCARDO ROBERTA PECHOUX THIERRY		
发明人	BROCARDO, ROBERTA PECHOUX, THIERRY		
IPC分类号	A61B8/00 A61K47/34		
CPC分类号	A61L31/048 A61B8/4281 A61B8/546 A61J1/00 A61J1/1475 A61N7/02 B65D1/00		
优先权	2010163725 2010-05-25 EP		
其他公开文献	EP2575624B1		
外部链接	Espacenet		

摘要(译)

本发明涉及一种用于超声装置的耦合液，优选高强度聚焦超声（HIFU）。偶联液包含至少一种平均分子量为30,000至70,000的亲水性聚合物和至少一种碳链为1至7个碳的醇的液体水溶液。还公开了一种用于具有薄壁的超声耦合液体的容器（10）。