

(19) World Intellectual Property
Organization
International Bureau



(43) International Publication Date
7 October 2004 (07.10.2004)

PCT

(10) International Publication Number
WO 2004/086086 A2

- (51) International Patent Classification⁷: **G01S 15/89**, 7/52, A61B 8/08
- (21) International Application Number: PCT/IB2004/000759
- (22) International Filing Date: 4 March 2004 (04.03.2004)
- (25) Filing Language: English
- (26) Publication Language: English
- (30) Priority Data: 60/458,782 27 March 2003 (27.03.2003) US
- (71) Applicant (for all designated States except US): **KONINKLIJKE PHILIPS ELECTRONICS N.V.** [NL/NL]; Groenewoudseweg 1, NL-5621 BA Eindhoven (NL).
- (72) Inventors; and
- (75) Inventors/Applicants (for US only): **SAVORD, Bernard** [US/US]; 22100 Bothell Everett Highway, Bothell, WA 98021 (US). **SCAMPINI, Steven** [US/US]; 22100 Bothell Everett Highway, Bothell, WA 98021 (US). **PESZYN-SKI, Michael** [US/US]; 22100 Bothell Everett Highway, Bothell, WA 98021 (US). **SALGO, Ivan** [US/US]; 22100 Bothell Everett Highway, Bothell, WA 98021 (US).
- (81) Designated States (unless otherwise indicated, for every kind of national protection available): AE, AG, AL, AM, AT, AU, AZ, BA, BB, BG, BR, BW, BY, BZ, CA, CH, CN, CO, CR, CU, CZ, DE, DK, DM, DZ, EC, EE, EG, ES, FI, GB, GD, GE, GH, GM, HR, HU, ID, IL, IN, IS, JP, KE, KG, KP, KR, KZ, LC, LK, LR, LS, LT, LU, LV, MA, MD, MG, MK, MN, MW, MX, MZ, NA, NI, NO, NZ, OM, PG, PH, PL, PT, RO, RU, SC, SD, SE, SG, SK, SL, SY, TJ, TM, TN, TR, TT, TZ, UA, UG, US, UZ, VC, VN, YU, ZA, ZM, ZW.
- (84) Designated States (unless otherwise indicated, for every kind of regional protection available): ARIPO (BW, GH, GM, KE, LS, MW, MZ, SD, SL, SZ, TZ, UG, ZM, ZW), Eurasian (AM, AZ, BY, KG, KZ, MD, RU, TJ, TM), European (AT, BE, BG, CH, CY, CZ, DE, DK, EE, ES, FI, FR, GB, GR, HU, IE, IT, LU, MC, NL, PL, PT, RO, SE, SI, SK, TR), OAPI (BF, BJ, CF, CG, CI, CM, GA, GN, GQ, GW, ML, MR, NE, SN, TD, TG).
- Published:**
— with declaration under Article 17(2)(a); without abstract; title not checked by the International Searching Authority
- For two-letter codes and other abbreviations, refer to the "Guidance Notes on Codes and Abbreviations" appearing at the beginning of each regular issue of the PCT Gazette.



WO 2004/086086 A2

(54) Title: GUIDANCE OF INVASIVE MEDICAL DEVICES WITH COMBINED THREE DIMENSIONAL ULTRASONIC IMAGING SYSTEM

(57) Abstract:

GUIDANCE OF INVASIVE MEDICAL DEVICES WITH
COMBINED THREE DIMENSIONAL ULTRASONIC IMAGING SYSTEM

This invention relates to ultrasonic diagnostic imaging and, more particularly, to the use of three dimensional ultrasonic diagnostic imaging to guide the placement and operation of invasive (interventional) medical devices in the body.

Ultrasonic imaging is commonly used to image the insertion, use or operation of medical devices and instruments within the body. One such common use of ultrasound imaging is in the conduct of a biopsy procedure. An ultrasound probe is used to image the pathology of interest for the procedure such as a suspected tumor or cyst. The probe is manipulated until the pathology is visible in the image plane. A biopsy needle attachment for the probe then guides the insertion of the biopsy needle within the image plane and toward the pathology. The clinician follows the travel of the needle in the ultrasound image, being careful to keep the probe stationary and the needle within the image plane until the needle tip reaches the pathology. A specimen is extracted through the needle and the needle is withdrawn from the body. Ultrasonic imaging is thus used to guide the travel of the needle into the body and to observe the conduct of the biopsy procedure.

Biopsy needles have been designed with their own ultrasonic transmitters or receivers which interact with the imaging probe. Such ultrasonically responsive needles allow the needle and the imaging probe to signal each other and enable the needle and its tip to be more clearly identified in the ultrasound image plane. Ultrasonically responsive biopsy needles are described in US Pat. 5,158,088, for instance.

The planar imaging techniques are limited in that they provide a restricted, single image view of the internal site of the procedure. It would be desirable to provide a greater field of view of the site of the procedure to enable the clinician or surgeon to better guide and conduct the procedure. Improved imaging would assist biopsy procedures and also facilitate a wide range of invasive procedures such as the placement of stents and cannulae, the dilation or resection of vessels, treatments involving the heating or freezing of internal tissues, the placement of radioactive seeds or prosthetic devices such as valves and rings, the guidance of wires or catheters

through vessels for the placement of devices such as pacemakers, implantable cardiovertors/defibrillators, electrodes, and guide wires, the placement of sutures, staples and chemical/gene sensing electrodes, the guidance or operation of robotic surgical devices, and the guidance of endoscopic or minimally invasive surgical
5 procedures. Ultrasonic guidance would thus find expanded use in a broad range of invasive or interventional clinical applications including cardiac, pulmonary, central and peripheral nervous system procedures, gastrointestinal, musculoskeletal, gynecological, obstetrical, urological, ophthalmologic and otorhinolarygologic procedures.

In accordance with the principles of the present invention, three
10 dimensional ultrasonic imaging is used to guide or monitor the conduct of the placement and/or use of invasive (interventional) medical devices such as those enumerated above. In one embodiment the location of the interventional device or its activities are recorded in a three dimensional ultrasound image which consolidates information from both the three dimensional ultrasonic imaging system and the
15 interventional system. The consolidated image may be viewed on the ultrasound system, on the interventional system, or on the display of a combined ultrasonic imaging and interventional device system. In accordance with a further aspect of the present invention the locus of the interventional device is ultrasonically scanned in greater detail than the surrounding volume for greater visual precision and higher frame rate of
20 display of the guidance or use of the interventional device. In accordance with yet another aspect of the present invention, the results of the invasive procedure are recorded in a three dimensional reference system derived from three dimensional ultrasonic image data.

In the drawings:

25 FIGURE 1 illustrates in block diagram form the use of three dimensional ultrasonic imaging to guide or monitor an invasive instrument and procedure.

FIGURE 2 illustrates the three dimensional ultrasonic imaging of a catheter in the heart by a transthoracic transducer probe.

FIGURE 3 illustrates in block diagram form the functional subsystems of
30 a three dimensional ultrasonic imaging system suitable for use in an embodiment of the present invention.

FIGURE 4 illustrates in block diagram form another embodiment of the use of three dimensional ultrasonic imaging to guide or monitor an invasive instrument and procedure.

FIGURE 5 illustrates a method for positionally locating an invasive
5 medical device within the body by means of a two dimensional array transducer.

FIGURE 6 illustrates a second method for positionally locating an invasive medical device within the body.

FIGURE 7 illustrates the scanning of the volume around an invasive device with greater beam density than the surrounding image volume.

10 FIGURES 8-11 illustrate ultrasound displays of a volume of interest together with a greater volumetric field of view containing the volume of interest.

FIGURE 12 illustrates the display of three dimensional, two dimensional, and quantified ultrasonic measures of an interventional site.

15 FIGURE 13 illustrates the display of a detailed three dimensional ultrasonic image of an interventional device along with a greater volumetric view of the location of the interventional device.

FIGURE 14 illustrates the recording of the locus of interventional procedures in a three dimensional ultrasonic image.

20 FIGURE 15 illustrates the recording of the loci of interventional procedures in a wire frame model derived from three dimensional ultrasonic image data.

FIGURE 16 illustrates a simultaneous view of a live three dimensional image of an interventional device, a wire frame model recording the loci of interventional procedures, and ECG waveforms relating to the loci.

25 FIGURES 17-21 are flowcharts illustrating methods for combining image and/or locational data from a three dimensional ultrasonic imaging system and an interventional system.

FIGURE 22 illustrates in block diagram form a consolidated system for the conduct of an invasive procedure assisted by three dimensional ultrasonic imaging.

30 Referring first to FIGURE 1, the use of three dimensional ultrasonic imaging to guide or monitor an invasive instrument and procedure is shown in partial block diagram form. On the left side of the drawing is a three dimensional (3D) ultrasonic imaging system including a probe 10 having a two dimensional array

transducer. The transducer array transmits ultrasonic beams over a volumetric field of view 120 under control of an ultrasound acquisition subsystem 12 and receives echoes in response to the transmitted beams which are coupled to and processed by the acquisition subsystem. The echoes received by the elements of the transducer array are
5 combined into coherent echo signals by the acquisition subsystem and the echo signals along with the coordinates from which they are received (r, θ, ϕ for a radial transmission pattern) are coupled to a 3D image processor 14. The 3D image processor processes the echo signals into a three dimensional ultrasonic image which is displayed on a display 18. The ultrasound system is controlled by a control panel 16 by which the user defines
10 the characteristics of the imaging to be performed.

Also shown in FIGURE 1 is an interventional device system. The interventional device system includes an invasive (interventional) device 30 which performs a function within the body. In this drawing the interventional device is shown as a catheter, but it could also be some other tool or instrument such as a needle, a
15 surgical tool such as a dissection instrument or stapler or a stent delivery, electrophysiology, or balloon catheter, a therapy device such as a high intensity ultrasound probe or a pacemaker or defibrillator lead, a diagnostic or measurement device such as an IVUS or optical catheter or sensor, or any other device which is manipulated and operates within the body. The interventional device 30 is manipulated
20 by a guidance subsystem 22 which may mechanically assist the maneuvering and placement of the interventional device within the body. The interventional device 30 is operated to perform its desired function such as placing an item at a desired location, or measuring, illuminating, heating, freezing, or cutting tissue under the control of an interventional subsystem 20. The interventional subsystem 20 also received
25 information from the interventional device on the procedure being performed, such as optical or acoustic image information, temperature, electrophysiologic, or other measured information, or information signaling the completion of an invasive operation. Information which is susceptible of processing for display is coupled to a display processor 26. The interventional device may also have an active position sensor 32
30 which is used to provide information as to the location of the working tip within the body. The active position sensor 32 may operate by transmitting or receiving signals in the acoustic, optical, radio frequency or electromagnetic spectrum and its output is

coupled to a device position measurement subsystem 24. Alternately the sensor 32 may be a passive device such as a diffraction grating which is highly reflective of ultrasonic energy transmitted by the probe 10. Position information of the interventional device is coupled to the display processor 26 when appropriate for the processing or display of information concerning the position of the interventional within the body. Information pertinent to the functioning or operation of the interventional device is displayed on a display 28. The interventional device system is operated by a user through a control panel 27.

In the embodiment of FIGURE 1 the invasive device 30 is shown as a catheter which is performing a function at the wall of the left ventricle 102 of the heart 100. The full extent of the endocardial wall of the left ventricle is visible by three dimensional ultrasonic imaging of the volumetric field of view 120 of the 3D ultrasonic imaging system. The working tip of the interventional device 30 may include an x-ray, r.f. or ultrasonic device for imaging or ranging the endocardium, or a physiologic or thermal sensor which conducts diagnostic measurements of the endocardium, or an ablation device which treats lesions on the endocardium, or a placement device for an electrode, for example. The tip of the interventional device is manipulated to a point on the heart wall where such a function is to be performed by operation of the guidance subsystem 22. The interventional device is then commanded to perform its intended procedure by the interventional subsystem 20, and the location at which the procedure is performed by the device position measurement subsystem 24 which receives or transmits a signal from the sensor 32 at the time of the procedure, for instance.

The invasive procedure may be assisted by monitoring the procedure simply by visualizing the site of the procedure, the wall of the left ventricle in the foregoing example, by use of the three dimensional ultrasound system. As the interventional device 30 is manipulated within the body the three dimensional environment in which the device is operated can be visualized in three dimensions, enabling the operator to anticipate turns and bends of orifices and vessels in the body and to precisely place the working tip of the interventional device at the desired site of the procedure. It is necessary to see a large field of view in order to provide gross navigation with enough detailed resolution to guide the intervention within the vicinity of the invasive device. The operator can maneuver and reposition the probe 10 to

constantly keep the interventional device 30 within the probe's volumetric field of view. Since in the preferred embodiment the probe 10 has a two dimensional array which rapidly transmits and receives electronically steered beams, rather than a mechanically swept transducer, real time three dimensional ultrasonic imaging can be performed and
5 the interventional device and its procedure observed continuously and precisely in three dimensions.

In accordance with a further aspect of this first embodiment of the present invention, a signal path 42 connects the ultrasound acquisition subsystem 12 of the ultrasound system and the device position measurement subsystem 24 of the
10 interventional device system to allow synchronization of the imaging system and the interventional device. This synchronization allows image acquisition and interventional device operation to be done at different time interleaved intervals if the operation of one device would interfere with the other. For example, if the interventional device 30 is performing acoustic imaging of the heart or vessel wall, it is desirable for these acoustic
15 intervals to occur when they will not be disrupted by acoustic transmissions from the 3D imaging probe 10. It may be desirable to suspend imaging when the interventional device is transmitting high energy signals for ablation or some other procedure that would interfere with the imaging signals from the probe 10. The synchronization also enables the ultrasound system to ask for and receive position information from the
20 interventional device when the ultrasound system is producing a 3D ultrasound image with an enhanced representation of the position of the interventional device shown in the 3D ultrasound image. The ultrasound system may also ask for and receive position information from the interventional device when the ultrasound system is recording the location of a procedure performed by the interventional device for future reference, as
25 will be discussed more fully below.

In accordance with a another aspect of this first embodiment of the present invention, image data may be exchanged over a signal path 44 between the 3D image processor 14 of the ultrasound system and the display processor 26 of the interventional device system for the formation of a 3D image containing information
30 from both systems. This enables the display of an image of the interventional device 30, produced by the interventional device system, as part of a 3D ultrasound image produced by the ultrasound system. Such a fusion of the imaging capabilities of both

systems better enables the physician to guide and utilize the interventional device, aided by the extensive three dimensional field of view afforded by the ultrasound system and the device image data produced by the interventional device system.

FIGURE 2 illustrates practice of the present invention when the three dimensional ultrasound probe used is a transthoracic probe 10. In this example the heart 100, shown in partial outline behind the rib cage 110,112, is located behind the left side of the rib cage. Outlined within the heart and cross-hatched is the left ventricle 102 of the heart 100. The left ventricle can be accessed for ultrasonic imaging by scanning the heart from between the ribs 110,112 for adult patients and, for some pediatric patients, by scanning upward from below the lowest rib 112. The probe 10 scans the heart from the heart apex 104 as indicated by the outline 120 of the volumetric field of view scanned by the probe 10. As FIGURE 2 illustrates, the left ventricle 102 can be fully encompassed and scanned by the volumetric field of view directed from between the rib cage 110,112.

While this embodiment illustrates phased array scanning of the volumetric region 120 in a conical field of view, one skilled in the art will recognize that other scan formats may also be employed such as those which scan a rectangular or hexagonal pyramidal field of view. It will also be appreciated that probes other than transthoracic probes may be used for three dimensional scanning such as transesophageal probes, intracavity probes such as vaginal or rectal probes, and intervascular probes such as catheter-mounted transducer probes. While an electronically scanned two dimensional array transducer is preferred, mechanically scanned arrays may be preferred for some applications such as abdominal procedures.

FIGURE 3 illustrates some of the components of the 3D ultrasound system of FIGURE 1 in further detail. The elements of a two dimensional array transducer 50 are coupled to a plurality of microbeamformers 62. The microbeamformers control the transmission of ultrasound by the elements of the array transducer 50 and partially beamform echoes returned to groups of the elements. The microbeamformers 62 are preferably fabricated in integrated circuit form and located in the housing of the probe 10 near the array transducer. Microbeamformers, or subarray beamformers as they are often called, are more fully described in US Pats. 6,375,617 and 5,997,479. The probe 10 may also include a position sensor 52 which provides

signals indicative of the position of the probe 10 to a transducer position detector 54. The sensor 52 may be a magnetic, electromagnetic, radio frequency, infrared, or other type of sensor such as one which transmits a signal that is detected by a voltage impedance circuit. The transducer position signal 56 produced by the detector 54 may
5 be used by the ultrasound system or coupled to the interventional device system when useful for the formation of spatially coordinated images containing information from both systems.

The partially beamformed signals produced by the microbeamformers 62 are coupled to a beamformer 64 where the beamformation process is completed. The
10 resultant coherent echo signals along the beams are processed by filtering, amplitude detection, Doppler signal detection, and other processes by a signal processor 66. The echo signals are then processed into image signals in the coordinate system of the probe (r, θ, ϕ for example) by an image processor 68. The image signals are converted to a desired image format (x, y, z Cartesian coordinates, for example) by a scan converter 70.
15 The three dimensional image data is coupled to a volume renderer 72 which renders a three dimensional view of the volumetric region 120 as seen from a selected look direction. Volume rendering is well known in the art and is described in US Pat. 5,474,073. Volume rendering may also be performed on image data which has not been scan converted as described in US [patent application serial number 10/026,996, filed
20 December 19, 2001 by Alistair Dow and Paul Detmer.] During two dimensional imaging the image plane data bypasses the volume renderer and is coupled directly to a video processor 76 which produces video drive signals compatible with the requirements of the display 18. The volume rendered 3D images are also coupled to the video processor 76 for display. The system can display individual volume rendered
25 images or a series of volume rendered images showing the dynamic flow and motion of the anatomy being imaged in real time. In addition, two volume renderings can be done of a volumetric data set from slightly offset look directions, and the two displayed simultaneously on a stereoscopic display as described in US Pat. [application serial number 60/43,096 (attorney docket 020478), filed December 3, 2002 by Jonathan Ziel
30 and entitled "Method and Apparatus to Display 3D Rendered Ultrasound Data on an Ultrasound Cart in Stereovision"]. A graphics processor 74 receives either scan converted image data from the scan converter 70 or unscan-converted image data from

the image processor 68 for analysis and the generation of graphics, such as visual emphasis of the tip of an interventional device or the detection of the border of an organ within the image field. The visual emphasis may be provided by an enhanced or unique brightness, color, or volume rendering process for imaging the tip of the device, for
 5 example. The resultant graphics are coupled to the video processor where they are coordinated and overlaid with the image for display.

FIGURE 4 illustrates another embodiment of the present invention. This embodiment differs from that of FIGURE 1 in that there is a connection 46 from the probe 10 to the device position measurement subsystem 24 of the interventional device
 10 system. In this embodiment the probe 10 includes the position sensor 52. Rather than process the probe position signal by the transducer position detector 54 in the ultrasound system, the signal is processed by the same subsystem that processes the position signal from the interventional device 30. The two position signals allow a direct correlation of the positions of the interventional device and the probe to be performed by the
 15 interventional device system and used for coordinated imaging of the two systems.

FIGURE 5 illustrates one technique by which the position of the interventional device 30 is detected by the probe 10. In the drawing a transducer 32 located on the interventional device 30 transmits an acoustic pulse which is received by three elements 51, 51' and 51'' of the transducer array 50. The elements 51 and 51' are
 20 spaced apart from element 51'' by known distances a and b. By measuring the times of arrival of the pulse from the interventional device at the three elements the position of the transducer 32 with respect to the array transducer 50 can be calculated by triangulation. This can be performed by computing

$$x_position = \frac{(a^2 + v^2(t_0^2 - t_a^2))}{2a}$$

$$y_position = \frac{(b^2 + v^2(t_0^2 - t_b^2))}{2b}$$

$$z_position = \sqrt{v^2 t_0^2 - x_position^2 - y_position^2}$$

25 where t_0 is the time of flight of the pulse to element 51'', t_a is the time of flight to element 51 and t_b is the time of flight to element 51' and v is the speed of sound (approximately 1550 m/sec) in the body.

FIGURE 6 illustrates a technique for locating the position of the interventional device in which ultrasound pulses from the imaging probe 10 are received by a transducer 32 on the interventional device 30. The transducer 32 listens for pulses from the probe 10. The transmit beam with the strongest signal or the shortest time of flight to the transducer 32 corresponds to the direction of the transducer 32 with respect to the transducer array 50. The distance R between the probe 10 and the transducer 32 is determined by the time of flight of the transmitted pulse. In this embodiment the connection 46 or the synchronizing line 42 would be used to exchange the times of transmission and/or reception information between the ultrasound system and the interventional device system.

An interventional device with its own ultrasonic transducer can be used to provide other locational information. For instance, if the interventional device has an ultrasonic transducer which is capable of transmitting and receiving from a distal end of the device, the transducer can be used for ranging, sending out pulses and receiving echoes from targeted tissues or tissue interfaces and thereby monitoring or measuring or displaying the distance between a distal part of the device and nearby anatomy from the time-of-flight of the transmit-receive interval. In one embodiment of such a device, the operator can visually observe the device approaching the tissue of interest in the three dimensional image, and can also observe a measure of the distance between the device and the tissue. The distance measure can for example be displayed numerically in centimeters, or in a quantified display such as an M-mode display, in which the progressive closure of the device with the tissue can be seen over an interval of time.

The location of the interventional device may also be detected if desired by signal and/or image processing techniques in the ultrasound system. For example, the use of a highly reflective element on the interventional device 30 such as a diffraction grating as shown in US Pat. 4,401,124 may be used to produce a distinctly identifiable echo return from the interventional device. Alternatively if the interventional device has excessive specular reflective characteristics, it may be desirable to use a device which provides better scattering and/or absorption of ultrasound energy, such as one with a roughened or absorptive surface. This would allow the system gain to be increased for better definition of the tissue structure in the 3D image, while at the same time the interventional device does not overwhelm the

image with bright, strongly reflected echoes. Another alternative is to identify the shape of the interventional device tip by image processing such as automated border detection of the tip in the images. Yet another approach is to cause the tip of the interventional device to be vibrated so that it produces a Doppler return as described in US Pat. 5,095,910. Other embodiments using transducers on the interventional device may be found in US Pats. 5,158,088 and 5,259,837. Other sensor types for invasive devices such as magnetic field coils may be employed as described in US Pat. 6,332,089.

One of the difficulties when conducting 3D ultrasonic imaging of interventional devices is that a wide or deep volumetric field of view is usually required to adequately image the device in the environs of its path of travel and procedure. This means that a significant number of beams must be transmitted and received to adequately scan the volumetric field of view with the desired resolution and without spatial aliasing. Furthermore, the depth of the field of view requires significant times of travel of the transmitted pulses and received echoes. These characteristics cannot be avoided as they are mandated by the law of physics governing the speed of sound in the body. Accordingly a significant amount of time is needed to acquire a full three dimensional image, and the frame rate of display will often be lower than desired. FIGURE 7 illustrates one solution to this dilemma, which is to use a different scanning methodology in the vicinity of the interventional device than is employed in the outer reaches of the wide field of view. In the illustrated example, the location of the interventional device is determined by one of the techniques discussed above. This information is communicated to the ultrasound acquisition subsystem 12, when then transmits a greater beam density in the volumetric region 122 surrounding the interventional device 30. In the remainder of the volumetric field of view 120 more widely spaced transmit beams are employed. The space between the widely spaced transmit beams may be filled in by interpolating synthetic echo signals if desired. By this technique the volumetric region 122 surrounding the interventional probe will be shown with higher definition and resolution, enabling the physician to accurately guide and use the device at the site of the procedure. The remaining volumetric space will be shown with less definition but sufficient to orient the interventional device and procedure in the surrounding tissue. The beam density within the volumetric region of the interventional device can be uniformly high with the surrounding space scanned

with uniformly lesser beam density. Alternatively, the highest beam density can be employed in the vicinity of the device sensor 32, with the beam density declining with greater distances from the interventional device. By continuously tracking the location of the interventional device 30 the volumetric region 122 is constantly redefined as
5 needed to spatially correspond to the location of the interventional device 30.

Another variation in beam density which may be employed is to use different orders of received multilines in the proximity of the interventional device and in the surrounding volume. Variation in multiline order and transmit beam density can be used together or separately. For example the same spatial transmit beam density can
10 be used throughout the scanned volume, but higher order multiline (a greater number of differently steered receive lines for each transmit beam) is used in the vicinity of the interventional device than in the surrounding volume to produce a more detailed image in the region of the interventional device. As a second example, a lesser spatial transmit beam density is used in the surrounding volume than is used in the vicinity of the
15 interventional device. Higher order multiline is then used in the surrounding volume to fill in the spaces between transmit beam axes with a relatively large number of received multilines and a lower order of multiline reception is used in the vicinity of the interventional device to fill in the lesser spacing between transmit beam axes with a relatively fewer number of received multilines for each transmit beam. This latter
20 approach will reduce the multiline artifact of echo intensity variation as a function of the distance of each received multiline from the transmit beam axis in the vicinity of the interventional device where a more detailed view is desired.

FIGURES 8-13 illustrate displays 99 of other techniques for dealing with this problem of 3D frame rate decline. In FIGURE 8 the 3D locus 82 of the
25 interventional device 30 is scanned with a high beam density and/or frame rate. The volumetric region 82 is shown in the same display 99 with a wider planar field of view 80. The plane 80 may be scanned less frequently or with a lesser beam density than that of the volumetric region 82 of the device 30. Different orders of multiline reception may also be employed. Scanning the area 80 with a lesser beam density means that a
30 greater volume or area can be scanned with the same number of transmit-receive cycles as were needed to scan the higher beam density volume 82. Thus a wider field of view can be scanned with lesser beam density and the frame rate of the full image shown in

FIGURE 8 is increased. An outline 82' depicts the location of the interventional device volume 82 in relation to the image plane 80. In FIGURE 9 the wider field of view is provided by a 3D image 84 with a lesser beam density and/or frame rate than that of the separate interventional device volume 82. The location of the interventional device volume 82 in relation to the greater volume image 84 is indicated by the outline 82'. In FIGURE 10 the interventional device volume 82 is shown in its correct spatial location in relation to the image plane 80. In FIGURE 11 the interventional device volume 82 is shown in its true spatial position in the more lightly sampled volume 84, the approach depicted in FIGURE 7.

FIGURE 12 illustrates a display 99 of a three dimensional ultrasonic image 400 of a system of vasculature 404,406. An interventional procedure such as the placement of a stent has been performed at a location 410 that is recorded in the image. The location 410 was marked by detecting the location of the interventional device at the time of the setting of the stent and is thereafter continuously shown in its recorded spatial location in the body. The three dimensional image 400 provides a comprehensive view of the locus of the stent, and is produced with a lower beam density and/or frame rate than that of a plane 402 of the volumetric region 400. The image of the plane 402 is shown adjacent to the volumetric field of view and contains the locational marker 410. By scanning this image plane 402 with a greater beam density and/or a higher frame rate the physician is better able to observe the result of the interventional procedure. In addition, an image 408 particular to the procedural site location 410 is shown in the display. This will typically be a time-based display such as an EKG trace, a spectral Doppler display, an M-mode display, or a color M-mode display, all of which provide physiological information as a function of time.

FIGURE 13 illustrates a display 99 employing the techniques shown in FIGURES 9 and 11. In this display a wide field of view three dimensional hexagonal image 300 which is scanned at a lesser beam density and/or frame rate reveals the expanse of a vasculature system 12. An interventional device 12 performing a procedure at a point in the vasculature is shown in a more highly resolved volumetric region 306. The interventional device volume 306 is also shown separately in the same display in a zoomed view 308 in which the point of the procedure is shown in greater

detail. This embodiment combines several of the features of the earlier embodiments. Other variations will readily occur to those skilled in the art.

FIGURE 14 illustrates an embodiment of the present invention in which the results of an invasive treatment regime are recorded in a three dimensional ultrasonic image. This drawing illustrates a catheter 30 with a working tip which ablates lesions on the heart wall. As each lesion is treated the location of the treatment is marked by use of the position sensor 32 or one of the interventional device detection techniques discussed above. Another technique for detecting the position of the catheter is to apply electrodes of different voltages to opposite sides of the body to create a spatial voltage gradient across the body. The sensor 32 detects the impedance at its location in the gradient field, which corresponds to the spatial location of the catheter working tip. By using multiple electrodes at different times and places on the body, the location of the working tip can be sensed in three dimensions. These treatment locations are stored in memory and can be used to map the general region where the treatment occurred, such as the heart wall. In accordance with a further aspect of the present invention, the treatment location information is merged with the three dimensional ultrasonic image data to visually mark the treatment locations on the endocardial wall as shown by the circular markers 92,94 in FIGURE 14. Recording the sequence of live three dimensional ultrasound images not only records the activity of the interventional device but also the progress and history of the treatment procedure.

FIGURE 15 illustrates an embodiment in which the progress and history of the treatment procedure is recorded on a model of the anatomy being treated, in this case a wire frame model 130. This wire frame model 130 is of the heart wall of the left ventricle, and may be formed by border detection of the three dimensional data set as described in US Pat. 6,491,636 (Chenal et al.) or in US Pat. 5,601,084 (Sheehan et al.) or published European patent specification EP 0 961 135 B1 (Mumm et al). As treatment procedures are performed at specific points on the heart wall, those locations are detected by use of the sensor 32 or one of the interventional device detection techniques discussed above. Those locations 132,134,136 are then recorded in the proper spatial locations on the 3D wire frame model 130, where they may appear as unique colors or intensities. The wire frame model may be a live, real time model which moves in correspondence with the moving heart, or it may be a representation of

the heart intermediate the heart's shape and size at end systole and end diastole, or it may be a wire frame model of the heart at its moment of greatest expansion at end diastole.

FIGURE 16 illustrates a display screen 99 which shows cardiac
5 information in three ways: a live three dimensional image 100 of the heart and an interventional device 30, a wire frame model 130 of the chamber of the heart undergoing treatment, and multiple ECG traces 140 taken at points of the heart designated by the interventional device 30. The separate ECG traces may be labeled,
10 colored, or visually designated in some other way to show correspondence with the locations at which they were acquired, which locations may also be shown by markers on the three dimensional ultrasonic image 100, the wire frame model 130, or both. Such a display enables visual monitoring of the live procedure, a visual record of the procedures performed, and measurement data acquired at the sites of the procedures.

FIGURES 17-21 are flowcharts which illustrate several ways in which
15 the three dimensional ultrasonic image data acquired by the ultrasound system can be merged with spatially based data of the interventional device such as location or image data. In the process of FIGURE 17 acquired 3D ultrasound data is volume rendered by the ultrasound system to form a 3D ultrasound image in step 202. In step 204 the volume rendered ultrasound image and data identifying the position of the array
20 transducer 50 or probe 10 is transmitted to the interventional system. In step 206 the 3D ultrasound image is converted to the frame of reference of the data of the interventional system. This may involve rescaling the coordinate data of the 3D ultrasound image to match the coordinate scaling of the interventional system data. Once the ultrasound image data has been converted, the ultrasound image and the interventional device data
25 are aligned (step 208) through the use of the probe and interventional device coordinate information and combined (step 210) to form a consolidated three dimensional image for display 28 containing spatially accurate information about the interventional device and/or its procedure.

In the process of FIGURE 18 there is no initial volume rendering of the
30 3D ultrasound image data. Instead, the process begins in step 212 with the scan conversion of the 3D ultrasound image data to form a Cartesian referenced 3D data set. In step 214 the scan converted 3D data set and the probe or array transducer position

information is transmitted to the interventional system. In step 216 the 3D ultrasound image data is converted to the frame of reference of the data of the interventional system. Again, this may be done by rescaling the coordinate data of the 3D ultrasound image to match the coordinate scaling of the interventional system data. In step 218 the
5 3D image data set and the interventional device data are combined on the basis of their common reference frame. The merged data sets are then volume rendered by the interventional system in step 220 to produce a composite three dimensional ultrasonic image containing spatially accurate information about the interventional device and/or its procedure.

10 In the process of FIGURE 19 the data acquired by the interventional device, such as position or image data, is transmitted to the ultrasound system in step 230. In step 232 the interventional device data is converted to the frame of reference of the ultrasound probe or transducer as by rescaling the data. In step 234 the interventional device data is combined with 3D scan converted ultrasonic image data.
15 In step 236 the combined data is volume rendered to form a three dimensional ultrasonic image containing spatially relevant information from the interventional system. The images thus produced are displayed on the ultrasound system display 18.

In the process of FIGURE 20 volume rendered video data produced by the interventional system is transmitted to the ultrasound system in step 240. In step
20 242, three dimensional ultrasound image data is rescaled and oriented to match the frame of reference of the interventional system data. The three dimensional ultrasound image data is then rendered in step 244 from the frame of reference or perspective that was used in the rendering of the interventional system data. The interventional system video data and the 3D ultrasound image data, now rendered to the same frame of
25 reference, may now be combined to form a consolidated three dimensional image in step 246.

In the process of FIGURE 21 volume rendered 3D ultrasound video data is transmitted to the interventional system in step 250. In step 252 interventional system image data is rescaled and oriented to the frame of reference of the 3D ultrasound
30 rendering. In step 254 the interventional system image data is rendered to the same frame of reference as that of the 3D ultrasound image. In step 256 the commonly

referenced interventional system video data and the 3D ultrasound video data are combined into a consolidated image.

It will be apparent to those skilled in the art that three types of coordinate transformations between the three dimensional ultrasound data and the interventional
5 device location data are possible. The interventional device data can be transformed to the coordinate system of the 3D ultrasound image, or the 3D ultrasound image data can be transformed to the coordinate system of the interventional device data, or both sets of data can be translated to a user-chosen scale or frame of reference.

The principles of the foregoing data combining processes may be applied
10 in the embodiment of FIGURE 22 which is a combined 3D ultrasonic imaging and interventional device system. In this embodiment the interventional device 30 is manipulated by the guidance system 22 and operated to perform its procedure under control of the intervention subsystem 20. At times signaled by the intervention subsystem or the ultrasound acquisition subsystem the device position measurement
15 subsystem 24 acquires locational information of the imaging probe 10, the interventional device 30, or both. The 3D ultrasonic image data acquired by the probe 10 and the ultrasound acquisition subsystem 12, and the interventional data acquired by the intervention subsystem, and the location data of the probe 10, the interventional device 30, or both, are then processed to form a consolidated 3D ultrasound image by
20 the 3D image processor 14. The 3D image containing interventional device and/or procedure information is then displayed on the display 18. The entire imaging and interventional system is controlled by a user control panel 29.

As used herein the terms "surgical region", "surgical guidance", and "surgery" encompass any medical procedure in which a medical instrument or device is
25 introduced into the body for a medical purpose.

WHAT IS CLAIMED IS:

1. A method of producing a three dimensional ultrasonic image containing spatial information of the placement or operation of an invasive medical
5 device (30) comprising:
 - acquiring a three dimensional ultrasonic image data set from a volumetric region (120) containing an invasive medical device (30);
 - volume rendering the three dimensional ultrasonic image data set to produce a three dimensional ultrasonic image (100);
 - 10 transmitting the three dimensional ultrasonic image (100) to an interventional system;
 - converting the three dimensional ultrasonic image (100) to a frame of reference of the interventional system;
 - aligning the three dimensional ultrasonic image (100) with position or
15 image data of the invasive medical device (30); and
 - combining the position or image data of the invasive medical device (30) with the three dimensional ultrasonic image (100).
2. The method of Claim 1, wherein acquiring further comprises
20 acquiring a three dimensional ultrasonic image data set with an array transducer (50); and further comprising acquiring transducer position information, wherein transmitting further comprises transmitting the transducer position information to the interventional system.
- 25 3. The method of Claim 1, wherein the method is performed to produce three dimensional ultrasonic images for real time display.
4. A method of producing a three dimensional ultrasonic image (100) containing spatial information of the placement or operation of an invasive
30 medical device (30) comprising:
 - acquiring a three dimensional ultrasonic image data set from a volumetric region (120) containing an invasive medical device (30);

scan converting the three dimensional ultrasonic image data set;
transmitting the scan converted three dimensional ultrasonic image data
set to an interventional system (20);

5 converting the three dimensional ultrasonic image data set to a frame of
reference of the interventional system (20);

combining the three dimensional ultrasonic image data set with position
or image data of the invasive medical device (30); and

volume rendering the combined data to produce a composite three
dimensional image (100).

10

5. The method of Claim 4, wherein acquiring further comprises
acquiring a three dimensional ultrasonic image data set with an array transducer (50);
and further comprising acquiring transducer position information, wherein transmitting
further comprises transmitting the transducer position information to the interventional
15 system (20).

6. The method of Claim 4, wherein the method is performed to
produce composite three dimensional images (100) for real time display.

20

7. A method of producing a three dimensional ultrasonic image
(100) containing spatial information of the placement or operation of an invasive
medical device (30) comprising:

transmitting position or image data of an invasive medical device (30) to
an ultrasonic imaging system (12);

25

converting the device position or image data to a frame of reference of
the ultrasonic imaging system (12);

acquiring a three dimensional ultrasonic image data set from a
volumetric region (120) containing the invasive medical device (30);

scan converting the three dimensional ultrasonic image data set;

30

combining the scan converted three dimensional ultrasonic image data
set with the position or image data of the invasive medical device (30); and

volume rendering the combined data to produce a composite three dimensional image (100).

8. The method of Claim 7, wherein the method is performed to
5 produce composite three dimensional images for real time display.

9. A method of producing a three dimensional ultrasonic image
(100) containing spatial information of the placement or operation of an invasive
medical device (30) comprising:

10 transmitting volume rendered video data from an interventional system
(20) to an ultrasonic imaging system (12);

acquiring a three dimensional ultrasonic image data set from a
volumetric region (120) containing an invasive medical device (30);

15 scaling and orienting the three dimensional ultrasonic image data set to a
frame of reference of the interventional system (20);

volume rendering the three dimensional ultrasonic image data set to
produce a three dimensional ultrasonic image (100); and

combining the interventional system video data and the three
dimensional ultrasonic image (100).

20

10. The method of Claim 9, wherein the method is performed to
produce combined interventional system video data and three dimensional ultrasonic
images (100) for real time display.

25 11. A method of producing a three dimensional ultrasonic image
(100) containing spatial information of the placement or operation of an invasive
medical device (30) comprising:

30 transmitting volume rendered three dimensional ultrasound video data of
a volumetric region (120) containing an invasive medical device (30) to an
interventional system (20);

scaling and orienting interventional system video data to a frame of
reference of the ultrasound video data;

volume rendering the interventional system video data; and
combining the volume rendered interventional system video data and the
volume rendered three dimensional ultrasound video data.

- 5 12. The method of Claim 11, wherein the method is performed to
produce combined volume rendered interventional system video data and three
dimensional ultrasound video data for real time display.

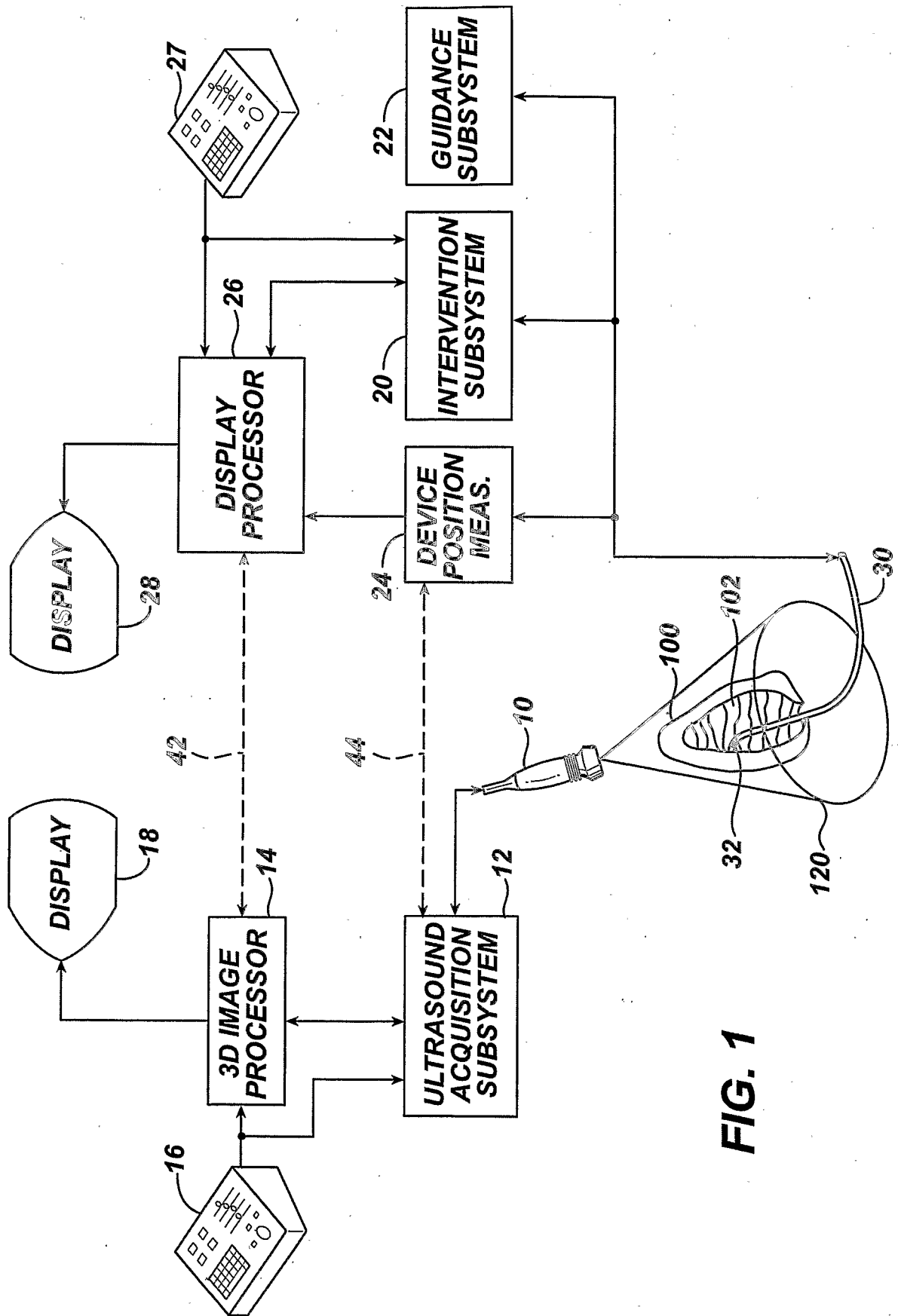
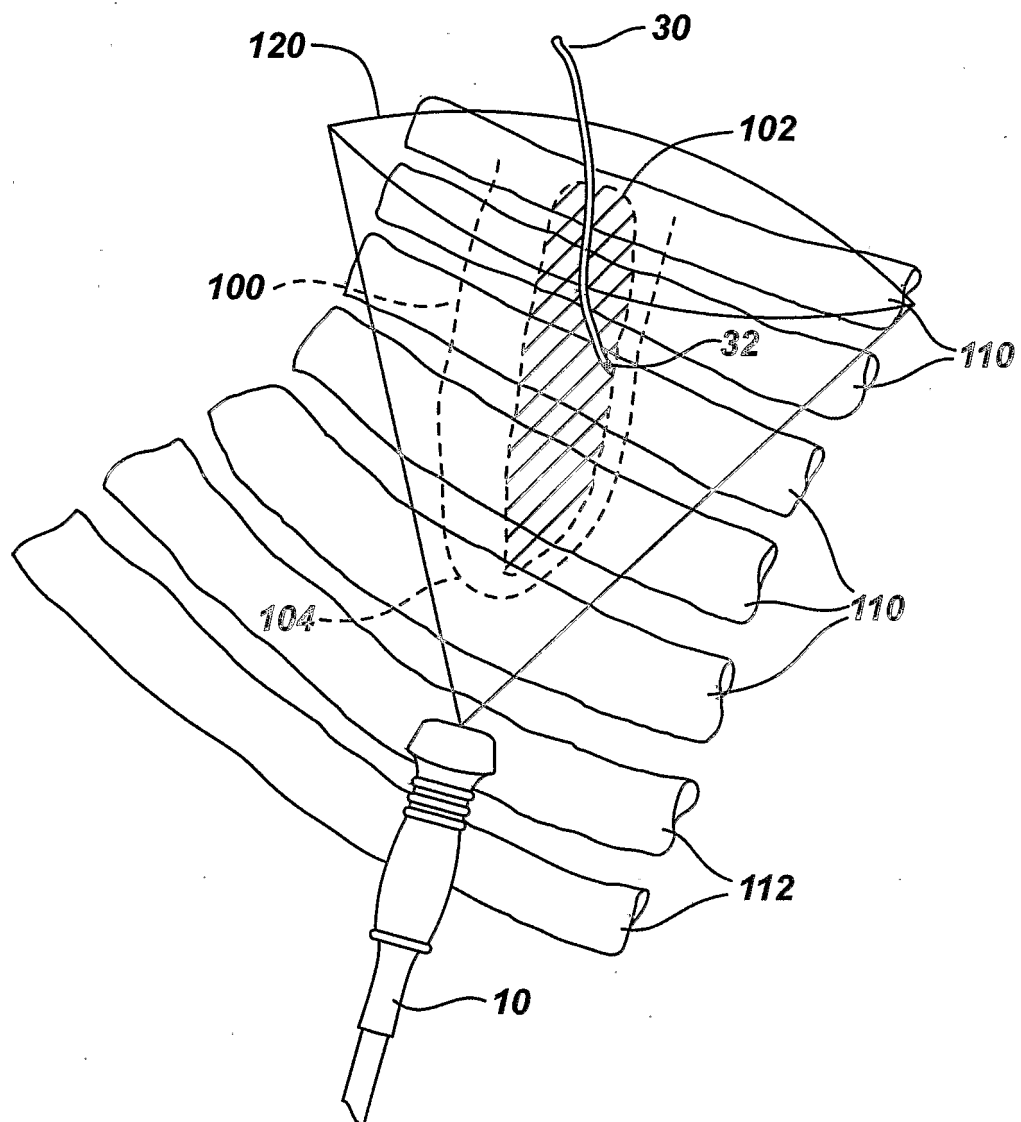


FIG. 1

FIG. 2



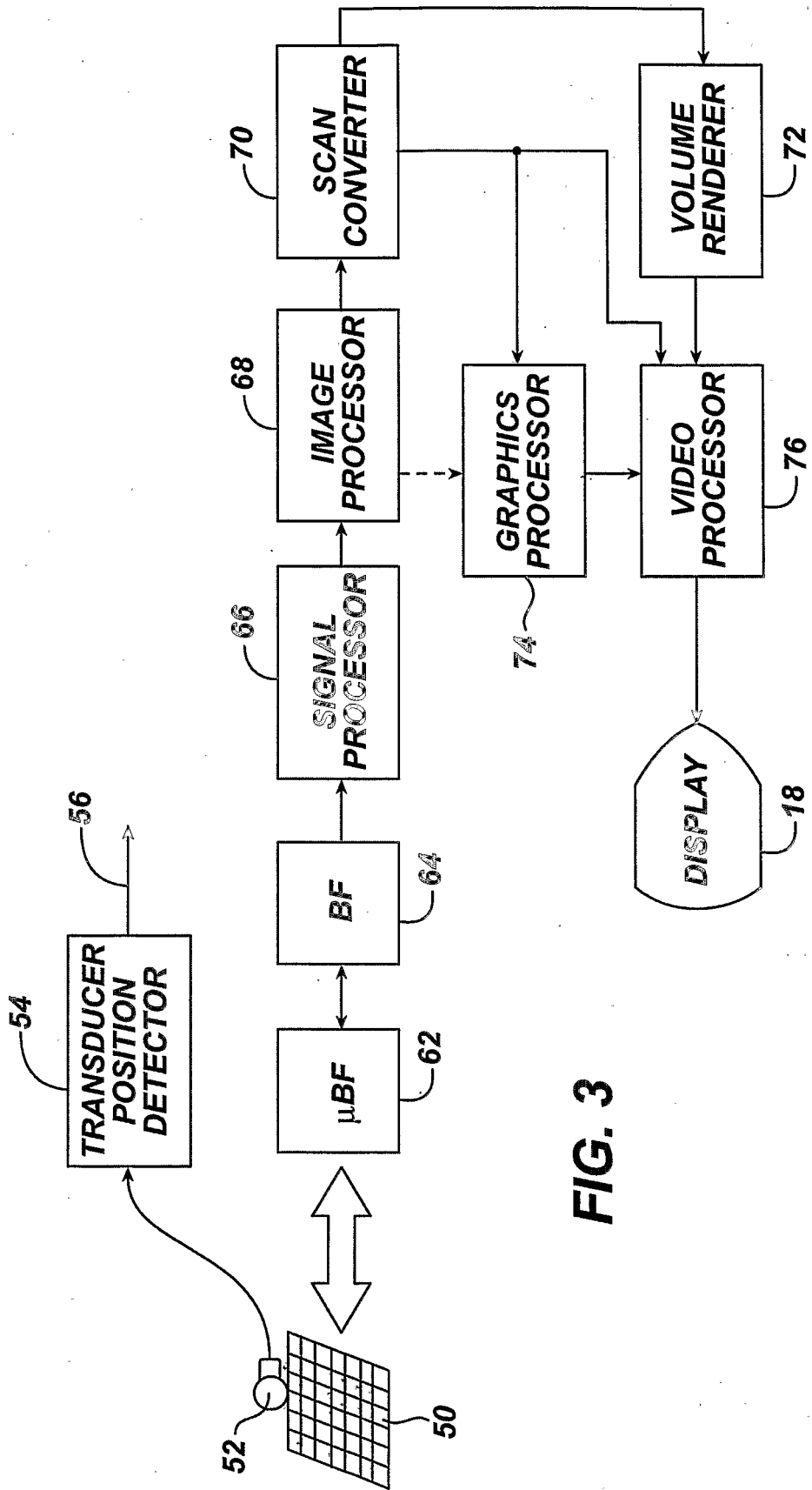


FIG. 3

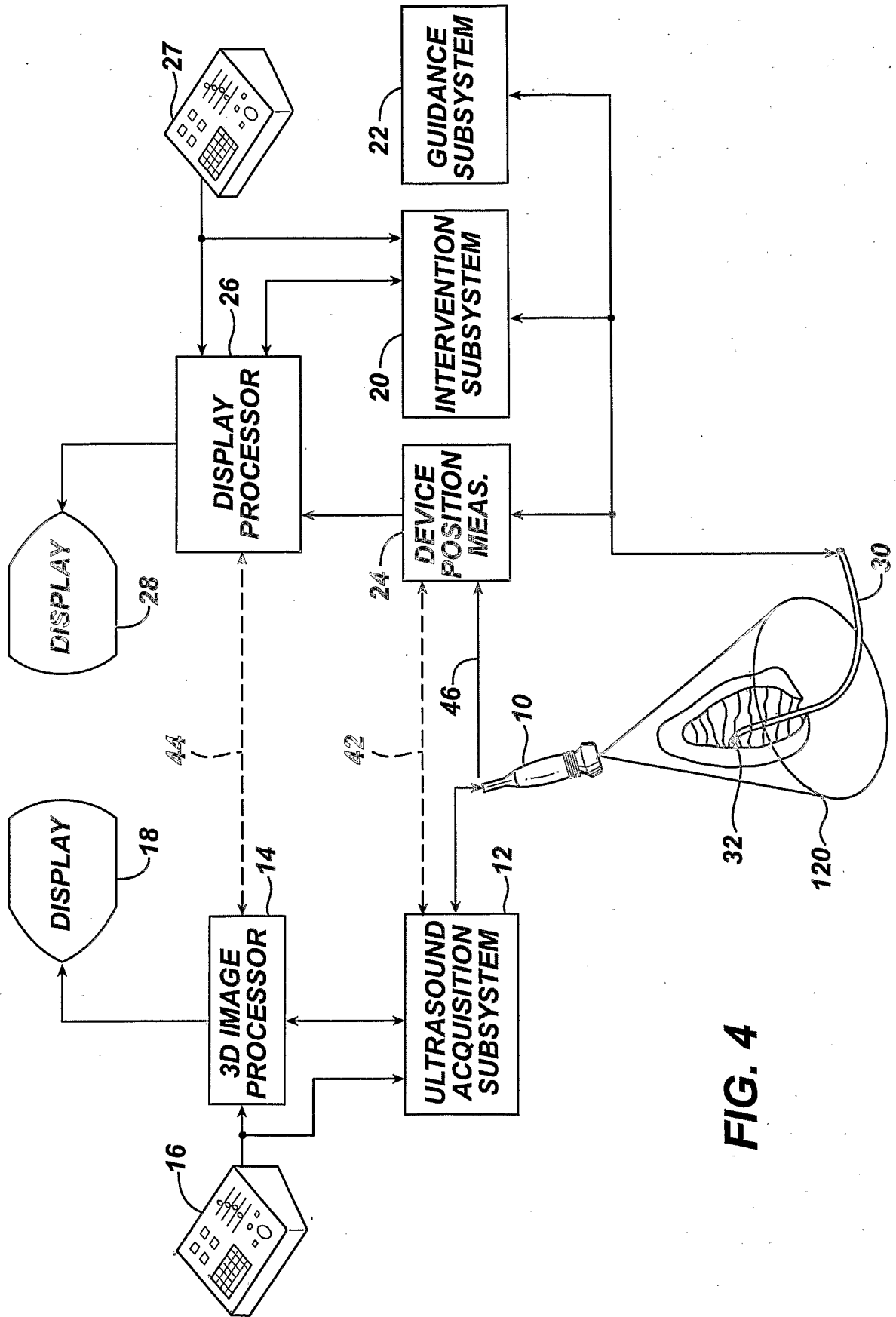


FIG. 4

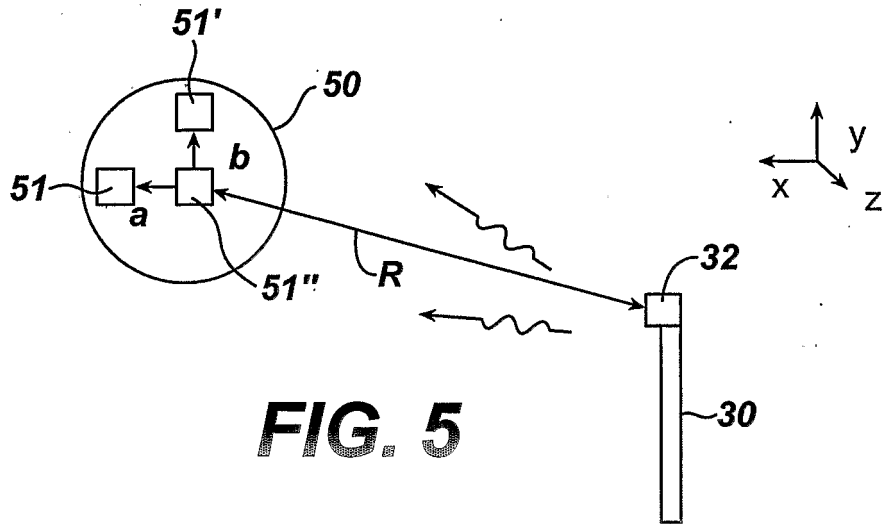


FIG. 5

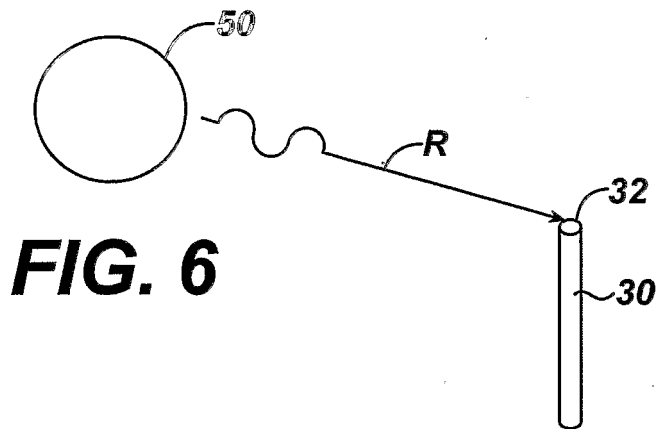


FIG. 6

FIG. 7

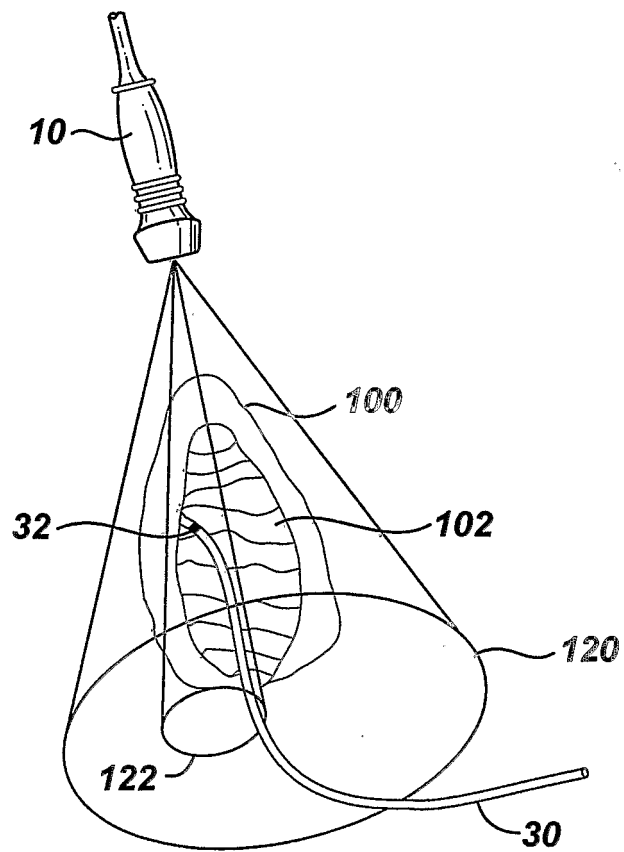


FIG. 8

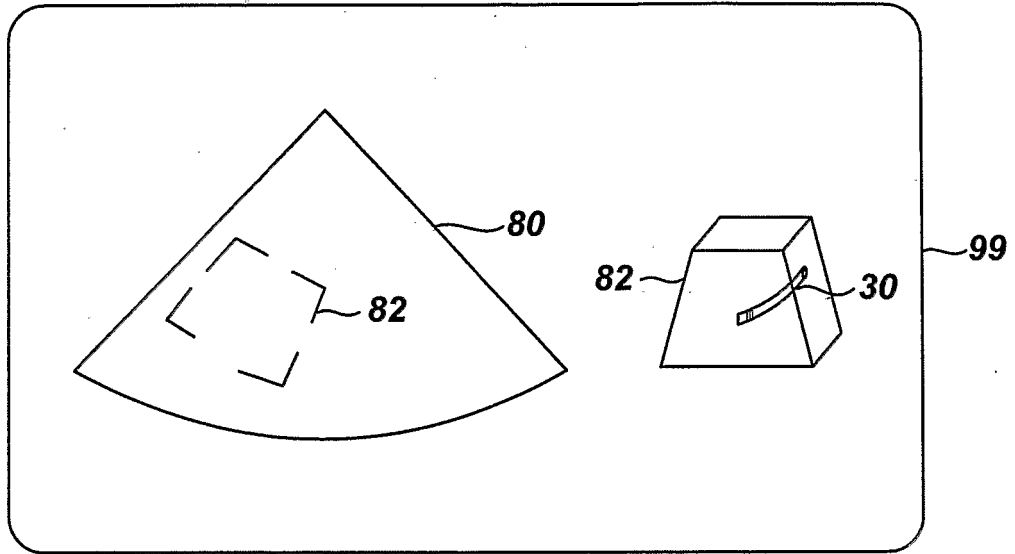


FIG. 9

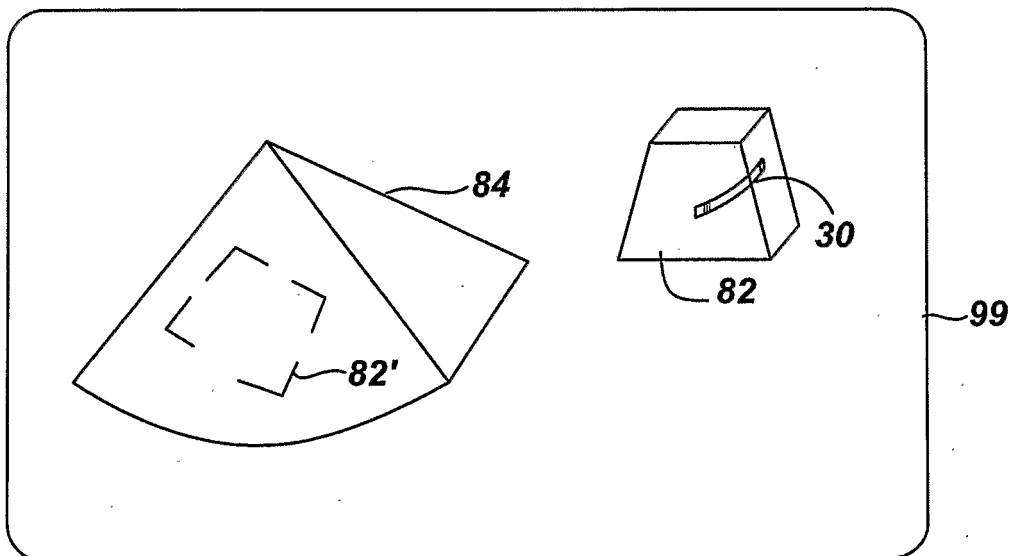


FIG. 10

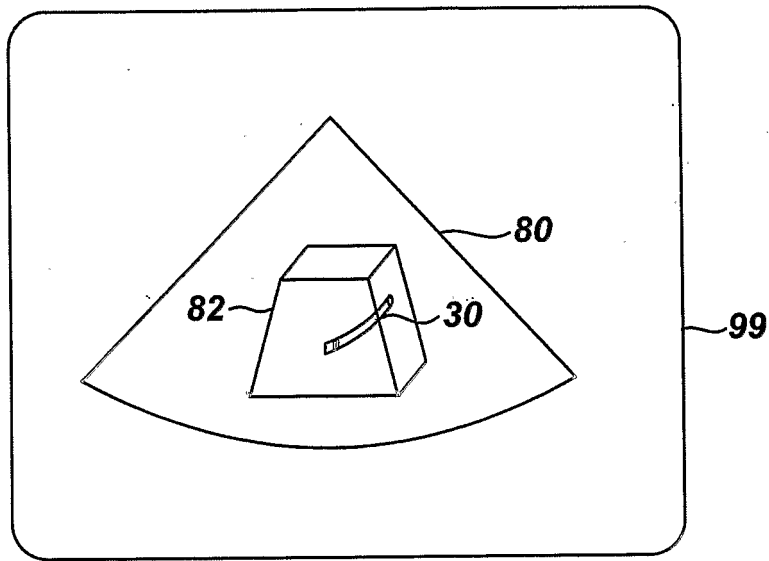


FIG. 11

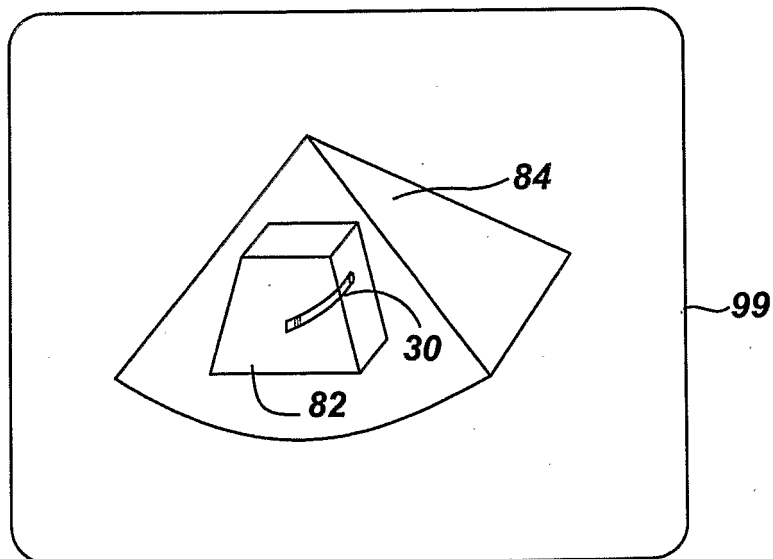


FIG. 12

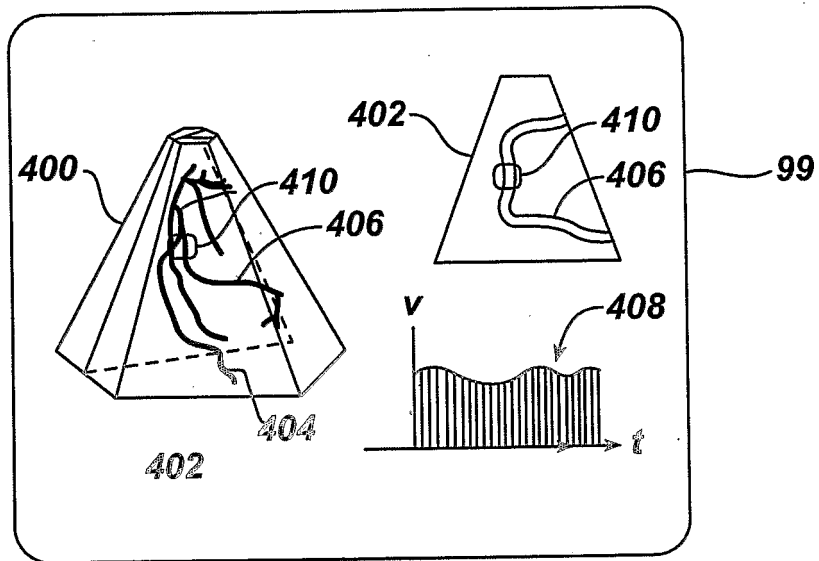


FIG. 13

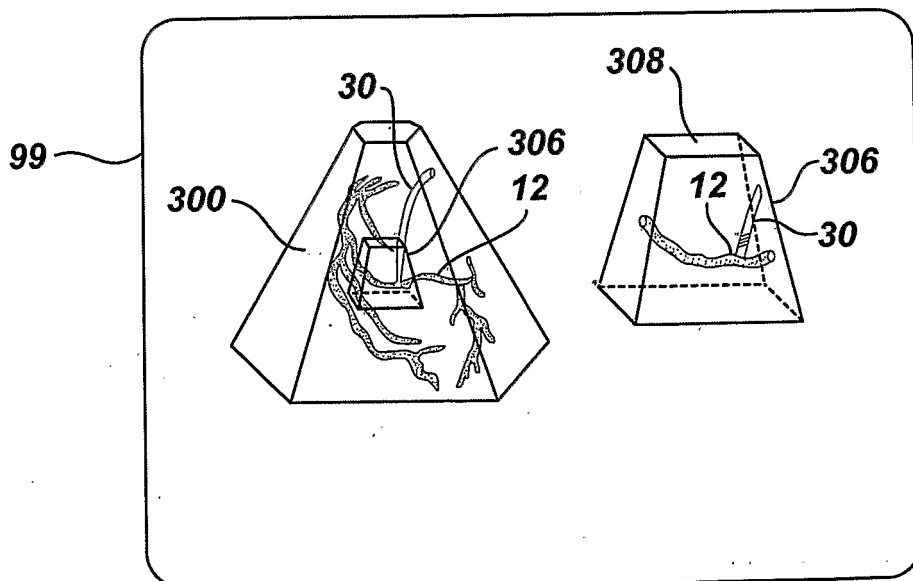


FIG. 14

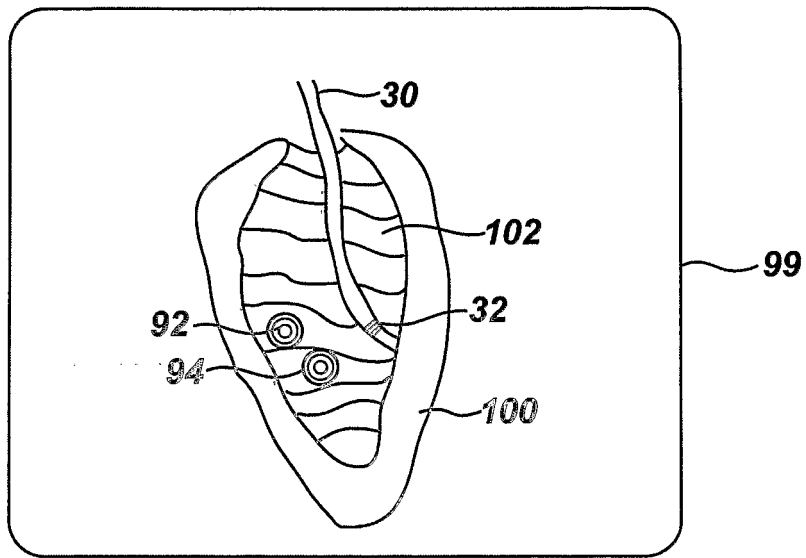


FIG. 15

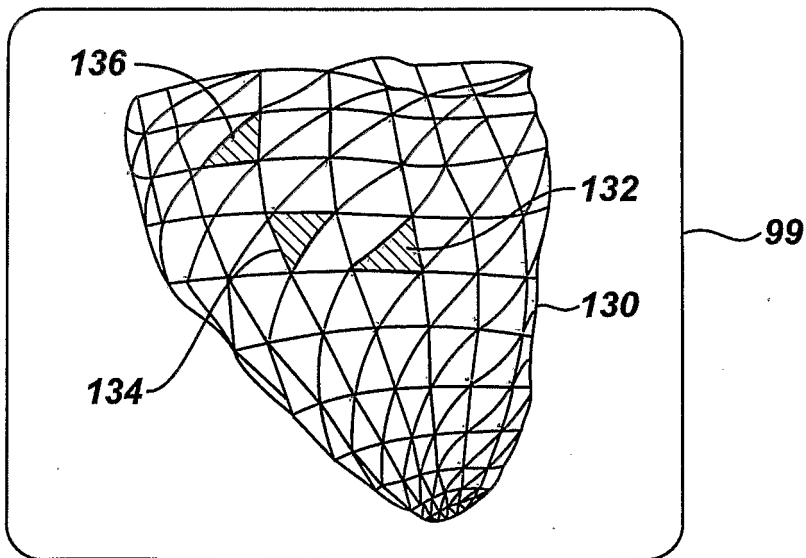


FIG. 16

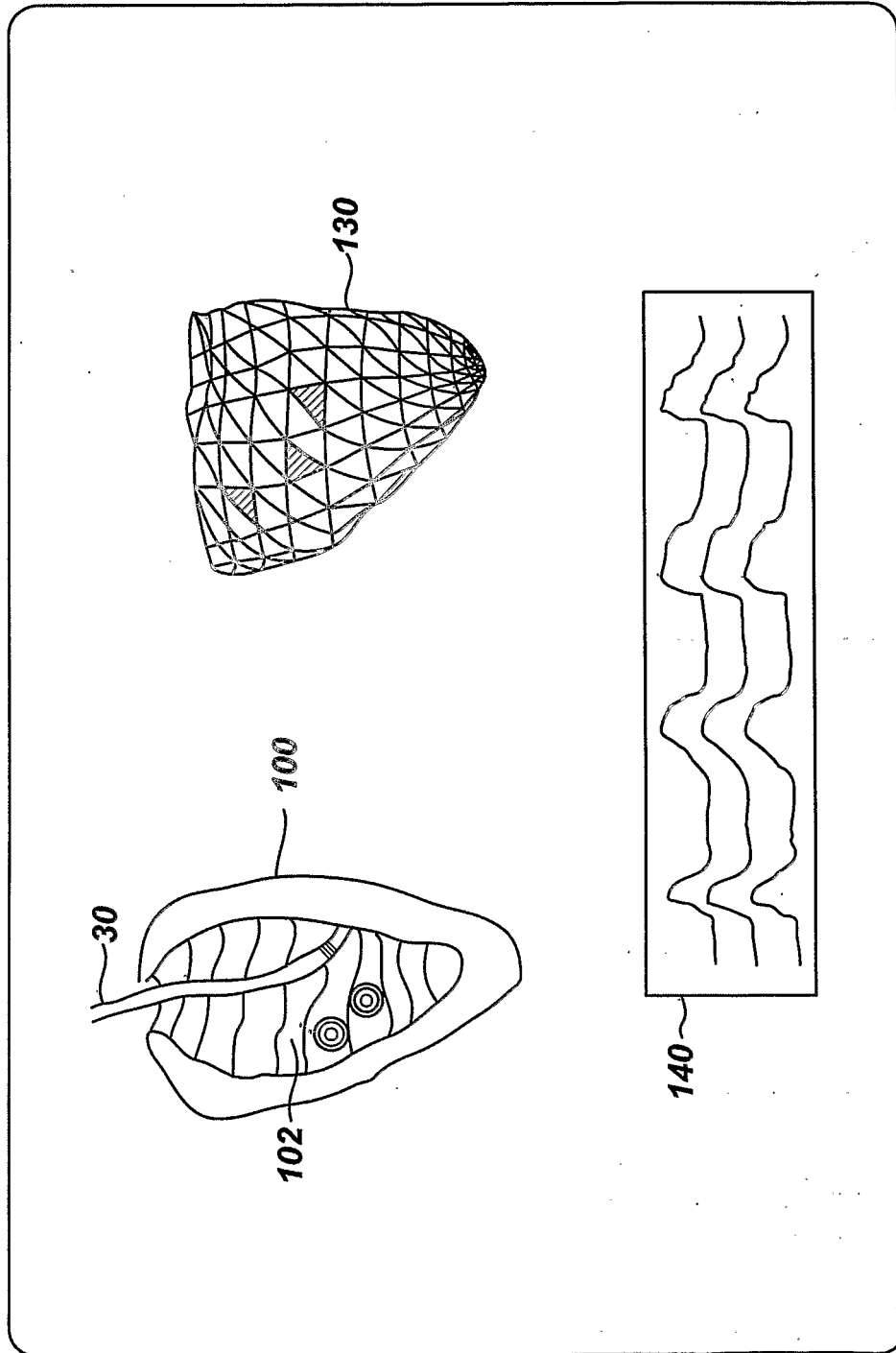


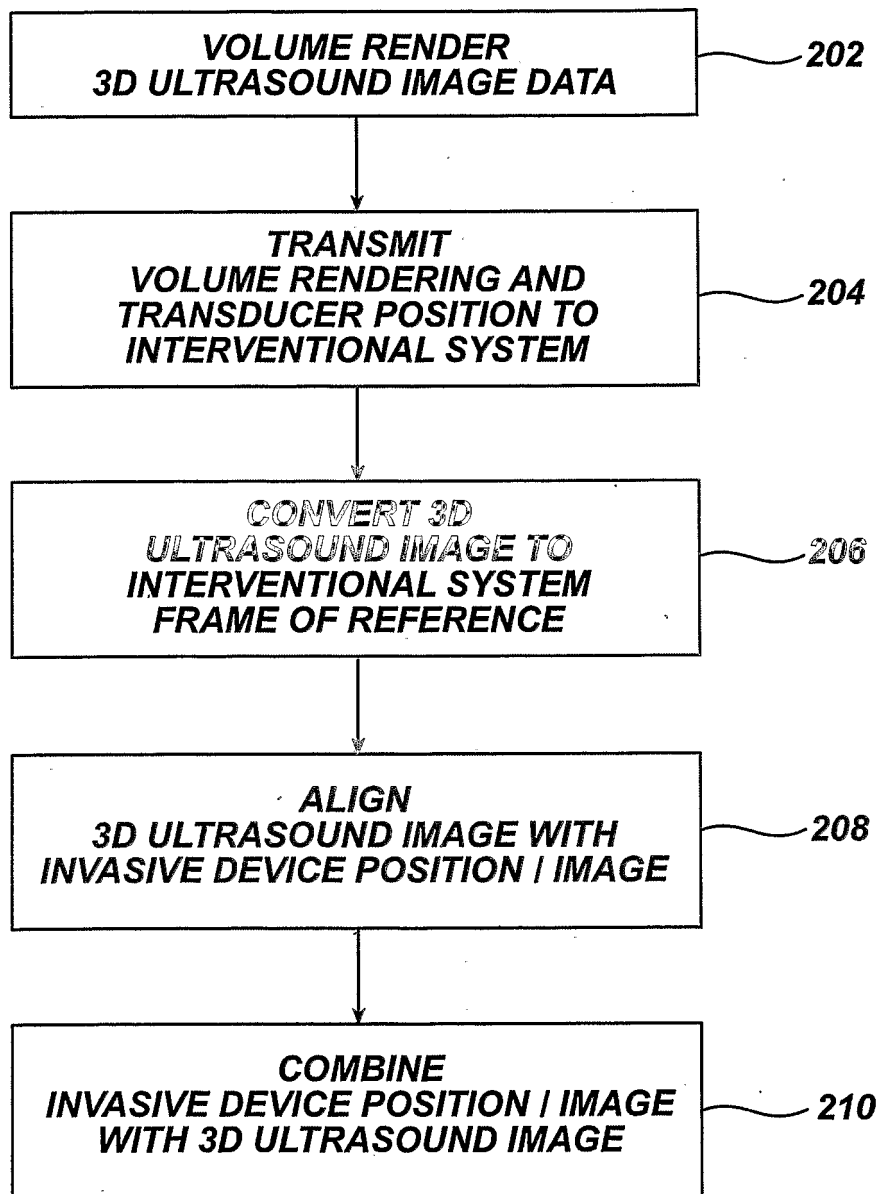
FIG. 17

FIG. 18

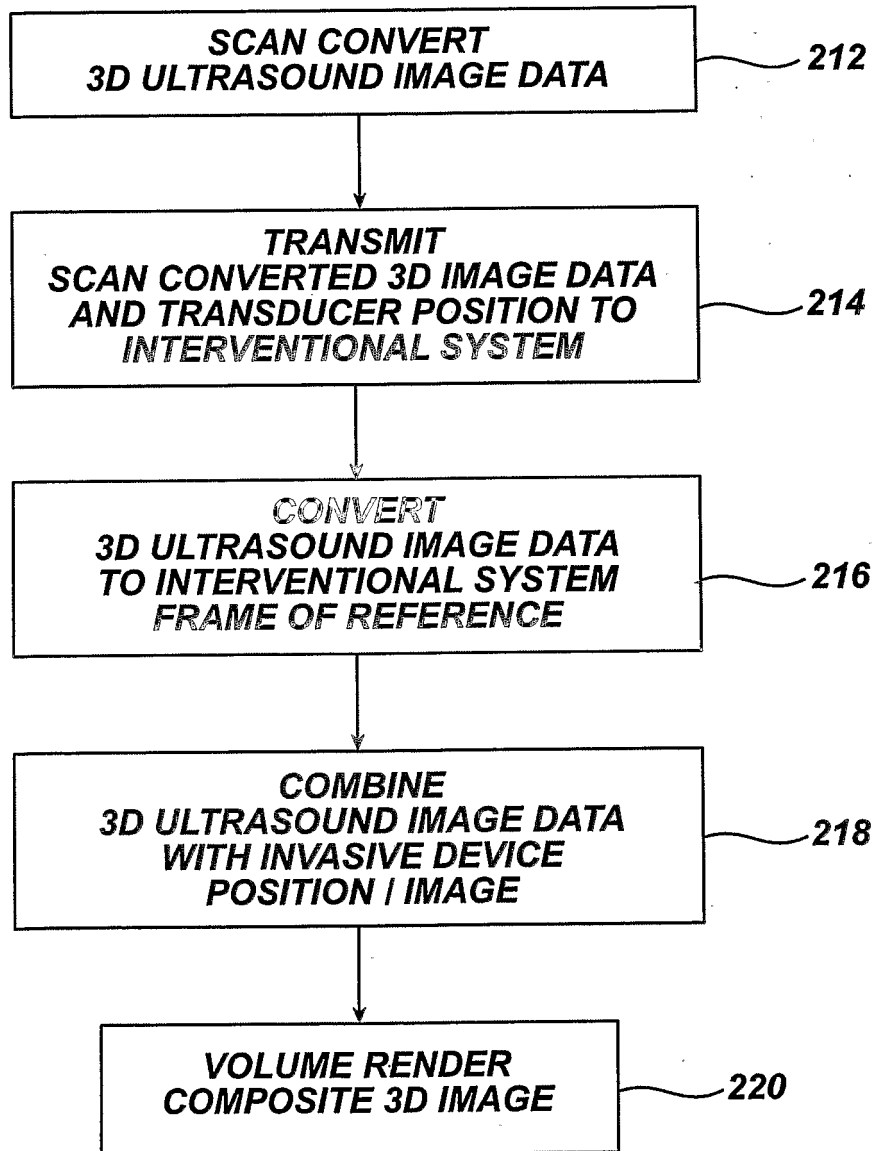


FIG. 19

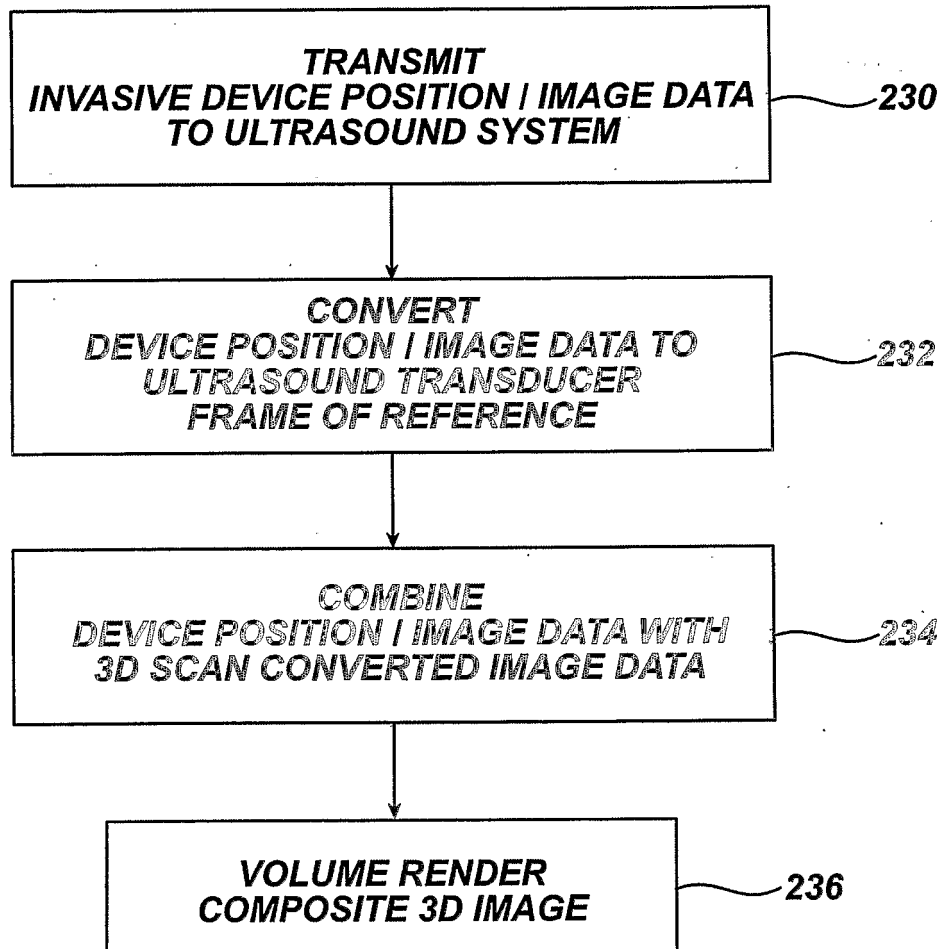


FIG. 20

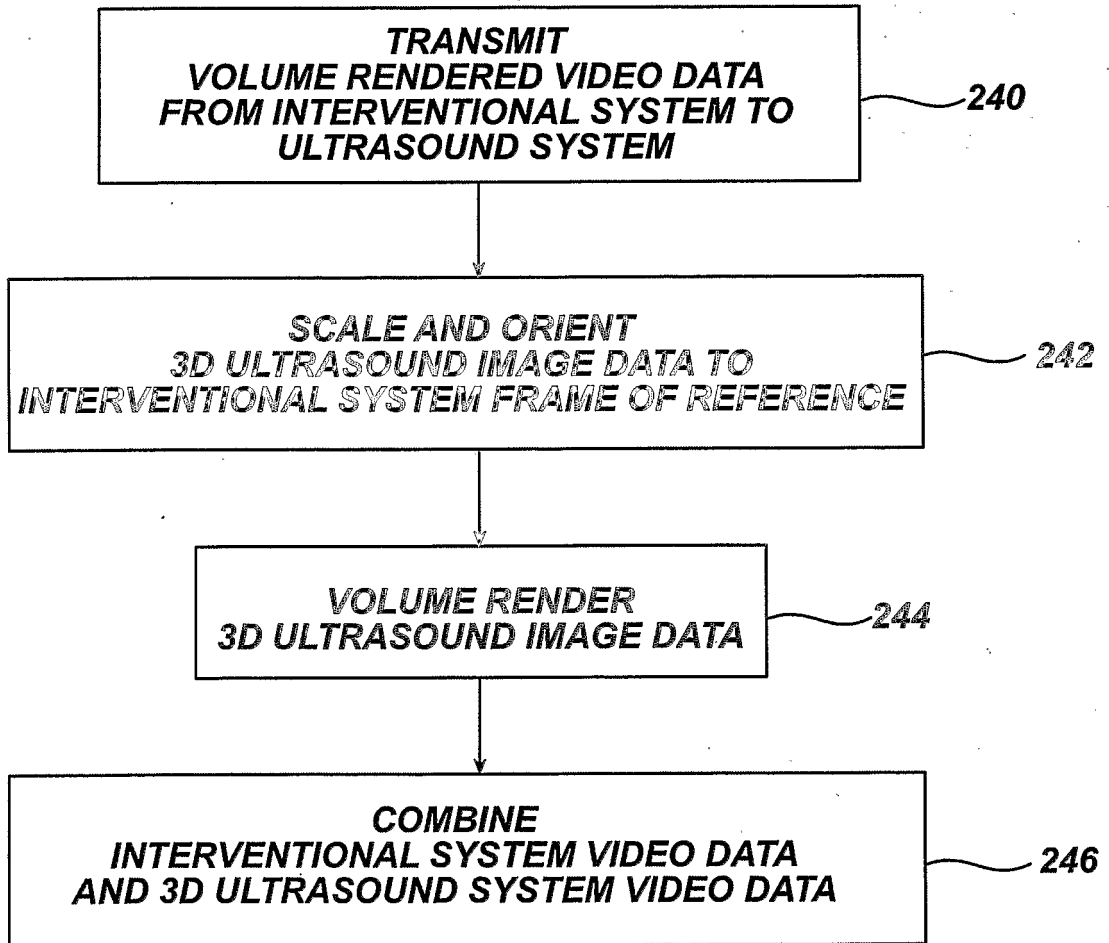
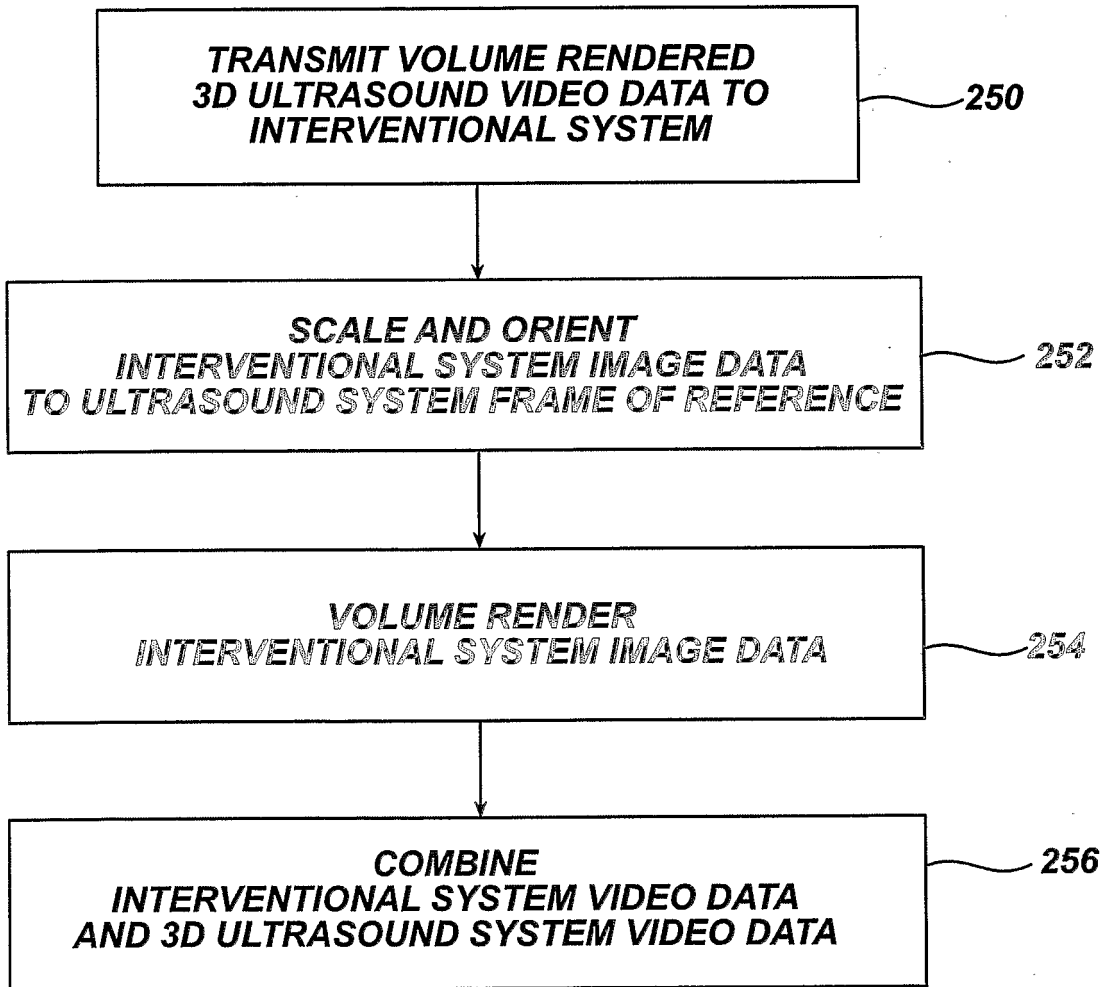


FIG. 21



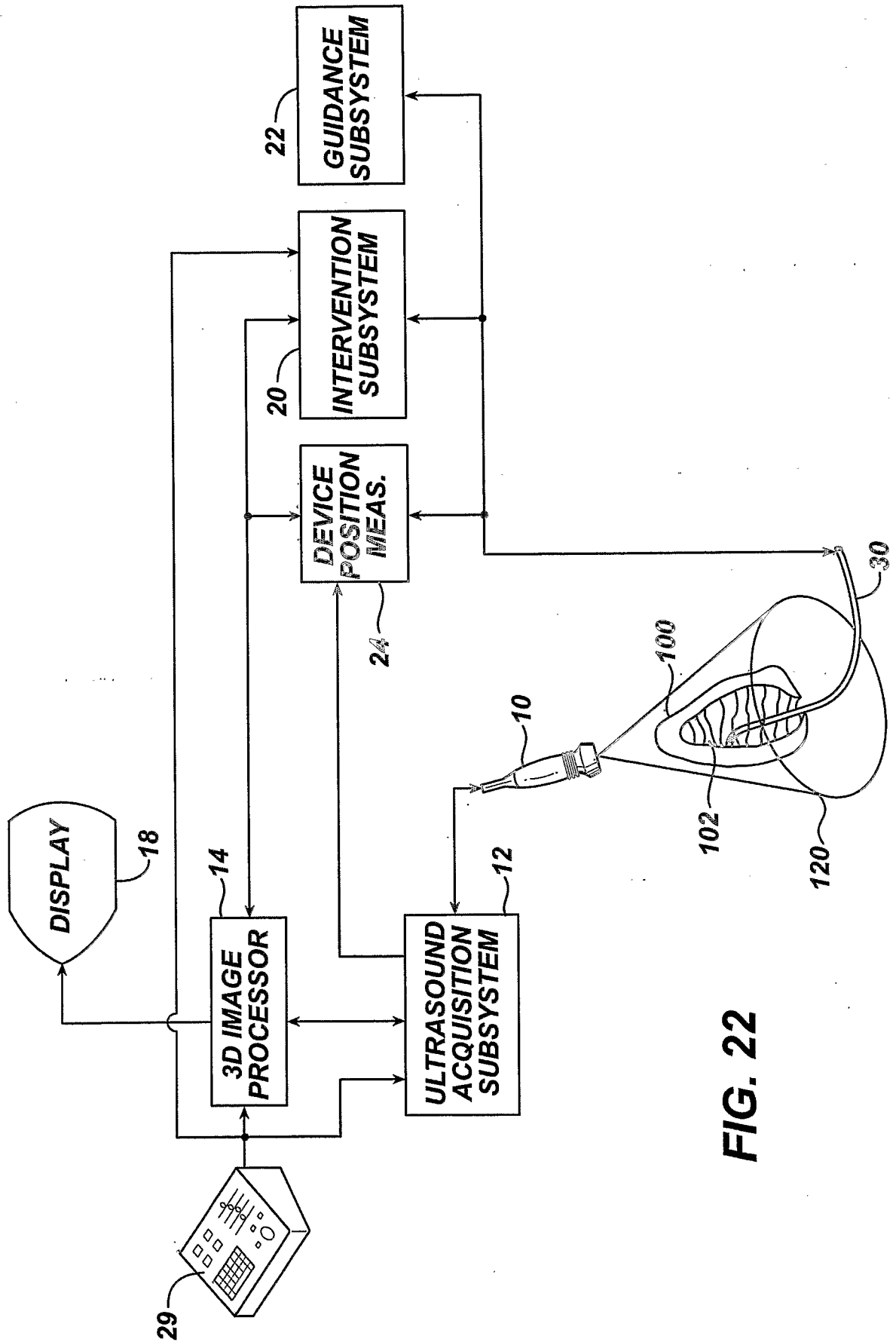


FIG. 22

PATENT COOPERATION TREATY

PCT

DECLARATION OF NON-ESTABLISHMENT OF INTERNATIONAL SEARCH REPORT

(PCT Article 17(2)(a), Rules 13ter.1(c) and Rule 39)

Applicant's or agent's file reference PHUS030076WO	IMPORTANT DECLARATION	Date of filing (day/month/year) 03/06/2004
International application No. PCT/IB2004/000759	International filing date (day/month/year) 04/03/2004	(Earliest) Priority date (day/month/year) 27/03/2003
International Patent Classification (IPC) or both national classification and IPC G01S15/89, G01S7/52, A61B8/08		
Applicant KONINKLIJKE PHILIPS ELECTRONICS N.V.		

This International Searching Authority hereby declares, according to Article 17(2)(a), that **no international search report will be established** on the international application for the reasons indicated below


1. The subject matter of the international application relates to:
 - a. scientific theories.
 - b. mathematical theories
 - c. plant varieties.
 - d. animal varieties.
 - e. essentially biological processes for the production of plants and animals, other than microbiological processes and the products of such processes.
 - f. schemes, rules or methods of doing business.
 - g. schemes, rules or methods of performing purely mental acts.
 - h. schemes, rules or methods of playing games.
 - i. methods for treatment of the human body by surgery or therapy.
 - j. methods for treatment of the animal body by surgery or therapy.
 - k. diagnostic methods practised on the human or animal body.
 - l. mere presentations of information.
 - m. computer programs for which this International Searching Authority is not equipped to search prior art.
2. The failure of the following parts of the international application to comply with prescribed requirements prevents a meaningful search from being carried out:

<input type="checkbox"/> the description	<input checked="" type="checkbox"/> the claims	<input type="checkbox"/> the drawings
--	--	---------------------------------------
3. The failure of the nucleotide and/or amino acid sequence listing to comply with the standard provided for in Annex C of the Administrative Instructions prevents a meaningful search from being carried out:

<input type="checkbox"/> the written form has not been furnished or does not comply with the standard.
<input type="checkbox"/> the computer readable form has not been furnished or does not comply with the standard.
4. The failure of the tables related to the nucleotide and/or amino acid sequence listing to comply with the technical requirements provided for in Annex C-bis of the Administrative Instructions prevents a meaningful search from being carried out:

<input type="checkbox"/> the written form has not been furnished.
<input type="checkbox"/> the computer readable form has not been furnished or does not comply with the technical requirements.
5. Further comments: see further information sheet

Name and mailing address of the International Searching Authority European Patent Office, P.B. 5818 Patentlaan 2 NL-2280 HV Rijswijk Tel. (+31-70) 340-2040, Tx. 31 651 epo nl, Fax: (+31-70) 340-3016	Authorized officer Tanja Touysserkani
--	--

	Direction Principale Recher	Examineur (nom et code)	Date d'achèvement de la recherche	Numéro de dossier
	COMPTRE RENDU DE RECHERCHE	Reuss, T 2220-23738	27-05-2004	SAE514240

Titre GUIDANCE OF INVASIVE MEDICAL DEVICES WITH COMBINED THREE DIMENSIONAL ULTRASONIC IMAGING SYSTEM	Classement interne G01S15/89D9 G01S7/52S8B6 G01S7/52S8B3 A61B8/08H K61B17/34D2 K61B19/00N
Déposant KONINKLIJKE PHILIPS ELECTRONICS N.V. Dépôt PCT/ IB 2004000759 04-03-2004 Prior.: US 45878203 27-03-2003 Corresp.: Pays: EP,JP,US	

Doss. apparenté(s)	Doubl.:
-	- <input type="checkbox"/>

Freetext / Remarks / Comments

Nr	SERR	Documentation et personnes consultées
1	NG	G01S15/89D9
2	NG	G01S7/52S8B6
3	NG	G01S7/52S8B3
4	NG	A61B8/08H
5	NG	K61B17/34D2
6	NG	K61B19/00N
7	NP	CHEN
8	NP	NIEMEIJER
9	NP	O'DONNOBHAIN

copies:

page(s) -

revend -

figure(s) -

abrégé

01P04CR1

The subject matter of all claims 1-12 relates to methods of treatment of the human body by surgery:

All claims are directed to a "method of producing a three dimensional ultrasonic image containing spatial information of the placement or operation of an invasive medical device comprising: (...) acquiring a three dimensional ultrasonic image data set from a volumetric region containing an invasive medical device..." (it is noted that claim 11 claims implicitly the acquisition, since "volume rendered three dimensional ultrasound video data of a volumetric region containing an invasive medical device" is transmitted to the interventional system).

The placement or operation of an invasive medical device is a treatment of the human body by surgery. Therefore, a method of ultrasonic imaging during the placement or operation of an invasive medical device represents subject matter which is covered by the provisions of Rule 39(1)(iv) PCT. Consequently, no international search report will be established (Article 17(2)(a)(i) PCT).

The applicant's attention is drawn to the fact that claims relating to inventions in respect of which no international search report has been established need not be the subject of an international preliminary examination (Rule 66.1(e) PCT). The applicant is advised that the EPO policy when acting as an International Preliminary Examining Authority is normally not to carry out a preliminary examination on matter which has not been searched. This is the case irrespective of whether or not the claims are amended following receipt of the search report or during any Chapter II procedure. If the application proceeds into the regional phase before the EPO, the applicant is reminded that a search may be carried out during examination before the EPO (see EPO Guideline C-VI, 8.5), should the problems which led to the Article 17(2) declaration be overcome.

专利名称(译)	三维超声成像系统对侵入性医疗器械的指导		
公开(公告)号	EP1618409A1	公开(公告)日	2006-01-25
申请号	EP2004717194	申请日	2004-03-04
[标]申请(专利权)人(译)	皇家飞利浦电子股份有限公司		
申请(专利权)人(译)	皇家飞利浦电子N.V.		
当前申请(专利权)人(译)	皇家飞利浦电子N.V.		
[标]发明人	SAVORD BERNARD SCAMPINI STEVEN PESZYNSKI MICHAEL SALGO IVAN		
发明人	SAVORD, BERNARD SCAMPINI, STEVEN PESZYNSKI, MICHAEL SALGO, IVAN		
IPC分类号	G01S15/89 G01S7/52 A61B8/08		
CPC分类号	G01S7/52074 A61B8/0833 A61B8/4254 A61B8/483 G01S7/52068 G01S15/8993		
优先权	60/458782 2003-03-27 US		
外部链接	Espacenet		

摘要(译)

提供了包含侵入性医疗设备 (30) 的位置或图像信息的复合三维超声图像。三维超声图像数据可以在体绘制之前或之后与侵入式医疗设备 (30) 的位置或图像信息组合。将三维超声图像数据和介入系统数据定向并密封到共同的参考系, 然后组合。体积渲染可以在超声系统 (12) 上, 在介入系统 (20) 上执行, 或者在组合之前在两者上单独执行。