



- (51) International Patent Classification:
A61B 5/08 (2006.01)
- (21) International Application Number:
PCT/US2014/029411
- (22) International Filing Date:
14 March 2014 (14.03.2014)
- (25) Filing Language: English
- (26) Publication Language: English
- (30) Priority Data:
61/799,372 15 March 2013 (15.03.2013) US
- (71) Applicant: SOBERLINK, INC. [US/US]; 10073 Valley View Street, #146, Cypress, CA 90630 (US).

- (72) Inventors: KEAYS, Brad; 2711 N. Sepulveda Boulevard, Manhattan Beach, California 90266 (US). ROTHMAN, Andrew; 2057 Phalarope Court, Costa Mesa, California 92626 (US). HANRAHAN, Casey; 100 Buena Vista Drive, Fullerton, California 92833 (US). PURSLEY, Christopher J.; 424 Jacaranda Place, Fullerton, California 92832 (US). RHODES, Daniel; 3567 Accomac Avenue, San Diego, California 92111 (US).
- (74) Agent: KAINOA ASUEGA; One LLP, 4000 MacArthur Blvd., East Tower, Suite 500, Newport Beach, California 92660 (US).
- (81) Designated States (unless otherwise indicated, for every kind of national protection available): AE, AG, AL, AM, AO, AT, AU, AZ, BA, BB, BG, BH, BN, BR, BW, BY, BZ, CA, CH, CL, CN, CO, CR, CU, CZ, DE, DK, DM,

[Continued on next page]

(54) Title: SOBRIETY MONITORING SYSTEM

(57) Abstract: A system and method of monitoring sobriety using a hand-held breath testing device that, on receipt of a user's breath, generates a breath test signal comprising substance content data and user identification data, and wirelessly transmits the breath test signal to a breath test signal receiving station. This disclosure relates generally to a method and system for remote sobriety monitoring, and more particularly relates to a method and system utilizing a breath testing and identification device for periodically analyzing the alcohol content or other substance content of the breath of a user in combination with a wireless or cellular transmitter or transceiver device to transmit an alcohol content.



WO 2014/144834 A1

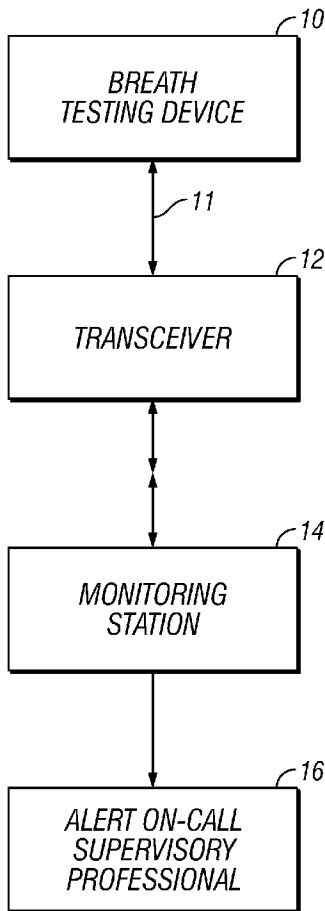


FIG. 1

DO, DZ, EC, EE, EG, ES, FI, GB, GD, GE, GH, GM, GT, HN, HR, HU, ID, IL, IN, IR, IS, JP, KE, KG, KN, KP, KR, KZ, LA, LC, LK, LR, LS, LT, LU, LY, MA, MD, ME, MG, MK, MN, MW, MX, MY, MZ, NA, NG, NI, NO, NZ, OM, PA, PE, PG, PH, PL, PT, QA, RO, RS, RU, RW, SA, SC, SD, SE, SG, SK, SL, SM, ST, SV, SY, TH, TJ, TM, TN, TR, TT, TZ, UA, UG, US, UZ, VC, VN, ZA, ZM, ZW.

(84) Designated States (unless otherwise indicated, for every kind of regional protection available): ARIPO (BW, GH, GM, KE, LR, LS, MW, MZ, NA, RW, SD, SL, SZ, TZ, UG, ZM, ZW), Eurasian (AM, AZ, BY, KG, KZ, RU, TJ,

TM), European (AL, AT, BE, BG, CH, CY, CZ, DE, DK, EE, ES, FI, FR, GB, GR, HR, HU, IE, IS, IT, LT, LU, LV, MC, MK, MT, NL, NO, PL, PT, RO, RS, SE, SI, SK, SM, TR), OAPI (BF, BJ, CF, CG, CI, CM, GA, GN, GQ, GW, KM, ML, MR, NE, SN, TD, TG).

Published:

- with international search report (Art. 21(3))
- before the expiration of the time limit for amending the claims and to be republished in the event of receipt of amendments (Rule 48.2(h))

SOBRIETY MONITORING SYSTEM

BACKGROUND OF THE INVENTION

5 Field of the Present Disclosure

[0001] This disclosure relates generally to a method and system for remote sobriety monitoring, and more particularly relates to a method and system utilizing a breath testing and identification device for periodically analyzing the alcohol content or other substance
10 content of the breath of a user in combination with a wireless or cellular transmitter or transceiver device to transmit an alcohol content or other substance content signal to a wireless or cellular signal receiver and/or monitoring station to help ensure abstinence of the user from the use of alcohol or another substance.

15 [0002] Recovering alcoholics or other substance abusers may benefit from the supervision of a sober chaperone such as a sober buddy, sober companion or sober coach to assist a recovering alcoholic in maintaining abstinence from alcohol outside of a treatment facility. Such a sober companion commonly chaperones the recovering alcoholic or substance abuser on a constant basis, or maybe available on an on-call basis to accompany a recovering
20 alcoholic or substance abuser periodically or as needed during certain activities. Such supervisory care can be quite expensive, which may have the unfortunate consequence of reducing or eliminating the services of such supervisory care.

[0003] People struggling with alcohol often conceal their abuse, making it difficult for
25 concerned family members to confirm their suspicions and intervene. Because alcohol leaves the system quickly, it is important to test for alcohol consumption by using a breathalyzer or another similar alcohol testing method. Confirmation of a drinking problem becomes increasingly difficult during periods when testing for alcohol consumption is not easily enforced, such as during travel for business or college, for example. It would be
30 useful to provide a method for parents to be able to monitor alcohol use anywhere by their

children, and for spouses to monitor alcohol use anywhere by their spouses, in order to eliminate suspicions and confirm whether the family member has a drinking problem. It would also be useful to provide a method for companies to deter alcohol abuse by employees during work hours. Industries that rely heavily on driving and have limited
5 employee supervision could also benefit from a method allowing the monitoring of alcohol use by employees as a way to confirm employee sobriety during work hours. Although drug testing is common in the workplace, since alcohol is metabolized relatively quickly, and is not easily tested, it would also be useful to provide a method for immediate confirmation of an employee's alcohol level at any given time.

10

[0004] Additionally, alcohol and drug abuse sometimes occur together, and the struggles facing recovering alcoholics often mirror those facing recovering drug addicts. Those struggling with narcotics also often conceal it from friends and family, often prolonging intervention until it is too late. Drug abuse is especially prevalent with teenagers. Because
15 of the potentially dangerous side effects of narcotic use, it is important to test for use of narcotics or other controlled substances in a manner that is quick and reliable. It is furthermore important that timely responsive action be taken to prevent injury, disease or death. Furthermore, although drug testing is common in the workplace, current testing methods do not provide immediate confirmation of an employee's sobriety. It would
20 therefore be useful to provide a method for quick and accurate on-demand drug testing and monitoring that can be accomplished with relative ease and convenience.

25

[0005] Court ordered sobriety is also commonly required as a condition of probation or other court imposed rehabilitative or behavior altering programs. Reporting to a stationary
25 facility, one's probation officer, or even one's home in order to be tested for substance use is often an embarrassing and time consuming ordeal that does not facilitate healthy reintegration into society. Thus, the discrete remote monitoring of a person under such a program by the court, or other authority, without requiring the monitored person to excuse themselves from society for more than a brief period of time would be useful in
30 reintegrating the monitored person into society without the awkward and embarrassing

effects of traditional monitoring procedures. Such a system is also useful to provide a system of monitoring where those monitored are emboldened to no longer feel like societal outcasts and are thus increasingly motivated to maintain their sobriety.

5 [0006] Currently available remote sobriety monitors involve an intrusive and awkward looking bracelet that requires constant contact with a user's skin. For example U.S. Pat. No. 7,641,611, to Hawthore, et. al., describes an example of one such a remote sobriety monitor requiring the use of skin contacting bracelet. While such monitors enable remote monitoring of blood alcohol levels, users are often stigmatized by their indiscrete presence and therefore
10 find healthy societal interaction while wearing such bracelets difficult.

[0007] Non-skin-contact sobriety monitors are available, but they are generally bulky, expensive, inconvenient systems that require a user to periodically return to the sobriety monitor site. For example, the ElmoTech MEMS 3000 system provides a breathalyzer-type
15 sobriety monitor with user image confirmation and remote transmission capabilities. However, the ElmoTech MEMS 3000 sobriety monitor is incapable of being easily transported with the user. Since the user must periodically return to the sobriety monitor site, the user's mobility is extremely limited.

20 [0008] Hand-held breathalyzer-type sobriety monitors such as the monitors in US Pat. No. 6,726,636, to Der Ghazarian et al., are preferable, however because of physical size limitations such hand-held systems do not contain the ability to capture and quickly transmit the user's image for positive identification. Furthermore such hand-held monitors do not transmit complex blood alcohol levels, and instead transmit only simple "pass" or "fail"
25 signals. Thus, recipients of the signals are generally unaware of the user's actual test results. Also, these systems generally are not enabled to provide a vehicle interlock function whereby the breathalyzer is enabled to selectively prohibit vehicle ignition.

[0009] There are existing vehicle interlock devices, whereby a breathalyzer is required to
30 enable a vehicle to function; however, such interlock devices are not portable, and further,

existing interlock devices can be easily hacked and/or tampered with. For example, a drunk driver can simply have a sober person blow into the breathalyzer to enable vehicle ignition.

[0010] It would therefore be desirable to provide a method and system of providing
5 supervisory monitoring of sobriety that is discrete, portable, tamper-proof, and effective, and that can automatically alert a monitoring station of the need for attention and possible corrective or medical action by such a supervisory sober buddy or sober companion on an on-call basis. The present invention meets these and other needs.

10 BRIEF SUMMARY OF THE INVENTION

[0011] Briefly, and in general terms, the present invention provides for a method and system for monitoring sobriety of a user on an automated basis, utilizing a hand-held breath testing device, a wireless or cellular transmitter or transceiver device for wirelessly transmitting
15 results of the breath testing to a wireless or cellular receiver monitoring station. The monitoring station receives the breath testing results (and optionally identification such as a photograph) from the wireless or cellular transmitter or transceiver device, and indicates an alarm or otherwise alerts an on-call monitor when the wireless or cellular transmitter or transceiver is indicated to be off, or when the breath testing results indicate a breath test
20 content greater than a predetermined threshold, or when the received breath is not the breath of the user (which can be determined from the photograph). The method and system can be used in connection with a traditional sober buddy, chaperone service on an on-call basis only, to limit the expense and labor intensiveness of the supervisory care. Such a systems may also be used to monitor abstinence from other drugs which can be taken orally and
25 tested by breath analyzer or the like without the use of a chaperone on a continuing basis.

[0012] By using the method and system of the present invention, a family member trying to build back trust in family relationships can prove that they are making behavior changes by sending breath test reports on a predetermined schedule, or when randomly requested by the
30 family. The present invention helps a person prove that they are making healthier choices in

life and making steps toward rebuilding trust in family relationships. Families can benefit from knowing that loved ones are sober enough to drive, and the present invention can be used remotely to determine a person's sobriety or that blood alcohol levels are in an acceptable range.

5

[0013] The present invention also provides a method for immediate confirmation of an employee's alcohol level at any given time. Particularly those companies with employees who drive as a part of their employment would benefit by keeping their employees sober during working hours. The present invention also can be used in rehabilitative aftercare, and
10 can be used to monitor multiple patients, and the present invention can be used by a sober companion during times when they were not able to accompany them.

[0014] The present invention is also useful for remotely monitoring sobriety in situations in which sobriety has been required as a condition of probation or by courts. In addition,
15 counties and states who sentence an individual to home detention always require sobriety. By incorporating a GPS tracking module or using the mobile device GPS in the breath testing and identification device, the sobriety and location of individuals placed under home detention can be monitored together, which could eliminate the need for the use of ankle bracelets that are currently in use for home detention.

20

[0015] For families who want to monitor their children or spouses, the sobriety monitoring system of the present invention can send a breath test report and photograph to a monitoring station where the report and photograph can be stored, or can send a breath test report and photograph directly from one mobile device to another, without storage of the report and
25 photograph. A cellular module can alternatively be provided inside the breath testing and identification device that can send a breath test report and photograph directly through WiFi, cell towers, or through other mobile wireless networks such as those that do not rely on fixed infrastructure, for example.

[0016] These and other aspects and advantages of the invention will be apparent from the following detailed description and the accompanying drawing, which illustrates by way of example the features of the invention.

5 BRIEF DESCRIPTION OF THE SEVERAL VIEWS OF THE DRAWING(S)

[0017] Illustrated in the accompanying drawing(s) is at least one of the best mode embodiments of the present invention. In such drawing(s):

10 [0018] Figure 1 is a schematic diagram illustrating the method and system for monitoring sobriety, according to the invention;

[0019] Figure 2 is a schematic diagram illustrating a breath testing and identification device for use in the method and system of Fig. 1 according to a preferred embodiment of the
15 invention;

[0020] Figure 3 is a right front perspective illustrating another preferred breath testing and identification device for use in the method and system of Fig. 1 according to a preferred embodiment of the invention;

20 [0021] Figure 4 is a left front perspective of the breath testing and identification device of Fig. 3.

[0022] Figure 5 is a schematic diagram illustrating another embodiment of the method and system for monitoring sobriety according to a preferred embodiment of the invention.
25

[0023] Figure 6 is an exploded view of the breath testing and identification device according to a preferred embodiment of the invention.

[0024] Figure 7 is an exploded view of the breath testing and identification device according to a preferred embodiment of the invention.

[0025] Figure 8 is a schematic diagram illustrating another the method and system for monitoring sobriety according to a preferred embodiment of the invention.

[0026] Figure 9 is a schematic diagram illustrating a vehicle interlock device according to a preferred embodiment of the invention.

[0027] Figure 10 is a schematic diagram illustrating another the method and system for monitoring sobriety according to a preferred embodiment of the invention.

[0028] Figure 11 is a schematic diagram illustrating another the method and system for monitoring sobriety according to a preferred embodiment of the invention.

[0029] Figure 12 is a schematic diagram illustrating an exemplary sensor according to a preferred embodiment of the invention.

[0030] Figure 13 is a flow chart illustrating another the method and system for monitoring sobriety according to a preferred embodiment of the invention.

[0031] Figure 14 is a front perspective view of a breath testing and identification device according to a preferred embodiment of the invention.

[0032] Figure 15 is a front elevational view illustrating an exemplary web portal according to a preferred embodiment of the invention.

[0033] Figure 16 is a chart illustrating exemplary results of pressure and temperature sensing analysis according to a preferred embodiment of the invention.

[0034] Figure 17A-C illustrates exemplary messages displayed on the breath testing device according to a preferred embodiment of the invention.

[0035] Figure 18A-B illustrates exemplary messages displayed to the supervisory according to a preferred embodiment of the invention.

[0036] Figure 18C illustrates an exemplary web portal according to a preferred embodiment of the invention.

10

DETAILED DESCRIPTION OF THE INVENTION

[0037] The above described drawing figures illustrate the described apparatus and its method of use in at least one of its preferred, best mode embodiment, which is further defined in detail in the following description. Those having ordinary skill in the art may be able to make alterations and modifications to what is described herein without departing from its spirit and scope. Therefore, it should be understood that what is illustrated is set forth only for the purposes of example and should not be taken as a limitation on the scope of the present apparatus and its method of use.

[0038] Described now in detail is a method and system for monitoring sobriety of a user, such as a recovering alcoholic, as an intermediate, automated way of engaging the services of a sober buddy, sober companion, sober coach, or other supervisory care for the user to help ensure against relapse of the user, and to help the user maintain sufficient abstinence from alcohol or another substance to reside and function outside of a treatment facility.

25

[0039] Referring to Figure 1, a substance testing device 10; a transceiver unit 12; a receiving station 14; and a supervisory monitor 16 may be provided.

[0040] Preferably, the substance testing device 10 is a hand held substance testing device operable to test for the presence of alcohol or other substance in the breath of the user. The

30

testing device may also operate to test the quantity of alcohol or other substance in the breath of the user. Additionally, the substance testing device 10 is preferably operable to generate a substance content signal 11 comprising at least substance content data. For example, the testing device may comprise a breathalyzer type testing device operable to
5 analyze the alcohol content of the breath of a user and generate an alcohol content signal indicative of the alcohol content of the user's breath.

[0041] In some embodiments, the substance testing device may also comprise a user identification device (UID) 24, described in detail below, operable to generate a user
10 identification data. For example, the UID may comprise a camera operable to generate a JPEG image of the user while the test is in progress. Thus, the substance content signal 11 may also comprise a user identification data.

[0042] Additionally, in some embodiments, the substance testing device may also comprise
15 a GPS module, described in detail below, operable to generate a location data. Thus, the substance content signal 11 may also comprise a location data.

[0043] As described in depth below, the transceiver unit 12 may be a wireless or cellular transmitter or transceiver device. It may be a smart cellular phone such as an iPhone that
20 may be configured to be connected to the breath testing device either directly, such as by electrical connection, or wirelessly, so as to receive the content signal 11. Additionally, the transceiver unit 12 may be configured to transmit the content signal 11 to the receiving station 14. Transmission may occur over a wireless, wired, cellular, or any other type of network now known or hereafter developed. In at least one embodiment, the transceiver
25 unit 12 is internal to the substance testing device 10 and is a hardware component thereof.

[0044] The receiving station 14 may be configured to receive the content signal 11. The receiving station 14 may be configured to inform the supervisory monitor 16 if the content
30 signal 11 is not received from the transceiver at a predetermined time, or if the content signal 11 indicates that the substance content levels exceed a predetermined threshold. For

example, the typical legal limit of blood alcohol content (BAC) is 0.08%. Thus, receiving station may inform the supervisory monitor 16 if the content signal indicates the user's BAC is greater than 0.08%. Importantly, the predetermined threshold may be set at a higher or lower level as may be desired. Additionally, the receiving station 14 may be configured to convey the content signal 11, or a report based thereon, directly to the supervisory monitor 16 so that the supervisory monitor 16 is made aware of the substance content data. Thus, for example, the receiving station may inform the supervisory monitor 16 (who may be a parent or guardian) that the user (who may be a teenage child of the parent or guardian) has a BAC of 0.03%.

10

[0045] In some embodiments, the receiving station 14 may comprise any location, device or system where the content signal 11 is received, including, for example: a monitoring station, a cellular/smart phone, an email account, a website, a network database, and a memory device. Additionally, the supervisory monitor 16 may comprise a parent, guardian, family member, friend, parole officer, court appointed supervisor, sobriety coach, sober buddy, sober companion, police department, or other supervisory care person, group, or authority.

15

[0046] In some embodiments, the substance testing device 10 is a breathalyzer type device, such as the iBreath Breathalyzer, usable in combination with an iPod or iPhone, for example, which may act as a power source for the iBreath.

20

[0047] According to at least one embodiment, there may be provided a user identification module 82 and a substance testing module 84, as shown in Figure 8.

[0048] During testing, the substance testing module 84 may convert a user's breath into substance content data. The substance content data may be communicated to a signal generation module 86 which may be operable to convert the substance content data into the content signal 11. The content signal 11 may include, for example, the user's blood alcohol level, or indication that the user's blood alcohol level is below or above a predetermined threshold.

30

[0049] In some embodiments, the content signal 11 may include, for example, an indication that the user's breath contains detectable traces of controlled substances or narcotics or their derivatives, such as, for example: methamphetamines, amphetamines, barbituates, 5 tetrahydrocannabinol (THC) or other cannibanooids, benzoylmethylecgonine, diacetylmorphine or other opiates/opioids, lysergic acid diethylamide, psilocin, phencyclidine and the like. Thus, for example, the receiving station 14 may inform the supervisory monitor 16 if the content signal 11 indicates the user's THC level is greater than 5 ng/ml, the minimum detectible level established by some states. Again, the predetermined 10 threshold may be set at a higher or lower level as may be desired. And, for example, the receiving station 14 may inform the supervisory monitor 16 that the user has a THC level that exceeds the minimum.

[0050] The user identification module 82 may be configured to generate a user identification 15 data. For example, the user identification module 82 may be configured to receive a photograph or movie of the user's face from the UID 24 and to convert it into a JPEG image data. Thus, in some embodiments, the user identification module 82 may comprise a compression module (not shown) configured to compresses the user identification data according to a compression process, for example, an implementation variation of standard 20 JPEG compression. In some embodiments, the user identification module 82 and the UID 24 may comprise a single structure. In other embodiments, they may comprise distinct structures.

[0051] After the user identification data is generated, it may be communicated to the signal 25 generation module 86 which may be operable to add the user identification data to the content signal 11.

[0052] A transceiver 88 may be in communication with the signal generation module 86. The transceiver 88 may be a cell/smart phone, such as iPhone, for example, and can be 30 configured to be connected to the signal generation module 86 either directly, such as by an

internal or external electrical connection, or wirelessly, to receive the content signal 11. The transceiver 88 may be configured to transmit the content signal 11 to the receiving station 56, which may comprise a website or monitoring station. The wireless or cellular transmitter or transceiver device 88 may also be configured to transmit the signal over a wireless or cellular network to a wireless or cellular receiving station 14, for example, the cellular phone of a supervisory monitor 16. This transmission may be done periodically, or at specified times.

[0053] In at least one embodiment, the content signal comprises at least the substance content data and the user identification data. Alternatively, the user identification data may be transmitted to the receiving station 56 separately from the content signal 11. In at least one embodiment, the content signal 11 comprises a digitized report which may accessible by a supervisory monitor 16.

[0054] Ideally the entire test and photography process should take less than 60 seconds, for example, compression of the image data allows a user to offer their breath for testing and have the content signal be received by the receiving station within 60 seconds.

[0055] The receiving station 14, for example, a monitoring station, website or server, can preferably automatically evaluate the content signal 11 and maintain a history of the test time, result and the user identification data for each test. The receiving station 14 can also include a database and software for analysis of user identification data, for example, user facial features, for determining whether the user can be identified from each still frame photograph or movie, to confirm or reject the test results, and to determine whether corrective action is required. As explained below, positive identification of the user in association with the content signal 11 may be accomplished by one or more recognition techniques including: facial recognition, voice recognition, DNA recognition, iris recognition, fingerprint recognition, or other recognition techniques now known or developed hereafter.

30

[0056] For example, the receiving station 14 can analyze specific iris or retinal features from one or more eyes of the user for matching with a profile of the user's iris or retinal features, or the receiving station 14 can analyze specific mouth and/or teeth features of the user for matching with a user profile of those features. Additionally, a supervisor may
5 compare the received user identification data with a stored user identification reference in order to positively identify the user.

[0057] Facial, iris or retinal identification analysis requires proper alignment and focusing of the camera 24. A device leveling module (not shown) may be provided so as to maintain
10 proper alignment and focus. The device leveling module may operate to detect whether the testing unit remains in an optimal orientation during the testing phase. For example, best image quality generally occurs when the camera remains horizontal and un-rotated during a photo. The device leveling module may indicate to the user, through a GUI, LED, audio or other such user interface, that the device is at a proper orientation for user identification.

15

[0058] Mouth and/or teeth identification analysis may require an appropriate device for proper placement of the substance testing device 20. Multiple internal tooth sensors of a tooth-guard or mouthpiece (not shown) can be activated by low level electrical signals which can be measured and transmitted by the UID 24, for use in matching a loading profile
20 of the internal tooth sensors with a user's tooth sensor profile.

[0059] It will be appreciated that user identification may occur independent of the receiving station 14. For example, the user identification module 82 may comprise a memory that may store a reference user identification data for comparison with the generated user
25 identification data. Upon successful comparison, i.e. the actual user is the intended user, the user identification module 82 may communicate a pass signal which may be added to the content signal 11.

[0060] In at least one embodiment, the receiving station is a monitoring station, for
30 example, a monitoring service or a website, that can either manually or automatically alert a

supervisory care professional, such as a sober buddy, sober companion or sober coach, that is on-call to respond to an alarm condition or alert, as described herein, in order to take appropriate corrective action. The monitoring station can also preferably provide a variety of reports of the user's testing history or individual test results and still frame photographs or movies used in identification of the user, to allow comprehensive and detailed analysis of the user's testing history, which can be accessed via the Internet as desired. The generated reports may be official Department of Transportation Evidential Breath Testing (EBT) reports, or may be of any other custom or preset format.

10 [0061] It will be appreciated, that while at least one embodiment is herein described through example as testing for alcohol use, such embodiments may be equally applicable to testing for the use of controlled substances or other narcotics, as described herein.

[0062] At least one preferred embodiment will now be described with reference to Figure 2.

15

[0063] A breath testing device 20 is provided, which may comprise: a breath tester 22, and a user identification device (UID) 24.

20 [0064] The breath tester 22 may comprise, for example, a breath tester tip 22 configured to be placed at or in a user's mouth during testing. The UID 24 may comprise, for example, a camera 24.

25 [0065] The breath tester tip may be removably mounted to an end of an extension arm 26, which is in turn connected to a breath analysis and processing portion 28 of the breath testing device 20. The breath analysis and processing portion preferably comprises a breath testing module 82, as shown in Figure 7, and may be operable to convert the substance content data into the substance content signal 11.

30 [0066] The extension arm 26 is preferably a suitable length, such as approximately size to twelve inches, for example, to obtain a still frame photograph or movie suitable for use in

accurately identifying the user. Alternatively, the extension arm 26 may be of an adjustable length to allow setting of an optimum length of the extension arm 26.

[0067] The breath testing device 20 may also include a handle (not shown) connected to at least one of the camera 24 and the extension arm 26, for ease of use of the device 20.

[0068] The physical dimensions of the breath testing device 20 are such that it is readily able to be carried by hand, or inserted into a handbag, purse, pocket or the like. Preferably, the device 20 is not more than 27 cubic inches in volume, and has, for example, a major axis length of approximately 9 inches, a first minor axis length of approximately 3 inches, and a second minor axis length of approximately 1 inch.

[0069] The camera 24 may be configured to be directed at the user's face at a suitable distance from the user's face during testing, and may be configured to take a photograph or movie of the user's face in synchronization with the testing, to provide user identification data for later use in positive identification of the user in association with the content signal 11.

[0070] The camera 24 may comprise a two-way camera – or alternatively two cameras – such that a photograph/video of the user and a photograph/video of an applier, such as a police officer testing a user for BAC, may be both associated with the breath test. In other words, the user identification data may also include identification data for the applier.

[0071] At least one preferred embodiment will now be described with reference to Figures 3 and 4.

[0072] As previously described, the breath testing device 30 may include a breathalyzer type device, such as the removable breath tester tip 32 configured to be placed at or in a user's mouth during breath testing, and a camera device 34. The removable breath tester tip 32 is preferably removably mounted to an end of an extension portion 36 which is in turn

connected to a breath analysis and processing portion 38 of the breath testing device 30. The camera device 34 may be configured to be directed at the user's face at a suitable distance from the user's face during breath testing, and may be configured to take a photograph or movie of the user's face in synchronization with the testing of the user's breath, to provide
5 identification information for later use in positive identification of the user with the test results.

[0073] The breath device 30 may include a status LED 40, such as for indicating when the device is ready for use and when the device has completed breath testing and identification,
10 for example.

[0074] The breath testing device 30 may also include an over mold grip portion 42, a battery door 44 for installing and maintaining or recharging batteries (not shown) for powering operation of the device, and optionally a cover 46 for breath sensor (not shown) for
15 powering operation of the device.

[0075] The breath testing device 30 may also include an internal GPS tracking module (not shown) or an internal mobile device GPS (not shown) to provide a GPS location and tracking information signal as well.
20

[0076] At least one preferred embodiment will now be described with reference to Figures 6 and 7.

[0077] The breath testing device 70 may comprise: a breath tube 72; a breath interface tube
25 76; a camera 74; a breath testing sensor 78; and a printed circuit board (PCB) assembly 80.

[0078] The breath tube 72 is configured to be placed at or in a user's mouth during breath testing. In some embodiments, the breath tube removably fixed to the breath interface tube 76 and is disposable. In some embodiments, the breath tube is made of glass, as shown for
30 example in Figure 14, and may be constructed so as to break in the event that a hole is

drilled therein. As such the glass breath tube is intended to prevent users from “tricking” the breath testing device by substituting another’s breath for the user’s.

[0079] Turning again to Figures 6-7, the breath interface tube 76 is in communication with
5 the breath testing sensor 78, which may be, for example, a semiconductor or a fuel cell breath analyzer. The breath testing sensor 78 is configured to receive the user’s breath and calculate substance content data, which may be, for example, a blood alcohol level, and to transmit the substance content data to the PCB assembly 80.

10 [0080] In some embodiments, the breath testing sensor 78 comprises a sensor capable of detecting the presence of at least one controlled substance or narcotic. The sensor 78 may utilize, for example, a chromatography sensors, mass spectroscopy sensors, fiber optic fluorescent sensors, or surface acoustic wave sensors to detect the presence of controlled
15 substances or narcotics and their derivatives, such as, for example: methamphetamines, amphetamines, barbituates, tetrahydrocannabinol or other cannibanooids, benzoylmethylecgonine, diacetylmorphine or other opiates/opioids, lysergic acid diethylamide, psilocin, phencyclidine and the like, in a user’s breath.

[0081] The PCB assembly 80 is configured to receive the substance content data and
20 generate a breath test signal 11 therefrom. The PCB assembly 80 is also configured to receive user identification data generated by the camera 74 and to generate the breath test signal from the compressed user identification data and the substance content data. In one embodiment, the PCB is configured to operate a compression process, such as JPEG
25 compression, for example, to compress the user identification data.

[0082] A front case 84 and a rear case 86 operate to form a protective housing for the breath
testing device 70, and a grip portion 85 provides a textured surface to increase friction and
user grip capability. The rear case 86 has a removable sensor cover 92 that is detachable
30 from the rear case 86 to expose the breath testing sensor 78 and permit changing of the breath testing sensor (e.g., in the case of a replaceable fuel cell) 78. A power button 89 is in

electrical communication with the PCB assembly 80 and extends beyond the front case 84 so as to be readily accessible to a user. The power button is operable to switch the breath testing device 70 between an on-state and an off-state. A battery compartment 90 operates to house batteries (not shown) that are the electrical power source for the breath testing device.

5 Preferably, the breath testing device will require two AA batteries as an electrical power source.

[0083] A status indicator light 82, such as an LED, for example is provided in electrical communication with the PCB assembly 80, which indicates a status of the breath testing device. The status indicator light 82 may, for example, indicate that a breath test and/or user

10 identification is occurring, or that a generated breath test signal indicates a substance content greater than a predetermined threshold, or that a generated content signal 11 indicates a user identification data does not match with a reference user identification data, or that transmission of the generated content signal 11 is occurring, has been successful, or has

15 failed, or that the batteries are running low on power. Corresponding audio signals, such as various types of beeps may be employed as well.

[0084] Additionally, a device leveling module (not shown) may be provided. The device leveling module preferably comprises at least one accelerometer in connection with the PBC

20 80. The device leveling module may operate to detect whether the testing device remains in an optimal orientation during the testing phase. For example, best image quality generally occurs when the camera remains horizontal and un-rotated during a photo. The device leveling module may indicate to the user, through a GUI, LED, sound or other such interface, that the device is at a proper orientation for identity verification.

25

[0085] Turning now to Figure 14, in some embodiments, the breath tube 72 may comprise a flange 73 configured to verify that the breath test tube 72 is properly inserted into the breath testing device 70. The flange may be substantially clear or otherwise imperceptible. However, the flange may become perceptible during a breath test, and specifically during

30 user identification with the camera such that the flange creates a colored image in the

resultant photograph or video capture that is only present when the breath test tube is properly inserted into the breath testing device. Preferably, the colored image comprises a blue ring adjacent the proximal end of the mouthpiece and distal to the user while in use. Moreover, the breath testing device may further comprise an actuator, such as an LED, that is active during the breath test to cause the flange to become perceptible if it is not already.

[0086] Additionally, the breath testing device may utilize software algorithms analyzing pressure and temperature sensor data to ensure that the breath being analyzed is that of a person. Accordingly, the breath testing device may comprise one or more pressure gauges (not shown) and/or temperature sensors (not shown) at various points in the breath tube 72, breath interface tube 76, and the breath testing sensor 78 areas. The pressure and temperature data is transmitted to the monitoring station with the associated report (or as part of the report). The data is examined by the software algorithms to determine whether the breath test was compromised. The tests that are not consistent with human breath, or the breath signature of the registered user, are flagged. Preferably, those flagged tests are then confirmed by the human supervisory monitor, be it an employee of the monitoring station, a sobriety coach, a parent or family member, or the like. Figure 16 for example, illustrates a hypothetical scenario involving breath tests from the intended user (within an accepted variance) and breath tests that would be flagged as abnormal. In the illustrated hypothetical, the flagged breath tests include breath tests generated by a canned air source, which – contrary to a normal human breath test that starts colder and raises in temperature – typically gets colder as the blow continues for the extended period of the breath test.

[0087] As is illustrated in Fig. 5, the breath testing device 50 may be connected to a mobile wireless or cellular transmitter or transceiver device 52, which may be connected to the breath testing device 50 either directly, such as by an electrical connection, or wirelessly, to receive the breath test signal 11 comprising breath test data and photograph, movie, or other user identification data, as well as any GPS location data 54.

[0088] In some embodiments, the breath testing device can also be usable in combination with an iPod, iPhone, or other wireless or cellular device such as a BlackBerry, or any other computing device, for example, which can serve as a wireless or cellular transmitter or transceiver device 52, as discussed herein. The wireless or cellular transmitter or transceiver device 52 is preferably configured to be connected to the breath testing device 50 either directly, such as by an electrical connection, or wirelessly, such as via a Bluetooth connection, for example, to receive the breath test signal 11 and user identification data from the breath device.

[0089] In some embodiments, the wireless or cellular transmitter or transceiver device may also be configured to transmit the breath test signal 11 for each testing session over a wireless or cellular network to a wireless or cellular receiver monitoring station 56 configured to receive the breath test signal 11, and to indicate an alarm condition or alert the supervisory monitor if a breath test signal is not received from the wireless or cellular transceiver device within a desired timeframe or schedule, indicating that the wireless or cellular transmitter or transceiver device is off, or if the content signal is greater than a predetermined threshold, as discussed above.

[0090] A GPS device 310, shown in Figure 11, may generate a location data that is preferably incorporated into the content signal 11 and transmitted therewith. The wireless or cellular transmitter or transceiver device 52 can in turn transmit the content signal, comprising at least one of: the content signal, the content data, user identification data, and location data, over a wireless or cellular network to a wireless or cellular receiving station 56, where they may be stored, for example, as in a database at a monitoring station or in a text or e-mail message. Thus, the location of the user when the test is submitted may be identified and logged.

[0091] Alternatively, the content signal 11 comprising at least one of: content data, user identification data, and location data, can be sent directly from one mobile wireless or cellular transmitter or transceiver device to another mobile wireless or cellular transmitter or

transceiver device 58, without storing one or more of the content data, user identification data, or location data.

[0092] The wireless or cellular receiver monitoring station 56 can be configured to receive
5 the content signal comprising at least one of: content data, user identification data, and location data, and to indicate an alarm condition or alert a supervisory monitor 60 either directly or via a network 62. A cellular module can alternatively be provided inside the breath testing device 50 to transmit the breath test signal 11 directly through WiFi, cell towers, Multimedia Messaging Service (MMS), or through a network 62 such as the
10 Internet, or a mobile wireless network, such as those that do not rely on fixed infrastructure, for example. Transmission may be directly to the supervisory monitor 60 or indirectly through the receiving station 14. Thus, in some embodiments, the receiving station comprises the supervisory monitor.

[0093] Turning now to Figure 9, in some embodiments, a mobile breath-testing module 210
15 and user identification device 220 may also be included in a vehicle ignition interlock signal generating system 200. The output of the breath test module 210 and the user identification module 220 may be provided to a breath test signal module 230, which then may provide a signal to enable/disable a car ignition lock 240 based on the data received in accordance
20 with the algorithms described above. The enable/disable signal may be provided to the car ignition lock 240 either wirelessly, e.g., via Bluetooth connection, or a wired connection. In addition, an on-call supervisory person 250 may be alerted, and a receiving station 260, which may be a website and/or monitoring station may also receive the enable/disable signal as well as the content signal 11 described above.

25

[0094] A preferred embodiment will now be described with reference to Figure 10.

[0095] A hand-held breath testing unit 300 comprises a user identification module 320, a
30 breath analysis module 340, a control module (CPU) 360, and a first personal area network (PAN) module 380.

[0096] The breath analysis module 340 receives the breath of a user and generates a substance content data 440 therefrom that is sent to the CPU 360. The substance content data indicates the presence of various substances in the breath of a user. For example, the substance content data may indicate the presence of a substance above a certain predefined threshold or it may indicate a percentage or other identifier. While the substance data preferably indicates alcohol content, the substance data may also indicate the presence of narcotics, radiation, viral or bacterial infection, cancer or any other chemical or biological substance.

10

[0097] The breath analysis module 340 may comprise a substance sensor 342, an air sampling system 344, a pressure sensor 346, and a temperature sensor 348.

15

[0098] The air sampling system may be a NHTSA approved PAS Systems air sampling system. In any case, the air sampling system is operable to take a consistent and repeatable breath sample after a volume of air has passed through. The air sampling system enables the breath analysis module to measure the substance content of deep lung air by enabling fine measurement of the volume of air in the blow before a sample is taken. The pressure sensor detects the prescribed minimum pressure of a blow and enables the air sampling system to sample the breath after a set time at or after a prescribed pressure is reached, enabling deep lung air to be sampled by the substance sensor. This prescribed pressure may be settable and is preferably set at a minimum volume of approximately 0.6L. Additionally, the pressure sensor and air sampling system may provide a running estimate of total air volume blown and the air may be sampled after a prescribed minimum volume has been reached. This prescribed volume is preferably set at approximately 1.2L. This minimum volume may be altered to fit to an individual user's lung capacity.

20

25

30

[0099] The substance sensor 342 may be a precision fuel-cell alcohol sensor that converts alcohol in a user's breath to an electrical signal that is measured and used to compute the amount of alcohol in the user's blood. Alternatively, the substance sensor may be a

semiconductor alcohol sensor. The substance sensor analyzes the breath of a user and generates the substance content data therefrom. The substance content data is then transferred to CPU. Calibration of the fuel cell sensor may be performed using either a wet or dry gas simulator with a calibrated solvent accurate to within +/- 3% of the stated value.

5 In some embodiments, a calibration point may be a BrAC level of 0.02.

[0100] The substance sensor 342 may also be a chromatography/mass spectroscopy sensor that converts narcotics, such as methamphetamines, present in the user's breath into an electrical signal that is measured and used to compute the amount of narcotic in the user's
10 blood. Alternatively, the substance sensor 342 may be a fiber optic fluorescent sensor, or surface acoustic wave sensor. These sensors may be calibrated to detect the presence of controlled substances or narcotics and their derivatives or metabolites, such as: methamphetamines, amphetamines, barbituates, tetrahydrocannabinol or other cannibanoids, benzoylmethylecgonine, diacetylmorphine or other opiates/opioids, lysergic acid
15 diethylamide, psilocin, phencyclidine and the like, in a user's breath. The substance sensor analyzes the breath of a user and generates the substance content data therefrom. The substance content data is then transferred to CPU.

[0101] In some embodiments the sensor 342 may comprise a mass spectroscopy sensor,
20 such as described in US2007/0062255; US2005/0065446; Berchtold, et al., International Journal of Mass Spectrometry 299 (2011) 145–150; and Karolinska Institutet (2010, May 19), New technique enables drugs tests via exhaled breath, ScienceDaily, Retrieved December 19, 2011, from
<http://www.sciencedaily.com/releases/2010/05/100519081438.htm>, the contents and
25 disclosures of which are herein incorporated by reference.

[0102] As shown in Figure 12 the sensor 342 may comprise a gas chromatography module 342a and a mass spectrometer module 342b. The user's breath may pass from the air sampling system 344 to the gas chromatography module 342a. The air sampling system may
30 be operable to take a consistent and repeatable breath sample after a volume of air has

passed through. The gas chromatography module may retain the molecules present in the user's breath and may release the molecules according to each molecule's retention time. The molecules may travel to the mass spectrometer module 342b. In some embodiments, the gas chromatography module 342a may comprise an inert gas injector (not shown) which
5 may cause the released molecules to be transferred to the mass spectrometer 342b at a substantially uniform rate. The mass spectrometer module 342b may ionize the released molecules and break them into fragments that are detected according to their mass-to-charge ratio. This detection may comprise converting the molecules into an electrical charge. The detected mass-to-charge ratios may then be compared against those of substance molecules
10 according to their known retention times. Thus, the presence of certain narcotics in the user's breath may be detected. Preferably, the sensor 342 may be adjustable to detect a particular narcotic or group of narcotics by limiting analysis to those molecules whose retention times match the substance(s) selected for testing.

15 [0103] Returning to Figure 10, the user identification module 320 identifies the user of the breath testing unit. Identification may be by biometrics, photograph, video, or any other user identifying module now known or hereafter discovered. The user identification module operates to generate user identification data 420 for verifying the user of the breath testing unit. The user identification module may comprise a camera 322 equipped with an LED
20 light 324 that provides a flash for the camera. The LED is preferably an infrared LED creating an infrared flash so as to ensure positive identification of the user in even the darkest of surroundings. The infrared flash allows the resultant image to be of black and white quality in dim or dark lighting and in full color with more lighting. The infrared flash also uses less power and has a faster trigger time than an incandescent flash. The user
25 identification data 420 may be a jpeg photograph. Immediately after the air sample is taken, the camera takes a picture of the user to signal the end of the breath testing session.

[0104] The CPU 360 controls the functionality of the component parts of the breath testing unit and stores computer readable instructions thereon whose execution enables the breath
30 testing unit to function. The CPU receives the user identification data and substance content

data from the user identification 320 and breath analysis 340 modules, respectively, and generates the breath test signal 400 therefrom.

[0105] The first PAN module 380 is in electrical communication with the CPU 360 and
5 receives the breath test signal 400 therefrom. The first PAN 380 module may be a Bluetooth module with an embedded transceiver operable to wirelessly transmit the breath test signal.

[0106] An intermediary device 500 such as a smart cellular phone, PDA, tablet, laptop, or
10 other mobile or personal computing device having internet, wireless and/or PAN capabilities, is in communication with the testing unit. The intermediary device may comprise a second PAN module 520 creating a wireless PAN communication between the second PAN module of the intermediary device and the first PAN module of the breath testing unit. In some embodiments, the first PAN module may be a slave and the second PAN module a master. In other embodiments, the first PAN module may be a master and the
15 second PAN module a slave.

[0107] Communication between the first and second PANs may be secured by data encryption techniques now known or hereafter devised. For example, data may be encrypted by means of a random security PIN.
20

[0108] The intermediary device 500 preferably receives the breath test signal 400 from the breath testing unit, via communication between the first and second PAN modules, and wirelessly transmits the breath test signal to a monitoring station 600. Transmission to the monitoring station 600 may be accomplished either directly through WiFi, cell towers, or
25 though a network such as the Internet, or a mobile wireless network.

[0109] The intermediary device 500 preferably comprises a general purpose smart phone equipped with a software application enabling the intermediary device to receive and transmit the breath testing signal. But, the intermediary device may also comprise a
30 similarly equipped PDA, tablet, laptop or other mobile or personal computing device. The

software application may cause the intermediary device to display a reminder at a predetermined time, the reminder reminding the user that a breath testing session is due. Additionally, the software application may cause users to receive electronic reminders via SMS, email, or bi-directional communication with the breath testing unit. Additionally, the software application may enable the intermediary device to receive breath test requests from the monitoring station. Such requests may be remotely or directly transmitted to the intermediary device.

[0110] In some embodiments, the software application enables the intermediary device to function as a identity verification module. For example, the software application may enable the intermediary device to take a rental or thumb print scan of the user as part of the user identification process. In some embodiments, this identity verification comprises photographic verification and may replace or supplement the user identification module 320. The software application may further enable the intermediary device to receive the breath test signal and to generate a modified breath test signal 400 therefrom, transmitting the modified breath test signal to the monitoring station 600. The modified breath test signal may be an encrypted signal. The modified breath test signal may also comprise identity verification data and/or a time/date stamp data indicating at least one of a time and date that the breath test data was transmitted to the monitoring station. Additionally, the functioning of the software application may be transparent to a user.

[0111] In at least one embodiment, the identity verification data may be transmitted to the monitoring station where it may be compared to a master ID. For example, the identity verification data may be a photograph and the master ID may be a previously taken photograph. The monitoring station may use facial recognition to compare the photograph with the master photograph. Alternatively, the intermediary device may store the master ID and may operate to compare the identity verification data with the master ID. If the identity verification data does not match the master ID, the modified breath test signal may comprise a “failed” state and the monitoring station may be notified.

[0112] In some embodiments, one or more of the breath testing unit, intermediary device, receiving station, and supervisory monitor identifies, for example, 'dirty' reports, missed testing sessions, failed user identification, or other mishaps in testing which may be attributable to human error and causes the intermediary device to display an alert to the user
5 to re-test.

[0113] In some embodiments, the software application causes the intermediary device 500 to undergo an authentication process. During the authentication process, the intermediary device may be paired to the breath testing unit 300 and/or to the monitoring station 600. The
10 application software may require that a PAN authentication key, for example the serial number of an associated breath testing unit or interlock device, be entered into the intermediary device so as to associate the intermediary device with the breath testing unit and/or the monitoring station and permit operation therewith.

[0114] Communication between the intermediary device and the monitoring station may be secured by data encryption techniques now known or hereafter devised. For example, data may be encrypted by means of a random security PIN. Devices that are compromised may be forced from the monitoring station server and may require re-activation and authentication. Additionally, reactivation and authentication may be required to re-link
15 intermediary devices with breath testing units where the security of communication therebetween may be compromised.
20

[0115] After the intermediary device 500 is paired with the breath testing unit 300, a device status signal including battery level is sent to the intermediary device. When the
25 intermediary device receives the status signal indicating a successful authentication, it may display a prompting screen, prompting the user to blow into the breath testing unit. Additionally, the breath testing unit may also prompt the user to blow by flashing the power LED. In some embodiments, prompting may occur at a predetermined time that is not directly after authentication but at a predetermined time stored in a memory of the
30 intermediary device and accessible by the application software. In such an embodiment, the

intermediary device and the breath testing device and/or monitoring station may remain in remote connection until a breath test is prompted and even after one has been completed to enable periodic breath testing.

5 [0116] Once the air sample has been captured and the picture taken, the software application enables the intermediary device 500 to receive a test completion signal from the breath testing unit and to display a compiling report screen. The application software enables the intermediary device to receive the breath test signal generated by the breath testing unit. If the breath testing signal indicates an error in the test, then the application software causes
10 the intermediary device to display the errors. Once the breath test data is completely received by the intermediary device, the software application causes the intermediary device to display a compiling report screen. The software application then causes the intermediary device to compile the modified breath test signal based on the breath test signal. The modified breath test signal may then be sent to the monitoring station 600. Additionally, the
15 software application causes the intermediary device to transmit an end process signal to the breath testing unit.

[0117] In some embodiments, the software application may cause the intermediary device to generate a report that is displayed on the intermediary device or may be sent to the
20 monitoring station 600. The report may contain substance content and user identification data formatted so as to be viewable by a user.

[0118] Additionally, the intermediary device may comprise a memory (not shown) and the report may be communicated to the memory and stored. This may occur automatically, for
25 example, if the connectivity to the monitoring station is compromised, or the ability of the intermediary device to transmit the report is otherwise impaired.

[0119] As illustrated in Figure 13, when multiple reports are generated during such a period, the memory may store the reports in a queue. After a report is generated (step 1302), the
30 intermediary device, or the breath testing device itself as the case may be, attempts to

transmit it to the monitoring station (step 1304) in accordance with the previously described embodiments. On the indication of a failed transmission due to, for example, the connectivity to the monitoring station being compromised, or the ability of the intermediary device or breath testing device to transmit the report being otherwise impaired, the report is
5 communicated to the memory of the intermediary device and/or the breath testing device and queued therein (step 1306). After a predetermined period of time has passed, the intermediary device and/or the breath testing device attempts to again transmit the queued report(s) to the monitoring station (step 1306). This process continues until a successful transmission occurs. Thus, once connectivity is reestablished, the reports may be
10 transmitted to the monitoring station in the order that they were generated (step 1308). Accordingly, the intermediary device and/or the breath testing device preferably comprises a feedback loop for communicating to the device(s) that the report transmission was either successful or unsuccessful.

15 [0120] In at least one embodiment, the queuing feature is able to be turned on/off remotely from the monitoring station, preferably by the supervisory monitor. Moreover, where such queuing is enabled, the monitoring station is operable to reconcile the queued reports with the report history associated with the user and generate the aforementioned alerts based on at least the queued reports, in accordance with the embodiments described herein. These
20 alerts may comprise a different set of messages displayed on the device, text messages and/or email messages than the alerts generated where there has been no queuing. Figures 17A-C illustrates exemplary messages on the device. Figure 18A is an exemplary text or e-mail message received by the supervisory monitor in the event the connectivity between the monitoring station and the device is lost. Such a message would preferably correspond to a
25 similar message displayed on the device notifying the user of the inability to transmit the breath test report, an exemplary message shown for example in Figure 17 A.

[0121] For example, if the end-user submits a breath test and the ensuing report cannot be sent to the monitoring station (e.g. server supported website portal), the device may display
30 a self-diagnostic message on an LCD screen 75 of the device (shown for example in Figure

14), notifying the end-user of the report status and the action to take. Figure 17A, for example illustrates a message notifying the user that the device is unable to transmit the breath test report and instructs the user to relocate to a place with better network coverage. Figure 17 B, for example, illustrates a message notifying the user that the breath test has
5 failed and a confirmatory re-test will be required within a specified time period. Figure 17C, for example, illustrates a message notifying the user of current and prior test report status.

[0122] Figure 18B, for example, illustrates an exemplary message notifying the supervisory
10 monitor that the device has regained connectivity and the report history has been updated. The message may also include the results of the queued reports, as shown.

[0123] If a scheduled test is not received at the end of a given testing window and the device is unreachable, the monitoring station may mark the scheduled test as “pending.” Figure 15
15 illustrates an exemplary monitoring station 1000 in the form of a server supported web portal accessible via computer or other network connected device 1500. The web portal includes user identification data 1200, preferably comprising a reference image of the user 1220. The web portal also preferably comprises a report history or log 1400, listing a predetermined number of reports or summaries thereof. In the case where the report history
20 1400 lists report summaries, the full reports may be accessible via one or more links on the web portal, preferably the text of the report summary itself. In accordance with the embodiments discussed herein, the report history 1420 also may include a ‘test status’ field, the entry therein indicating whether a scheduled test is “pending,” “missed,” “positive,” or “completed,” as discussed further herein.

25
[0124] Figure 18C illustrates another exemplary web portal for use as described herein, showing a report history 1420 and user identification data 1200. In some embodiments, the user identification data may include an image generated in conjunction with the report (i.e. a report image 1222), to be compared with the reference image, as described herein.
30 Moreover, the report and/or report history preferably reconciles the time the breath test was

taken with the aforementioned breath testing schedule. This may occur via the breath test report history 1420.

[0125] If two consecutive scheduled tests are identified as “pending,” one or more of the monitoring station, supervisory monitor and/or the device may generate and issue one or more alerts. However, once the queued reports are successfully received by the monitoring station, the testing history may be reconciled with the information received from the device, at which time the "pending" statuses will be updated to either "Missed", "Positive", or "Completed" as the case may be. The end-user may receive a notification (e.g. via text message on their personal cell phone) of the status of their report(s) and the action to take, if action is required (i.e. retesting upon a positive BrAC test result). Additionally, an alert may be generated indicating that the end-user's device has regained connectivity and/or including a summary of the reconciled activity.

[0126] In at least one embodiment, each time one device is waiting for another to send a message, a timer is run and if the message does not arrive within a preset time, the test will be cancelled and the breath testing unit will shut down.

[0127] Returning now to Figure 10, the monitoring station 600 may be in wireless communication with the intermediary device 500 and may receive the breath test signal and/or the breath test report 400. In some embodiments, the monitoring station 600 receives the breath test signal and generates the breath test report. Preferably, the monitoring station comprise at least one of: a website, a cellular phone, an email account inbox, or a vehicle interlock device 700. In at least one embodiment, the monitoring station may enable the breath test signal and/or the breath test report to be accessible by a probation officer, a sobriety coach, or a family member. In some embodiments, this may comprise an email, phone call, website notification, text message or MSM alert indicating failure of the breath test by the user or indicating that a review of user activity is required. In some embodiments this may comprise storing the breath test signal or report in a memory to be accessed at a later time. This report storing may be in the form of a queue. In some embodiments, the

software application enables the intermediary device to, on selection by the user, to selectively transmit the breath test signal and/or report to one or more of the monitoring stations.

5 [0128] In at least one preferred embodiment, the monitoring station 600 comprises a vehicle interlock 700 having a digital processor 720, a non-volatile memory 740, an engine interface 760, an alarm interface 780, and a PAN module 790 coupled to the intermediary device 500. As described above, the intermediary device may transmit the breath test signal to the vehicle interlock device via the PAN network, or any other means of communication now
10 known or hereafter developed. On receipt of a breath test signal having a substance content data exceeding certain threshold, the digital processor 720 may cause the engine interface to disable the associated vehicle engine. The digital processor 720 may also cause the breath test signal and/or report to be stored within the non-volatile memory 740, accessible by authorized persons, for example police officers, probation officers, court officials, family
15 members and sobriety coaches. In some embodiments, the vehicle interlock 700 may function as an additional intermediary device and transmit the breath test signal to other monitoring stations by similar means as those described above with reference to the intermediary device.

20 [0129] In at least one preferred embodiment, the monitoring station 600 comprises the mobile device of a parent, guardian, family member or sober coach. In such an embodiment, the mobile device of the family member or sober coach comprises an auxiliary software application. The auxiliary software application may enable functionality similar to the intermediary device, in part or in whole, such functionality described above. In this
25 manner, on the spot breath testing may be conducted without the need to locate the user's mobile. Additionally, the auxiliary software may enable the monitoring station to transmit a breath test request signal to the intermediary device, as described above. For example, a parent of a teenage user may send the request to the cell phone of the teenage user and request a breath test to be completed by a designated time. On receipt of the request, the cell
30 phone of the teenage user would notify the teenage user that a breath test is due before the

designated time. The breath test signal and/or report would then be sent to the parent cell phone. In some embodiments, the auxiliary software enables the monitoring station to transmit the breath test signal and/or other control commands to other monitoring stations. For example, on receipt of a breath test signal having an undesired substance content data,
5 the parent may, from his cell phone, send the breath test signal or other control signal to the interlock device, thereby shutting down the teenager's use of the vehicle.

[0130] Referring now to Figure 11, the breath testing unit 300 may comprise an internal cell module 500 in exchange for the intermediary device, the breath testing unit here being a
10 stand-alone unit. Those of skill in the art will appreciate that the features associated with the afore described intermediary device are equally applicable to embodiments utilizing the internal cell module.

[0131] The breath testing unit may comprise, the user identification module 320, the breath
15 analysis module 340, the control module (CPU) 360, the cellular module 500 and a GPS module 310.

[0132] The cellular module 500 may comprise a transceiver operable to transmit the breath
20 test data to the monitoring station 600. The GPS module 310 may enable the tracking of the breath testing unit by the generation of location data. The breath test signal may be generated, at least in part, by the location data.

[0133] The breath testing unit 300 may also comprise a PAN module 380, enabling the
25 breath testing unit to be in PAN communication with the monitoring station 600, for example the vehicle interlock 700.

[0134] Communication between the PAN and the monitoring station may be secured by data
30 encryption techniques now known or hereafter devised. For example, data may be encrypted by means of a random security PIN. Devices that are compromised may be forced from the monitoring station server and may require re-activation and authentication.

[0135] The breath testing unit may also comprise a graphical user interface 330 (GUI). The GUI may permit the user to interactively control the breath testing process, calibrate the breath testing unit, schedule breath test times, retrieve past breath test reports, and/or access
5 other information stored in the breath testing unit.

[0136] The GUI may be configured to display a reminder at a predetermined time, the reminder reminding the user that a breath testing session is due. Additionally, the breath testing unit may cause users to receive electronic reminders via SMS, email, or bi-
10 directional communication between the breath testing unit and receiving station. Additionally, the breath testing unit may enable the user to receive breath test requests from the monitoring station. Such requests may be remotely or directly transmitted to the breath testing unit. Such requests may also be randomly timed (e.g. generated via a random
15 number generator or initiated by a human monitor, such as a parent or sobriety coach, without the user being aware of the request before the request is received by the breath testing unit.

[0137] The breath testing unit may also comprise an audio means, such as a speaker, for generating an audio reminder that a breath testing session is due. The tone and/or duration
20 of the audio alert may indicate the urgency of the required breath testing session. For example, three beeps may indicate a session is required immediately, while one beep may indicate a session will be due shortly. The audio means may also be configured to generate a vibration reminder according to methods known in the art.

[0138] Turning now to Figure 10, the breath testing unit 300 may be in communication with
25 an intermediary device 500, such as a cellular phone, PDA, tablet, laptop, or other mobile or personal computing device having internet, wireless and/or PAN capabilities, via a wired connection, such as wired connections utilizing serial bus interface standards. Accordingly, the breath testing unit 300 may comprise a serial bus port (not shown) configured to accept
30 data-transfer wire, such as a USB cable, a Fire Wire cable, or the like.

[0139] The intermediary device 500 preferably receives the breath test signal 400 from the breath testing unit 300 and wirelessly transmits the breath test signal to a monitoring station 600. Transmission to the monitoring station 600 may be accomplished either directly
5 through WiFi, cell towers, or through a network such as the Internet, or a mobile wireless network.

[0140] The embodiments described in detail above are considered novel over the prior art of record and are considered critical to the operation of at least one aspect of the apparatus and
10 its method of use and to the achievement of the above described objectives. The words used in this specification to describe the instant embodiments are to be understood not only in the sense of their commonly defined meanings, but to include by special definition in this specification: structure, material or acts beyond the scope of the commonly defined meanings. Thus if an element can be understood in the context of this specification as
15 including more than one meaning, then its use must be understood as being generic to all possible meanings supported by the specification and by the word or words describing the element.

[0141] The definitions of the words or drawing elements described herein are meant to
20 include not only the combination of elements which are literally set forth, but all equivalent structure, material or acts for performing substantially the same function in substantially the same way to obtain substantially the same result. In this sense it is therefore contemplated that an equivalent substitution of two or more elements may be made for any one of the elements described and its various embodiments or that a single element may be substituted
25 for two or more elements.

[0142] Changes from the claimed subject matter as viewed by a person with ordinary skill in the art, now known or later devised, are expressly contemplated as being equivalents within the scope intended and its various embodiments. Therefore, obvious substitutions now or
30 later known to one with ordinary skill in the art are defined to be within the scope of the

defined elements. This disclosure is thus meant to be understood to include what is specifically illustrated and described above, what is conceptually equivalent, what can be obviously substituted, and also what incorporates the essential ideas.

- 5 [0143] The scope of this description is to be interpreted only in conjunction with the appended claims and it is made clear, here, that each named inventor believes that the claimed subject matter is what is intended to be patented.

CLAIM(S)

What is claimed is:

- 5 1. A system for remotely monitoring the sobriety of a user, the system comprising:
a handheld breath testing device operable to receive a user's breath and determine
whether alcohol is present within the user, said handheld breath testing device including:
a portable, cordless hand-held case,
a breath alcohol content sensor housed within the case for sensing a breath
10 alcohol content of the user,
a user identification device housed within the case,
a wireless transceiver housed within the case,
a memory housed within the case, and
a controller housed within the case and electronically coupled to the digital
15 camera, the sensor, and the wireless transceiver; and
a server communicatively coupled to the handheld breath testing device, the server
including a database;
wherein the controller includes a processor and a non-transitory computer-readable
medium containing a sequence of instructions that, when executed by the processor, causes
20 the controller to execute the following operations:
capture user identification data with the user identification device during a
breath test, the user identification data identifying the user,
capture the breath alcohol content of the user with the breath alcohol content
sensor during the breath test,
25 attempt to transmit the user identification data and the breath alcohol content
to the server using the wireless transceiver,
determine whether the attempted transmission is successful,
store the user identification data and the breath alcohol content in the
memory in the event the attempted transmission is not successful; and

wherein the server further includes a processor and a non-transitory computer-readable medium containing a sequence of instructions that, when executed by the processor, causes the processor to execute the following operations:

5 receive the user identification data and the breath alcohol content from the handheld breath testing device; and

store the user identification data and the breath alcohol content within the database.

2. The system of claim 1,

10 wherein the breath testing device controller further captures a time stamp during the breath test; and

wherein the breath testing device controller further attempts to transmit the time stamp in association with the captured user identification data and breath alcohol content.

15 3. The system of claim 2,

wherein the server further stores the timestamp within the database.

4. The system of claim 1,

wherein the server is communicatively coupled to a supervisory monitor; and

20 wherein the servicer further transmits data to the supervisory monitor indicating whether the user identification data and the blood alcohol content data have been received by the server.

5. The system of claim 4, wherein the data transmitted to the supervisory monitor is transmitted to the supervisory monitor via email.

6. The system of claim 4, wherein the data transmitted to the supervisory monitor is transmitted to the supervisory monitor via text-message.

7. The system of claim 4, wherein the data transmitted to the supervisory monitor is transmitted to the supervisory monitor via voice message.
8. The system of claim 1,
5 wherein the breath testing device further includes a display exposed within the case, and
wherein the controller causes the display to indicate whether the user identification data and the blood alcohol content data have been received by the receiver.
- 10 9. The system of claim 1, wherein the breath testing device further includes breath tube for receiving the user's breath during the breath test.
10. The system of claim 9, wherein the breath tube is glass.
- 15 11. The system of claim 9, wherein the breath tube includes a colored flange.
12. The system of claim 11, wherein the colored flange is translucent except during the breath test.
- 20 13. The system of claim 12, wherein the breath testing device further includes a light source adjacent the colored flange, the light source operable to illuminate the colored flange during the breath test.
14. The system of claim 1, wherein the user identification device comprises an infrared
25 camera.
15. The system of claim 1,
wherein the user identification device further comprises a pressure sensor for sensing the pressure of the user's breath during the breath test, and a temperature sensor for sensing
30 the temperature of the user's breath during the breath test; and

wherein the user identification data includes the pressure and temperature of the user's breath during the breath test.

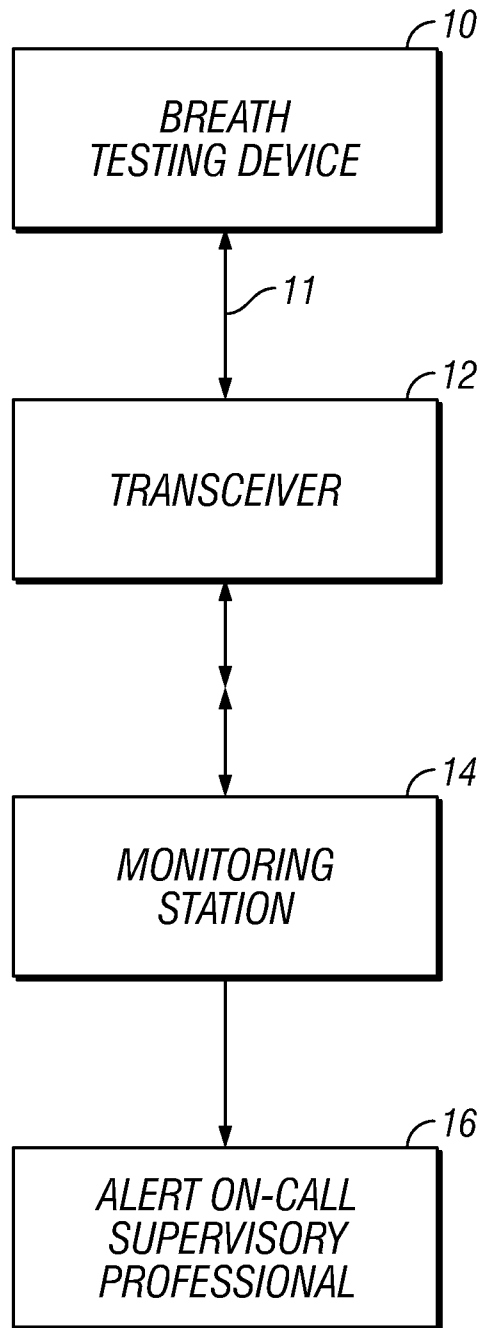


FIG. 1

2/19

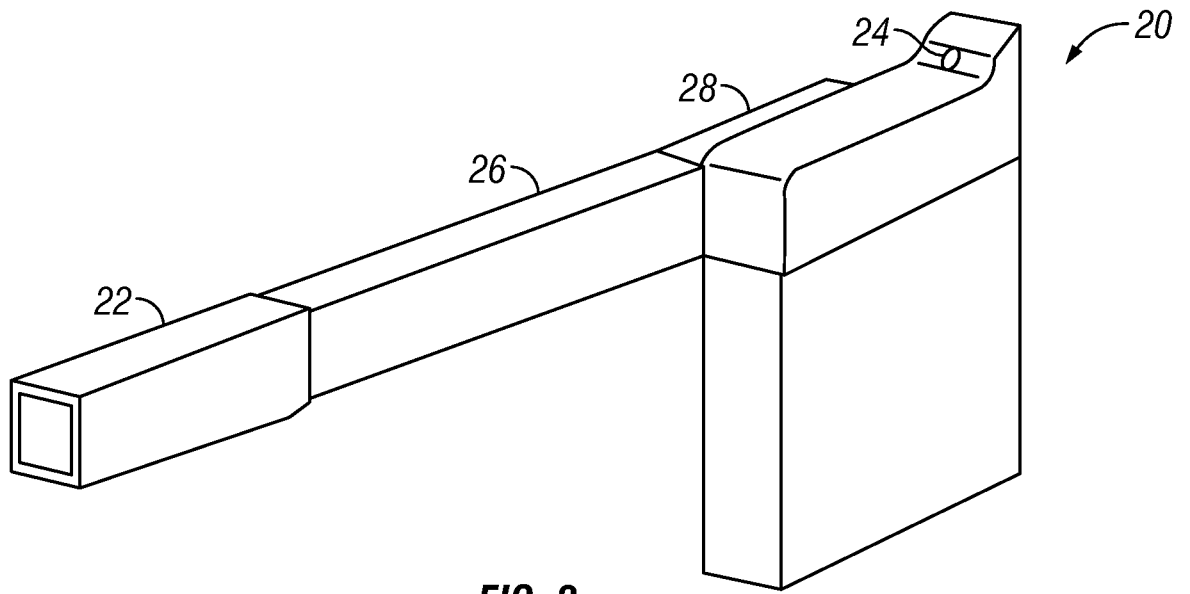


FIG. 2

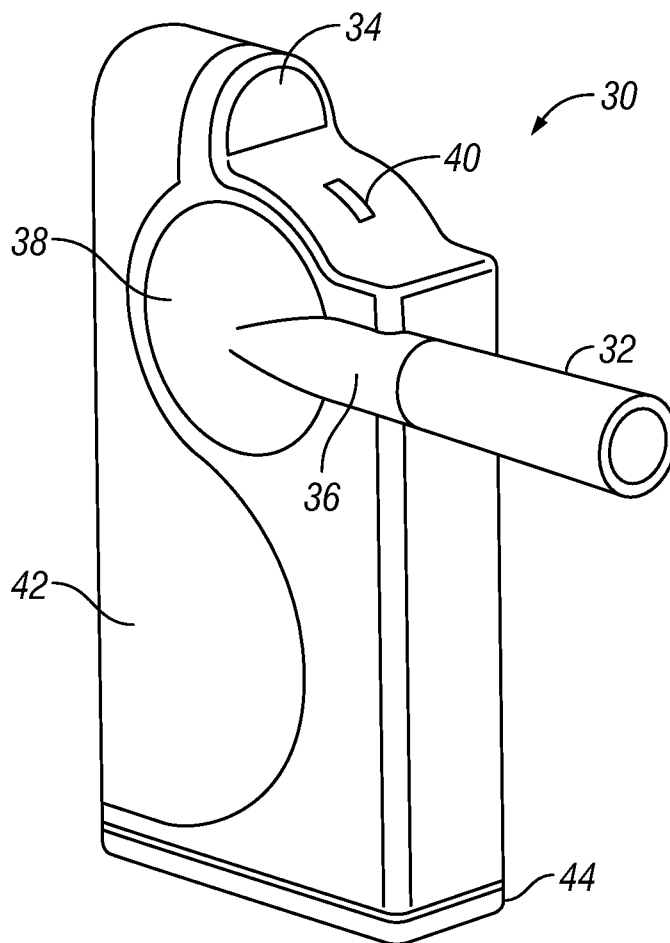


FIG. 3

SUBSTITUTE SHEET (RULE 26)

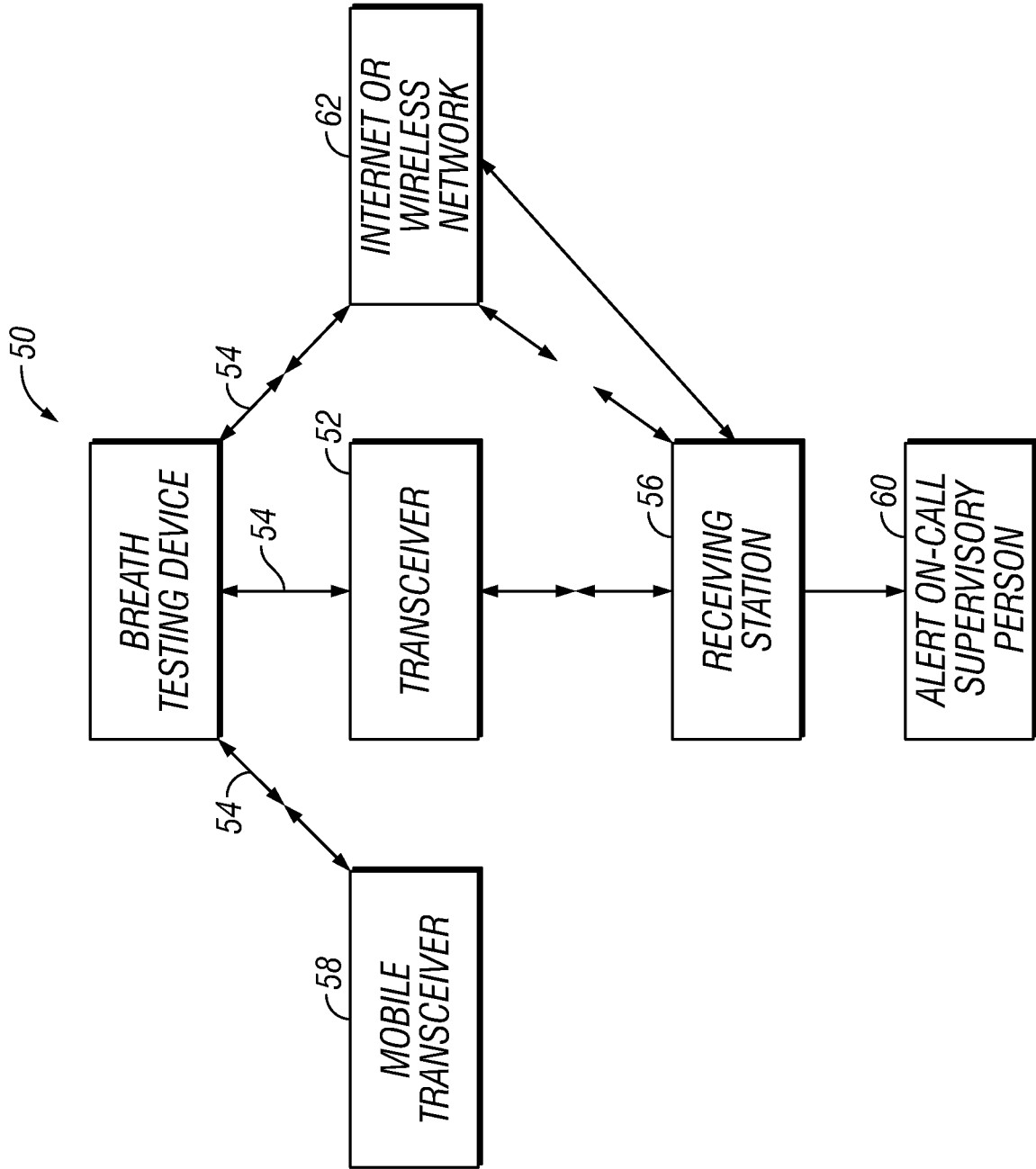
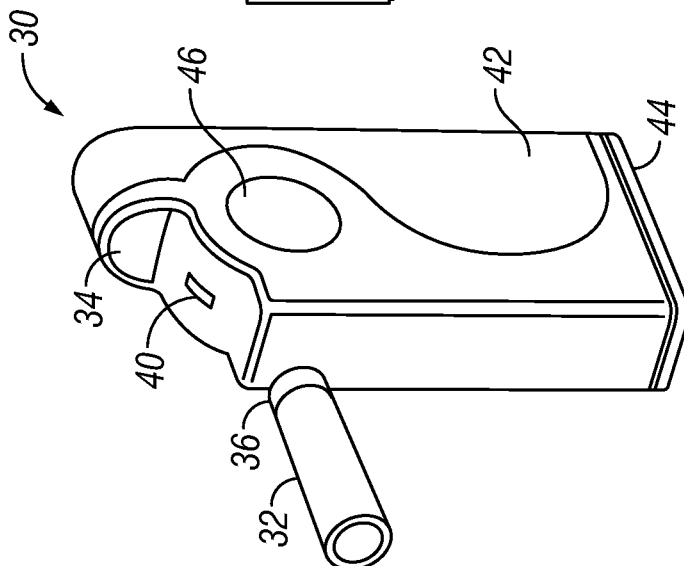


FIG. 5



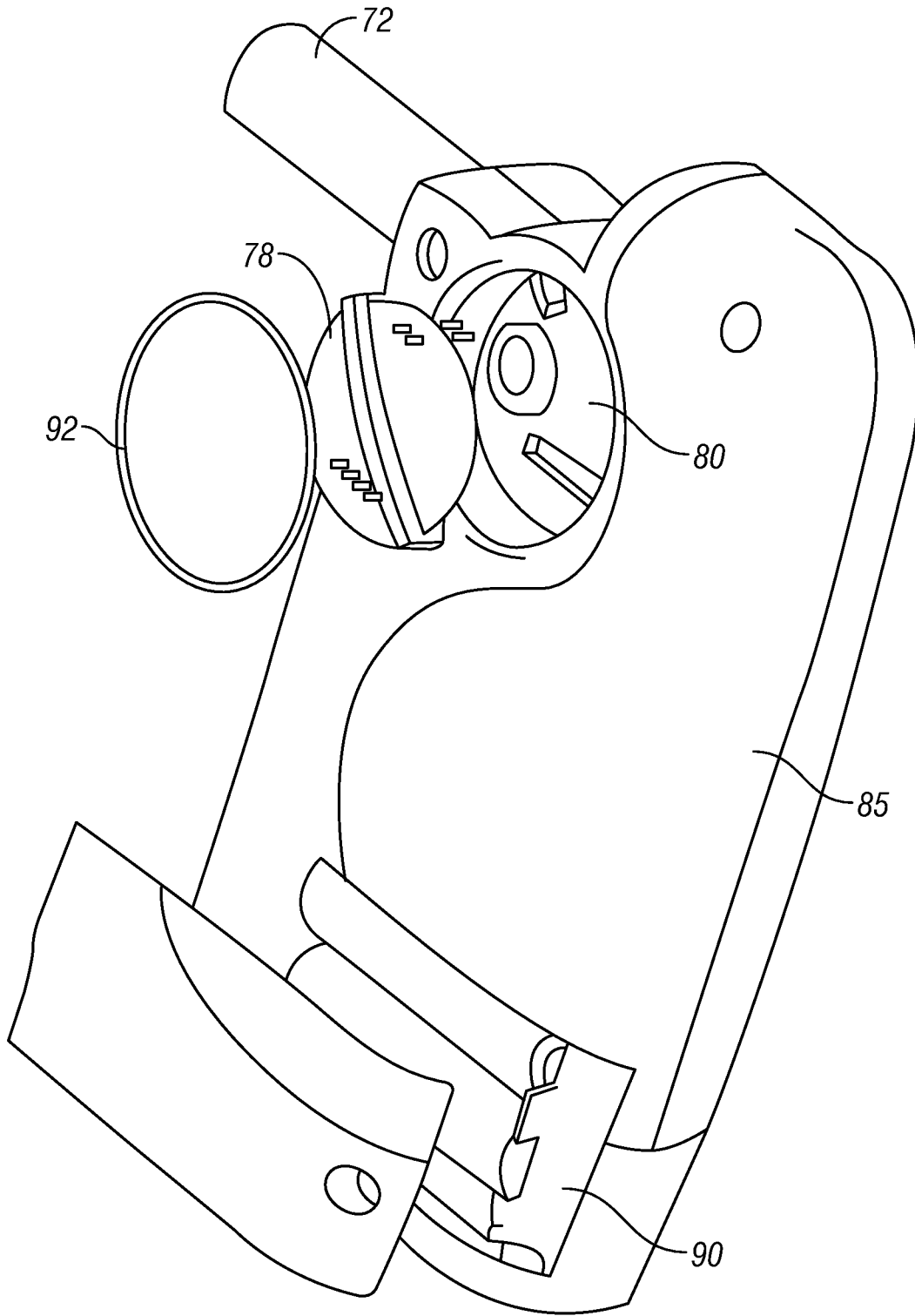


FIG. 6

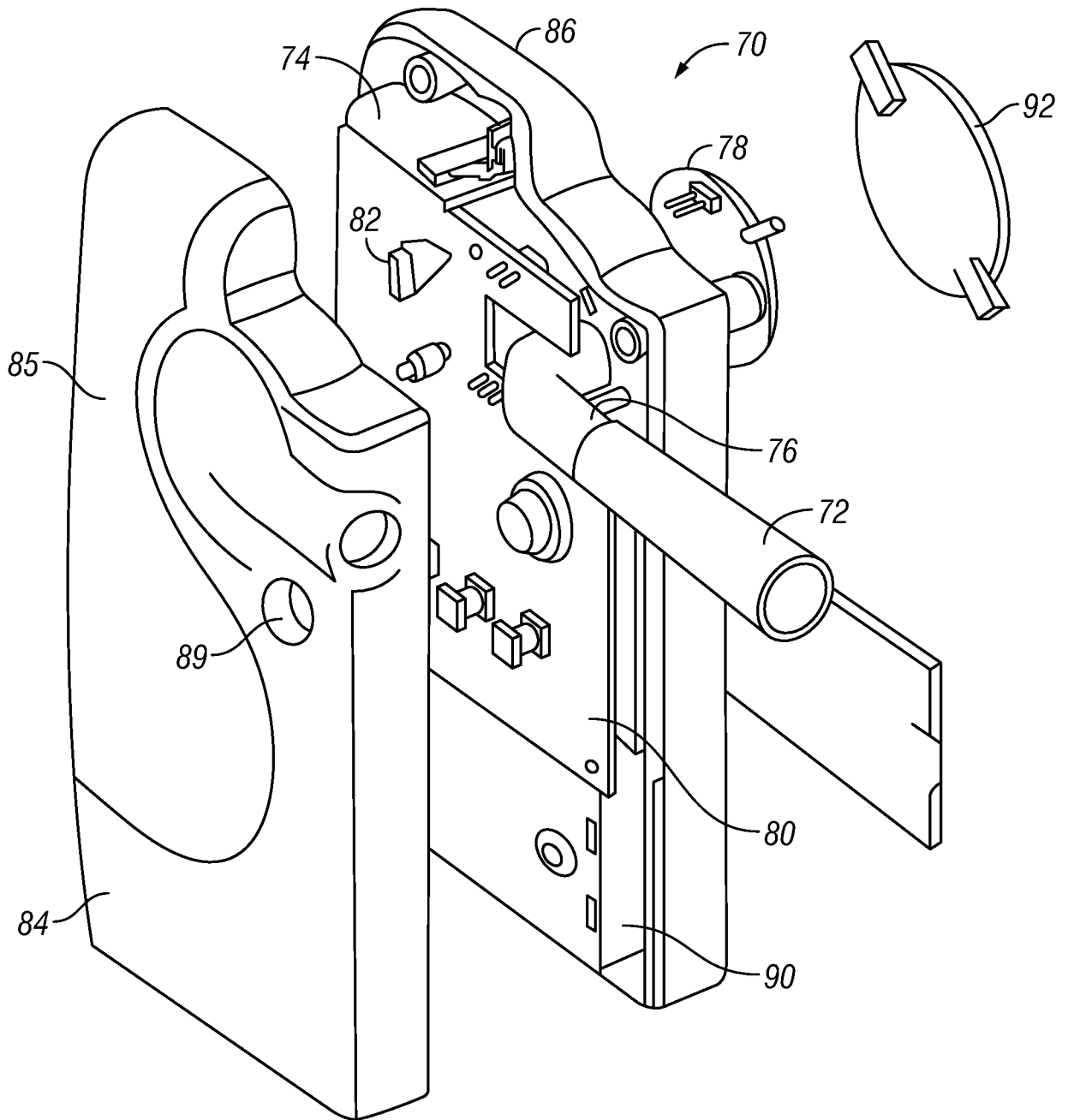


FIG. 7

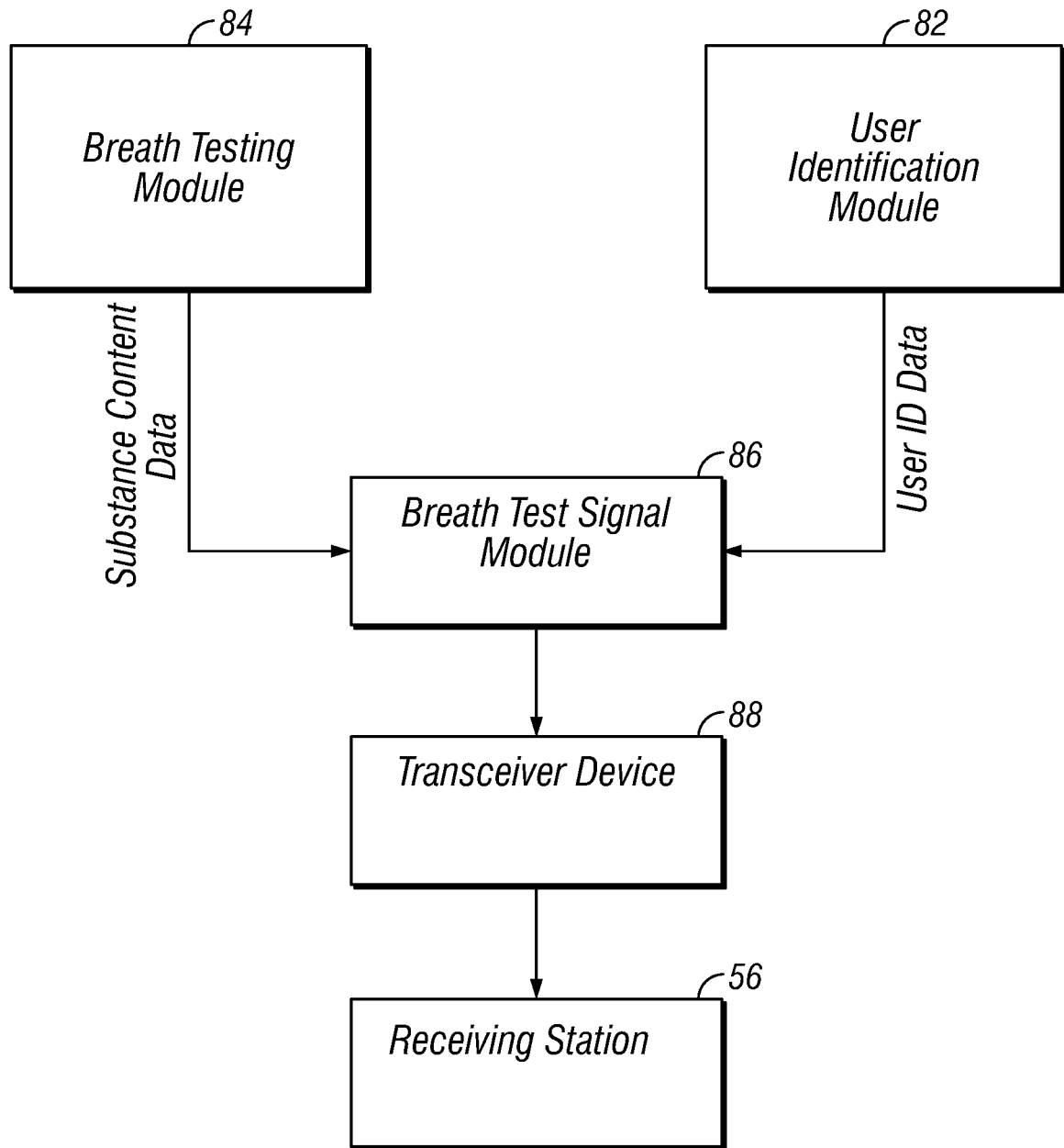


FIG. 8

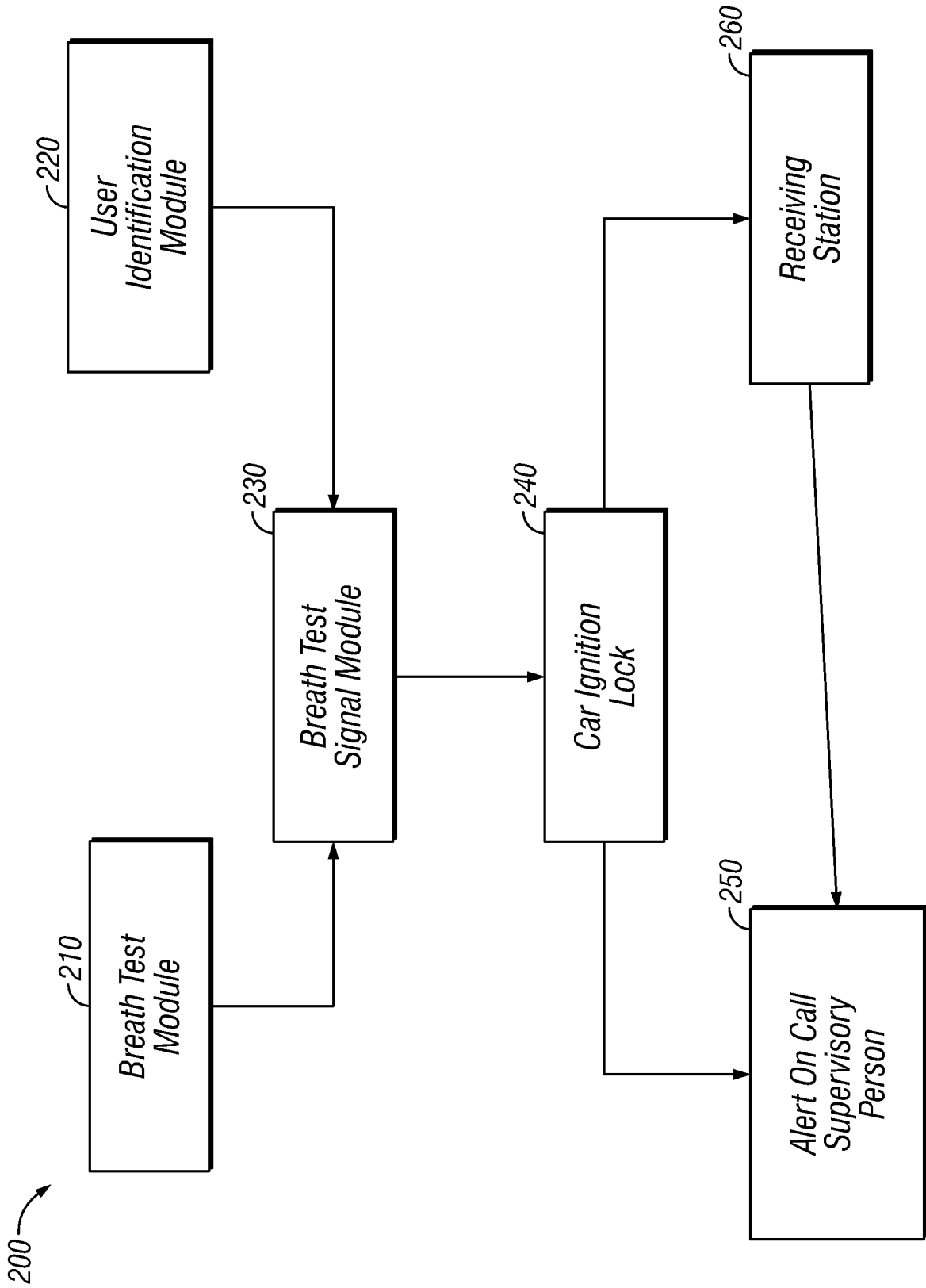


FIG. 9

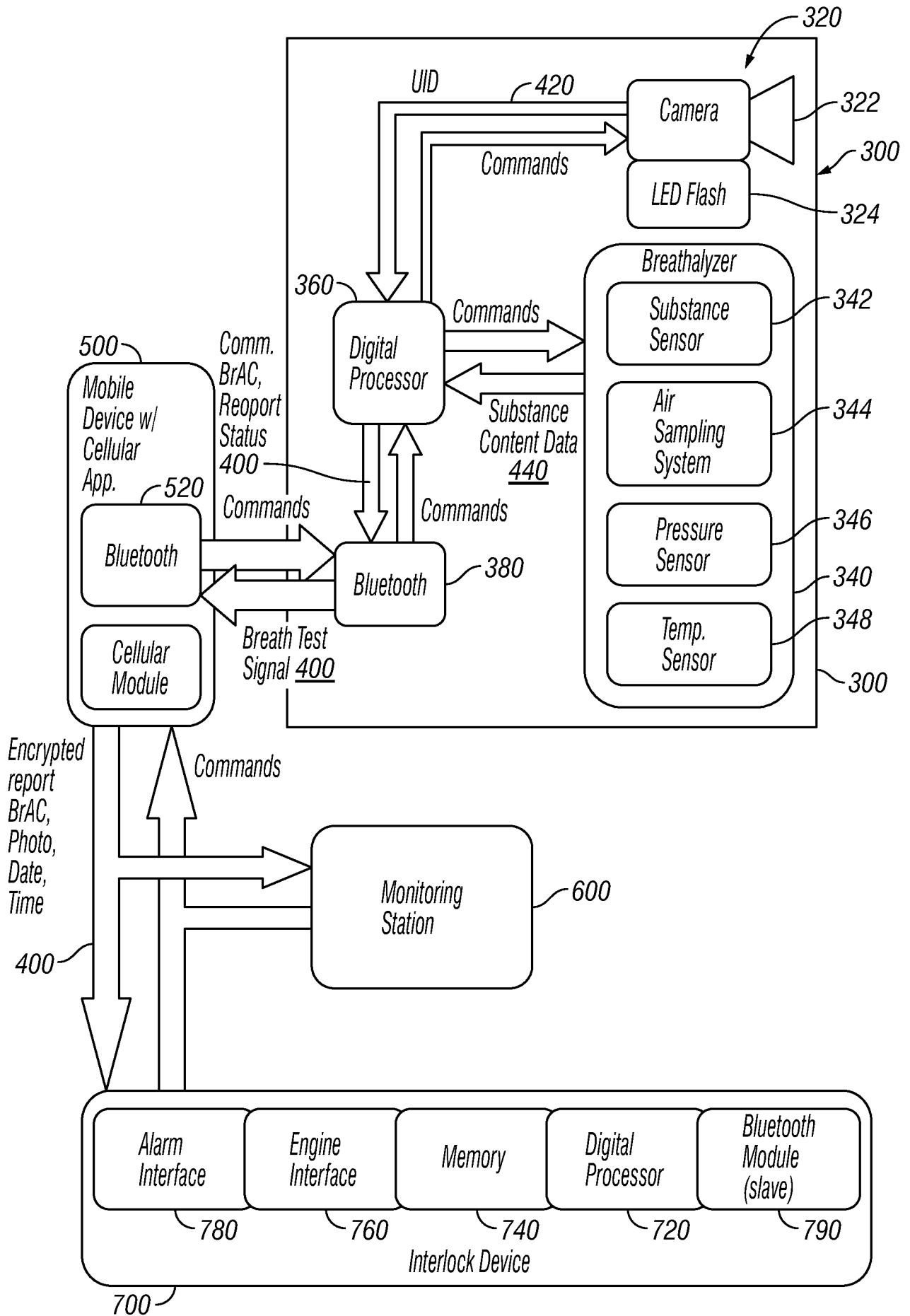


FIG. 10
SUBSTITUTE SHEET (RULE 26)

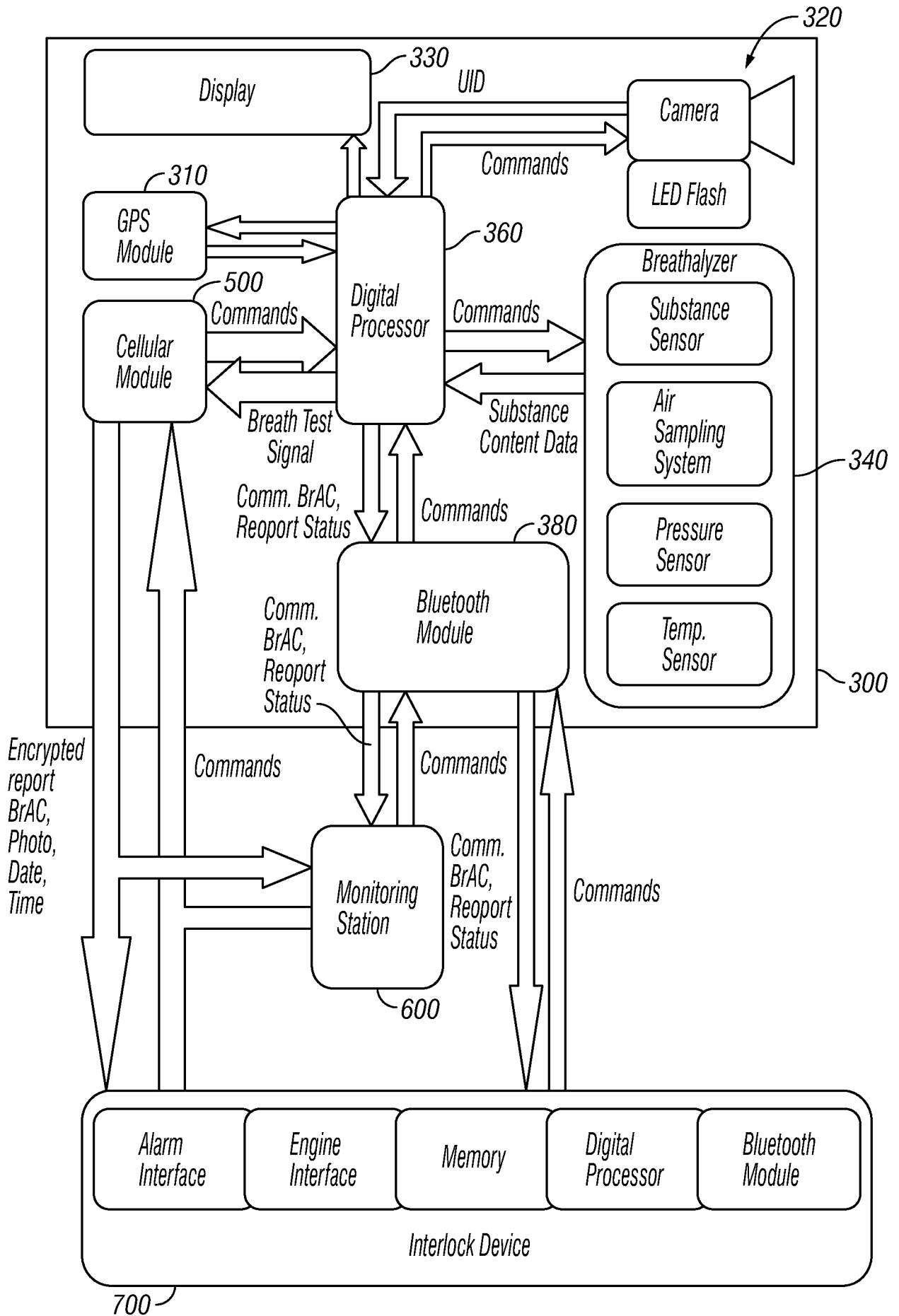


FIG. 11
SUBSTITUTE SHEET (RULE 26)

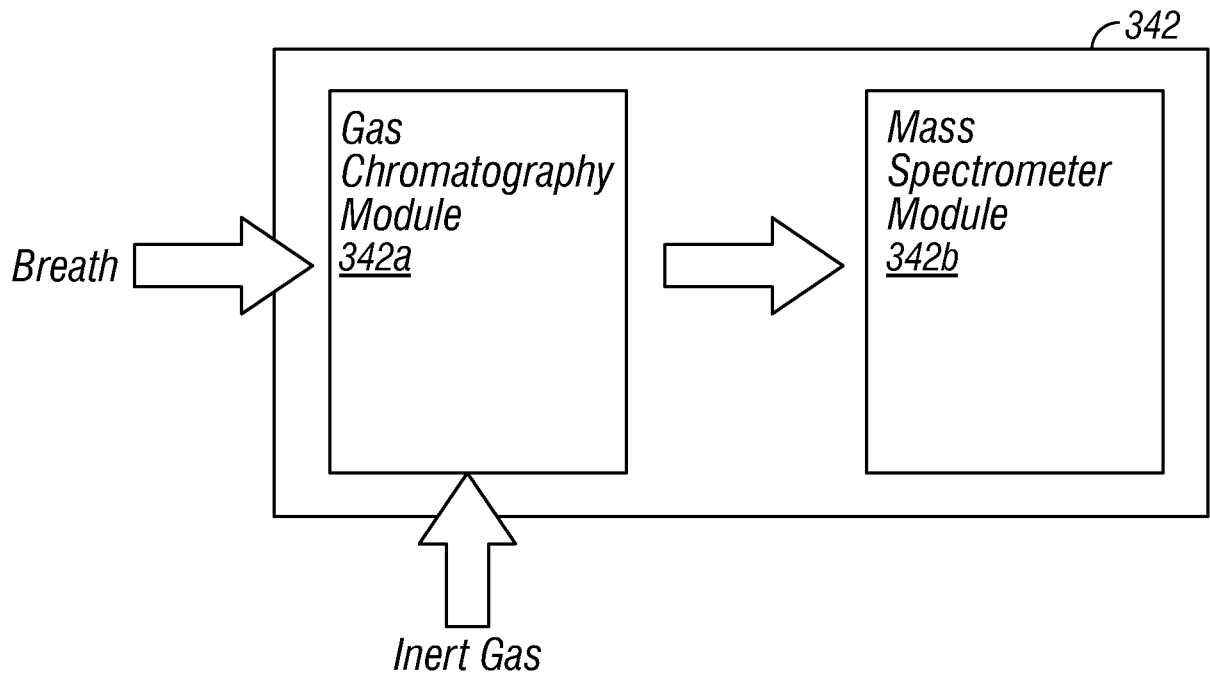


FIG. 12

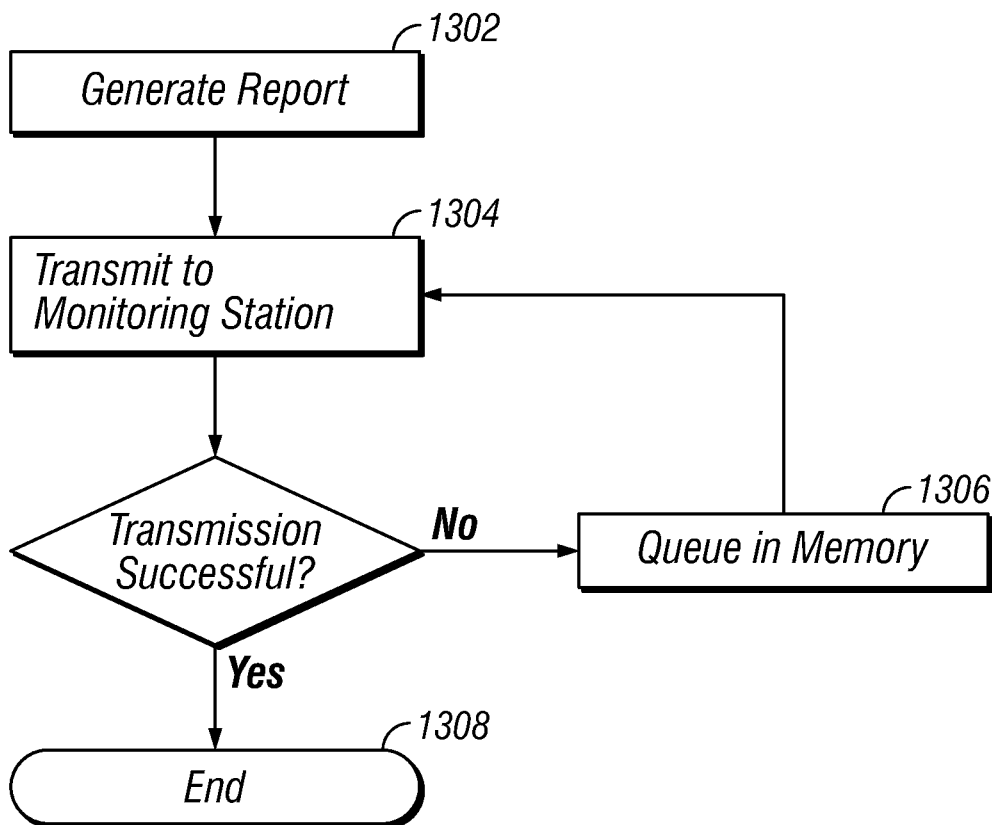


FIG. 13

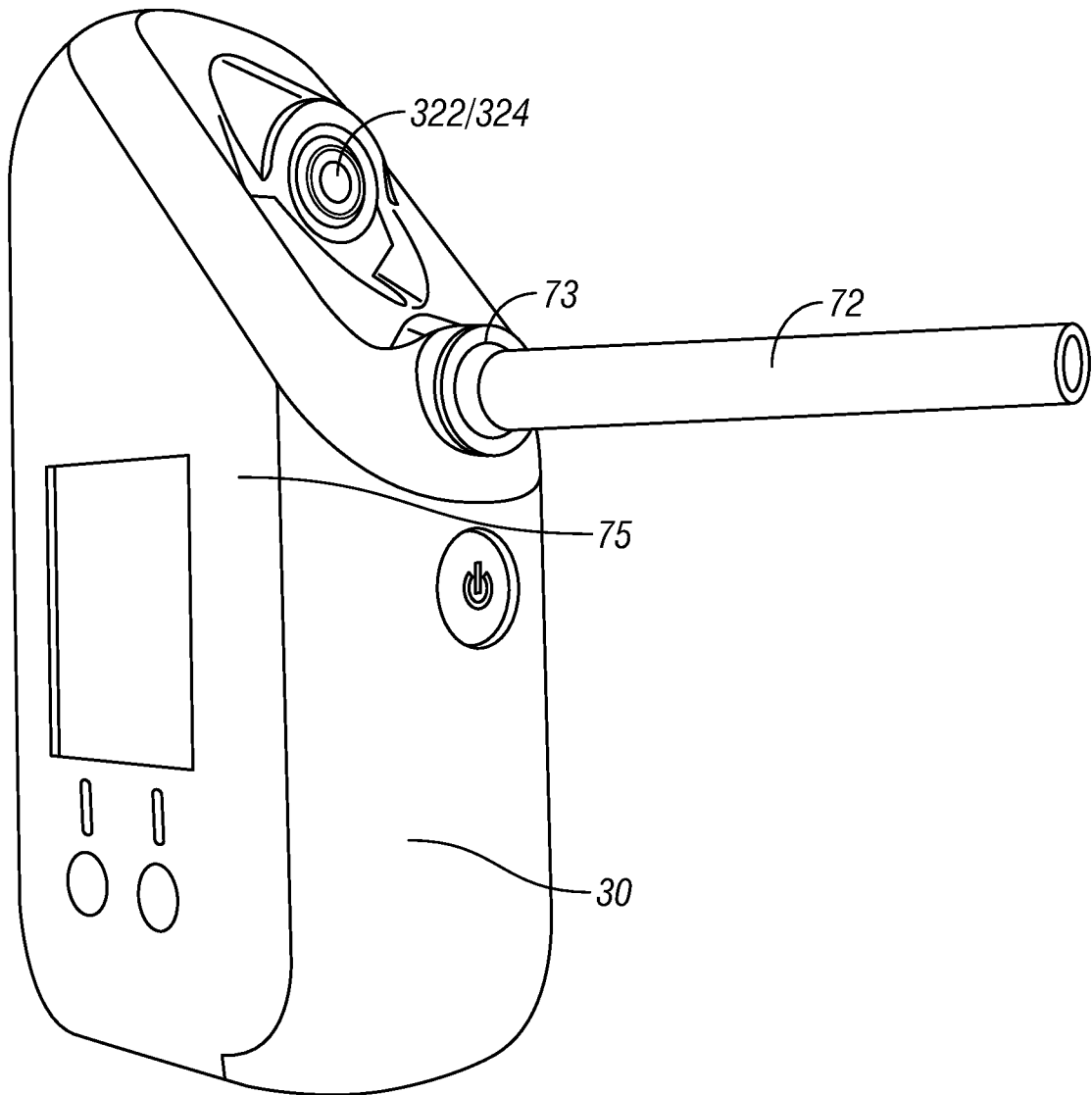


FIG. 14

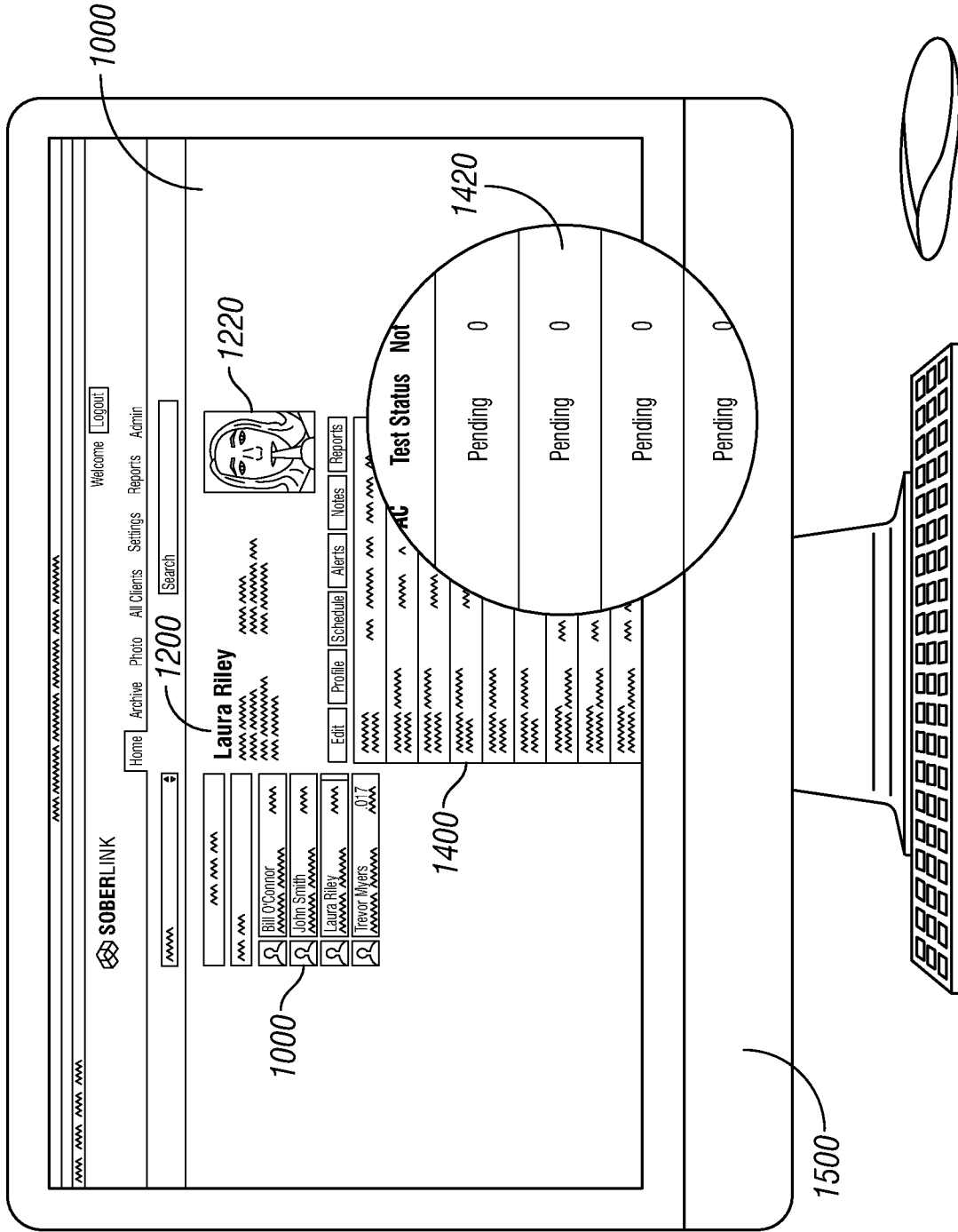


FIG. 15

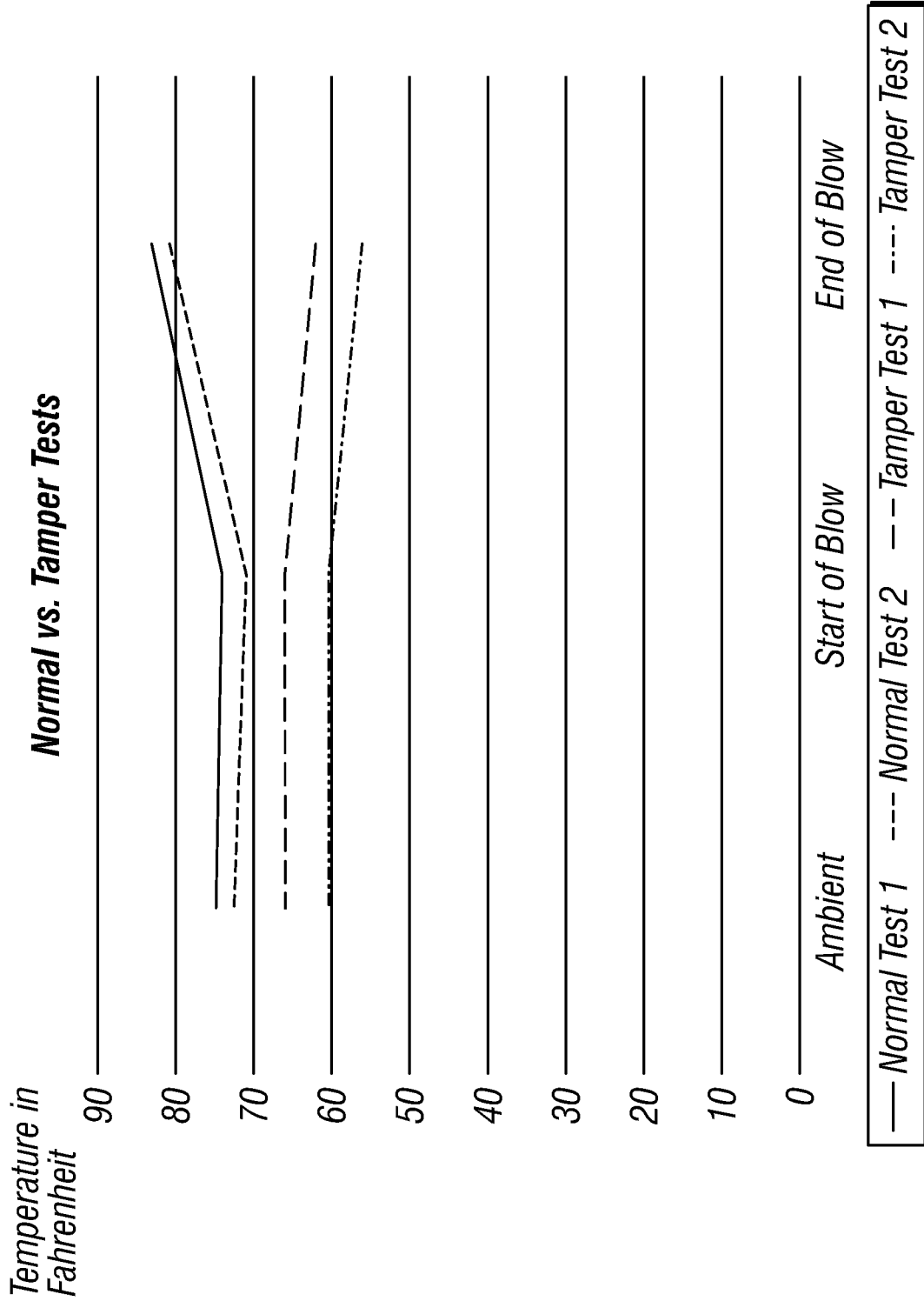


FIG. 16

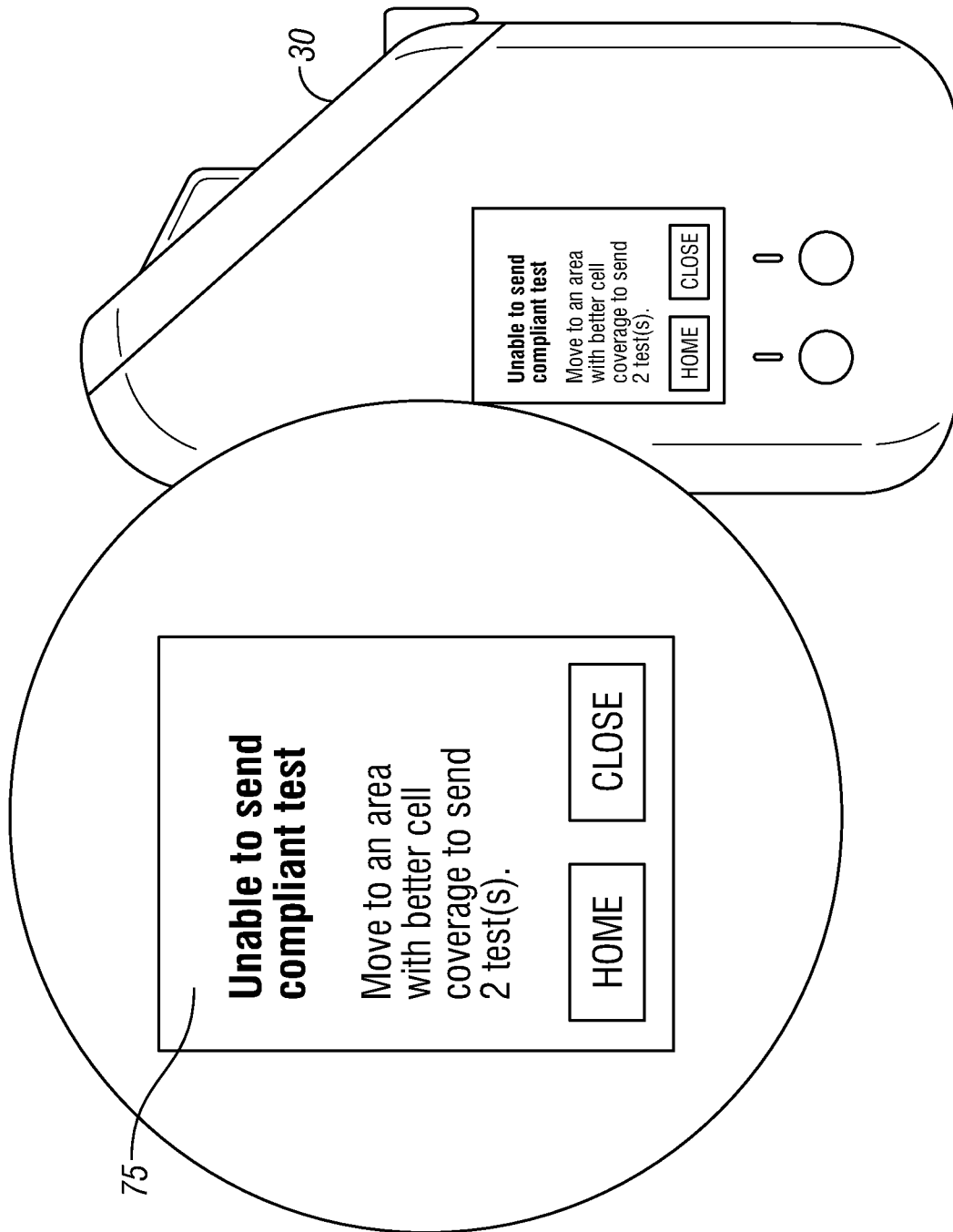


FIG. 17A

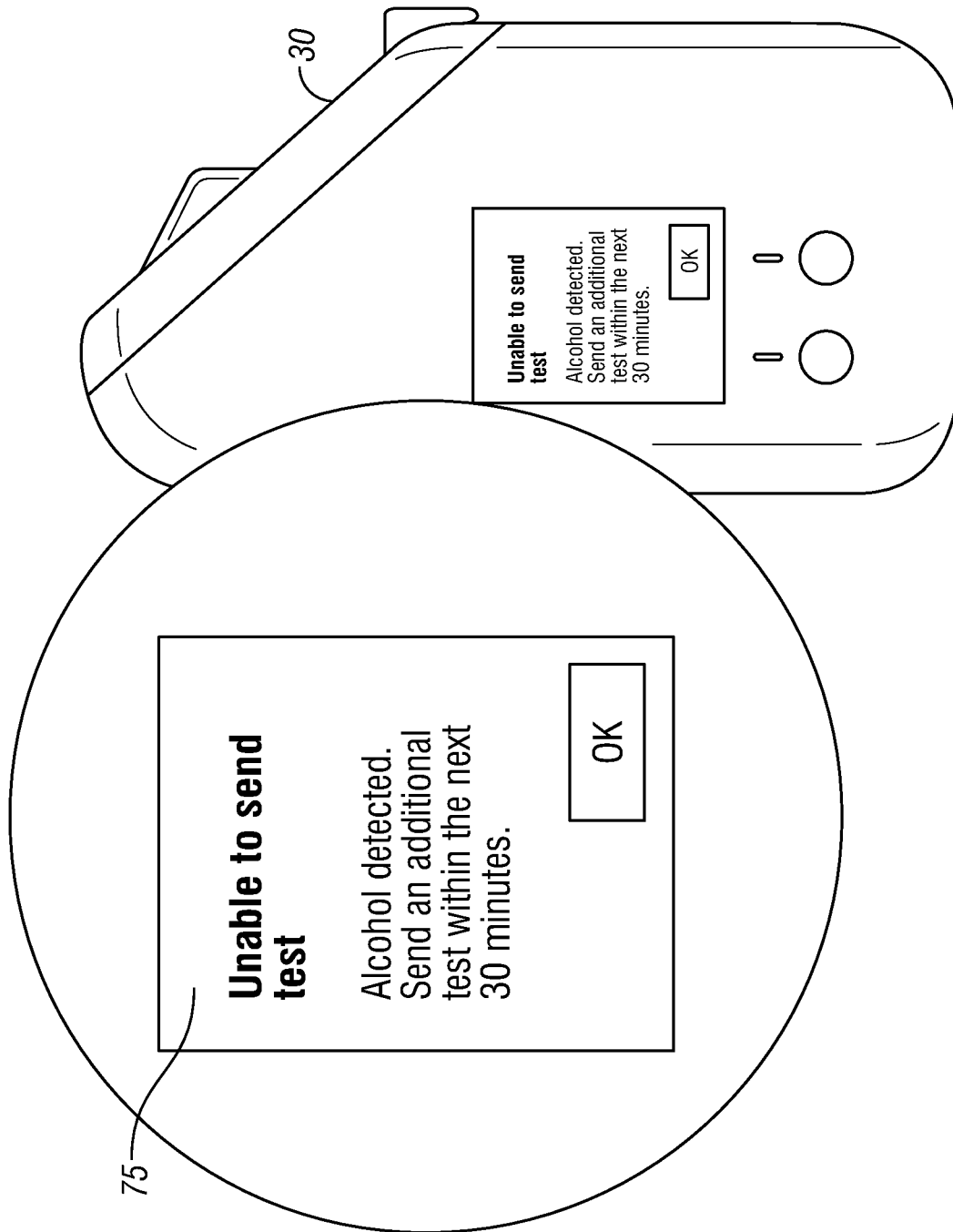


FIG. 17B

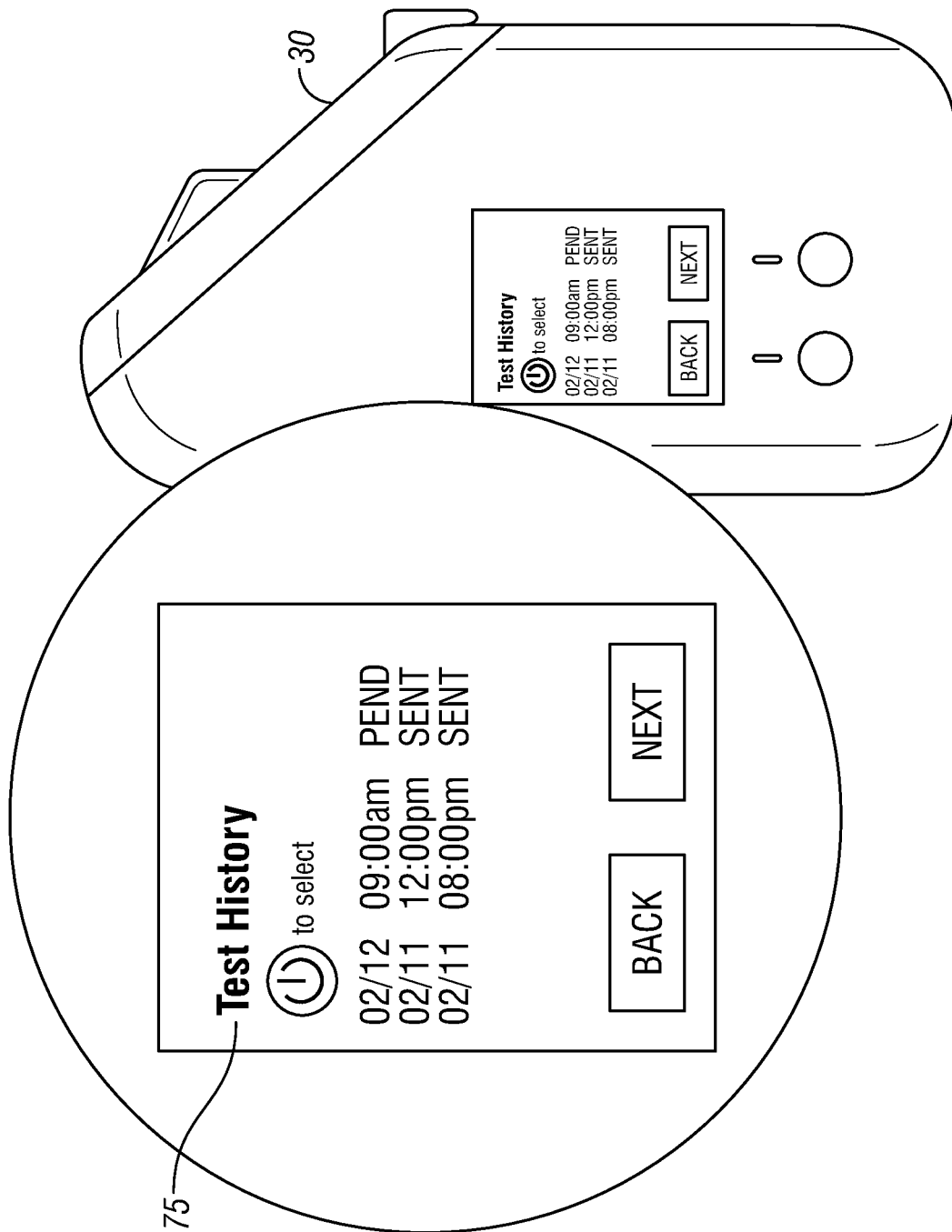


FIG. 17C

17/19

SOBERLINK CONNECTIVITY ALERT**Client Name:** John Doe**Client DOB:** 1/5/75**Note:** John Doe's device is out of cell coverage. You will be notified when the device regains connectivity.**FIG. 18A**

SOBERLINK CONNECTIVITY ALERT

Client Information

Laura Riley	DOB:	06/10/1961
101 34th Street	Sex:	Female
Newport Beach California 92640	Weight:	135
Start Date: 1/23/2014	Height:	5'4"
End Date: Active	Eye Color:	Green
Device ID: 2100198F (At time of print)	Hair Color:	Blonde

NOTE: Laura Riley's device has checked in. **4 tests** have been updated.

POSITIVE TESTS

1. 1/27/2014 4:33 PM A **Positive Test** has been recieved. (Brac of .154)
2. 1/27/2014 4:40 PM A **Compliant Secondary** has been received.

MISSED TESTS

3. 1/27/2014 4:00 PM A scheduled test has been **missed**.
4. 1/27/2014 4:40 PM A scheduled test has been **missed**.

FIG. 18B

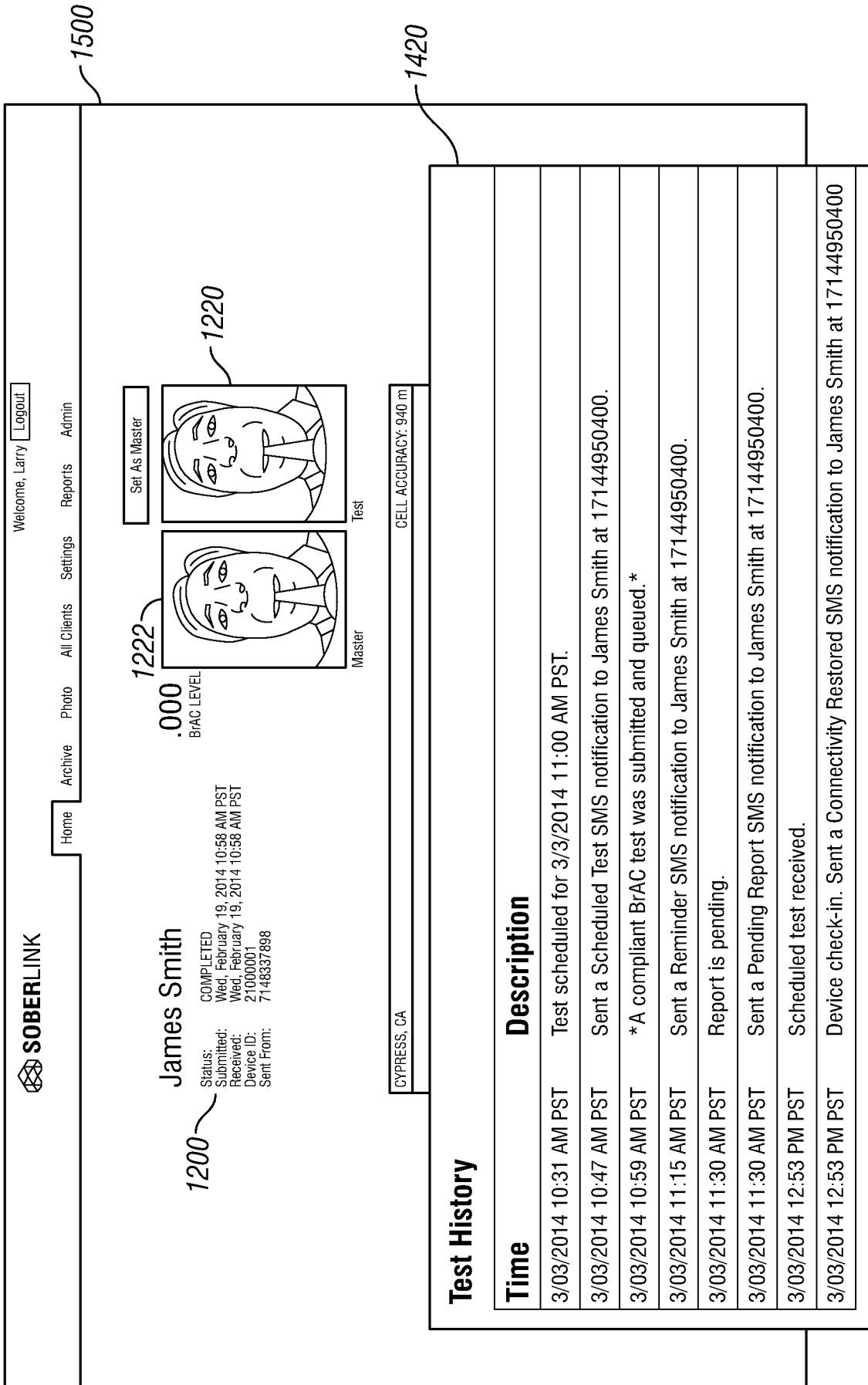


FIG. 18C

INTERNATIONAL SEARCH REPORT

International application No.

PCT/US2014/029411

<p>A. CLASSIFICATION OF SUBJECT MATTER IPC(8) - A61B 5/08 (2014.01) USPC - 600/532 According to International Patent Classification (IPC) or to both national classification and IPC</p>																				
<p>B. FIELDS SEARCHED</p> <p>Minimum documentation searched (classification system followed by classification symbols) IPC(8) - A61B 5/08, 5/087, 5/097; B60K 28/06 (2014.01) USPC - 180/272; 340/539.12; 600/532</p> <p>Documentation searched other than minimum documentation to the extent that such documents are included in the fields searched CPC - A61B 5/08, 5/0803, 5/082, 5/087, 5/097; B60K 28/06, 28/063 (2014.02)</p> <p>Electronic data base consulted during the international search (name of data base and, where practicable, search terms used) PatBase, Orbit, Google Patents, Google Scholar</p>																				
<p>C. DOCUMENTS CONSIDERED TO BE RELEVANT</p> <table border="1"> <thead> <tr> <th>Category*</th> <th>Citation of document, with indication, where appropriate, of the relevant passages</th> <th>Relevant to claim No.</th> </tr> </thead> <tbody> <tr> <td>X --- Y</td> <td>US 2013/0021153 A1 (KEYS) 24 January 2013 (24.01.2013) entire document</td> <td>1, 4-9 --- 2-3, 10-15</td> </tr> <tr> <td>Y</td> <td>US 2010/0012417 A1 (WALTER et al.) 21 January 2010 (21.01.2010) entire document</td> <td>2-3, 14-15</td> </tr> <tr> <td>Y</td> <td>US 3,437,449 A (LUCKEY) 08 April 1969 (08.04.1969) entire document</td> <td>10-13</td> </tr> <tr> <td>Y</td> <td>US 4,564,021 A (SIEGMANN et al.) 14 January 1986 (14.01.1986) entire document</td> <td>11-13</td> </tr> <tr> <td>Y</td> <td>US 2007/0016092 A1 (SHAW et al.) 18 January 2007 (18.01.2007) entire document</td> <td>11-13</td> </tr> </tbody> </table>			Category*	Citation of document, with indication, where appropriate, of the relevant passages	Relevant to claim No.	X --- Y	US 2013/0021153 A1 (KEYS) 24 January 2013 (24.01.2013) entire document	1, 4-9 --- 2-3, 10-15	Y	US 2010/0012417 A1 (WALTER et al.) 21 January 2010 (21.01.2010) entire document	2-3, 14-15	Y	US 3,437,449 A (LUCKEY) 08 April 1969 (08.04.1969) entire document	10-13	Y	US 4,564,021 A (SIEGMANN et al.) 14 January 1986 (14.01.1986) entire document	11-13	Y	US 2007/0016092 A1 (SHAW et al.) 18 January 2007 (18.01.2007) entire document	11-13
Category*	Citation of document, with indication, where appropriate, of the relevant passages	Relevant to claim No.																		
X --- Y	US 2013/0021153 A1 (KEYS) 24 January 2013 (24.01.2013) entire document	1, 4-9 --- 2-3, 10-15																		
Y	US 2010/0012417 A1 (WALTER et al.) 21 January 2010 (21.01.2010) entire document	2-3, 14-15																		
Y	US 3,437,449 A (LUCKEY) 08 April 1969 (08.04.1969) entire document	10-13																		
Y	US 4,564,021 A (SIEGMANN et al.) 14 January 1986 (14.01.1986) entire document	11-13																		
Y	US 2007/0016092 A1 (SHAW et al.) 18 January 2007 (18.01.2007) entire document	11-13																		
<p><input type="checkbox"/> Further documents are listed in the continuation of Box C. <input type="checkbox"/></p>																				
<p>* Special categories of cited documents:</p> <table border="0"> <tr> <td>"A" document defining the general state of the art which is not considered to be of particular relevance</td> <td>"T" later document published after the international filing date or priority date and not in conflict with the application but cited to understand the principle or theory underlying the invention</td> </tr> <tr> <td>"E" earlier application or patent but published on or after the international filing date</td> <td>"X" document of particular relevance; the claimed invention cannot be considered novel or cannot be considered to involve an inventive step when the document is taken alone</td> </tr> <tr> <td>"L" document which may throw doubts on priority claim(s) or which is cited to establish the publication date of another citation or other special reason (as specified)</td> <td>"Y" document of particular relevance; the claimed invention cannot be considered to involve an inventive step when the document is combined with one or more other such documents, such combination being obvious to a person skilled in the art</td> </tr> <tr> <td>"O" document referring to an oral disclosure, use, exhibition or other means</td> <td>"&" document member of the same patent family</td> </tr> <tr> <td>"P" document published prior to the international filing date but later than the priority date claimed</td> <td></td> </tr> </table>			"A" document defining the general state of the art which is not considered to be of particular relevance	"T" later document published after the international filing date or priority date and not in conflict with the application but cited to understand the principle or theory underlying the invention	"E" earlier application or patent but published on or after the international filing date	"X" document of particular relevance; the claimed invention cannot be considered novel or cannot be considered to involve an inventive step when the document is taken alone	"L" document which may throw doubts on priority claim(s) or which is cited to establish the publication date of another citation or other special reason (as specified)	"Y" document of particular relevance; the claimed invention cannot be considered to involve an inventive step when the document is combined with one or more other such documents, such combination being obvious to a person skilled in the art	"O" document referring to an oral disclosure, use, exhibition or other means	"&" document member of the same patent family	"P" document published prior to the international filing date but later than the priority date claimed									
"A" document defining the general state of the art which is not considered to be of particular relevance	"T" later document published after the international filing date or priority date and not in conflict with the application but cited to understand the principle or theory underlying the invention																			
"E" earlier application or patent but published on or after the international filing date	"X" document of particular relevance; the claimed invention cannot be considered novel or cannot be considered to involve an inventive step when the document is taken alone																			
"L" document which may throw doubts on priority claim(s) or which is cited to establish the publication date of another citation or other special reason (as specified)	"Y" document of particular relevance; the claimed invention cannot be considered to involve an inventive step when the document is combined with one or more other such documents, such combination being obvious to a person skilled in the art																			
"O" document referring to an oral disclosure, use, exhibition or other means	"&" document member of the same patent family																			
"P" document published prior to the international filing date but later than the priority date claimed																				
<p>Date of the actual completion of the international search 02 July 2014</p>		<p>Date of mailing of the international search report 28 JUL 2014</p>																		
<p>Name and mailing address of the ISA/US Mail Stop PCT, Attn: ISA/US, Commissioner for Patents P.O. Box 1450, Alexandria, Virginia 22313-1450 Facsimile No. 571-273-3201</p>		<p>Authorized officer: Blaine R. Copenheaver PCT Helpdesk: 571-272-4300 PCT OSP: 571-272-7774</p>																		

专利名称(译)	清醒监控系统		
公开(公告)号	EP2967435A4	公开(公告)日	2016-11-30
申请号	EP2014765676	申请日	2014-03-14
[标]申请(专利权)人(译)	SOBERLINK		
申请(专利权)人(译)	SOBERLINK INC.		
当前申请(专利权)人(译)	soberlink Inc.		
[标]发明人	KEAYS BRAD ROTHMAN ANDREW HANRAHAN CASEY PURSLEY CHRISTOPHER J RHODES DANIEL		
发明人	KEAYS, BRAD ROTHMAN, ANDREW HANRAHAN, CASEY PURSLEY, CHRISTOPHER J. RHODES, DANIEL		
IPC分类号	A61B5/08 A61B5/00 A61B5/097 B60K28/06 G01N33/497		
CPC分类号	A61B5/4845 A61B5/0002 A61B5/0022 A61B5/082 A61B5/097 A61B5/1176 A61B2010/0009 A61B2010/0087 A61B2560/0431 B01L3/50 B01L2200/141 B01L2300/021 B01L2300/023 B01L2300/0654 B01L2300/0663 B60K28/063 G01N33/497 G01N33/4972 G01N33/98		
优先权	61/799372 2013-03-15 US		
其他公开文献	EP2967435A1		
外部链接	Espacenet		

摘要(译)

一种使用手持呼吸测试装置监测清醒的系统和方法，其在接收到用户呼吸时生成包括物质内容数据和用户识别数据的呼吸测试信号，并将呼吸测试信号无线传输到呼吸测试信号接收站。