

(19) World Intellectual Property Organization  
International Bureau



(43) International Publication Date  
9 October 2003 (09.10.2003)

PCT

(10) International Publication Number  
WO 03/082094 A1

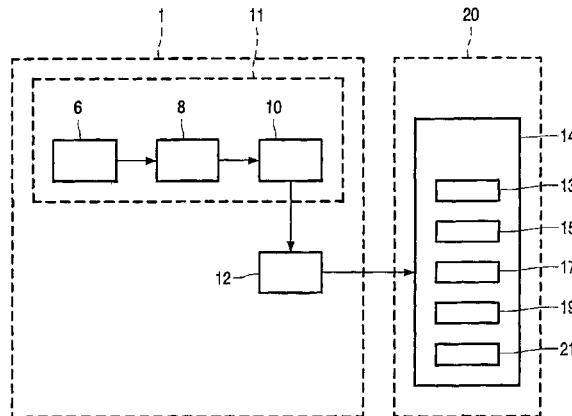
- (51) International Patent Classification<sup>7</sup>: A61B 5/00
- (21) International Application Number: PCT/IB03/00854
- (22) International Filing Date: 7 March 2003 (07.03.2003)
- (25) Filing Language: English
- (26) Publication Language: English
- (30) Priority Data:  
02076228.2 29 March 2002 (29.03.2002) EP
- (71) Applicant (for all designated States except DE, US):  
**KONINKLIJKE PHILIPS ELECTRONICS N.V.**  
[NL/NL]; Groenewoudseweg 1, NL-5621 BA Eindhoven (NL).
- (71) Applicant (for DE only): **PHILIPS INTELLECTUAL PROPERTY & STANDARDS GMBH** [DE/DE]; Stein-  
damm 94, 20099 Hamburg (DE).
- (72) Inventors; and
- (75) Inventors/Applicants (for US only): **VOGTMEIER, Gereon** [DE/DE]; c/o Prof . Holstlaan 6, NL-5656 AA Eindhoven (NL). **REITER, Harald** [DE/DE]; c/o Prof . Holstlaan 6, NL-5656 AA Eindhoven (NL). **LAUTER,**

**Josef** [DE/DE]; c/o Prof . Holstlaan 6, NL-5656 AA Eindhoven (NL). **SUCH, Olaf** [DE/DE]; c/o Prof . Holstlaan 6, NL-5656 AA Eindhoven (NL). **REICHINGER, Christian** [DE/DE]; c/o Prof . Holstlaan 6, NL-5656 AA Eindhoven (NL). **SCHMIDT, Ralf** [DE/DE]; c/o Prof . Holstlaan 6, NL-5656 AA Eindhoven (NL).

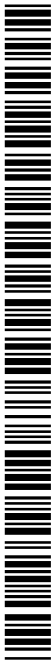
- (74) Agent: **SCHOUTEN, Marcus, M.**; Internationaal Octrooibureau B.V., Prof. Holstlaan 6, NL-5656 AA Eindhoven (NL).
- (81) Designated States (national): AE, AG, AL, AM, AT, AU, AZ, BA, BB, BG, BR, BY, BZ, CA, CH, CN, CO, CR, CU, CZ, DE, DK, DM, DZ, EC, EE, ES, FI, GB, GD, GE, GH, GM, HR, HU, ID, IL, IN, IS, JP, KE, KG, KP, KR, KZ, LC, LK, LR, LS, LT, LU, LV, MA, MD, MG, MK, MN, MW, MX, MZ, NO, NZ, OM, PH, PL, PT, RO, RU, SC, SD, SE, SG, SK, SL, TJ, TM, TN, TR, TT, TZ, UA, UG, US, UZ, VC, VN, YU, ZA, ZM, ZW.
- (84) Designated States (regional): ARIPO patent (GH, GM, KE, LS, MW, MZ, SD, SL, SZ, TZ, UG, ZM, ZW), Eurasian patent (AM, AZ, BY, KG, KZ, MD, RU, TJ, TM), European patent (AT, BE, BG, CH, CY, CZ, DE, DK, EE, ES, FI, FR, GB, GR, HU, IE, IT, LU, MC, NL, PT, SE, SI, SK, TR), OAPI patent (BF, BJ, CF, CG, CI, CM, GA, GN, GQ, GW, ML, MR, NE, SN, TD, TG).

[Continued on next page]

(54) Title: A RESPONSE AND LOCATING SYSTEM AND A POSITION INDICATION MARKER DEVICE



(57) Abstract: The invention relates to a response system for detecting, locating and responding to a person in an abnormal physiological condition, said system comprising positioning means (12) arranged to provide an information about an actual location of the person and monitoring means (11) arranged to monitor an abnormality in the physiological condition of the person, said monitoring means comprising a sensor (6) to acquire a signal related to a physiological condition of the patient, a processor (8) to process the acquired signal in order to establish where the abnormal condition has occurred, said processor being arranged to produce a trigger signal to generate an alarm, an alarm generating means (10) arranged to generate the alarm upon a receipt of the trigger signal, said alarm generating means being further arranged to provide an indication of a location of the person said indication of the location being provided by a positioning means (12). In order to provide a valid position information of the user in case of an emergency the system comprises further a position indication marker (PIM) device (14) arranged to store the valid position information in a storage unit (13). The PIM device is arranged to download the position information as a co-ordinate, address or any other suitable description of the position of the user and to transmit said information to the monitoring means in case of the emergency.



WO 03/082094 A1



**Published:**

— with international search report

*For two-letter codes and other abbreviations, refer to the "Guidance Notes on Codes and Abbreviations" appearing at the beginning of each regular issue of the PCT Gazette.*

A response and locating system and a position indication marker device

The invention relates to a response system for detecting, locating and responding to a person in an abnormal physiological condition, said system comprising positioning means arranged to provide an information about an actual location of the person and monitoring means arranged to monitor an abnormality in the physiological condition of the person, said monitoring means comprising a sensor to acquire a signal related to a physiological condition of the patient, a processor to process the acquired signal in order to establish where the abnormal condition has occurred, said processor being arranged to produce a trigger signal to generate an alarm, an alarm generating means arranged to generate the alarm upon a receipt of the trigger signal, said alarm generating means being further arranged to provide an indication of a location of the person said indication of the location being provided by a positioning means.

The invention further relates to a portable position indication marker device.

A response and locating system is known from US 6,292,687. The known system is arranged to activate a personal alarm upon an event of a medical emergency, for example a cardiac arrest. The known system comprises monitoring means for detecting the medical emergency together with positioning means arranged to provide an information upon an actual location of the victim to remotely located medical personnel. The latter is achieved in the known system by means of localization signals. In the known system the localization signals include signals from a global positioning system or other signals deduced from an established local network of position localizers. Such position localizers may be implemented as a set of transmitters with known co-ordinates or location, arranged in public places, like hotel rooms or airport halls.

The known system has a disadvantage in that it provides the position information only in cases a connection to the global positioning system is not interrupted or in cases when an interior of buildings is equipped with a network of position localizers.

It is an object of the invention to provide a response system, which provides an accurate position information even in cases no connection to remotely set-up localizers is possible.

The response system according to the invention is characterized in that the system further comprises a portable position indication marker (PIM) device, the positioning means being arranged to communicate to the PIM device, said PIM device comprising a storage unit to store a position information and transmitting means to transmit the position information to the positioning means. According to the technical measure of the invention the response system is equipped with a position indication marker (PIM) device is arranged to store the position information in form of an actual address, or a latitude-, longitude-, height- information or in another form of unambiguous description. The PIM device is portably arranged and can be worn by a patient together with the response system. For example, in case a patient is suffering from a heart failure, the response system comprises heart monitoring means arranged to monitor a heart function, which are arranged to transmit an alarm together with the position information. The position information is acquired by the positioning means from the PIM device, where it is stored or pre-stored. Thus, the response system can always provide an up-to date information upon the location of the patient, even for locations, where a global positioning system (GPS) or any other satellite navigation system is not reachable and where no infrastructure of terrestrial localizers is installed. Next to the above, the system according to the invention has the advantage that by using the PIM device a reduced power consumption by the system is achieved by switching off a satellite reception in case the pre-stored PIM information is sufficient. Further, the localization by means of PIM can be more accurate than the information provided by means of a satellite navigation system, especially if a full address is used as the position information. For example, if a person stays at home, office or at friends with a known address there is no need to use the satellite navigation system to calculate his dwell position.

An embodiment of the system according to the invention is characterized in that the position indication marker device is arranged to download the position information from a satellite navigation system by means of an interface. In case the response system has detected the abnormality in the physiological condition of the person, it will search for a position identification. In case the person is outside his home or another known dwelling, the positioning means address the PIM device and the PIM device forwards a co-ordinate request to the satellite navigation system, for example a GPS or any other satellite navigation system. Upon the receipt of the co-ordinates from, for example, the GPS, the PIM device transmits

the co-ordinates to the positioning means. Both connections can be carried out by means of a wire-less connection. It is also possible that the PIM device is integrated in a mobile station comprising both a satellite interface and a GSM electronics. In this case the user has a limited number of devices on him, which ensures better privacy and user-friendliness of the system as a whole. The PIM device can be further arranged to automatically store the last position known from the satellite navigation system before the connection to said system is interrupted and to use this last position further as a last valid position information for the positioning means.

An embodiment of the system according to the invention is characterized in that the position indication marker device is further arranged to download the position information from a terrestrial positioning system. In cases no satellite signal can be found, the patient can still be in an area with a pre-installed network of terrestrial position localizers, such as a system of RF transmitters or beacons in airport halls or other appropriately arranged public places. In this case the PIM device contacts the transmitters of the local network, picks up an appropriate signal identifying the position and further makes it available as an appropriate signal to the positioning means. For this purpose the PIM device is arranged to comply with broadcasting formats conventionally used by such local network of transmitters. The advantage of this technical measure is that the user does not have to manually program the position information in the PIM device while entering the areas which have an installed network of terrestrial position localizers.

An embodiment of the system according to the invention is characterized in that the position indication marker device is further arranged to download the position information from a pre-set table of dwell positions stored in the storage unit. The storage unit can be a conventional programmable memory block, where the user can put an alpha-numerical information describing his dwelling, for example by means of a keyboard. In case the user is frequenting a certain dwell positions, like office, theatre, friends, etc, the actual dwell position can be chosen from a pre-set table stored in the storage unit. This offers a convenient tool for the user to register his position. It is also possible that the PIM device is arranged to make a PC connection, so that a list of dwell positions can be downloaded instantly from a database. Also, the PIM device can be arranged to communicate to a Personal Digital Agenda (PDA) or any like system and to store and update the position information of the user in the storage unit based on the PDA inputs. In case of an emergency, the PDA-inputs can be used to provide position information, which is especially

advantageous if no further information about the position of the user is available. This improves the user-friendliness of the system even further.

The portable position indication marker (PIM) device according to the invention is characterized in that said device comprises a position deriving means arranged to  
5 derive the position information, a storage unit to store the position information, an identification unit arranged to respond to a linked-up positioning system and a transmitter to transmit the position information to the linked-up positioning system. Such a PIM device can be used as a stand-alone system in areas where no connection to a satellite navigation system can be established. If a positioning system of any kind is searching for a location co-ordinate,  
10 it can link-up to the PIM device and download the pre-set co-ordinate or address information. Such a PIM can be preferably used in large conference halls or at mega-cinemas, for example. The stand-alone PIM can be arranged with a keyboard and display in order for a user to be able to introduce new information or to edit the present information. Alternatively, the PIM device can be arranged with a chip-reader, where a position programming takes  
15 place by means of programming an insertable chip into the PIM device. Optionally, such a PIM device can be equipped with a display to control the input information. These and other aspects of the invention will be discussed with reference to the attached figures.

20

Fig. 1 shows a schematic view of an embodiment of the response system architecture in case the user is located outside.

Fig. 2 shows schematically an embodiment of the components of the user-side of the system according to the invention.

25

Fig. 3 shows schematically an embodiment of the position indication marker (PIM) device according to the invention.

Fig. 4 shows schematically an embodiment of the PIM device 14 provided with a user interface to input a pre-known position information.

30

Fig. 1 shows a schematic view of an embodiment of the response system architecture according to the invention in case the user is located outdoors. The user U is provided with a detection and alarm system 10 comprising a user-side 1 and a non-user side 2'. The user-side 1 comprises monitoring means and positioning means [both not shown].

The user-side 1 of the system 10 is arranged to transmit an alarm signal A together with position information, preferably via a RF-link to the non-user side 2' of the system. The non-user side 2' comprises a mobile station 2' arranged to pick-up the alarm signal A and the position information and to forward them to a remote service center 3 by means of a wireless connection. An example of a suitable transmitting technology is GSM for the mobile station. The remote service center 3 is arranged to handle the medical emergency, for example by forwarding the alarm signal to a public emergency center 4.

Fig. 2 shows schematically an embodiment of the components of the response system according to the invention. The user-side 1 comprises monitoring means 11 arranged to monitor an abnormality in the physiological condition of the user. The monitoring means 11 comprise a set of electrodes 6 arranged on the body of the user to pick-up a signal characteristic to the physiological signal, for example an ECG signal, a body temperature, respiration rate, encephalogram, etc. Additionally, the monitoring means 11 can comprise another sensor [not shown] arranged to monitor a signal not directly related with a targeted physiological condition. An example of such a sensor is a motion sensor, or a blood pressure sensor. The user side 1 further comprises positioning means 12 arranged to provide an information about the actual location of the person being monitored. The electrodes 6 are arranged to provide the signal to the processor 8 of the monitoring means 11 of the system 1. The processor 8 is arranged to generate a trigger signal in case an abnormality in the condition being monitored is detected. The trigger signal is then forwarded by the processor 8 to the alarm generation means 10. The alarm generating means 10 address the positioning means 12 in order to acquire the actual position of the person. The positioning means 12 are arranged to communicate to a portable position indication marker (PIM) device 14 in order to acquire the actual position of the person. In its most simple embodiment the PIM device 14 comprises a storage unit 13 arranged to store the position information, and a transmitter unit 15 to transmit the position information to the positioning means 12, preferably on request, and a micro-processor 19. Such an implementation of the PIM device suffices in situations when the dwell position of the person is known and is not being changed for some time, for instance when a person is at his friends, at cinema, at his office or at other locations with a reasonable dwell time. The information about the actual dwell position is thus pre-known and can be pre-stored in the storage unit 13 of the PIM device 14. When the person arrives at one of such pre-stored locations, its co-ordinate or an address can be selected in the PIM and can be made available as an appropriate signal to the positioning means 12.

Additionally, in case the person is changing his dwell position, the PIM device 14 can comprise an interface 17 to a satellite navigation system, for example a global positioning system (GPS) or any other system providing position information, for example GSM, UMTS, etc. in order to update the position of the person. In case the abnormality in the physiological condition does occur while the person is changing his dwell position, the positioning means 12 link-up to the PIM device which supplies the actual position information obtained via the GPS interface 17.

To cover for situations, when the person is changing his dwell position from a mobile outside position with a working GPS reception to an in-door position with no GPS reception, the micro-processor 19 stores the last actual GPS co-ordinate before the transmission was interrupted as an actual position information in the storage unit 13. This can be technically implemented, for example by providing a 'store'-button on the PIM device, so that the user can store the last known GPS position in the storage unit as the actual position information. In case a building is provided with a network of terrestrial localizers, the PIM device 14 initiates a beacon receipt unit 21 to communicate with the beacons sent-out by the network of terrestrial localizers. It is also possible that the unit 21 is arranged to communicate to terrestrial RF-signals, like GSM networks. Alternatively, both functions can also be integrated in the interface 17. In both cases the dwell position of the person inside the building will be updated and will be used as the position information for the positioning means in case of an emergency.

For the convenience of the user the PIM device 14 can be integrated in a mobile telephone 20. In this case the number of separate devices to be kept by the user is minimized.

Fig. 3 shows schematically an embodiment of the position indication marker (PIM) device according to the invention. The PIM device 14 comprises a storage unit 31 arranged, for example as a programmable memory to store the position information, an identification unit 33 arranged to identify and to respond to a positioning system attempting to link to the PIM device, position deriving means 35 arranged to derive the actual position of the user and a transmitter 37 arranged to transmit the derived position information to the linked-up positioning system. The PIM device further comprises a micro-processor 38 arranged to control the operation of the PIM device as a whole. In case the identification unit 33 recognizes a positioning system attempting to link-up to the PIM device 14, the micro-processor 38 sends an appropriate signal to the position deriving means with a request of a valid actual position of the user. There are several operational scenarios possible. First, in

case the user is located within a dwelling with a known address or co-ordinate stored in the storage unit 31, the position information is retrieved from the storage unit 31 by the position deriving means 35 and is transmitted by the transmitter unit 37 in a form of an appropriate signal to the linked-up positioning system. Secondly, in case the user is mobile with a not known dwell position, the position deriving means 35 attempt to link to an outside positioning system, for example by means of a satellite interface [not shown] or an interface to a network of installed terrestrial localizers [not shown] in case no satellite signal can be received. The actual position information retrieved from one of the above interfaces is then transmitted by the transmitter unit 37 in a form of an appropriate signal to the linked-up positioning system. Finally, in case the user is outside a known dwelling and no contact can be made to an external positioning system, the PIM device can address the position information which is made available to the PIM by the user himself by means of the user interface. This function is explained in more detail with reference to fig. 4.

Fig. 4 shows schematically an embodiment of the PIM device 14 provided with a user interface to input a pre-known position information. The PIM device 14 comprises next to the units discussed with reference to Fig. 3 a user interface 39 comprising input means 40 to input alpha-numerical information. For example, the user can manually input addresses or co-ordinates in a table describing possible dwellings. An example of the input means 40 is an interface to a personal computer comprising a database of position information. Alternatively, the input means can be arranged to be operated by a voice control or via an SMS interface. After programming is accomplished, one dwell position can be chosen by the user via the user interface, said position being later made available to the positioning system by the transmitter unit in case of an emergency.

Thus, the PIM device being a portable apparatus constitutes reliable means to provide an unambiguous information about the position of the user on request. The operation of the PIM device according to the invention is independent of the access to external localizers resulting in a possibility to provide an accurate information about the location of the user anytime anywhere. Due to the programmable memory of the PIM device it is possible to implement the device with different possible levels of functionality ranging from a simple chip-card operated device for identifying a single location, to an elaborate device comprising interfaces to databases to download a plurality of possible dwell positions of the user and/or interfaces to external systems of localizers. Due to the PIM device the person suffering from a life-threatening condition can be found faster resulting in an increased chance for his survival.

## CLAIMS:

1. A response system for detecting, locating and responding to a person in an abnormal physiological condition, said system comprising positioning means arranged to provide an information about an actual location of the person and monitoring means arranged to monitor an abnormality in the physiological condition of the person, said monitoring means comprising:
- 5
- a sensor to acquire a signal related to a physiological condition of the patient;
  - a processor to process the acquired signal in order to establish where the abnormal condition has occurred, said processor being arranged to produce a trigger signal to generate an alarm;
- 10
- an alarm generating means arranged to generate the alarm upon a receipt of the trigger signal, said alarm generating means being further arranged to provide an indication of a location of the person said indication of the location being provided by the positioning means,
- 15
- characterized in that the system further comprises a portable position indication marker (PIM) device, the positioning means being arranged to communicate to the PIM device, said PIM device comprising a storage unit to store a position information and transmitting means to transmit the position information to the positioning means.
2. A system according to claim 1, characterized in that the position indication marker device comprises an interface arranged to download the position information from a
- 20
- satellite navigation system.
3. A system according to claim 1 or 2, characterized in that the position indication marker device is further arranged to download the position information from a
- 25
- terrestrial positioning signal.
4. A system according to any of the preceding claims, characterized in that the position indication marker device is further arranged to download the position information from a pre-set table of dwell positions stored in the storage unit.

5. A system according to claim 2, characterized in that the position indication marker device comprises a micro-processor arranged to validate said interface, said micro-processor being arranged to store the last co-ordinates upon an event of a broken contact with the satellite navigation system.
6. A system according to any of the preceding claims, characterized in that the abnormal physiological condition is a cardiac arrest.
7. A portable position indication marker device (PIM), suitable for use in the system as claimed in Claim 1, characterized in that said device comprises a position deriving means arranged to derive the position information, a storage unit to store the position information, an identification unit arranged to respond to a linked-up positioning system and a transmitter to transmit the position information to the linked-up positioning system.
8. A portable position indication marker device, as claimed in Claim 7, characterized in that the position deriving means comprise an interface arranged to download the position information from a satellite navigation system.
9. A portable position indication marker device, as claimed in Claim 7, characterized in that the position deriving means are arranged to download the position information from a terrestrial positioning system.
10. A portable position indication marker device, as claimed in Claim 7, characterized in that the position deriving means are arranged to download the position information from a pre-set table of dwell positions stored in the storage unit.
11. A portable position indication marker device, as claimed in Claim 7, characterized in that the position deriving means are arranged to read-out a pre-stored position information from a chip-card.
12. A position indication marker according to any one of the preceding Claims 7 to 11, characterized in that said device is programmable by means of a user interface.

1/2

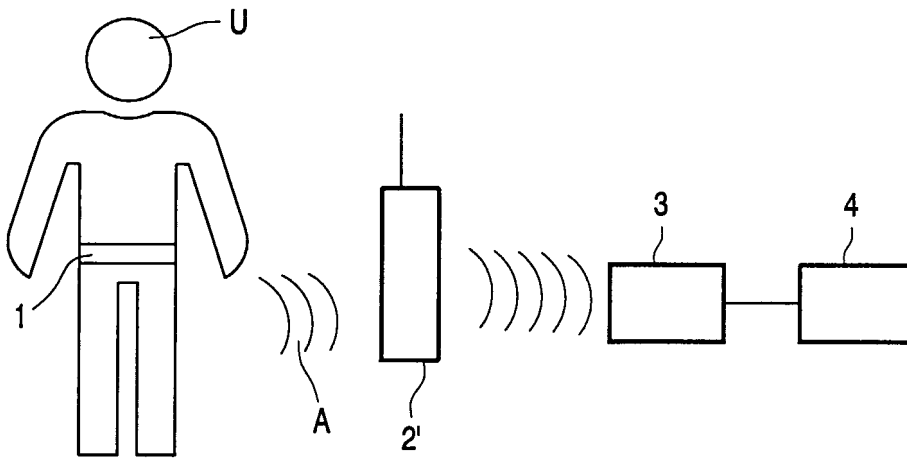


FIG. 1

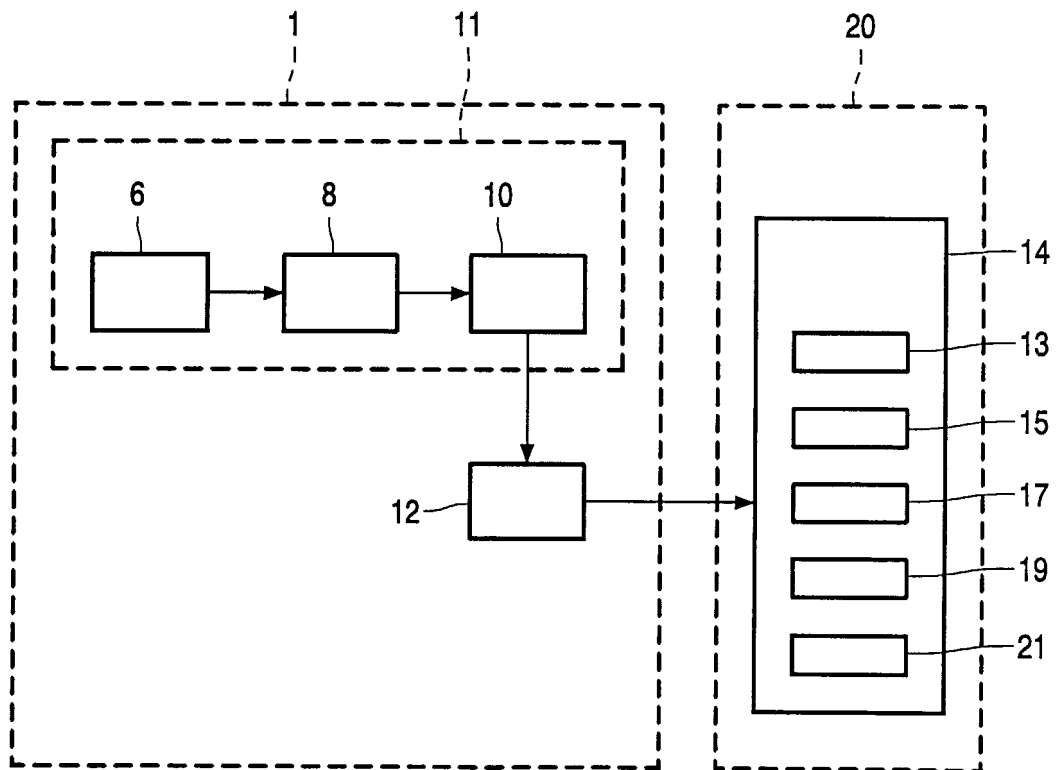


FIG. 2

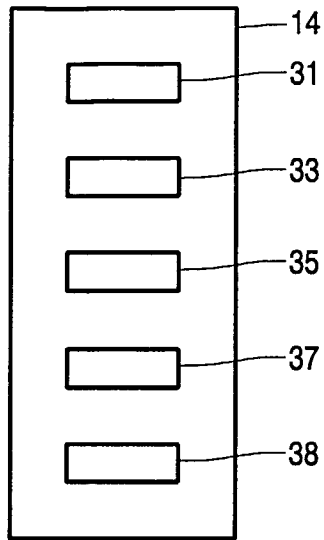


FIG. 3

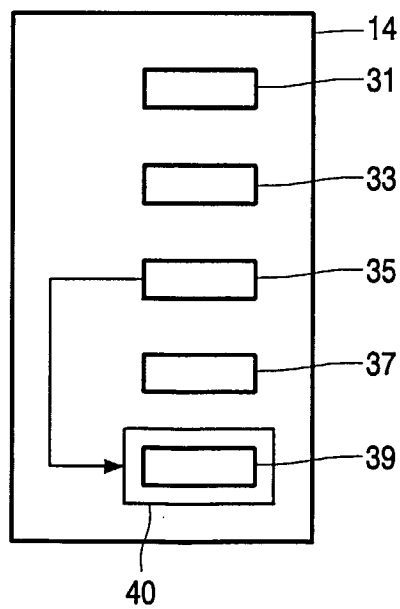


FIG. 4

# INTERNATIONAL SEARCH REPORT

PCT/IB 03/00854

<b>A. CLASSIFICATION OF SUBJECT MATTER</b> IPC 7 A61B5/00				
According to International Patent Classification (IPC) or to both national classification and IPC				
<b>B. FIELDS SEARCHED</b>				
Minimum documentation searched (classification system followed by classification symbols) IPC 7 A61B G01S				
Documentation searched other than minimum documentation to the extent that such documents are included in the fields searched				
Electronic data base consulted during the international search (name of data base and, where practical, search terms used) EPO-Internal, WPI Data				
<b>C. DOCUMENTS CONSIDERED TO BE RELEVANT</b>				
Category °	Citation of document, with indication, where appropriate, of the relevant passages	Relevant to claim No.		
X	DE 44 41 907 A (HEWLETT PACKARD CO) 22 June 1995 (1995-06-22)	1-6		
Y	column 1, line 19 -column 1, line 23 column 3, line 16 -column 3, line 27 column 3, line 50 -column 4, line 25 column 5, line 40 -column 5, line 63 column 6, line 36 -column 6, line 40 column 6, line 55 -column 6, line 63 column 8, line 16 -column 8, line 35 column 8, line 48 -column 8, line 61 column 9, line 33 -column 9, line 58 figures 1,2 --- -/--	7-12		
<table style="width: 100%; border: none;"> <tr> <td style="width: 50%; border: none;"> <input checked="" type="checkbox"/> Further documents are listed in the continuation of box C.                 </td> <td style="width: 50%; border: none;"> <input checked="" type="checkbox"/> Patent family members are listed in annex.                 </td> </tr> </table>			<input checked="" type="checkbox"/> Further documents are listed in the continuation of box C.	<input checked="" type="checkbox"/> Patent family members are listed in annex.
<input checked="" type="checkbox"/> Further documents are listed in the continuation of box C.	<input checked="" type="checkbox"/> Patent family members are listed in annex.			
° Special categories of cited documents :				
<table style="width: 100%; border: none;"> <tr> <td style="width: 50%; border: none;">                     *A* document defining the general state of the art which is not considered to be of particular relevance                      *E* earlier document but published on or after the international filing date                      *L* document which may throw doubts on priority claim(s) or which is cited to establish the publication date of another citation or other special reason (as specified)                      *O* document referring to an oral disclosure, use, exhibition or other means                      *P* document published prior to the international filing date but later than the priority date claimed                 </td> <td style="width: 50%; border: none;">                     *T* later document published after the international filing date or priority date and not in conflict with the application but cited to understand the principle or theory underlying the invention                      *X* document of particular relevance; the claimed invention cannot be considered novel or cannot be considered to involve an inventive step when the document is taken alone                      *Y* document of particular relevance; the claimed invention cannot be considered to involve an inventive step when the document is combined with one or more other such documents, such combination being obvious to a person skilled in the art.                      *&amp;* document member of the same patent family                 </td> </tr> </table>			*A* document defining the general state of the art which is not considered to be of particular relevance *E* earlier document but published on or after the international filing date *L* document which may throw doubts on priority claim(s) or which is cited to establish the publication date of another citation or other special reason (as specified) *O* document referring to an oral disclosure, use, exhibition or other means *P* document published prior to the international filing date but later than the priority date claimed	*T* later document published after the international filing date or priority date and not in conflict with the application but cited to understand the principle or theory underlying the invention *X* document of particular relevance; the claimed invention cannot be considered novel or cannot be considered to involve an inventive step when the document is taken alone *Y* document of particular relevance; the claimed invention cannot be considered to involve an inventive step when the document is combined with one or more other such documents, such combination being obvious to a person skilled in the art. *&* document member of the same patent family
*A* document defining the general state of the art which is not considered to be of particular relevance *E* earlier document but published on or after the international filing date *L* document which may throw doubts on priority claim(s) or which is cited to establish the publication date of another citation or other special reason (as specified) *O* document referring to an oral disclosure, use, exhibition or other means *P* document published prior to the international filing date but later than the priority date claimed	*T* later document published after the international filing date or priority date and not in conflict with the application but cited to understand the principle or theory underlying the invention *X* document of particular relevance; the claimed invention cannot be considered novel or cannot be considered to involve an inventive step when the document is taken alone *Y* document of particular relevance; the claimed invention cannot be considered to involve an inventive step when the document is combined with one or more other such documents, such combination being obvious to a person skilled in the art. *&* document member of the same patent family			
Date of the actual completion of the international search	Date of mailing of the international search report			
4 July 2003	11/07/2003			
Name and mailing address of the ISA European Patent Office, P.B. 5818 Patentlaan 2 NL - 2280 HV Rijswijk Tel. (+31-70) 340-2040, Tx. 31 651 epo nl, Fax: (+31-70) 340-3016	Authorized officer Lommel, A			

## INTERNATIONAL SEARCH REPORT

PCT/IB 03/00854

C.(Continuation) DOCUMENTS CONSIDERED TO BE RELEVANT		
Category °	Citation of document, with indication, where appropriate, of the relevant passages	Relevant to claim No.
Y	US 6 292 687 B1 (LOWELL DEWITT JAMES ET AL) 18 September 2001 (2001-09-18) column 3, line 31 -column 3, line 52 column 4, line 31 -column 4, line 43 column 4, line 62 -column 5, line 15; figure 1 column 8, line 45 -column 8, line 56 column 9, line 60 -column 10, line 41 column 11, line 19 -column 11, line 32 column 12, line 30 -column 12, line 33 ----	1-12
Y	US 6 249 252 B1 (DUPRAY DENNIS J) 19 June 2001 (2001-06-19) column 59, line 59 -column 65, line 55 ----	1-12
Y	US 5 990 826 A (MITCHELL JAMES P) 23 November 1999 (1999-11-23)	7-12
A	column 4, line 28 -column 4, line 67 column 7, line 4 -column 7, line 48 figure 5 ----	1-6
A	EP 0 896 828 A (SORIN BIOMEDICA SPA) 17 February 1999 (1999-02-17) column 7, line 50 -column 8, line 40; figure 1 -----	1-12

# INTERNATIONAL SEARCH REPORT

Information on patent family members

PCT/IB 03/00854

Patent document cited in search report	Publication date	Patent family member(s)	Publication date
DE 4441907	A	22-06-1995	DE 4441907 A1 22-06-1995
			GB 2285135 A 28-06-1995
			JP 7234982 A 05-09-1995
US 6292687	B1	18-09-2001	AU 6347001 A 03-12-2001
			WO 0189369 A2 29-11-2001
US 6249252	B1	19-06-2001	US 6236365 B1 22-05-2001
			US 2001022558 A1 20-09-2001
US 5990826	A	23-11-1999	US 6188353 B1 13-02-2001
EP 0896828	A	17-02-1999	IT T0970744 A1 15-02-1999
			EP 0896828 A2 17-02-1999
			US 6400987 B1 04-06-2002

专利名称(译)	响应和定位系统以及位置指示标记设备		
公开(公告)号	<a href="#">EP1492444A1</a>	公开(公告)日	2005-01-05
申请号	EP2003702981	申请日	2003-03-07
[标]申请(专利权)人(译)	皇家飞利浦电子股份有限公司		
申请(专利权)人(译)	皇家飞利浦电子N.V. 飞利浦知识产权及标准部GMBH		
当前申请(专利权)人(译)	皇家飞利浦电子N.V. 飞利浦知识产权及标准部GMBH		
[标]发明人	VOGTMEIER GEREON REITER HARALD LAUTER JOSEF SUCH OLAF REICHINGER CHRISTIAN SCHMIDT RALF		
发明人	VOGTMEIER, GEREON REITER, HARALD LAUTER, JOSEF SUCH, OLAF REICHINGER, CHRISTIAN SCHMIDT, RALF		
IPC分类号	A61B5/00 A61B19/00 G01S5/14 G08B21/02 G08B25/10		
CPC分类号	A61B5/1112 A61B5/0002 A61B5/1113 A61B90/50		
优先权	2002076228 2002-03-29 EP		
外部链接	<a href="#">Espacenet</a>		

#### 摘要(译)

本发明涉及一种用于检测，定位和响应处于异常生理状态的人的响应系统，所述系统包括定位装置（12），其被设置为提供关于人的实际位置的信息，并且监视装置（11）被设置为监测人的生理状况的异常，所述监测装置包括传感器（6）以获取与患者的生理状况有关的信号，处理器（8）处理所获取的信号以确定异常的位置条件已经发生，所述处理器被设置为产生触发信号以产生警报，警报产生装置（10）设置在接收到触发信号时产生警报，所述警报产生装置还被设置为提供指示该人的位置表示由定位装置（12）提供的位置的指示。为了在紧急情况下提供用户的有效位置信息，系统还包括位置指示标记（PIM）设备（14），其被设置为将有效位置信息存储在存储单元（13）中。PIM设备被安排为下载位置信息作为用户位置的坐标，地址或任何其它合适的描述，并且在紧急情况下将所述信息发送到监控装置。