

(19) World Intellectual Property Organization
International Bureau



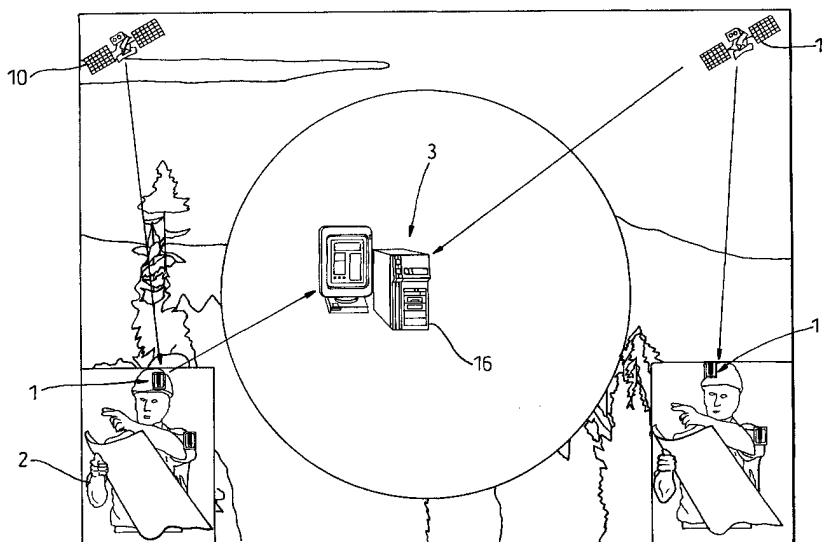
(43) International Publication Date
13 December 2001 (13.12.2001)

PCT

(10) International Publication Number
WO 01/93754 A1

- (51) International Patent Classification⁷: **A61B 5/00**
- (21) International Application Number: PCT/GB01/02450
- (22) International Filing Date: 1 June 2001 (01.06.2001)
- (25) Filing Language: English
- (26) Publication Language: English
- (30) Priority Data:
0013610.1 6 June 2000 (06.06.2000) GB
- (71) Applicant (for all designated States except US): **THE SECRETARY OF STATE FOR DEFENCE** [GB/GB]; CBD Porton Down, Salisbury, Wiltshire SP4 0JQ (GB).
- (72) Inventors; and
- (75) Inventors/Applicants (for US only): **MARTIN, Keith, Llewellyn** [GB/GB]; c/o DERA Porton Down, CB Systems 3, Salisbury, Wiltshire SP4 0JQ (GB). **COX, Christopher, S.** [GB/GB]; c/o DERA Porton Down, CB Systems 3, Salisbury, Wiltshire SP4 0JQ (GB). **BIGGINS, Peter, Douglas** [GB/GB]; c/o DERA Porton Down, CB Systems 3, Salisbury, Wiltshire SP4 0JQ (GB).
- (74) Agent: **BARKER BRETTELL**; 138 Hagley Road, Edgbaston, Birmingham B16 9PW (GB).
- (81) Designated States (national): AE, AG, AL, AM, AT, AU, AZ, BA, BB, BG, BR, BY, BZ, CA, CH, CN, CO, CR, CU, CZ, DE, DK, DM, DZ, EC, EE, ES, FI, GB, GD, GE, GH, GM, HR, HU, ID, IL, IN, IS, JP, KE, KG, KP, KR, KZ, LC, LK, LR, LS, LT, LU, LV, MA, MD, MG, MK, MN, MW, MX, MZ, NO, NZ, PL, PT, RO, RU, SD, SE, SG, SI, SK, SL, TJ, TM, TR, TT, TZ, UA, UG, US, UZ, VN, YU, ZA, ZW.
- (84) Designated States (regional): ARIPO patent (GH, GM, KE, LS, MW, MZ, SD, SL, SZ, TZ, UG, ZW), Eurasian patent (AM, AZ, BY, KG, KZ, MD, RU, TJ, TM), European patent (AT, BE, CH, CY, DE, DK, ES, FI, FR, GB, GR, IE, IT, LU, MC, NL, PT, SE, TR), OAPI patent (BF, BJ, CF, CG, CI, CM, GA, GN, GW, ML, MR, NE, SN, TD, TG).
- Published:**
— with international search report
- For two-letter codes and other abbreviations, refer to the "Guidance Notes on Codes and Abbreviations" appearing at the beginning of each regular issue of the PCT Gazette.*

(54) Title: POPULATION MONITORING SYSTEM



(57) Abstract: A system for monitoring a live population uses a unit (1) as a local data collection means to derive data on the physical condition of a population member (2). The unit (1) has a local processor (6) for correlating and storing the physical condition data relative to time, and means (7) for transferring the stored data from the local processor (6) to a remote data collection means (3). The remote data collection means also receives data relating to the location of the population member (2) relative to time, and analyses the physical condition and location data for unusual events, providing a signal on the occurrence of an unusual event. The physical condition may be derived from a sensor (4), which is a non-invasive sensor for measuring pulse rate, temperature and oxygen levels. The location data is provided from a location means (5) incorporated in the unit (1).



WO 01/93754 A1

POPULATION MONITORING SYSTEM

This invention relates to a system for monitoring a live population, with data from the population being transferred to a remote station for
5 analysis.

There are various situations where there is a need for the monitoring over a period of time of the state of a live population (whether human, animal or plant) and the location of the population members. An example is
10 where emergency service personnel are dealing with hazardous incidents. The monitoring is on the whole done by the personnel using radio or telephone communications to provide the necessary information to another human. The information provided can be analysed manually or from input to a computer, so that appropriate action can be triggered, for
15 example in a medical emergency to provide appropriate help to the correct location. This system relies on a human initiating the communication in the first place, and may not provide accurate medical or location information. It is also difficult to correlate information from different sources to provide an overall picture of the incident, to enable
20 hazards to be predicted.

According to the present invention, a system for monitoring a live population by monitoring at least one member of the population includes local data collection means operative to derive data relating to the
25 physical condition of the population member, a local processor for correlating and storing the physical condition data relative to time, means for transferring the stored data from the local processor to a remote data collection means, the remote data collection means also accessing data relating to the location of the population member relative to time, and
30 including a main processor for facilitating analysis of the physical condition and location data for identification of unusual events.

As the physical condition data and location data are correlated with time, these data can be provided accurately to the remote data collection means. The data can then be analysed for unusual events, if necessary in conjunction with data from other sources, to predict and signal the
5 unusual events, enabling appropriate action to be taken. The monitoring system therefore performs more efficiently.

The live population may be a population of humans, animals or plants. The data relating to physical condition picks up abnormal physical
10 symptoms, due to disease as such, injury or other factors such as environmental conditions. Analysis of this data can then be used to identify unusual events, in terms of disease, or environmental conditions.

The local data collection means and local processor are preferably
15 incorporated in a unit. A single unit may derive data relating to physical condition from more than one population member, but it is preferred that each population member has their own unit. This enables easy monitoring of each population member separately.

20 The local data collection means then preferably comprises a sensor attached to the population member, and controlled by the local processor. The processor may operate the sensor continuously or intermittently. This is particularly useful where the population consists of animals or plants, but may also be useful for humans. As operation of the unit is
25 automatic, there is no room for human error.

Alternatively, the local data collection means may comprise a manually-operable device, into which data relating to physical condition is input. Clearly, this can only be operated by humans, but is useful for deriving
30 data from more than one population member.

Conveniently the means for transferring the stored data comprises telecommunication means, for sending radio signals or the like. A telecommunication means is preferably associated with each local data collection means. It is preferably incorporated in a unit with the local data collection means and the local processor, and is controlled by the local processor.

The operation of the local processor is preferably programmable. The telecommunication means may be operative to receive data to alter the programming of the local processor.

The unit preferably contains a power source such as batteries, operated under the control of the local processor.

Preferably the unit includes a location means operative to derive data relating to the location of the population member, and the local processor then correlates and stores the physical condition data and the location data relative to time. This provides particularly accurate physical condition and location data.

The local processor then controls operation of the location means as well, so that it is operated continuously or intermittently.

Alternatively the location means may be separate from the unit. The location means may transmit the location data to the remote data collection means. The unit may transmit the physical condition data to the remote data collection means via the location means. The location means may then correlate the physical condition and location data relative to time.

The remote data collection means may simply comprise a central computer station for receiving, storing and analysing the data. Alternatively it may comprise a central station and a number of intermediate stations which receive the data from one or more units, and
5 relay it to the central station for storage and analysis. With this arrangement, the location means may be at the intermediate station, which correlates the location and physical condition data relative to time, and relays it to the central station. The data is preferably stored at the central station in a computer database.

10

The sensor for a human or animal may derive data relating to several states of the body, including pulse rate, temperature, oxyhaemoglobin, carboxyhaemoglobin and cytochrome oxidase. Monitoring is preferably by a non-invasive sensor. This may be of a near infra-red spectroscopy
15 (NIRS) type or any other suitable type. Sensors for plants may derive data relating to temperature, water content and the like.

The location data is preferably derived from a global positioning satellite system.

20

Embodiments of the invention are illustrated, by way of example only, in the accompanying drawings, in which:-

Figure 1 is a semi-diagrammatic illustration of a population
25 monitoring system according to the invention;

Figure 2 is a diagrammatic illustration of a unit used in Figure 1;

Figure 3 is similar to Figure 2, but shows a modified unit; and

30

Figure 4 is a semi-diagrammatic illustration of a modified monitoring system.

The population monitoring system of Figure 1 has a unit 1 which derives data about the state of a population member 2 (in this case a human body), data being transferred from the unit 1 to a remote station 3 for analysis.

The unit 1 is shown in more detail in Figure 2. It comprises a sensor 4 adapted to be attached to the body 2 to derive data relating to the physical condition of the body 2, a location means 5 which derives data relating to the location of the body 2, a local processor 6 for correlating and storing the physical data and location data relative to time, and telecommunication means 7 for transmitting the stored data to the remote station 3.

The sensor 4 is a non-invasive sensor of the near infra-red spectroscopy (NIRS) type. It has two sensor pads 8 adapted to be attached to the body 2 at spaced locations, such as the head and the arm. The sensor pads measure oxygen levels in the body 2, using near infra-red spectroscopy to monitor the levels of chromophores, whose absorbance is oxygen-dependent. Background interference from other tissues is compensated for by measuring changes in absorbance. The use of multiple wavelengths of light allows monitoring of changes in oxyhaemoglobin, carboxyhaemoglobin and cytochrome oxidase, which are all chemical states of the body relating to oxygenation levels and thus indicate the medical condition of the body 2. The sensor 4 also measures temperature and pulse data. The sensor pads 8 are non-invasively attached to the body 2 by detachable means such as tape or a band and by wires to the main part of the unit. The main part of the unit 1 is attached

to the body 2 or the wearer's clothing. It can be made small and lightweight.

The main part of the unit 1 also houses the location means 5, comprising
5 a global positioning monitor 9 which receives spatial co-ordinates from a satellite 10, as well as the time.

The data from the sensor 4 and the location means 5 is transmitted to the local processor 6, which correlates and stores it in relation to time, in a
10 suitable electronic memory. The processor 6 is a programmable microprocessor unit adapted to operate the sensor and the location means as required. Thus, the sensor and location means may be operated continuously or intermittently. The unit 1 also includes a power source in the form of a battery 11, and the local processor 6 is also programmed to
15 act as a power management system. Further the local processor 6 operates the telecommunication means 7 periodically to send the stored data to the remote station 3. The telecommunication means 7 sends the data by a radio signal, either directly or using a satellite 12 as a communications channel. The data could instead be transferred by
20 telephone (terrestrial or satellite) or cable, or even manually.

Figure 3 shows a modified unit 1' in which the sensor 4 is omitted, and the data relating to physical condition is instead derived by manual input by a human operator. Thus, the unit 1' has an input terminal 13 instead
25 of the sensor 4 and pads 8. The terminal 13 has a screen 14 and keys 15. The processor 6 stores a number of physical conditions, one or more of which are chosen by the operator to input to the processor 6. Thus unit 1' may also be used to derive data for more than one population member. The details of the individual population members are also held by the
30 processor 6, so that the data is related to the individuals. The

construction and operation of the unit 1 is otherwise the same as that of the unit 1 of Figure 2.

The remote station 3 comprises a data collection computer 16 including a
5 database in which the data is stored for analysis. The computer includes a main processor for analysing the physical condition and location data for unusual events and providing a signal on the occurrence of an unusual event. The computer 16 may also have access to other, collateral, data, to assist in the identification of unusual events. The other data may be
10 meteorological, geographic, pollution, medical or demographic databases.

The analysis of unusual events is based on the data from the units 1 or 1' and the collateral databases, chosen as required according to the expected events. The analysis uses a set of rules describing the signature of an
15 event as a departure from a normal background level of one or more parameters. The rules assign relative significance values to the events, to enable their significance to be evaluated singly and in combination, particularly where they arise from different databases. The rules assign an overall significance value, as a probability that an unusual event has
20 occurred. The rules may vary according to the parameters used.

An example which is useful in practice is the analysis of disease events from medical data, time, location and meteorological data. One such analysis of a particular infectious disease has been carried out
25 retrospectively. The rules looked at the occurrence of the disease as a function of time, location (by postal area in UK) and the meteorological record.

A first rule looked at the number of cases of the disease in relation to
30 time and meteorological conditions, to predict the number of cases which

would occur in a given future time period. The rule was modified if the predicted number of cases varied significantly from the actual number.

5 A second rule looked at the location of the cases, that is the spatial distribution in the postal areas. An infectious disease is expected to form clusters of cases, and the degree of clustering can be used to test the randomness of the spatial distribution to determine a departure from the expected distribution.

10 A third rule looked for a correlation between the spatial distribution of the cases and the prevailing wind, at a given time. The rule was modified according to any correlation.

15 Several instances of unusual events (for example, the disease becoming epidemic) were detected by the three rules.

The monitoring system has also been used with the unit 1' of Figure 3, to test the analysis in real time, based on manual input of physical condition, location data and meteorological data, to detect unusual events in
20 environmental conditions, as at a hazardous incident. Here an unusual event may occur when the physical condition of several population members in a given case changes, and danger can be predicted. This enables evasive action to be taken by the individuals concerned.

25 Thus, the monitoring system can be used for populations, to signal unusual events. While it has been described in terms of monitoring a population of humans it would also be used to monitor populations of animals or even plants. When monitoring plants, data relating to location will be input to, or otherwise available to the central data collection
30 computer 15, as global positioning will not be a requirement.

Figure 4 shows a modified monitoring system particularly suitable for monitoring groups of population members in a given area, and corresponding reference numerals have been applied to corresponding parts. In Figure 4, the location means 5 are provided not on the units 1, but at an intermediate or base station 17. The unit 1 therefore derives only physical conditions data, which the processor 6 correlates and stores relative to time. The processor 6 in this case provides the time information. The intermediate station serves to derive data on the location from the global positioning system. It has communication means 18 for receiving the physical condition data from the units 1, and relaying this, together with the location data, to the central data collection computer 15 for analysis. The physical condition and location data may be correlated by the intermediate station or the central computer 16. The communication means 18 preferably relays the data by a radio signal, but the data could be transferred by any suitable means.

CLAIMS

1. A system for monitoring a live population by monitoring at least one member (2) of the population includes local data collection means (1) operative to derive data relating to the physical condition of the population member, a local processor (6) for correlating and storing the physical condition data relative to time, means (7) for transferring the stored data from the local processor (6) to a remote data collection means (3), the remote data collection means also accessing data relating to the location of the population member (2) relative to time, and including a main processor (15) for facilitating analysis of the physical condition and location data for identification of unusual events.
2. A system as claimed in claim 1, characterised in that the local data collection means and the local processor (6) are incorporated in a unit (1).
3. A system as claimed in claim 2, characterised in that a single unit (1) derives data relating to physical condition from more than one population member (2).
4. A system as claimed in claim 2, characterised in that each population member (2) has a separate unit (1).
5. A system as claimed in any of claims 2 to 4, characterised in that the local data collection means comprises a sensor (4) attached to the population member and controlled by the local processor (6).
6. A system as claimed in claim 5, characterised in that the local processor (6) operates the sensor (4) continuously.

7. A system as claimed in claim 5, characterised in that the local processor (6) operates the sensor (4) intermittently.

8. A system as claimed in any of claims 1 to 4, characterised in that the local data collection means comprises a manually-operable device (13) into which data relating to physical condition is input.

9. A system as claimed in any preceding claim, characterised in that the means for transferring the stored data comprises telecommunication means (7).

10. A system as claimed in claim 9, characterised in that a telecommunication means (7) is associated with each local data collection means.

11. A system as claimed in claim 10, characterised in that a telecommunication means (7) is incorporated in a unit (1) with the local data collection means and the local processor (6) for control by the local processor (6).

12. A system as claimed in any preceding claim, in which the local processor is programmable.

13. A system as claimed in claim 12, characterised in that the telecommunication means (7) is operative to receive data to alter the programming of the local processor.

14. A system as claimed in any preceding claim, characterised in that the unit (1) includes a power source (11) operated under the control of the local processor (6).

15. A system as claimed in any preceding claim, characterised in that the unit (1) includes a location means (5) operative to derive data relating to the location of the population member, and the local processor (6) correlates and stores the physical condition data and the location data
5 relative to time.

16. A system as claimed in claim 15, characterised in that the local processor (6) controls operation of the location means (5).

10 17. A system as claimed in claim 16, characterised in that the local processor (6) operates the location means (5) continuously.

18. A system as claimed in claim 16, characterised in that the local processor (6) operates the location means (5) intermittently.

15

19. A system as claimed in any of claims 1 to 14, characterised in that a location means (17) operative to derive data relating to the location of the population member is separate from the unit (1).

20 20. A system as claimed in claim 19, characterised in that the location means (17) transmits the location data to the remote data collection means (3).

21. A system as claimed in claim 19 or claim 20, characterised in that
25 the unit (1) transmits the physical condition data to the remote data collection means (3) via the location means (17).

22. A system as claimed in any preceding claim, characterised in that the remote data collection means comprises a central computer station
30 (15) for receiving, storing and analysing the data.

23. A system as claimed in any of claims 1 to 21, characterised in that the remote data collection means comprises a central computer station (15) and a number of intermediate stations (16) which receive the data from one or more units (1), and relay it to the central station for storage
5 and analysis.

24. A system as claimed in claim 23, characterised in that each intermediate station (16) includes a location means, which transmits the location data to the central station.

10

25. A system as claimed in any of claims 5 to 7, characterised in that the sensor (4) derives data relating to any or all of pulse rate, temperature and oxygen levels in a human or animal body.

15 26. A system as claimed in claim 25, characterised in that the sensor (4) is a non-invasive sensor.

27. A system as claimed in any preceding claim, characterised in that the location data is derived from a global positioning system (10).

20

28. A system as claimed in claim 9, characterised in that the telecommunication means (7) sends data by a radio signal.

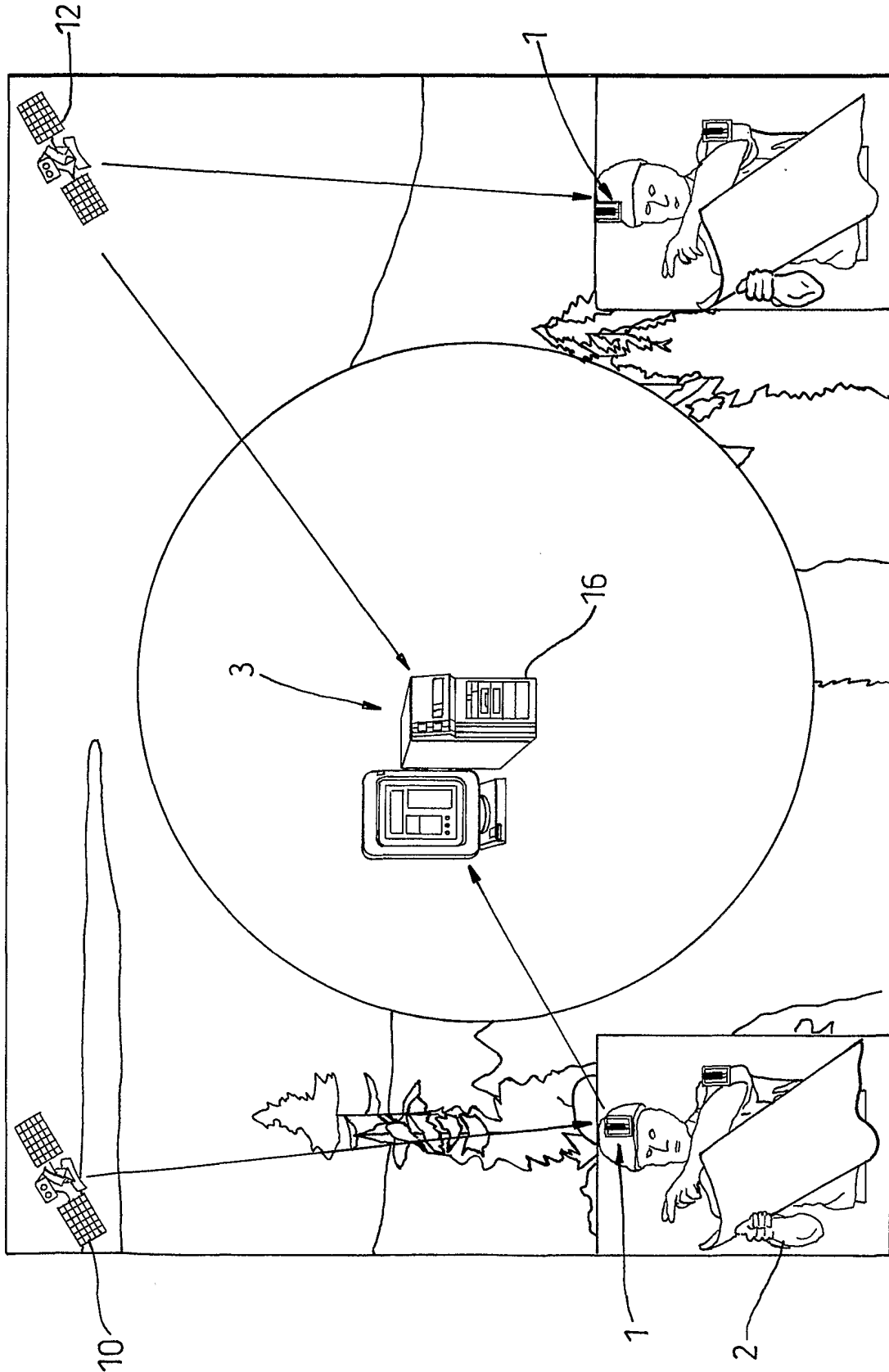


Fig. 1

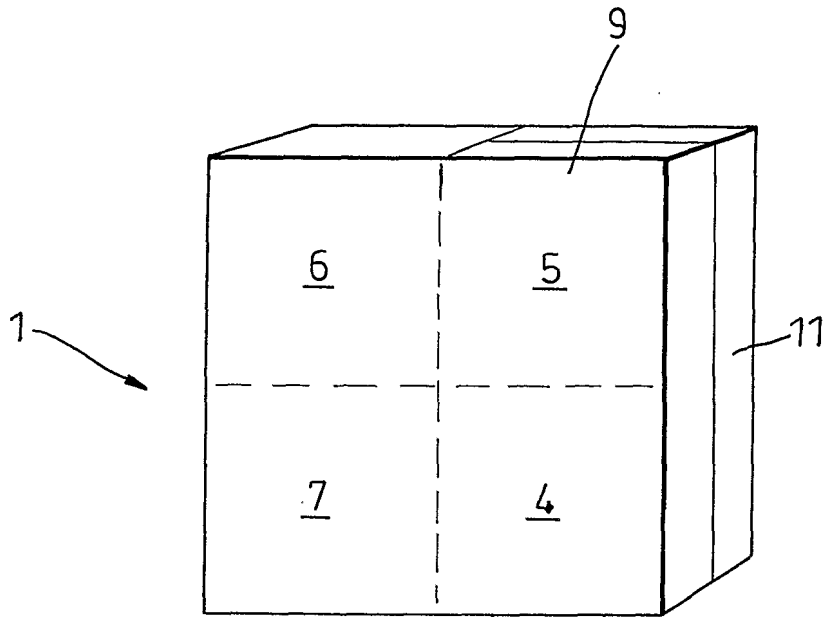


Fig. 2

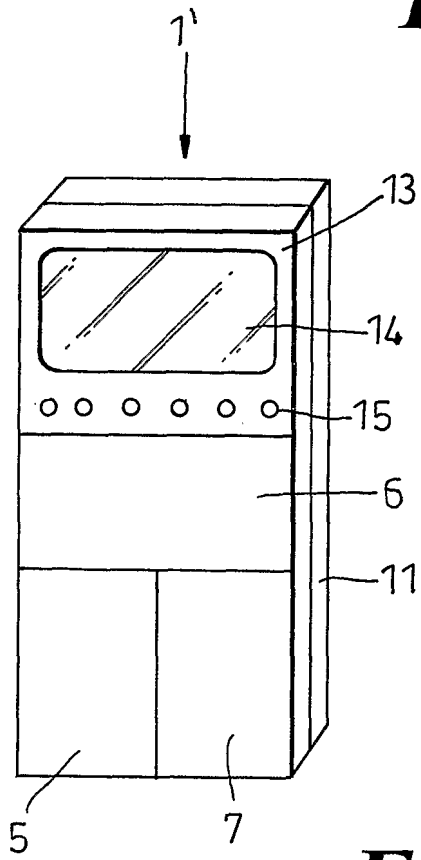


Fig. 3

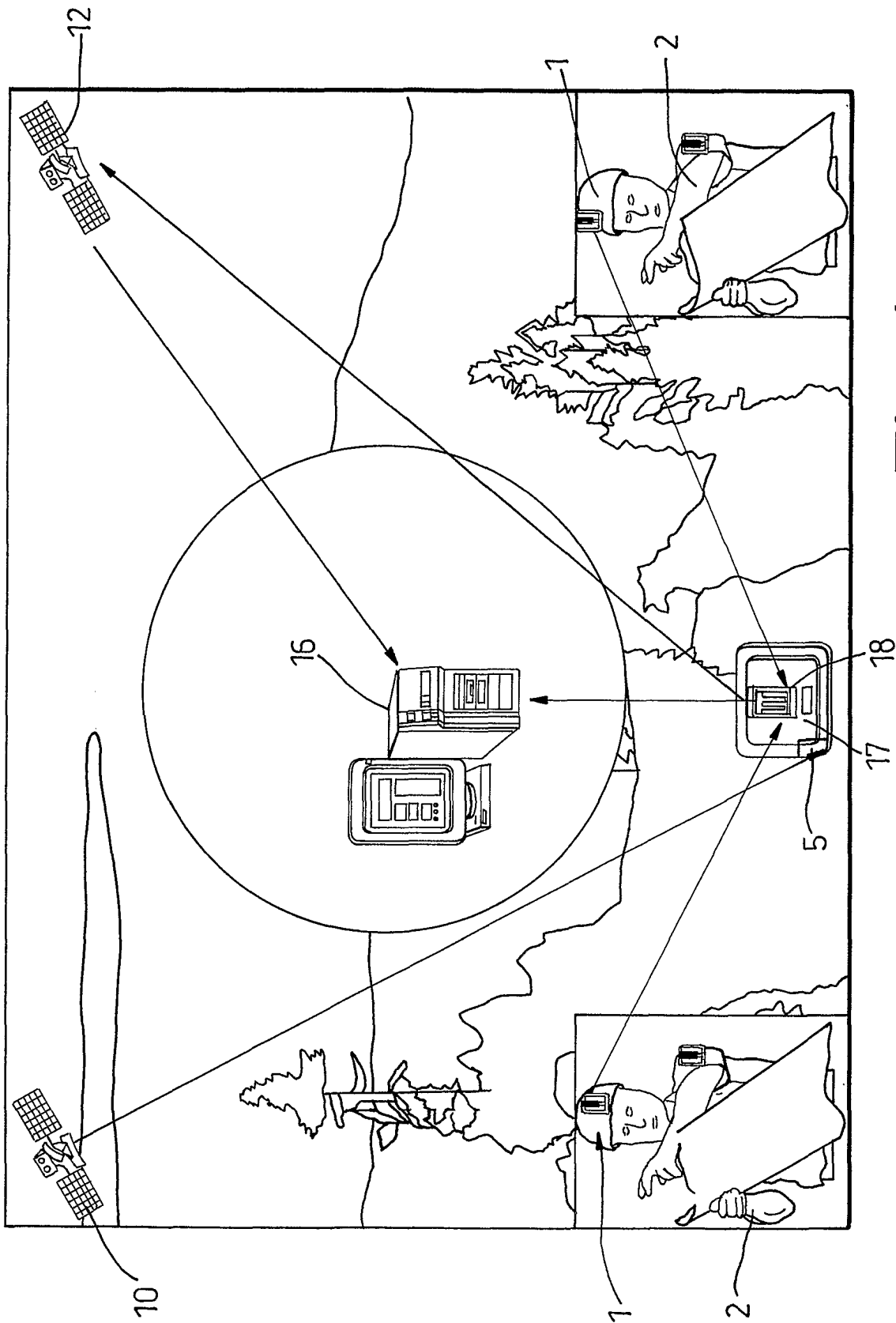


Fig. 4

INTERNATIONAL SEARCH REPORT

Int I Application No
PCT/GB 01/02450

A. CLASSIFICATION OF SUBJECT MATTER IPC 7 A61B5/00		
According to International Patent Classification (IPC) or to both national classification and IPC		
B. FIELDS SEARCHED Minimum documentation searched (classification system followed by classification symbols) IPC 7 A61B		
Documentation searched other than minimum documentation to the extent that such documents are included in the fields searched		
Electronic data base consulted during the international search (name of data base and, where practical, search terms used) EPO-Internal		
C. DOCUMENTS CONSIDERED TO BE RELEVANT		
Category °	Citation of document, with indication, where appropriate, of the relevant passages	Relevant to claim No.
X	US 5 652 570 A (LEPKOFKER ROBERT) 29 July 1997 (1997-07-29) column 7, line 11 - line 35 column 7, line 51 -column 8, line 15 column 9, line 31 - line 37 column 9, line 54 -column 10, line 8 column 16, line 17 - line 20 ---	1-6, 9-12, 14-17, 19-28
A	DE 198 48 229 A (DITEC GMBH) 24 June 1999 (1999-06-24) column 1, line 3 - line 17 column 1, line 45 - line 59 column 2, line 33 -column 3, line 6 ---	7,8,18 1-6, 9-13, 15-17, 22,25-28 7,14,18, 19,23
	-/--	
<input checked="" type="checkbox"/> Further documents are listed in the continuation of box C. <input checked="" type="checkbox"/> Patent family members are listed in annex.		
° Special categories of cited documents :		
A document defining the general state of the art which is not considered to be of particular relevance *E* earlier document but published on or after the international filing date *L* document which may throw doubts on priority claim(s) or which is cited to establish the publication date of another citation or other special reason (as specified) *O* document referring to an oral disclosure, use, exhibition or other means *P* document published prior to the international filing date but later than the priority date claimed		*T* later document published after the international filing date or priority date and not in conflict with the application but cited to understand the principle or theory underlying the invention *X* document of particular relevance; the claimed invention cannot be considered novel or cannot be considered to involve an inventive step when the document is taken alone *Y* document of particular relevance; the claimed invention cannot be considered to involve an inventive step when the document is combined with one or more other such documents, such combination being obvious to a person skilled in the art. *&* document member of the same patent family
Date of the actual completion of the international search 5 September 2001		Date of mailing of the international search report 14/09/2001
Name and mailing address of the ISA European Patent Office, P.B. 5818 Patentlaan 2 NL - 2280 HV Rijswijk Tel. (+31-70) 340-2040, Tx. 31 651 epo nl, Fax: (+31-70) 340-3016		Authorized officer Knüpling, M

INTERNATIONAL SEARCH REPORT

Information on patent family members

International Application No

PCT/GB 01/02450

Patent document cited in search report	Publication date	Patent family member(s)	Publication date
US 5652570 A	29-07-1997	NONE	
DE 19848229 A	24-06-1999	DE 19825898 A	10-12-1998
		EP 0963734 A	15-12-1999
EP 0976360 A	02-02-2000	JP 2000048283 A	18-02-2000

专利名称(译)	人口监测系统		
公开(公告)号	EP1289409A1	公开(公告)日	2003-03-12
申请号	EP2001934194	申请日	2001-06-01
[标]申请(专利权)人(译)	英国国防部		
申请(专利权)人(译)	状态国防部长		
当前申请(专利权)人(译)	状态国防部长		
发明人	MARTIN, KEITH LLEWELLYN,C/O DERA PORTON DOWN COX, CHRISTOPHER S.,C/O DERA PORTON DOWN BIGGINS, PETER DOUGLAS,C/O DERA PORTON DOWN		
IPC分类号	A61B5/00		
CPC分类号	A61B5/1112 A61B5/002 A61B5/0022 A61B5/6814 A61B2560/0242 A61B2560/0462 G16H50/80		
优先权	2000013610 2000-06-06 GB		
其他公开文献	EP1289409B1		
外部链接	Espacenet		

摘要(译)

用于监视活人口的系统使用单元(1)作为本地数据收集装置来导出关于人口成员(2)的身体状况的数据。单元(1)具有用于关联和存储相对于时间的物理条件数据的本地处理器(6),以及用于将存储的数据从本地处理器(6)传送到远程数据收集装置(3)的装置(7)。。远程数据收集装置还接收与人口成员(2)相对于时间的位置有关的数据,并分析异常事件的物理状况和位置数据,提供关于异常事件发生的信号。物理条件可以从传感器(4)导出,传感器(4)是用于测量脉冲速率,温度和氧气水平的非侵入式传感器。位置数据由结合在单元(1)中的定位装置(5)提供。