

(19) World Intellectual Property Organization
International Bureau



(43) International Publication Date
29 August 2002 (29.08.2002)

PCT

(10) International Publication Number
WO 02/067122 A1

- (51) International Patent Classification⁷: G06F 11/00
- (21) International Application Number: PCT/US02/04369
- (22) International Filing Date: 14 February 2002 (14.02.2002)
- (25) Filing Language: English
- (26) Publication Language: English
- (30) Priority Data:
09/783,913 15 February 2001 (15.02.2001) US
- (71) Applicant: I-MEDIK, INC. [US/US]; 150 Washington Street, Santa Fe, NM 87501 (US).
- (74) Agents: ROBERTS, Jon, L. et al.; Roberts Abokhair and Mardula, LLC, 11800 Sunrise Valley Drive, Suite 1000, Reston, VA 20191 (US).
- (81) Designated States (national): AE, AG, AL, AM, AT, AU, AZ, BA, BB, BG, BR, BY, BZ, CA, CH, CN, CO, CR, CU,

CZ, DE, DK, DM, DZ, EC, EE, ES, FI, GB, GD, GE, GH, GM, HR, HU, ID, IL, IN, IS, JP, KE, KG, KP, KR, KZ, LC, LK, LR, LS, LT, LU, LV, MA, MD, MG, MK, MN, MW, MX, MZ, NO, NZ, OM, PH, PL, PT, RO, RU, SD, SE, SG, SI, SK, SL, TJ, TM, TN, TR, TT, TZ, UA, UG, UZ, VN, YU, ZA, ZM, ZW.

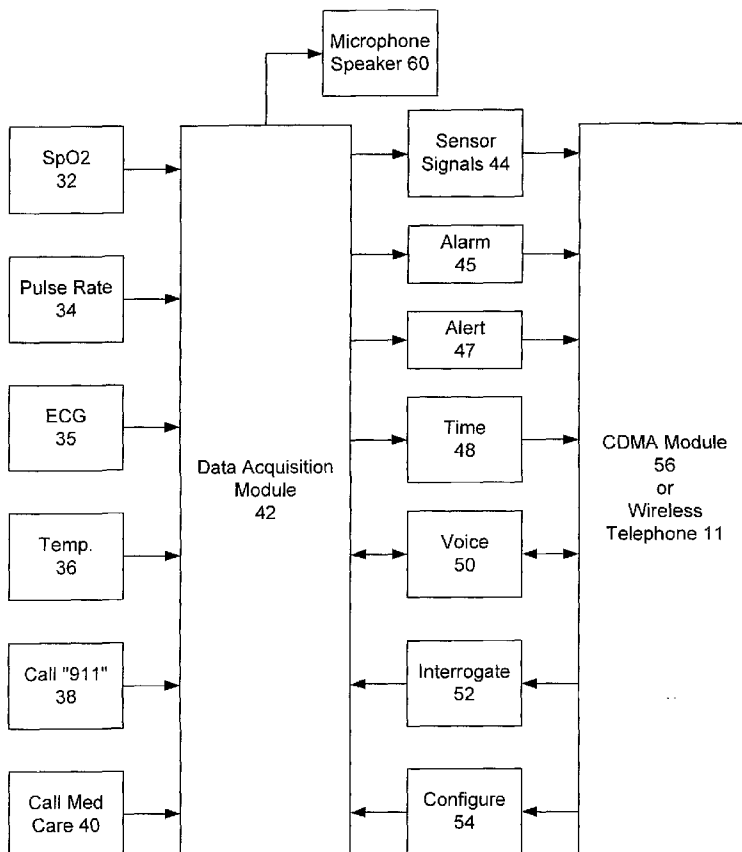
(84) Designated States (regional): ARIPO patent (GH, GM, KE, LS, MW, MZ, SD, SL, SZ, TZ, UG, ZM, ZW), Eurasian patent (AM, AZ, BY, KG, KZ, MD, RU, TJ, TM), European patent (AT, BE, CH, CY, DE, DK, ES, FI, FR, GB, GR, IE, IT, LU, MC, NL, PT, SE, TR), OAPI patent (BF, BJ, CF, CG, CI, CM, GA, GN, GQ, GW, ML, MR, NE, SN, TD, TG).

Published:

- with international search report
- before the expiration of the time limit for amending the claims and to be republished in the event of receipt of amendments

[Continued on next page]

(54) Title: WIRELESS INTERNET BIO-TELEMETRY MONITORING SYSTEM AND INTERFACE



(57) Abstract: A system and method for monitoring patient variables in a wireless manner via a patient worn monitoring device is disclosed. The patient monitoring device is wearable and connects to a variety of sensors (32, 34, 35, 36) and at least one microphone (60) for voice communications. The device connects to a wireless network and thence to the Internet for transmitting data to a Host for access by a medical care provider. The medical care provider communicates with the patient-wearable device via the Internet and the wireless network to send instructions to the patient-wearable monitoring unit and to communicate via voice with the patient. The medical care provider can also flexibly reconfigure (54) the device to change collection parameters. When an alarm limit is exceeded as detected by the sensors (32, 34, 35, 36), the data are transmitted to the Host computer for use by the medical care provider, thereby allowing full mobility to the patient wearing the device.

WO 02/067122 A1



For two-letter codes and other abbreviations, refer to the "Guidance Notes on Codes and Abbreviations" appearing at the beginning of each regular issue of the PCT Gazette.

1 TITLE: WIRELESS INTERNET BIO-TELEMETRY MONITORING SYSTEM AND
2 INTERFACE

3

4 FIELD OF THE INVENTION

5 This invention relates generally to medical monitoring devices. More particularly the
6 present invention is a system and method for monitoring physiologic, biochemical or
7 biometric variables of an individual in a wireless mode over the Internet.

8

9 BACKGROUND OF THE INVENTION

10 Monitoring devices of various types to monitor patient physiologic, biochemical or
11 biometric variables have long been used by the medical community. A plethora of testing
12 and monitoring equipment has moved out of the hospital into the doctors' offices and, in
13 some cases, these systems have even progressed into home monitoring systems.

14 While these devices have clearly been extremely useful, many of these devices
15 require that a patient be located at home, or in close proximity to a telephone system such that
16 results of the monitoring can be transmitted over the Public Switched Telephone Network
17 (PSTN) to some form of analysis center. Such devices do not necessarily lend themselves to
18 the mobile life style in which many individuals find themselves.

19 For example, it is difficult for a busy person to stop in the middle of the day, proceed
20 to a monitoring station, whether in a home or in some office, take the appropriate
21 measurements, and then proceed with the business of the day. This is simply not possible and
22 adds a level of stress to the already stressful situation of having to monitor physiologic,
23 biochemical or biometric signals. For a seriously ill person, it is often very difficult for the
24 person to move to a personal computer or to attach a monitor to a connection to the PSTN
25 system.

26 What would truly be useful is a system for monitoring physiologic, biochemical or
27 biometric characteristics of an individual on a mobile basis. Such a system would require
28 little, if any, interaction with a monitoring device. Signals that are collected would then be
29 sent in an automated manner to an analysis center or a physician's office. Alternatively, a
30 physician could interrogate the system worn by a patient while the patient is mobile to obtain
31 the physiologic signals of interest or create changeable automatic signal acquisition protocols
32 depending on the patient's condition. Additionally, if more appropriate in a particular clinical
33 setting, the patient could initiate sending of a signal to the physician.

1

2 SUMMARY OF THE INVENTION

3 It is therefore an objective of the present invention to remotely monitor physiologic,
4 biochemical, or biometric variables from any patient.

5 It is a further objective of the present invention to monitor physiologic, biochemical,
6 or biometric variables of a patient whether the patient is ambulatory or stationary when the
7 health care provider is remote from the patient.

8 It is yet another objective of the present invention to monitor physiologic,
9 biochemical or biometric variables using the Internet.

10 It is still another objective of the present invention to monitor physiologic variables in
11 conjunction with a wireless communication device such as a cellular telephone. .

12 It is a further objective of the present invention to monitor physiologic variables in a
13 wireless manner within a generalized geographic area.

14 It is a further objective of the present invention to monitor physiologic variables
15 without the patient having to proceed to any centralized location in a geographic area.

16 It is a further objective of the present invention to monitor a patient anywhere in the
17 coverage map of a cellular- or satellite-based telephone network.

18 It is a further objective of the present invention to have data relating to physiologic
19 variables automatically sent over a wireless network to a physician or other medical caregiver
20 using the Internet.

21 It is a further objective of the present invention to allow a health care provider to
22 interrogate the physiologic monitoring device in a wireless fashion using prescribed protocols
23 or ad hoc queries whenever the health care provider needs to take such physiologic
24 measurements.

25 It is a further objective of the present invention to provide voice communications in a
26 wireless mode to and from a user and a medical caregiver.

27 It is yet another objective of the present invention to provide voice communications
28 through a cellular telephone between a user and a medical caregiver.

29 It is still another objective of the present invention to provide two-way messaging
30 between a user and a medical caregiver.

31 It is yet another objective of the present invention to detect a persistent out of range
32 physiologic, biochemical or biometric measurement and to issue an alarm signal to the patient
33 and health care provider.

1 It is a further objective of the present invention to have a "panic" function which
2 allows both a user to send a "panic" message to a health care provider or allows a health care
3 provider, after monitoring physiologic signals, to send a voice "advice" message or text-
4 based instructions to the patient.

5 It is still another objective of the present invention to provide automatic testing and
6 troubleshooting functions for the physiological monitoring device.

7 It is a further objective of the present invention to accomplish all the above objectives
8 using a device that is worn by the patient in a relatively unobtrusive fashion.

9 These and other objectives of the present invention will become apparent to those
10 skilled in the art from a review of the specification that follows. The words physician,
11 doctor, healthcare provider, caregiver, medical care provider, care provider, etc. as used
12 herein shall mean the person with the responsibility for the care of the patient.

13 The present invention is a Wireless Internet Bio-telemetry Monitoring System
14 (WIBMS). The system makes use of a variety of physiological, biometric and biochemical
15 sensors and measurement systems that are generally used to detect signals or measure
16 variables directly from the human body or from biological fluids such as blood or urine. One
17 such sensor system is described in US Patent 5,673,692 whose characteristics are
18 incorporated herein by reference in their entirety. However, this particular sensor is not
19 meant as a limitation. Literally any type of bio-sensor or physical sensor generally known to
20 those skilled in the art will find use in the present invention. Further, the sensor of U.S.
21 Patent 5,673,692 can include a microphone so that the voice of the patient can be transmitted
22 using the system of the present invention.

23 The physiological, biochemical, or biometric sensors are connected to a combination
24 data acquisition module and wireless transceiver that is worn by the patient or placed
25 conveniently near the patient. This combination sensor package and communication unit is
26 known as the Portable Data Monitor, or PDM. The PDM can monitor many patient variables
27 at once. The PDM is battery-powered and may operate connected to an external power
28 adapter. The batteries that power the PDM can be single-use batteries or rechargeable
29 batteries. Further, when the individual is in a mobile state, the batteries of the PDM, if
30 rechargeable, can be recharged by plugging them into a car power outlet or into a normal AC
31 outlet. This allows the individual to keep batteries constantly charged in the PDM whether
32 the individual is mobile or in an office.

1 As noted above, the PDM is a patient-worn or patient carried (i.e., patient-wearable)
2 device that allows maximum mobility to the particular patient.

3 The PDM has the ability, on a periodic basis, to interrogate physiological,
4 biochemical and biometric sensors or measurement systems worn or located near the patient
5 and to store signals from the physiologic, biochemical and biometric sensors or measurement
6 systems. As required, in response to a physician query, on a periodic basis dictated by a
7 protocol maintained on an internet Host, or a patient action, the PDM calls into a wireless
8 network and transmits the bio-sensor information to the wireless network. The bio-sensor
9 information then proceeds from the wireless network to the Internet and then to the Host,
10 such as an analysis center or a data warehouse which receives and stores the information for
11 subsequent analysis. In another embodiment, the PDM can be plugged into a cell phone or
12 computer, adding the capabilities of such devices to those of the PDM. The PDM also
13 comprises an emergency "panic" button whereby a patient can direct the transceiver portion
14 of the PDM automatically to call 911 or a designated medical caregiver in the event of a
15 medical emergency.

16 As noted above, the PDM is connected to various physiologic, biochemical and
17 biometric sensors and measurement systems. Therefore, the PDM has sensor condition
18 detection circuitry, connected to a lamp and/or a message display, which allows a user to
19 determine that all sensors are operating correctly. When a sensor receives a particular signal
20 out of the normal physiologic range for the particular patient and the out of range
21 measurement is persistent, a sound and light alarm can be actuated such that the caregiver can
22 understand that a significant medical event is occurring. The patient is also notified that an
23 alarm condition is present. Simultaneously with such an alarm, a time-tagged record is
24 recorded for subsequent retrieval and analysis.

25 Thus, when the PDM is functioning in a data acquisition mode, it receives
26 information from the sensors, performs some limited analysis on that information and notifies
27 the patient and caregiver of any non-standard conditions.

28 When the PDM periodically sends stored signals from the biosensor over the network,
29 a unique identifier is encoded with any such data that is sent such that the data can be directly
30 associated with a particular patient. The data and patient identity are secured.

31 Once data is received at the server, the data is stored with appropriate privacy and
32 security issues dealt with in a manner known to those skilled in the art.

1 The PDM also comprises circuitry for self-testing its various sub-systems and sensors
2 and for communicating any trouble shooting information directly to the patient in the event
3 that the sensor becomes dislodged, for example. Further, such trouble-shooting data can also
4 be sent in a wireless mode to the central server such that trouble-shooting can take place
5 remotely, or in the alternative, a new PDM unit can be sent to the patient. The patient may
6 further connect the PDM to a personal computer (PC) for advanced servicing performed by a
7 technician at a remote location.

8 The PDM also can be preset before giving it to a patient. In addition, and depending
9 upon the biological signals being monitored, alarms can be set remotely by the health care
10 provider over the Internet and subsequently via the wireless network and can be based upon
11 the caregiver's knowledge of the condition of the patient. Such remote setting also occurs via
12 the two-way communication of the transceiver portion of the PDM.

13 Communication rates of the WIBMS are optimized to fit common cellular calling and
14 rate plans and to minimize the cost and air-time usage.

15 With the WIBMS, the following types of monitoring can take place:

- 16 • digitally sampled electrocardiogram
- 17 • patient body temperature
- 18 • pulse oximetry
- 19 • pulse rate
- 20 • other physiologic, biometric, or biochemical variables, such as blood glucose,
21 respiration, weight, etc.
- 22 • various pre set alarm conditions or physiologic variables
- 23 • event occurrences per patient action/input.

24 As also noted above the PDM has bi-directional communication capability and has the
25 capability to transmit "panic" signal over wireless or cellular network, to initiate 911 calls, to
26 allow a patient-initiated voice calling over a cellular telephone link, and to allow medical
27 provider voice calling to the patient over a cellular telephone link.

28 Other characteristics of the present invention will become apparent to those skilled in
29 the art by review of the detailed description of the invention that follows.

30

31

32

33 BRIEF DESCRIPTION OF THE FIGURES

1 **Figure 1A** illustrates one configuration of the Wireless Internet Bio-Telemetry
2 Monitoring System (WIBMS).

3 **Figure 1B** illustrates an alternative configuration of the Wireless Internet Bio-
4 telemetry Monitoring System (WIBMS).

5 **Figure 2** illustrates the multi-variable patient monitoring portion of the WIBMS

6 **Figure 3** illustrates the portable data monitor operational mode state transition model.

7 **Figure 4** illustrates a front panel drawing of the Portable Data Monitor.

8 **Figure 5** illustrates the architecture of the Portable Data Monitor.

9 **Figure 6** illustrates a touchscreen of an alternative front panel of the Portable Data
10 Monitor.

11 **Figure 7** illustrates a schematic diagram of a preferred SIICM of the present
12 invention.

13

14 DETAILED DESCRIPTION OF THE INVENTION

15 As noted above, the present invention is a Wireless Internet Bio-telemetry Monitoring
16 System comprising a patient monitoring device which is conveniently worn or used by a
17 patient and which interfaces with sensors together with a combination network that allows
18 biologic signals or measurements to be reviewed and acted upon by a health care provider
19 who is located remotely from the patient. Data from the monitoring system is sent in a
20 wireless mode over a cellular network to the Internet, and then to a data analysis center
21 (Host) for retrieval and review by a medical care provider.

22 In **Figure 1A**, one embodiment of the Wireless Internet Bio-telemetry Monitoring
23 System (WIBMS) is illustrated. Patient **10** wears a multi-variable portable data monitor
24 (PDM) **12A**. This PDM monitors a variety of physiological signals of a patient as further
25 noted below. The PDM **12A** has the capability of communicating bi-directionally via voice
26 **14** in much the same manner as a normal cellular telephone. In addition, the PDM **12A** sends
27 data **16** on a periodic basis, or in some cases on a continuous real-time basis, over a wireless
28 network to the Internet and then to a Host as well as receives requests for data **18** which may
29 be made by a medical care provider over the Internet using wireless, PSTN, or alternative
30 connections to the Host. The PDM **12A** sends and receives data with or without use of the
31 voice communication capability of the device. Alternatively, as in **Figure 1B**, a cellular
32 telephone **11** can further be plugged into the PDM **12B** to replace the CDMA module **56** as
33 shown in **Figure 2**.

1 Wireless network **20** is the normal cellular telephone network currently in use. This
2 type of network is not however meant as a limitation. For example PCS networks and other
3 types of wireless loop networks are also suitable for transmission of the voice and data
4 envisioned by the present invention. It will be apparent to those skilled in the art that such
5 other networks can satisfy the requirements for transmission of voice **14**, data **16**, and request
6 for data **18** to and from patient **10**.

7 Once physiologic, biochemical or biometric data are transmitted over network **20**,
8 they are then transmitted via an Internetworking Function (IWF)[®] **24**, for example, to
9 preferably the Internet **26** for subsequent communication over the Internet **26** to the Host **30**
10 for retrieval and review by the medical care provider **28**. In addition, data can be archived
11 again via the Internet **26** to a data archiving and distribution facility or Host **30**. Data that is
12 archived is stored in a private and secure fashion using techniques known in the art that allow
13 secure transmission and access limitation.

14 In the event that voice traffic is being transmitted from the patient, a wireless network
15 **20** connects to the public switched telephone network **22** that connects to the medical care
16 provider **28** or 911 operator **32**. Again, in this fashion, the medical care provider **28** can
17 receive voice information from the patient **10** and provide voice feedback to the patient **10** as
18 well. Similarly, the medical care provider **28** can both receive traffic from the WIBMS as
19 well as transmit requests for data over Internet **26** through IWF **24** over the wireless network
20 **20** through the Internet **26** via the data repository/Host to the PDM **12A**, **12B** as well as
21 configure **19** the PDM **12A**, **12B**.

22 The PDM **12A**, **12B** further provides audio, voice and text messaging capabilities.
23 Voice messaging typically is short segment phrases, typically of two-second duration.
24 Audio/voice messaging from the PDM **12A**, **12B** usually arises as the result of alarms and
25 alerts detected and reported to the internal system status. There are some special occurrences
26 such as when the patient instigates a local voice call. As such, messages will be presented to
27 guide and inform the patient as to the call status.

28 When audio messages arise because of alarms/alerts reported by the internal status, it
29 is desirable to repeat the messages until the error is resolved. This can be complicated when
30 several are pending concurrently. Presenting distinctive sound patterns (for instance, a two-
31 tone sequence) may relieve this in lieu of voice phrasing that can be intuitively associated
32 with a particular error.

1 Two-way ext messaging between the PDM and the Host is typically provided via a
2 touchscreen on the PDM and can be used for various purposes, as discussed later in reference
3 to **figure 6**.

4 To further manage concurrent message situations, priority is given to each message
5 according to the nature of the message. Messaging uses considerable battery power. Thus,
6 audio message management is important for efficient use of the PDM power supply. Alarms
7 have top priority. For situations where there are multiple alarms active, then the sequence
8 can be configured to further set priority by the type of alarm, or create a timing cycle which
9 displays each alarm for a short time period. Messages are displayed for a Low Battery
10 Condition, Non-Recoverable Alerts, Voice Call guidance, and Recoverable Alerts (such as a
11 sensor disconnection). Priority can also be set to manage multiple message situations for
12 these types of messages.

13 All data that is received from the PDM **12A**, **12B** and the network is archived **30** so
14 that the data from the specific patient can be monitored over time and analyzed for trends that
15 can be used for alarm setting and data collection protocols. All such data is transmitted in an
16 encrypted form with limited access using methods known in the art so that patient privacy and
17 confidentiality is maintained.

18 In **Figure 2**, the PDM is further illustrated. The PDM (initially noted as **12A** in
19 **Figure 1** and **12B** in **Figure 1B**) comprises, without limitation, a number of biosensors. For
20 example, blood oxygen saturation level **32**, pulse rate **34**, electrocardiogram (ECG) **35**, and
21 body temperature **36** can all be measured by physiological sensors associated with the
22 appropriate measurement. Signals from the sensors are picked up and stored by the data
23 acquisition module **42**. This information from the biosensors is then sent as sensor signals **44**
24 to the CDMA (although other protocols may also be used) module **56** of the PDM **12A** for
25 subsequent transmission. Alternatively, these signals can be sent by PDM **12B** directly to the
26 cellular telephone **11** as shown in **Figure 1B**.

27 In addition to simply acquiring data, the data acquisition module **42** also notes any
28 alarm condition **45** or alert condition **47** and transmits that information via CDMA module **56**
29 or cellular telephone **11** to the Internet, where it can be accessed by medical care providers.
30 In addition, data acquisition module **42** transmits the time of day **48** with any transmission of
31 alarm information, alert information or sensor information. As noted earlier, the various
32 alarm and alert conditions can be reconfigured by the health care provider over the Internet
33 and the wireless network without any patient interaction.

1 The CDMA module 56 is, for example, one manufactured by Qualcomm for use as a
2 cellular telephone module. The CDMA module 56 or cellular telephone 11, in connection
3 with 3Com "Quick Connect" Internet connection software and 3Com Internetworking
4 Function (IWF) device are all used to connect to, for example, the Sprint digital cellular
5 telephone network. The characteristics of the Qualcomm CDMA cellular phone module, the
6 3Com Quick Connect Internet connection software, and the 3Com Internetworking Function
7 device are all incorporated herein by reference in their entirety.

8 The CDMA module 56 or cellular telephone 11 currently allows for digital cellular
9 communications at 14.4 kbps, which is sufficient for the transmission of the physiological,
10 biochemical and biometric information contemplated by the present invention. This is not
11 however meant as a limitation as further faster wireless modulated speeds will become
12 available. All of these faster connections will be suitable for transmission of the data and
13 voice of the present invention.

14 The PDM can communicate using any of three platforms of communication operation.
15 These platforms are: CDMA Periodic Post, CDMA Host Request, and RS232 Slave Request.
16 Only one platform operates at a given time. Data supplied by the PDM over these platforms
17 may be a one-time snapshot, a sequence of various data, or a chain of real-time data.

18 In the CDMA periodic post communication, the PDM initiates a Quick Net Connect
19 (QNC) call to establish connection to the Internet with Sprint-PCS as the Internet service
20 provider (ISP). The PDM makes connection and validation to a Host website and posts data to
21 an assigned server page in the Host system.

22 Profiles are stored at the PDM in non-volatile memory. Each profile contains multiple
23 parameters, one of which determines how often the PDM is to initiate a CDMA network
24 connection to a specific website Host and post information to it. The specific types of data to
25 be posted to the Website are also determined by information within the profiles. Various types
26 of posting data may each be directed to specific web pages of the Host. The PDM post may
27 contain zero or one piece of data. Each post is a separate transaction. The PDM waits for a
28 response from each post transaction. The response may be a positive acknowledgment, ACK,
29 or a negative, NAK. Host responses, posted at the Host in response to each PDM post
30 transaction may contain additional information beyond an ACK or NAK. The situation where
31 no data is posted is a mechanism where the Host can subsequently make a request to the PDM
32 for a null data post in its response.

1 If more information is required, the Host will respond with and ACK+MORE message.
2 This type of response alerts the PDM to seek Host requests on the assigned server page. If no
3 more information is required and the post was successful, an ACK+NULL response is given.
4 If more data is required, the PDM responds to the additional Host requests before reverting
5 back to its original list of post items. If the last post results in an ACK+NULL, the PDM
6 CDMA connection is ended.

7 If a NAK is the response to the PDM post, the PDM tries to post the data a
8 predetermined number of times until the post is successful or until the number of tries is
9 exhausted. If the PDM was unsuccessful in its post attempts, it pauses for a predetermined
10 length of time as defined in the profile in effect and then tries to post anew. A NAK may also
11 be accompanied with an error reason. There is logic in the PDM to interrupt the error reason
12 and take appropriate action. For example, insufficient CDMA signal error will result in the
13 termination of the current post attempt.

14 The second communication platform used by the PDM is a CDMA Host Request. A
15 CDMA Host Request is performed by a Host making the data request of a specific PDM. A
16 Host is any web site server capable of uploading profiles and operational parameters to the
17 PDM. Some Hosts will download and store patient data. Other Hosts may be used to service
18 the PDM remotely. The Host initiates a CDMA voice call to a specific PDM. The PDM is
19 awakened by the incoming ring. The patient is not initially alerted to the incoming call. The
20 PDM responds as follows. First, it reads the incoming caller ID, if available, and determines if
21 it is coming from a known Host or from a voice originating point. If the call is from a voice
22 origination point, then the PDM logs the originating point as a CDMA voice call, alerts the
23 patient by allowing the handset to ring and the patient answers the call.

24 If the call is from a specific data origination point Host, then the PDM waits for the
25 Host Site to finish ringing and then rings back to initiate a CDMA QNC network connection
26 with the Host website. Because the Host has originated the sequence, it must now make
27 available an active server page, which contains an Internet address containing a table of
28 requests that are expected to be serviced by the PDM. This table of request page is called the
29 Active Request Page (ARP). The duty of the PDM is to go to the Active Request Page and
30 sequentially service the requests found at the page. For instance, the PDM may be requested
31 to provide the user's temperature, SPO2, pulse rate, beat-to-beat variability, and single lead

1 ECG reading. On completion of all requests, the PDM terminates the CDMA network
2 connection.

3 An alternative method for the Host to initiate a request is for the Host to make a CDMA
4 call to the PDM, and then hang up. There is no check of the caller ID. The PDM initiates a
5 post to the Host web site with no data. The Host responds with an ACK+MORE which signals
6 the PDM that requests are outstanding. The PDM then queries the Host for the active request
7 page, (ARP). The PDM connects to ARP, retrieving the Host requests.

8 The third communication platform is the RS232 Slave Request. With this platform the
9 PDM may be directly connected to a Host Device, such as a PC or laptop, using a direct cable
10 connected between the Host Device Com port and the PDM. The PDM will be configured as
11 data communications equipment, or "DCE". The PDM acts as a "slave" operating with this
12 platform, because it responds only to requests sent to it by the Host. In this manner, the Host
13 sends a request and then the PDM answers the request with specific information within a set
14 period of time. The PDM can respond to only one request at a time. An existing request must
15 be either totally completed or a timeout declared before a successive request can be issued.

16 An alternate or additional means of communication with the local Host is to use
17 Infrared optical (IrDA) techniques. IrDA allows local communication between the PDM and a
18 client device such as a desktop PC or laptop. IrDA may be used with or without cabling, thus
19 removing the tether between the PDM and the local client. Another embodiment would
20 provide RF communication between a local client such as a PC and the PDM, thus removing a
21 line of sight requirement inherent with IrDA.

22 When the PDM is in a server or slave capacity to a local Host, the PDM must always
23 be available. This arrangement requires relatively high power consumption by the PDM. It is
24 preferable that the PDM be powered by an external power adapter under these conditions.

25 The local connection between client device and PDM (slave or server) platform has
26 several uses. It is used in manufacturing for manufacturing tests and special servicing. It can
27 be used in the field for downloading programs. It can be used in the field for refurbishment of
28 the device, which includes cleaning of data memory, time setting, and controlling basic
29 operating states. With this platform, a Host separate from the Host gathering user data can be
30 used to provide servicing functions.

1 Because the PDM can communicate with these different platforms, several functions
2 can be performed with the PDM. The PDM will support the following list of communication
3 request types, at a minimum. Actual request transactions could include a concatenation of
4 more than one these types. CDMA Host platform requests and RS232 platform requests are
5 communicated over the same serial port. Only one of these platforms may operate at a given
6 time. The PDM has logic to detect the type of cabling associated with the serial port, thus
7 responding in an appropriate manner. Distinctions between CDMA Host Request and RS232
8 platforms are included within the list as shown below:

- 9 1. Setting the Real Time Clock (RTC) with time and date, and retrieving RTC time and date
10 from the PDM. A recommended format for RTC is Greenwich Mean Time (GMT).
- 11 2. Retrieving and Setting of Patient identification data. Patient Identification data consists of
12 128 bytes of free format ASCII data representing some description of the user/patient.
- 13 3. Retrieving and Setting of a Patient ID number. Such a number is an alias for the patient's
14 actual name, and functions as a security measure.
- 15 4. Retrieving and Setting of the PDM's operational profile(s). It is permissible to consider
16 sending/receiving all profiles at once, or as separate profiles. Checksum operation should
17 accompany the transmission of profiles.
- 18 5. Retrieving the PDM's internal status.
- 19 6. Setting the PDM operational mode from a remote location. Among these, for example
20 and without limitation, are power-ON/power-OFF, sleep/awake, idle, run, alarm, and the
21 like.
- 22 7. Retrieving the PDM manufacturing data, such as hardware serial number, software
23 revision, unit type or class, build identification, and other like data. Setting of this data is
24 permissible with only the RS232 platform.
- 25 8. Retrieving the PDM telecommunications data such as the assigned telephone number, IP
26 address, etc. Setting of this data is permissible with only the RS232 platform.
- 27 9. Retrieving and Setting of telephone call numbers. A Repository and Host Site telephone
28 number, the Host Site URL address/password, and the Voice telephone number to use for
29 emergency calling (such as with the panic button) are examples, without limitation, of
30 important call numbers that users and caregivers would need readily available.

- 1 10. Retrieving of both the Most Oldest and the Most Current patient data records from logged
2 memory by index numbers.
- 3 11. Retrieving of a patient record specified by its index within logged memory.
- 4 12. Retrieving of the most current data record as output by the PDM. Timed periodic data
5 retrieval using this technique can allow continuous real-time waveform data transfer to a
6 Host device.
- 7 13. Erasing logged data. With separate special request, the entire logging memory may be
8 erased.
- 9 14. Performing the Reset of Alarms within the unit.
- 10 15. Performing the Reset of Alerts within the unit.
- 11 16. Retrieving and resetting voice call/data call instances and on-air accumulative time
12 statistics.
- 13 17. Using the RS232 platform only, the unit-firmware can be downloaded and programmed
14 into the PDM by a Host device. Correspondingly, such firmware can be uploaded for
15 verification.
- 16 18. Using the RS232 platform only, the unit's voice synthesis sound set can be downloaded
17 into the PDM by a Host device. Correspondingly, a sound set may be uploaded for
18 verification.
- 19 19. Using the RS232 platform only, diagnostic and special loading firmware may be
20 downloaded and programmed into the PDM by a Host device. Correspondingly, such
21 firmware may be uploaded for verification.
- 22 20. Using the RS232 platform only, a special, protected request can be sent to the PDM from
23 a Host device. The special request cleans all operational profiles to a default state, resets
24 all alarms and alerts, erases all memory and patient data, and places the unit in IDLE
25 mode. Such a request that causes multiple actions is useful for the healthcare provider to
26 refurbish the unit for the next outgoing patient.
- 27 21. Instigating a specific audible sound phrase or tone of the voice synthesizer can be done
28 from a Host device. Such requests can be used to alert the patient under unusual

1 conditions. Such requests also serve as diagnostic tools to ensure the PDM is working
2 properly.

3 22. Using the RS232 platform only, special diagnostic request may be issued from the Host
4 device for test purposes. For example, a request may be sent to provide raw data from a
5 measurement system.

6 Data that is collected is encrypted to prevent eavesdropping or tampering with any
7 commands. All information and data is Internet protocol compatible and contains error
8 checking to insure data accuracy.

9 The data acquisition module 42 continuously monitors, for example and without
10 limitation, ECG and transmits that information from the PDM to the Internet. Transmission
11 of data can be in real time and/or can be stored and forwarded depending upon the collection
12 protocol ordered by the medical service provider. Similarly, temperature measurement, pulse
13 oximetry, and pulse rate all can be collected and transmitted continuously during various
14 periods of time or can be collected stored and burst transmitted over the wireless network as
15 required.

16 Measurement systems data is collected, reduced and stored to recording memory on a
17 per second basis. If an operating profile calls for particular measurement duration of X
18 seconds, then X successive logging records are produced during the X seconds. Note that the
19 different measurement systems may be specified with interval times and duration that are not
20 necessarily in synchronization with others. To resolve this difference in measurement data,
21 data collection can be programmed in sums of the aggregate of all interval times and duration
22 together to derive an aggregate interval time and duration. The Host that generates the
23 operating profiles must come up with efficient schemes for specifying the measurement
24 intervals and duration collectively.

25 The timekeeping mechanism for determining when a measurement recording is to
26 take place is the Real-Time Clock (RTC) that provides time 48. Each stored record of
27 measurements contains a time stamp and the current internal status of the PDM.

28 When the PDM enters the Alarm Mode (discussed in more detail below), all
29 measurement data is recorded continually with once a second records until relieved by a
30 communication request. Recording Data Memory 594 (see figure 5) is constrained by
31 storage capacity in a small and portable device. Therefore, it will typically be arranged as a
32 wrap-around memory. It is cautionary to note that when memory becomes full, the
33 recording process continues with the oldest data becoming overwritten.

1 Pointers and indexers manage Recording Data Memory **594**. As such, the Recording
2 Data Memory **594** along with its pointers and indexers are non-volatile. Indexers allow a
3 Host System to request and retrieve any particular logging record via communication
4 interface. Patient recording memory is allocated in buffers of size a multiple 16, up to a 1K
5 buffer (1024 bytes). Another embodiment would store records of one size in one area of
6 memory and buffers of another size in a unique section of memory. If the measurement
7 system only contained discrete data (i.e., integers) then the buffer size could be uniformly 16
8 bytes. If, however, the data was a mix of discrete and analog information (e.g., waveforms)
9 the records might have to have buffers of mixed sizes. For example, 16-byte records might be
10 used for pulse rate and 128-byte records for ECG information.

11 Records are chronologically sequenced within regions, the lowest numbered records
12 being the oldest. The 16-byte records would contain a time stamp plus the discrete data plus
13 the PDM's internal status at the particular time stamp. Whereas a waveform record would
14 only have a timestamp and the waveform analog representation in that record. Records would
15 not have negative timestamps. A waveform record will always have a corresponding discrete
16 record associated with the waveform record. The corollary, a discrete record will always have
17 a waveform record associated with it, may not be true.

18 There is a finite amount of patient recording memory and thus the records wrap in
19 memory. That is, the eldest records are overwritten with current records when the record
20 memory area is full. The wrap points are maintained, thus creating a virtual chronologically
21 sequenced record memory.

22 The data acquisition module **42** contains logic that allows an "alarm" condition to be
23 transmitted at any time whenever the alarm criteria are fulfilled. Further, any alarm condition
24 must be reset by the health care provider by directing the Host clear the alarm through the
25 Internet and then over the wireless network. Any "sensor off" signals **62**, occurring for
26 example when a sensor is turned off, broken, or has become disconnected, is sent upon
27 occurrence. The patient is alerted to take appropriate action, such as replacing or repairing
28 the sensor. While such information is transmitted by the data acquisition module **42** to the
29 CDMA module **56** (or cellular telephone **11**) and thence to the wireless network, a voice
30 synthesizer or other sound generator also provides an audible alert to speaker **60** to the patient
31 that a particular alarm or sensor off condition has occurred.

32 As noted earlier, the patient using the PDM also has the capability to automatically
33 (or speed dial) 911 as needed. Data acquisition module **42** also processes this information

1 and passes it over a voice connection 50 to CDMA module 56 and thereafter to the wireless
2 network for communication.

3 The patient also has the ability to call 40 the medical care provider (i.e., 28) on a non-
4 emergency basis. This is accomplished by a dedicated function speed dial "button" on the
5 PDM. Again, data acquisition module 42 processes voice information 50 and passes that
6 information to the CDMA module 56. The PDM has voice call capability with use of the
7 CDMA phone. The user can instigate such calls with buttons on the PDM front panel. The
8 PDM further has an auto-dial capability. The PDM stores and accesses a table of voice call
9 phone numbers to make automatic dialing calls when the front panel buttons are depressed.
10 Likewise, the front panel buttons are also used to terminate (hang-up) a voice call. Two types
11 of automatic call dialing can be performed. A call can be made to a specifically stored voice
12 number, such as a health care provider via 40. A call 38 can also be made to emergency
13 services, such as a 911 call.

14 The data acquisition module 42 assigns priority to voice calls over CDMA data calls.
15 When a voice call is instigated by the patient, any data calls in process will be terminated. A
16 voice call instigated by the Host when data is being posted will fail until the PDM post is
17 finished. The health care provider may instigate a voice call. The PDM has logic to distinguish
18 between a CDMA Host request and a voice call.

19 As previously discussed, the data acquisition module contains logic that allows an
20 "alarm" condition be transmitted at any time whenever alarm conditions are met. In the PDM,
21 alarms and alerts cause the system to change modes and to inform the patient of the condition
22 that caused the change. Alarms relate to one or more physiological measurements falling
23 outside of set limits. As an additional safety feature the exceeded limits must persist for a
24 specified minimum duration before the condition can be declared a tripped alarm (reducing
25 false alarms).

26 Alarms are used to notify the patient and/or health care provider of patient conditions
27 that require caregiver attention. Alarms are activated when a physiological measurement
28 exceeds high or low limits for a prescribed time (persistence) period. Both the limits and the
29 persistence period for each parameter are set by the caregiver and stored in the profile. The
30 alarm for each parameter may be disabled by the caregiver with settings in the profile (See
31 detailed profile description below). Once an alarm is activated, it can only be cleared by the
32 Host. The measured parameter causing the alarm is recorded in PDM memory until the alarm

1 mode is transitioned to idle mode (See Figure 3 description). The PDM contacts the Host,
2 which in turn contacts the caregiver with information. The voice message system is activated
3 to inform the patient that an alarm condition has occurred.

4 Alerts relate to sensor errors or device hardware warning/malfunction. Alerts are used
5 to inform the patient that the system is not operating properly and that corrective action is
6 required. If an alert is in force for a measured parameter, then any alarms associated with the
7 parameter are not allowed to activate. There are two classes of alerts;(1) recoverable and (2)
8 system failures

9 Recoverable Alerts – These are alerts that may be corrected by the patient. Such an
10 alert may be caused by a detached or disconnected sensor. The alert is cleared when the
11 patient corrects the problem. Another example of a recoverable alert occurs when a PDM is
12 out of RF signal range. Again, if the patient is informed about this, the signal range condition
13 might be correctable. Still another example is ‘battery low’ which requires the patient to
14 replace the batteries. A last example occurs when the recording memory becomes close to
15 full. However, in such cases, it is the Host’s responsibility to detect this alert and perform
16 automatic measures to relieve it.

17 System Failures (or Non-Recoverable Alerts) are errors that can be associated with
18 system problems, such as memory error or RTC error. Such alerts require technical
19 intervention. The patient is must contact the caregiver via a voice call to get a replacement
20 PDM.

21 As noted above, the medical service provider or other organization that is responsible
22 for monitoring and maintaining of the PDM can interrogate **52** the data acquisition module **42**
23 of the PDM. A request for information flows from the medical care provider over the
24 Internet to the Host. The Host initiates a voice call to the PDM, which triggers the PDM to
25 establish a data call back to the Host. Alternatively, the data acquisition module can be
26 reconfigured **54** to update communications capabilities, or to change the protocol for
27 frequency of monitoring physiologic data and alarm limits.

28 The PDM can be programmed to operate according to several different operating
29 profiles. When operating, the PDM is governed by the Operating Profile in force at the time.
30 One embodiment provides for three profiles. A fourth, profile, generated internally by the
31 PDM, is the alarm profile which supercedes any other current profiles when an alarm
32 condition occurs.

1 The PDM operates on a 24-hour-period basis. An operating profile therefore contains
2 a start and stop time within the 24-hour cycle that determines when it is in force. The start
3 and stop time is expressed in minutes after midnight. The maximum in-force time can be 24
4 hours when there is 24 hour's difference between start and stop time. The 24-hour profile
5 might contain a start time of 0 and a stop time of 1440. The minimum in-force time can be 0
6 hours if start and stop times are the same. This configuration causes a profile to be inactive.
7 While Start and Stop times are specified in minutes passed midnight as based on the RTC,
8 any unambiguous start and stop time setting method will be sufficient. Profiles are set from a
9 Host device.

10 Profiles can be engaged to cover a specific portion of the day if desired. For instance:
11 Profile 1 could be assigned from midnight to 6 AM, Profile 2 could be assigned from 6AM to
12 8 PM, and Profile 3 could be assigned from 8PM to midnight. The Start and Stop time can
13 span across midnight (for example start = 10 PM, stop = 2 AM).

14 Profiles can have start and stop time overlaps during the 24-hour period, thus
15 permitting another dimension of flexibility. In such case, Profile 1 has greatest priority
16 during an overlap, and Profile 3 has least priority. Profiles can be set for a portion of the day
17 to have an absent profile assignment. When an absent profile is in force, and the unit does no
18 measurement or recording.

19 Each profile contains a control block made up of multiple parameters. The following
20 parameters and rules set comprise one embodiment of parameters, but is not meant to be a
21 limitation. A Start and Stop Time is set in minutes. A Periodic Posting Period is set in
22 minutes. The Periodic Posting Period is the periodic interval in which the PDM will attempt
23 to post data to the Host Site. An Enable/Disable switch is set for each measurement system.
24 Disable means that the particular measurement system will be put to sleep entirely while the
25 profile is in force. A Measurement Interval Time (in seconds) is provided for each
26 measurement system run by the PDM. This interval time determines the length of time
27 between a measurement recording session. A Measurement Duration Time (in seconds) is set
28 for each measurement system. For example, the ECG measurement may be data logged
29 every 20 minutes for a measurement duration of 30 seconds. For this example, the
30 measurement duration is set to 30 and the interval is set to 1200 seconds.

31 Several control block settings address alarms. Each measurement system has an
32 alarm enable/disable switch. Each alarm will have a high and low limit value. However,
33 exceptions to the limits can be set. Limits for each patient will be different, and must be

1 interpreted by a caregiver. Each alarm will have an alarm persistence time set. Persistence
2 time is the amount of time in seconds that an alarm condition must be breached continuously
3 before it is declared tripped.

4 Another control setting is an Event Mode duration time. An 'Event' is
5 discussed later in detail. When the patient pushing the Event button instigates an Event, the
6 unit enters Event Mode for the duration time, then returns back to its previous Mode. Each
7 profile contains check bytes. The check bytes must be verified on a periodic basis. It must
8 also be verified when the profile is modified.

9 The profiles of the PDM are considered vital to operation and are stored in non-
10 volatile memory. If the profiles are to be changed, the following is one embodiment for
11 executing changes to the profiles. First, the profiles are retrieved from the PDM by making a
12 Host request. Next, a check of validity is made using the check characters. Next the one or
13 more profiles are edited for any parameter changes. New check character must also be
14 provided in the profiles. A request is then made of the PDM to load the profiles. Check
15 characters should also be loaded. The PDM loads the revised profiles and check character
16 data into non-volatile memory. Flash memory usually serves as non-volatile memory. After
17 flash memory has been modified, the Host requests profile status. The PDM response is
18 checked for correct implementation of the profile changes.

19 In **Figure 3**, the PDM operational mode state transition model is illustrated.

20 The PDM operates according to four operational modes. They are: Idle Mode **200**
21 Active Mode **210**, Alarm Mode **230**, and Event Mode **220**. In Idle Mode **200**, the profiles are
22 disarmed and all alerts are disarmed. Transition to Idle Mode **200** can be initiated by the Host
23 or the local PC or laptop via a RS232 connection. A patient-initiated transition **212** to Idle
24 mode from Active mode is implemented when the patient depresses a pause key located on the
25 face of the PDM unit. Pause key implementation is regulated by the profile in effect. Further,
26 the transition to Idle Mode is of a fixed duration as set in the current profile. While the PDM is
27 in Idle mode **200** the current profile is disabled and there is no data acquisition and no
28 recoding. Further, even if in Idle mode because of a patient initiated pause, alarm and alert
29 detection are disabled. A record is stored to recording memory at the start of the Pause, hence
30 the status in the record will mark the pause. Return from Idle Mode **200** to Active mode **210**
31 occurs at pause expiration **204**.

1 Transition from an Alarm Mode to Idle Mode is via a Host request **232**. This transition
2 clears the alarm condition. Transition from Active Mode to Idle Mode, not pause key driven,
3 is achieved via RS232/Host request **214** The PDM will respond to RS232/Host request to go
4 active **202**. Idle Mode is used when it is desired to modify operational profiles, set time,
5 change the patient identification, etc. Once in Idle Mode, the PDM can only go to Active
6 Mode by RS232/Host request **202** or by Pause Expiration **204**.

7 Active Mode **210** is used whenever the PDM unit is fully performing the profile in
8 force. Alarms as governed by the profile in force may be armed. All alerts are armed. The
9 PDM can further change from Active Mode to Event mode **220** when Event Button initiated
10 transition **218** occurs or to Alarm Mode when an Alarm trip **216** occurs

11 Alarm Mode **230** operates once the unit has had an alarm trip **216** and transition occurs
12 from Event mode or Active mode. During an alarm, data is continually being measured and
13 logged. Logged data is identified as Alarm Mode data. Successive attempts are made to
14 connect with the Host Site to post data. The Host Site should always check the internal status
15 of the PDM for alarms. Voice messages or audible signals are generated during Alarm Mode.
16 The current operational profile is "locked". That is, the unit will remain at the profile in
17 which the trip occurred until the unit is forced into Idle Mode **200** by Host request **232**. The
18 alarm bits of the internal status are reset when the PDM is transitioned to Idle mode. This
19 clears any alarms.

20 Event Mode **220** begins when the patient pushes the front panel Event button **218**.
21 Event Mode **220** preempts the Active Mode **210**, but has a definite duration time when there is
22 a transition back **222** to Active Mode **210**. During Event Mode **220**, data is continually being
23 measured and logged. Logged data is identified as Event Mode data. If the patient depresses
24 the Event Mode button and the unit is already in Event Mode then this will reinitialize the
25 duration timer. Thus Event Mode duration is extended. From the Event Mode, the PDM can
26 either return to Active Mode at expiration of Duration time **222** or go to Alarm mode if there
27 is an alarm trip **216** or to Idle Mode by Host request **224**.

28 The PDM further monitors its own internal status. The PDM records: (1) the status of
29 measurement systems (active, disabled, etc.); (2) alarm status for each measurement system;
30 (3) alert status; (4) current operation mode; (5) current profile in force; (6) communication
31 signal status; and (7) recording memory status. Status will be preserved during power-down

1 periods and restored on subsequent Power-On. This preservation requirement extends to
2 abnormal power-down situations as well, such as an accidental power disconnection.

3 The PDM runs a power management system. The PDM detects low power, conserves
4 power, runs safety checks, and alarms when power is interrupted. The PDM periodically
5 monitors its battery voltage and indicates the current battery capacity at the front panel display
6 with an indicator. At least two thresholds are checked. If the battery voltage falls below the
7 first of these, then a low battery alert is active. If it falls below the second, then automatic
8 power shutdown occurs. The unit must be able to anticipate if it has enough battery capacity
9 to drive communications each time such communication is established.

10 The PDM runs a power conservation algorithm. The PDM has a modularized
11 system and sub-system architecture such that those systems that are momentary or long-term
12 idle
13 can be either shut down or low-power throttled. If the voice synthesizer is not sending
14 messages, then the voice synthesizer sub-system is shut down. If a particular measurement is
15 not
16 active, then that measurement subsystem is powered down.

17
18 Power conservation extends to the core processing system itself. Clocks and
19 peripherals within this core are powered down or throttled down, if it can be done safely.

20 Safety measures include a "watchdog" system (see 599 in figure 5), a periodic
21 crosscheck that assures that both the system clock and the RTC are operating normally. The
22 PDM additionally runs a power-ON confidence test. The PDM contains a diagnostic
23 program which can be invoked either with a special sequence of interaction with the front
24 panel, or with requests via RS232 communication request port.

25 A Power Interruption Alarm is run by the PDM. The PDM contains an independent
26 battery-powered alarm subsystem that monitors main power-on. If the main battery power to
27 the PDM is interrupted while in the power-on condition, or if the PDM watchdog is tripped,
28 then this subsystem will cause an audible alarm and set a condition in the internal status.
29 The subsystem will remain in a tripped condition until the patient resets the alarm via front
30 panel menu interaction, or the alarm is reset via a communication request.

31 The system of the present invention includes the network and can allow simultaneous
32 operation of any number of PDMs. This system is only limited by the capacity of the
33 wireless network to handle traffic. In the same fashion that a cellular telephone has a

1 roaming capability, so does the PDM, therefore allowing continual transmission and updating
2 of physiologic data.

3 In **Figure 4**, a front panel for the PDM is illustrated. The PDM has a time of day **72**
4 and a battery capacity and signal strength indicators **74** which allow the patient wearing the
5 device to determine if recharging or battery replacement is required. The patient can further
6 determine whether the signal strength of the communications channel is adequate to support
7 reliable communications. The panel **70** is dimensioned to be small and unobtrusive so that
8 the wearer will not be disproportionately burdened by carrying the PDM. The panel has
9 several speed dialing preset buttons that allow emergency calls to 911 **76** to be made and
10 calls to the care provider **78** to be made simply by the press of a button. Similarly, if the
11 wearer determines that an "event" has occurred such as faintness, shortness of breath,
12 irregular heartbeat, or other symptoms, this event button **80** can be pressed and a signal
13 generated associated with the event. A power indicator **82** is part of the panel so that the user
14 can determine that power is "on." Sensor lamp **86** is on the panel as well to inform the user
15 whether all sensors are operating or if a sensor has potentially become disconnected or has
16 otherwise malfunctioned. An alarm display **84** together with an audible signal is also present
17 on the control panel so that the patient can have both a visual and audible warning of any
18 alarm condition that might exist.

19 A Pause button **81** allows the patient to disengage from the PDM for a brief time
20 period. For example, if the patient wants to shower, the wearer depresses the pause button
21 and the operational mode will transition to Idle. The pause button invocation is ignored if an
22 Alarm or Event is in progress. Further, the current profile in effect must allow for the
23 implementation of a pause.

24 The profile in effect also provides for a pause duration. Once the pause duration is
25 exhausted, the PDM reverts to active mode. An alternative embodiment would allow the
26 PDM wearer to terminate the pause (Idle) mode prior to the allotted pause time allotment. For
27 example, the patient, having finished showering and having re-established the sensor
28 placements, would signal the PDM to become active by depressing the pause button for three
29 seconds, thus causing a transition to the active mode before the pause timeout expired.

30 Control buttons for volume **88** and mute **90** are located on the face of the PDM. A
31 Menu Button **92** present a list of menu options to the display, along with a cursor. The
32 patient may move the cursor with the Up/Down Select button **94**. He may then execute a
33 menu item with a push of the Execute button **96**. The Escape button **98** serves a way to back

1 out of a previous menu selection. Obviously, such menu selections could also be used
2 through a "touchscreen" interface.

3

4 The panel further contains a bit-mapped array LCD display **100**. The display **100**
5 provides a status of the following features: (2) time and date (military or AM/PM format);
6 (2) Current Status of the unit (operational mode, listing of pending alerts and alarms); (3)
7 Voice Call Status; (4) Error Correction Guidance Messages (when appropriate); and a (3)
8 Menu Tool Bar. From the Menu Tool Bar display, the user may configure settings to view:
9 (1) Time format (Military or AM/PM); (2) Sound Volume Up/Down; (3) Current
10 measurement value; (4) Total recording memory capacity and remaining availability; (5)
11 Voice telephone number table entry; (6) Current signal strength; (7) Profile in force with
12 start and stop times; and (8) Battery Capacity. The panel also serves as a touchscreen that
13 enables the user to select a function simply by pressing a portion of the display with his
14 fingertip.

15 The panel design shown in this **Figure 4** is by way of illustration only. It will be
16 apparent to those skilled in the art that other panel designs, including a touchscreen display,
17 are possible so long as the information is presented and transferred in an easy and useable
18 way for the patient.

19 As noted above, the communications link between the PDM and the care provider via
20 the PSTN or the Internet is a bi-directional link. Thus requests for data from a workstation
21 located at the care provider's facility can be transmitted through the Internet to the Host
22 which in turn contacts the PDM. Data (real-time or stored) can be transferred from the PDM
23 through the Internet to various databases for analysis or storage. Data from the PDM can be
24 transferred in real-time or from storage through the Internet to other authorized users such as
25 insurance providers. Alarm information is transferred from the PDM to the care provider
26 through the Internet. When a sensor malfunctions or becomes disconnected from the wearer,
27 a "sensor off" signal is sent from the PDM and transferred over the Internet to the medical
28 care provider so that such information is available and so that the patient can be assisted in
29 troubleshooting the cause of the alert. Event information, as described earlier, can be
30 transferred to the medical care provider through the Host. The medical care provider can
31 transmit a communication to disarm or reset alarms in the PDM through the Internet as
32 necessary. Further, protocols relating to the schedule and type of bio-signal to be measured
33 can be sent from the medical provider through the Internet to the PDM. The personal

1 emergency button for use to activate a call from the patient to the medical care provider or
 2 911 emergency operator provides voice communication from the PDM to and from the care
 3 provider. Real-time clock resets or any other variations in configuration of the PDM can be
 4 transmitted from the medical care provider over the Internet to the PDM.

5 In **Figure 5**, the architecture of the PDM **12A** is illustrated. Several systems and
 6 components are housed within the PDM **12A**. The PDM **12A** contains a processor **590**,
 7 memory **592**, recording data memory **594**, a power system **595**, manual reset logic **596**, a
 8 watch dog system **599**, the CDMA module **56** (previously described in Figure 2), the data
 9 acquisition module **42** (previously described in Figure 2), input/output means such as Serial
 10 port **112**, IrDA port **114**, microphone/speaker **60**, display screen **100** and keypad **110**. These
 11 systems are electronically connected to and operate the PDM **12**.

12 The processor **590** of the PDM **12** executes operating profiles, setting the PDM to
 13 various operational modes, checking internal status, setting alarm or alert conditions,
 14 recording data, and sending and receiving audio and text messages. A thirty-two bit
 15 microprocessor is used in the PDM. One example of a suitable microprocessor model is the
 16 ARM7DTMI made by ARM, Limited. The memory **592** of the PDM is used to store
 17 operating instructions executed by the processor **590**. Memory **592** further stores patient
 18 data, current status, current mode, messaging data, numbers for automatic dialing. One
 19 embodiment provides for a memory chip having 32 megabytes of storage used with the
 20 present invention, although is not meant as a limitation.

21 The PDM **12** further houses a power management system, which manages battery
 22 power and metering in a manner known to those skilled in the art.

23 In a preferred embodiment, the PDM uses an LCD touch screen display **600** as
 24 illustrated in **figure 6**. The following information is displayed on the LCD whenever it is on:

25 **TABLE 1**

26	SENSORS 602		STATUS 606
27	OK		RUN
28	OFF		EVENT
29			PAUSE
30			
31	ALARMS 604	SIGNAL 608	
32	ON	OK	
33	OFF	WEAK	

1
2
3
4
5
6
7
8
9
10
11
12
13
14
15
16
17
18
19
20
21
22
23
24
25
26
27
28
29
30
31
32
33

NONE

BATTERY 610	DATE 612	TIME 614
100%	XX-XX-XX	XX:XX AM
75%		XX:XX PM
50%		
25%		
LOW		

Two active touchscreen areas on the PDM display are allocated to YES **620** and NO **622** answers. Additional touchscreen areas **624**, **626** are allocated for use by the patient to control the volume of the beeps and audio messages. Expansion of these areas into numerical regions is also possible. Additional areas **628** and **630** are used for internally instigated PDM messages and messages requiring the users attention.

An earset tone and a room-audible beep are generated for every message, whether written or spoken. As illustrated in **Table 1**, a distinctive beep is generated for each class of message. Questions are stored in a messaging profile to be triggered at the pre-set time. Up to 20 questions can be hard-coded into the system. A "Care Manager" picks from pre-selected messages to be sent at a pre-selected time of day. It is also desirable to include a capability for caregivers to ask a custom question over the Internet. Answers to questions are transmitted only when the system does a "post" operation per profile or upon a command from the Care Manager. The system will "post" data whenever patient triggers the "Pause" button, the activation of which will idle the system for 30 minutes after each press.

Voice messaging and phone voice occur simultaneously (additive) in the earset. Pressing any of the buttons on the front panel (including the touchscreen) will cause a short beep tone (Beep #1, external) to be emitted.

Patients using the PDM are instructed to respond to all messages as they are received. The acknowledgement of an instruction (not a question) is by an input of YES **620** by the patient using the touchscreen.

In a preferred embodiment, the bi-directional communication between the sensors and voice data acquisition devices of the PDM and host server on the Internet are accomplished without use of a modem by use of a Sensor and Instrument Interface Communication Module (SIICM), disclosed in co-pending U.S. Provisional Application Serial No. 60/292,065, filed

1 May 18, 2001. The SIICM provides the data acquisition circuitry required to gather various
2 signals from sensors for a variety data (including physiologic data from the human body or
3 data from remote non-medical monitoring instrumentation) and to condition those signals for
4 interface to a variety of possible digital cellular phone or other wireless communication
5 modules which are used to transmit these data into the digital cellular network for distribution
6 on the Internet.

7 **Figure 7** is a sketch of the essential features of a Wireless Data Communicator,
8 comprised of a Sensor Instrument Interface Module **710** (SIIM) connected to a
9 Receiver/Transmitter Module **720** (RTM) which provides the wireless interface to the
10 Internet. The sensors, as noted above, can be any of a wide variety of physical and
11 biosensors generally used to detect signals or variables from the (1) human body, (2)
12 instruments, (3) equipment, (4) environment, etc. Sensors and instruments used in measuring
13 clinically relevant data are of particular interest for use in this system. Such data include
14 electrocardiogram, temperature, respiration, acceleration, audio, oximetry, blood glucose,
15 body weight, capnogram, geographic position (GPS), blood pressure, keyboard, pipeline
16 pressure, etc. The RTM can contain a variety of wireless communication protocols; e.g.,
17 CDMA, TDMA, GSM, IEEE802.11, etc.

18 Power **730** can be supplied from a variety of sources that include batteries, solar cells,
19 fuel cells, AC lines, etc. Specialized sensor interface modules can be plugged into ports **740-**
20 **746** of the SIICM to interface with a wider variety of sensors, instruments, or equipment.

21 The SIICM is designed to recognize the characteristics of the sensor, instrument, or
22 equipment to which it is attached and to encode the transmitted data in a manner that will
23 allow a central Internet database to interpret and display the data. Since the wireless data
24 communicator has two-way digital communications capability, a smart sensor interface
25 (similar to "plug and play") can be implemented either in the memory of the SIIM or the
26 SIICM can be configured remotely by commands from the central Internet database to
27 recognize the interface.

28 The preferred communication form of the present invention is disclosed in co-pending
29 U.S. Provisional Application Serial No. 60/292,068, filed May 18, 2001. In this preferred
30 system, a high-level Extensible Markup Language (XML) structure and communication
31 process is used, as disclosed below.

32 In this embodiment, the patient data monitoring is implemented for wireless
33 communications between the Host (PhDx) and the remote PDM (PDM2000) by using an

1 XML message schema, an XML transaction schema for scheduled sensor data, and an XML
2 transaction schema for acknowledgement (ACK) data.

3 XML Message Schema

4 The XML schema used to validate the high-level XML message structure is shown
5 below:

```
6 <?xml version="1.0"?>
7 <Schema
8     name="PhDxPDM2000MSGSchema"
9     xmlns="urn:schemas-microsoft-com:xml-data"
10    xmlns:dt="urn:schemas-microsoft-com:datatypes">
11
12    <ElementType name='MSG' content='eltOnly'>
13        <element type='MID' minOccurs='1' maxOccurs='1' />
14        <element type='MDT' minOccurs='1' maxOccurs='1' />
15        <element type='MTY' minOccurs='1' maxOccurs='1' />
16        <element type='CMM' minOccurs='1' maxOccurs='1' />
17        <element type='CID' minOccurs='1' maxOccurs='1' />
18        <element type='EID' minOccurs='1' maxOccurs='1' />
19        <element type='RID' minOccurs='1' maxOccurs='1' />
20        <element type='TCT' minOccurs='1' maxOccurs='1' />
21        <element type='TRA' minOccurs='1' maxOccurs='*' />
22    </ElementType>
23
24    <ElementType name='MID' content='textOnly' dt:type='int' />
25    <ElementType name='MDT' content='textOnly' dt:type='dateTime' />
26    <ElementType name='MTY' content='textOnly' dt:type='int' />
27    <ElementType name='CMM' content='textOnly' dt:type='int' />
28    <ElementType name='CID' content='textOnly' dt:type='int' />
29    <ElementType name='EID' content='textOnly' dt:type='int' />
30    <ElementType name='RID' content='textOnly' dt:type='int' />
31    <ElementType name='TCT' content='textOnly' dt:type='int' />
32    <ElementType name='TRA' content='eltOnly'>
33        <element type='TID' minOccurs='1' maxOccurs='1' />
34        <element type='TCD' minOccurs='1' maxOccurs='1' />
35        <element type='TVL' minOccurs='1' maxOccurs='1' />
36    </ElementType>
37
38    <ElementType name='TID' content='textOnly' dt:type='int' />
39    <ElementType name='TCD' content='textOnly' dt:type='int' />
```

```

1      <ElementType name='TVL' content='eltOnly' />
2 </Schema>

```

3

4 XML Transaction Schema - Scheduled Sensor Data

5 The XML schema used to validate the lower-level XML transaction structure for a
6 scheduled sensor data post is shown below. A separate schema exists for each of the
7 different transaction types.

8

```
9 <?xml version="1.0"?>

```

```
10 <Schema

```

```
11     name="PDM2000Schema_POSTSCHEDULEDSENSORDATA"

```

```
12     xmlns="urn:schemas-microsoft-com:xml-data"

```

```
13     xmlns:dt="urn:schemas-microsoft-com:datatypes">

```

14

```
15     <ElementType name='TVL' content='eltOnly'>

```

```
16         <element type='TVO' minOccurs='1' maxOccurs='1' />

```

```
17         <element type='TVT' minOccurs='1' maxOccurs='1' />

```

```
18         <element type='TVH' minOccurs='1' maxOccurs='1' />

```

```
19         <element type='DSS' minOccurs='1' maxOccurs='1' />

```

```
20         <element type='DES' minOccurs='1' maxOccurs='1' />

```

```
21     </ElementType>

```

22

```
23     <ElementType name='TVO' content='textOnly' dt:type='int' />

```

```
24     <ElementType name='TVT' content='textOnly' dt:type='float' />

```

```
25     <ElementType name='TVH' content='textOnly' dt:type='int' />

```

```
26     <ElementType name='DSS' content='textOnly' dt:type='bin.hex' />

```

```
27     <ElementType name='DES' content='eltOnly'>

```

```
28         <element type='CCC' minOccurs='1' maxOccurs='1' />

```

```
29         <element type='CBC' minOccurs='1' maxOccurs='1' />

```

```
30         <element type='TSI' minOccurs='1' maxOccurs='1' />

```

```
31         <element type='OSI' minOccurs='1' maxOccurs='1' />

```

```
32         <element type='PAC' minOccurs='1' maxOccurs='1' />

```

```
33         <element type='CER' minOccurs='1' maxOccurs='1' />

```

```
34         <element type='PRF' minOccurs='1' maxOccurs='1' />

```

```
35         <element type='MOD' minOccurs='1' maxOccurs='1' />

```

```
36         <element type='PAU' minOccurs='1' maxOccurs='1' />

```

```
37     </ElementType>

```

38

```

1           <ElementType name='CCC' content='textOnly'
2 dt:type='int' />
3           <ElementType name='CBC' content='textOnly'
4 dt:type='int' />
5           <ElementType name='TSI' content='textOnly'
6 dt:type='int' />
7           <ElementType name='OSI' content='textOnly'
8 dt:type='int' />
9           <ElementType name='PAC' content='textOnly'
10 dt:type='int' />
11          <ElementType name='CER' content='textOnly'
12 dt:type='int' />
13          <ElementType name='PRF' content='textOnly'
14 dt:type='int' />
15          <ElementType name='MOD' content='textOnly'
16 dt:type='int' />
17          <ElementType name='PAU' content='textOnly'
18 dt:type='int' />
19
20 </Schema>

```

21

22 *Example - Scheduled Sensor Data Post*

23 The scheduled sensor data transaction posts the personal sensor measurements (taken
24 as scheduled by the PDM's internal sensor profile settings) from the PDM to the server. As
25 shown in the table below, this transaction contains the sensor values, the device standard
26 status, and the device extended status.

27 The full set of message tags is as follows:

```

28 <MSG>
29     <MID>MESSAGE_ID</MID>
30     <MDT>MESSAGE_DATE</MDT>
31     <MTY>DATAPOSTSET</MTY>
32     <CMM>COMM_MODE</CMM>
33     <CID>CLIENT_ID</CID>
34     <EID>EXTERNAL_ID</EID>
35     <RID>0</RID>
36     <TCT>1</TCT>
37     <TRA>
38         <TID>TRANSACTION_ID</TID>

```

```

1          <TCD>SCHEDULED_SENSOR_DATAPOST</TCD>
2          <TVL>
3              <TVO>100</TVO>
4              <TVT>98.6</TVT>
5              <TVH>75</TVH>
6              <DSS>PDM_STANDARD_STATUS_16_BYTE_RECORD</DSS>
7              <DES>
8                  <CCC>0</CCC>
9                  <CBC>0</CBC>
10                 <TSI>0</TSI>
11                 <OSI>0</OSI>
12                 <PAC>0</PAC>
13                 <CER>0</CER>
14                 <PRF>0</PRF>
15                 <MOD>0</MOD>
16                 <PAU>0</PAU>
17             </DES>
18         </TVL>
19     </TRA>
20 </MSG>

```

22 XML Transaction Schema - Acknowledgement (ACK)

23 The XML schema used to validate the lower-level XML transaction structure for a
24 message acknowledgement (ACK) is shown below. A separate schema exists for each of the
25 different transaction types.

```

26 <?xml version="1.0"?>
27 <?xml version="1.0"?>
28
29 <Schema
30     name="PDM2000Schema_ACK"
31     xmlns="urn:schemas-microsoft-com:xml-data"
32     xmlns:dt="urn:schemas-microsoft-com:datatypes">
33
34     <ElementType name='TVL' content='eltOnly'>
35         <element type='VAL' minOccurs='1' maxOccurs='1' />
36     </ElementType>
37     <ElementType name='VAL' content='textOnly' dt:type='string' />
38
39 </Schema>

```

1 *Example - The Acknowledge (ACK) Message*

2 The Acknowledge (ACK) message is defined as follows:

```

3 <MSG>
4 <MID>MESSAGE_ID</MID>
5 <MDT>MESSAGE_DATE</MDT>
6 <MTY>ACK</MTY>
7 <CMM>COMM_MODE</CMM>
8 <CID>CLIENT_ID</CID>
9 <EID>EXTERNAL_ID</EID>
10 <RID>REFERENCE_MESSAGE_ID</RID>
11 <TCT>1</TCT>
12 <TRA>
13 <TID>TRANSACTION_ID</TID>
14 <TCD>ACKTRAN</TCD>
15 <TVL>
16 <VAL>VALUE</VAL>
17 </TVL>
18 </TRA>
19 </MSG>

```

21 *Message Types and Communication Modes Data Flow*

22 The following tables 2-3 enumerate by message type and communications mode each
23 of the allowable transactions and their responses. Items marked "N/A" in the comment
24 column will not be implemented in PDM2000 and are included here only for sake of
25 completeness.

27 **TABLE 2 - PDM TO SERVER**

29	MSG	COMM	TRAN		
30	TYPE	MODE	CODE	RESPONSE	COMMENT
31					
32	DataPostSet (PDM to Server)				
33		Cont		N/A*	
34		Stop		N/A*	

1	More	ACK/NAK	
2	None	ACK/NAK	
3		Post scheduled sensor data	
4		Post requested sensor data	
5		Post exception sensor data	
6		Post scheduled messaging response	
7		Post requested messaging response	N/A*
8		Post protocol and messaging profile block	
9		Protocol settings	
10		Messaging profile settings	
11		CRC	
12		Post operational mode and status	
13		Post non-profile device settings	N/A*
14		Post call statistics	N/A*
15		Post exception other data (multiple types)	e.g. profile failed
16		Post scheduled sensor data failure	
17		Post requested sensor data failure	
18		Post scheduled messaging item failure	
19		Post requested messaging item failure	N/A*
20		(Note: Alarms not in COPD)	
21			
22	Inquiry (PDM to Server)		
23	Cont	InstructionSet	
24	Stop		N/A*
25	More		N/A*
26	None		N/A*
27		Inquiry transaction	
28		(Note: PDM never sends an Inquiry if it has data to send itself)	
29			
30	ACK - Message Confirmation - (PDM to Server)		
31	Cont	InstructionSet	Response to InstructionSet +
32	More		
33	Stop		N/A*

1	More	ACK + Cont	PDM now has data to send
2	None	Goodbye	Response to InstructionSet +
3	None		
4		Confirmation transaction	
5			
6	NAK - Message Failure - (PDM to Server)		
7	Cont	Resend message	Try to resend reference message
8	Stop	ACK + More / ACK + None	Stop sending reference message
9			Server checks for other messages
10	More	ACK + Cont	PDM now has data to send
11	None		N/A*
12		Failure transaction	
13		(Note: Error information is in Transaction Value)	
14			
15	Goodbye (PDM to Server)		
16	Cont		N/A*
17	Stop	Goodbye	End message session
18	More		N/A*
19	None		N/A*
20		Goodbye transaction	

TABLE 3 - SERVER TO PDM

24	MSG	COMM	TRAN	
25	TYPE	MODE	CODE	RESPONSE COMMENT
26				
27	InstructionSet (Server to PDM)			
28		Cont		N/A*
29		Stop		N/A*
30		More	ACK/NAK	
31		None	ACK/NAK	
32		Set protocol and messaging profile block		
33		Protocol settings		

1		Messaging profile settings	
2		CRC	
3		Send protocol and messaging profile block	
4		Send requested sensor data	
5		Perform requested messaging item	N/A*
6		Set non-profile device settings	N/A*
7		Send non-profile device settings data	N/A*
8		Set operational mode & current status	
9		Send operational mode & current status	
10		Set call statistics (reset)	N/A*
11		Send call statistics	N/A*
12		Set no server message pending	Server has no messages to send
13			
14		ACK - Message Confirmation (Server to PDM)	
15	Cont	DataPostSet	Response to DataPostSet + More
16	Stop		N/A*
17	More	Inquiry (usually)	Response to DataPostSet + None
18			Server has messages
19	None	Goodbye (usually)	Response to DataPostSet + None
20			Server has no messages
21		Confirmation transaction	
22		(Note: PDM ends all sessions. Server interrupt not used)	
23			
24		NAK - Message Failure (Server to PDM)	
25	Cont		N/A*
26	Stop		N/A*
27	More	Resend message or Stop	Server has messages
28	None	Resend message or Stop	Server has no messages
29		Failure transaction	
30		(Note: Error information is in Transaction Value)	
31			
32		Goodbye (Server to PDM)	
33	Cont	No response required	Normal end of message session

1	Stop	N/A*
2	More	N/A*
3	None	N/A*

4 Goodbye transaction

5 (Note: PDM ends all sessions. Server interrupt not used)

6

7 Although, in a typical embodiment, the PDM of the present invention will be patient-
8 worn and will monitor sensors attached to the patient, the PDM can also interface external
9 devices that a patient can interact with for sensing medically relevant data, such as blood
10 glucose monitors, scales, etc. The PDM can interface with these external devices in any
11 known manner, such as by a wired connection that plugs in to the PDM or by wireless means,
12 such as Bluetooth, IrDA, and IEEE 802.11 protocols.

13 In a basic embodiment, voice communication capabilities and the PSTN link can be
14 omitted. In another embodiment, voice communications can be provided between the patient
15 and caregiver by voice-over-IP technology in order to eliminate the PSTN link.

16 A Wireless Internet Bio-telemetry Monitoring System has now been illustrated. It is
17 important to note that, while a particular wireless protocol was described in the preferred
18 embodiment (i.e., CDMA) this is not meant as a limitation. For example, other protocols for
19 communication in a wireless network (such as a GSM, PCS or TDMA) will be equally
20 suitable for use with the present invention. It is also anticipated that other types of wireless
21 networks will also be suitable, such as satellite networks and wireless local loop networks.
22 The requirement is that there be two-way communication with the PDM and that Internet
23 connectivity flow as part of the communication system to allow interaction between health
24 care provider and the patient via voice and via the Internet. It will be apparent to those
25 skilled in the art that other variations in, for example and without limitation, the type of
26 network, the type of bio-sensor, and the configuration of the patient monitor can be
27 accomplished without departing from the scope of the invention as disclosed.

1 We claim:

- 2 1. A system for remotely monitoring patient variables comprising:
3 at least one sensor means for acquiring medically relevant data from a
4 patient;
5 a patient-wearable monitoring unit connected to the sensor;
6 said patient-wearable monitoring unit comprising a processor and further
7 comprising
8 a wireless communication device connected to a first wireless network,
9 wherein said first wireless network is adapted to send and receive
10 communications over the Internet;
11 a Host data archive connected to the Internet to communicate with the
12 patient-worn monitoring unit;
13 a medical care provider terminal means connected to the second
14 network for communication in a bi-directional manner between a medical care
15 provider and the patient-worn monitoring unit over said first network.
- 16 2. The system for remotely monitoring patient variables of claim 1 wherein the
17 communication with the patient worn monitoring unit is bi-directional data
18 communication.
- 19 3. The system for remotely monitoring patient variables of claim 1 wherein the
20 communication with the patient worn monitoring unit is bi-directional voice
21 communication.
- 22 4. The system for remotely monitoring patient variables of claim 1 wherein the at
23 least one sensor is a patient-worn multi-variable patient monitor.
- 24 5. The system for remotely monitoring patient variables of claim 2 wherein the
25 *bi-directional data communication further comprises instructions from the*
26 *medical care provider terminal to change configurable program instructions in*
27 *the processor of the patient worn monitoring unit.*
- 28 6. The system for remotely monitoring patient variables of claim 5 wherein the
29 instructions to change configurable program instructions comprises
30 instructions to change alarm limits.
- 31 7. The system for remotely monitoring patient variables of claim 5 wherein the
32 instructions to change configurable program instructions comprises

- 1 instructions to change data collection parameters for the at least one patient
2 worn sensor.
- 3 8. The system for remotely monitoring patient variables of claim 3 wherein the
4 bi-directional voice communications comprises voice-over-IP communications
5 with a medical care provider professional.
- 6 9. The system for remotely monitoring patient variables of claim 8 wherein the at
7 least one sensor is a patient-worn multi-variable patient monitor and further
8 comprises a microphone and a speaker for transmitting voice communications.
- 9 10. The system for remotely monitoring patient variables of claim 3, further
10 comprising a second network connected to said first wireless network and said
11 medical care provider terminal means to *transmit bi-directional voice*
12 *communications*.
- 13 11. The system for remotely monitoring patient variables of claim 10 wherein the
14 second network is a PSTN.
- 15 12. The system for remotely monitoring patient variables of claim 1 wherein said
16 at least one sensor is wirelessly connected to said patient-wearable monitoring
17 unit.
- 18 13. The system for remotely monitoring patient variables of claim 1 wherein said
19 at least one sensor is a device for monitoring physiologic, biochemical or
20 biometric variables.
- 21 14. The system for remotely monitoring patient variables of claim 1 wherein
22 the processor of the patient-worn monitoring unit further comprises a
23 conversion means for adapting data transmission for multiple platforms.
- 24 15. The system for remotely monitoring patient variables of claim 14 wherein the
25 conversion means adapts data transmission for CDMA Periodic Post, CDMA
26 Host Request, and RS232 Slave Request platforms.
- 27 16. The system for remotely monitoring patient variables of claim 1 further
28 comprising a Host server connected to the Internet for communicating with the
29 patient-wearable monitoring unit and the medical care provider terminal in a
30 bi-directional manner.
- 31 17. The system for remotely monitoring patient variables of claim 16 wherein the
32 patient-wearable monitoring unit includes instructions to post data to the Host
33 server at a web site.

- 1 18. The system for remotely monitoring patient variables of claim 16 wherein the
2 Host server includes instructions to initiate a voice call to a specific patient-
3 wearable monitoring unit.
- 4 19. The system for remotely monitoring patient variables of claim 16 including
5 means for the patient to initiate a voice call to a medical care provider.
- 6 20. The system for remotely monitoring patient variables of claim 16 including
7 means for the patient to initiate a voice call to 911.
- 8 21. The system for remotely monitoring patient variables of claim 1 wherein the
9 patient-wearable monitoring unit is connected to a personal computer and the
10 personal computer is connected to the Internet.
- 11 22. The system for remotely monitoring patient variables of claim 21 wherein a
12 service computer is connected to the Internet and includes software to perform
13 testing and repair of the patient-wearable monitoring unit over the second
14 network.
- 15 23. The system for remotely monitoring patient variables of claim 22 wherein the
16 service computer includes instructions to download software programs to the
17 patient-wearable monitoring unit over the Internet.
- 18 24. The system for remotely monitoring patient variables of claim 16 wherein the
19 conversion means adapts data transmission for multiple platforms in an
20 encrypted format.
- 21 25. The system for remotely monitoring patient variables of claim 16 wherein the
22 Host server includes instructions to periodically retrieve continuous real-time
23 waveform data from the patient-wearable monitoring unit.
- 24 26. The system for remotely monitoring patient variables of claim 16 wherein the
25 patient-wearable monitoring unit includes instructions to store and execute an
26 operating profile.
- 27 27. The system for remotely monitoring patient variables of claim 26 including
28 means for the operating file to be downloaded from the Host server.
- 29 28. The system for remotely monitoring patient variables of claim 26 wherein the
30 operating file further comprises a control block assigning time periods and
31 cycles for each monitored patient variable.

- 1 29. The system for remotely monitoring patient variables of claim 26 wherein the
2 operating file further comprises an enable/disable instruction for each
3 monitored patient variable.
- 4 30. The system for remotely monitoring patient variables of claim 16 wherein the
5 patient-wearable monitoring unit includes an operational mode.
- 6 31. The system for remotely monitoring patient variables of claim 30 wherein the
7 operational mode is selected from the group consisting of: Idle Mode, Active
8 Mode, Alarm Mode, and Event Mode.
- 9 32. The system for remotely monitoring patient variables of claim 16 wherein the
10 patient-wearable monitoring unit includes instructions to store internal status
11 indicators of the patient-wearable monitoring unit at all times.
- 12 33. The system for remotely monitoring patient variables of claim 32 further
13 comprising the internal status indicators of measurement status, alarm status,
14 alert status current operation mode, current operating profile, communication
15 signal status, and memory status.
- 16 34. The system for remotely monitoring patient variables of claim 1 wherein the
17 processor includes logic and instructions to set an Alarm mode.
- 18 35. The system for remotely monitoring patient variables of claim 34 wherein the
19 processor sets the Alarm mode when a measurement exceeds set limits.
- 20 36. The system for remotely monitoring patient variables of claim 1 wherein the
21 patient-wearable monitoring unit includes instructions to contact the Host,
22 which in turn includes instructions to contact the medical care provider in
23 response to an Alarm mode being set.
- 24 37. The system for remotely monitoring patient variables of claim 34 wherein the
25 processor sets the Alarm mode when a measurement is not received by the
26 Host server.
- 27 38. The system for remotely monitoring patient variables of claim 8 wherein voice
28 messaging is assigned priority by the processor according to the type of
29 message being sent.
- 30 39. The system for remotely monitoring patient variables of claim 16 including a
31 power management program for execution by the processor.
- 32 40. The system for remotely monitoring patient variables of claim 16, further
33 comprising a touchscreen on said patient-wearable monitoring unit and

- 1 instructions for said processor to provide bi-directional text messaging
2 between said patient-wearable monitoring unit and said Host server.
- 3 41. A method for remotely monitoring patient variables comprising:
4 supplying a patient with a patient a patient-wearable monitoring unit
5 connected to at least one sensor; wherein the patient-wearable monitoring unit
6 includes a processor and further includes a wireless communication device to
7 connect to a first wireless network;
8 the monitoring unit sending and receiving communications with the
9 first wireless network; and
10 the wireless network sending and receiving communications from a
11 medical care provider over the Internet so as to communicate in a bi-
12 directional manner with the monitoring unit over first network.
- 13 42. The method for remotely monitoring patient variables of claim 41 wherein the
14 communication with the monitoring unit is bi-directional data communication.
- 15 43. The method for remotely monitoring patient variables of claim 41 wherein the
16 communication with the monitoring unit is bi-directional voice
17 communication selected from voice-over-IP via the Internet or voice
18 communication over a second network between said first wireless network and
19 the medical care provider.
- 20 44. The method for remotely monitoring patient variables of claim 43 wherein
21 said second network is a PSTN.
- 22 45. The method for remotely monitoring patient variables of claim 41 wherein
23 said at least one sensor is a patient-worn multi-variable patient monitor.
- 24 46. The method for remotely monitoring patient variables of claim 42 wherein the
25 bi-directional data communication is from a medical care provider terminal
26 and changes configurable program instructions in the processor of the
27 monitoring unit.
- 28 47. The method for remotely monitoring patient variables of claim 46 wherein the
29 change to configurable program instructions comprises instructions to change
30 alarm limits or data collection parameters.
- 31

- 1 48. The method for remotely monitoring patient variables of claim 45 wherein
2 said at least one sensor further comprises a microphone and a speaker used for
3 transmitting voice communications.
- 4 49. The method for remotely monitoring patient variables of claim 41 further
5 comprising wirelessly connecting said at least one sensor to said monitoring
6 unit.
- 7 50. The method for remotely monitoring patient variables of claim 41 further
8 comprising selecting said at least one sensor from devices for monitoring
9 physiologic, biochemical or biometric variables.
- 10 51. The method for remotely monitoring patient variables of claim 41 wherein the
11 processor of the monitoring unit further adapts data transmission for multiple
12 platforms.
- 13 52. The method for remotely monitoring patient variables of claim 51 wherein the
14 multiple platforms are CDMA Periodic Post, CDMA Host Request, and
15 RS232 Slave Request platforms.
- 16 53. The method for remotely monitoring patient variables of claim 41 further
17 comprising connecting a Host server to the second network for communicating
18 with the monitoring unit and a medical care provider terminal in a bi-
19 directional manner.
- 20 54. The method for remotely monitoring patient variables of claim 53 wherein the
21 monitoring unit posts data to the Host server at a web site.
- 22 55. The method for remotely monitoring patient variables of claim 53 wherein the
23 Host server initiates a voice call to a specific monitoring unit.
- 24 56. The method for remotely monitoring patient variables of claim 53 wherein the
25 patient initiates a voice call to a medical care provider.
- 26 57. The method for remotely monitoring patient variables of claim 53 wherein the
27 patient initiates a voice call to 911.
- 28 58. The method for remotely monitoring patient variables of claim 41 further
29 comprising connecting the monitoring unit to a personal computer and the
30 personal computer to the Internet.
- 31 59. The method for remotely monitoring patient variables of claim 58 further
32 comprising connecting a service computer to the Internet and performing
33 testing and repair of the monitoring unit over the second network.

- 1 60. The method for remotely monitoring patient variables of claim 59 wherein the
2 service computer downloads software programs to the monitoring unit over
3 the Internet.
- 4 61. The method for remotely monitoring patient variables of claim 53 wherein the
5 processor adapts data transmission for multiple platforms in an encrypted
6 format.
- 7 62. The method for remotely monitoring patient variables of claim 53 wherein the
8 Host periodically retrieves continuous real-time waveform data from the
9 monitoring unit.
- 10 63. The method for remotely monitoring patient variables of claim 53 wherein the
11 monitoring unit stores and executes an operating profile.
- 12 64. The method for remotely monitoring patient variables of claim 63 wherein the
13 operating file is downloaded from the Host server.
- 14 65. The method for remotely monitoring patient variables of claim 63 wherein the
15 operating file further includes a control block assigning time periods and
16 cycles for each monitored patient variable.
- 17 66. The method for remotely monitoring patient variables of claim 63 wherein the
18 operating file further includes an enable/disable instruction for each monitored
19 patient variable.
- 20 67. The method for remotely monitoring patient variables of claim 53 further
21 comprising setting the monitoring unit to an operational mode.
- 22 68. The method for remotely monitoring patient variables of claim 67 wherein the
23 operational mode is selected from the group consisting of: Idle Mode, Active
24 Mode, Alarm Mode, and Event Mode.
- 25 69. The method for remotely monitoring patient variables of claim 53 wherein the
26 monitoring unit stores internal status indicators of the monitoring unit at all
27 times.
- 28 70. The method for remotely monitoring patient variables of claim 69 further
29 comprising storing the internal status indicators of measurement status, alarm
30 status, alert status current operation mode, current operating profile,
31 communication signal status, and memory status.
- 32 71. The method for remotely monitoring patient variables of claim 41 wherein the
33 processor sets an Alarm mode.

- 1 72. The method for remotely monitoring patient variables of claim 71 wherein the
2 processor sets the Alarm mode when a measurement exceeds set limits.
- 3 73. The method for remotely monitoring patient variables of claim 41 wherein the
4 monitoring unit contacts the Host server, which in turn contacts the medical
5 care provider in response to an Alarm mode being set.
- 6 74. The method for remotely monitoring patient variables of claim 73 wherein the
7 processor sets the Alarm mode when a measurement is not received by the
8 Host server.
- 9 75. The method for remotely monitoring patient variables of claim 43 wherein
10 voice messaging is assigned priority by the processor according to the type of
11 message being sent.
- 12 76. The method for remotely monitoring patient variables of claim 53 wherein the
13 processor executes a power management program.
- 14 77. The method for remotely monitoring patient variables of claim 53, further
15 comprising providing a touchscreen on said monitoring unit and instructions
16 for said processor to provide bi-directional text messaging between said
17 monitoring unit and said Host server.
- 18 78. A system for remotely monitoring patient variables, comprising:
19 at least one patient-worn sensor;
20 a patient-worn monitoring unit connected to the sensor;
21 said patient-worn monitoring unit comprising a processor and further
22 comprising
23 a wireless communication device connected to a first wireless network, wherein said
24 first wireless network is adapted to send and receive communications over the
25 Internet;
26 a Host data archive connected to the Internet to communicate with the patient-
27 worn monitoring unit;
28 a second network connected to the Internet and first wireless network;
29 a terminal means connected to the second network for communication in a bi-
30 directional manner between a medical care provider and the patient-worn monitoring
31 unit over said second and first networks.

- 1 79. The system for remotely monitoring patient variables of claim 78, wherein the
2 communication with the patient-worn monitoring unit is bi-directional data
3 communication.
- 4 80. The system for remotely monitoring patient variables of claim 78 wherein the
5 communication with the patient-worn monitoring unit is bi-directional voice
6 communication.
- 7 81. The system for remotely monitoring patient variables of claim 79 wherein the
8 bi-directional data communication further comprises instructions from the
9 health care provider terminal to change configurable program instructions in
10 the monitoring unit processor.
- 11 82. The system for remotely monitoring patient variables of claim 81 wherein the
12 instructions to change configurable program instructions comprises
13 instructions to change alarm limits.
- 14 83. The system for remotely monitoring patient variables of claim 81 wherein the
15 instructions to change configurable program instructions comprises
16 instructions to change data collection parameters for the at least one sensor.
- 17 84. The system for remotely monitoring patient variables of claim 80 wherein the
18 bi-directional voice communications comprises voice communications with a
19 health care provider professional.
- 20 85. The system for remotely monitoring patient variables of claim 84 wherein the
21 sensor further comprises a microphone for allowing voice communications.
- 22 86. The system for remotely monitoring patient variables of claim 85 wherein bi-
23 directional voice communications occurs via the microphone and a speaker
24 contained in the patient-worn monitoring unit.
- 25 87. The system for remotely monitoring patient variables of claim 78 wherein the
26 second network is a PSTN.
- 27 88. The system for remotely monitoring patient variables of claim 78 wherein the
28 sensor is a bio-sensor.
- 29 89. A method for remotely monitoring patient variables, comprising:
30 attaching at least one patient-worn sensor to a patient;
31 providing a patient-worn monitoring unit connected to the sensor, wherein
32 said patient-worn monitoring unit includes a processor and a wireless communication
33 device connected to a first wireless network;

1 said patient-worn monitoring unit sending and receiving communications over
2 the Internet via said first wireless network;

3 providing a Host data archive connected to the Internet to communicate with
4 the patient-worn monitoring unit;

5 connecting a second network to the Internet and said first wireless network;

6 connecting a terminal to the second network for communication in a bi-
7 directional manner between a medical care provider and the patient-worn monitoring
8 unit over said second and first networks.

9 90. The method for remotely monitoring patient variables of claim 89, wherein the
10 communication with the patient-worn monitoring unit is bi-directional data
11 communication.

12 91. The method for remotely monitoring patient variables of claim 89, wherein the
13 communication with the patient-worn monitoring unit is bi-directional voice
14 communication.

15 92. The method for remotely monitoring patient variables of claim 90, wherein the
16 bi-directional data communication sends instructions from the health care
17 provider terminal to change configurable program instructions in the
18 monitoring unit processor.

19 93. The method for remotely monitoring patient variables of claim 92, wherein the
20 instructions sent to change configurable program instructions change alarm
21 limits.

22 94. The method for remotely monitoring patient variables of claim 92, wherein the
23 instructions sent to change configurable program instructions change data
24 collection parameters for the at least one sensor.

25 95. The method for remotely monitoring patient variables of claim 91, wherein the
26 bi-directional voice communications send and receive voice communications
27 with a health care provider professional.

28 96. The method for remotely monitoring patient variables of claim 95, further
29 comprising providing a microphone for allowing voice communications.

30 97. The method for remotely monitoring patient variables of claim 96, further
31 comprising using the microphone and a speaker contained in the patient-worn
32 monitoring unit to provide bi-directional voice communications.

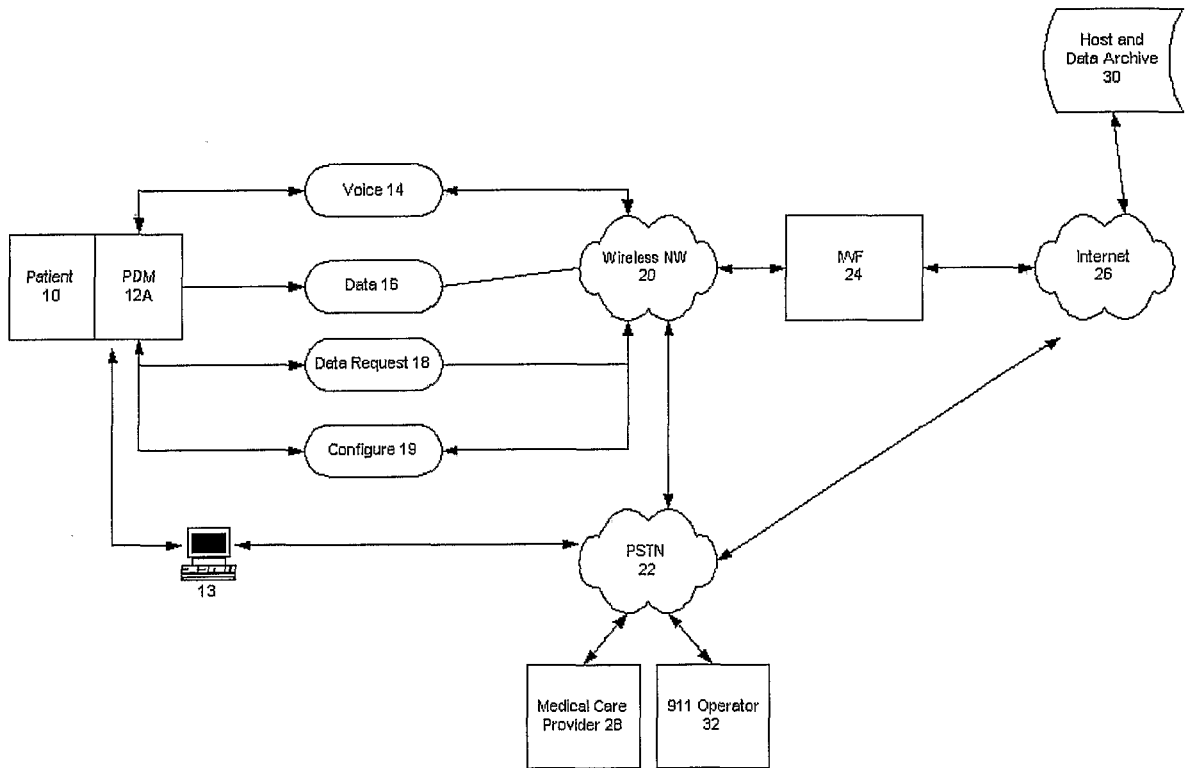


Figure 1A

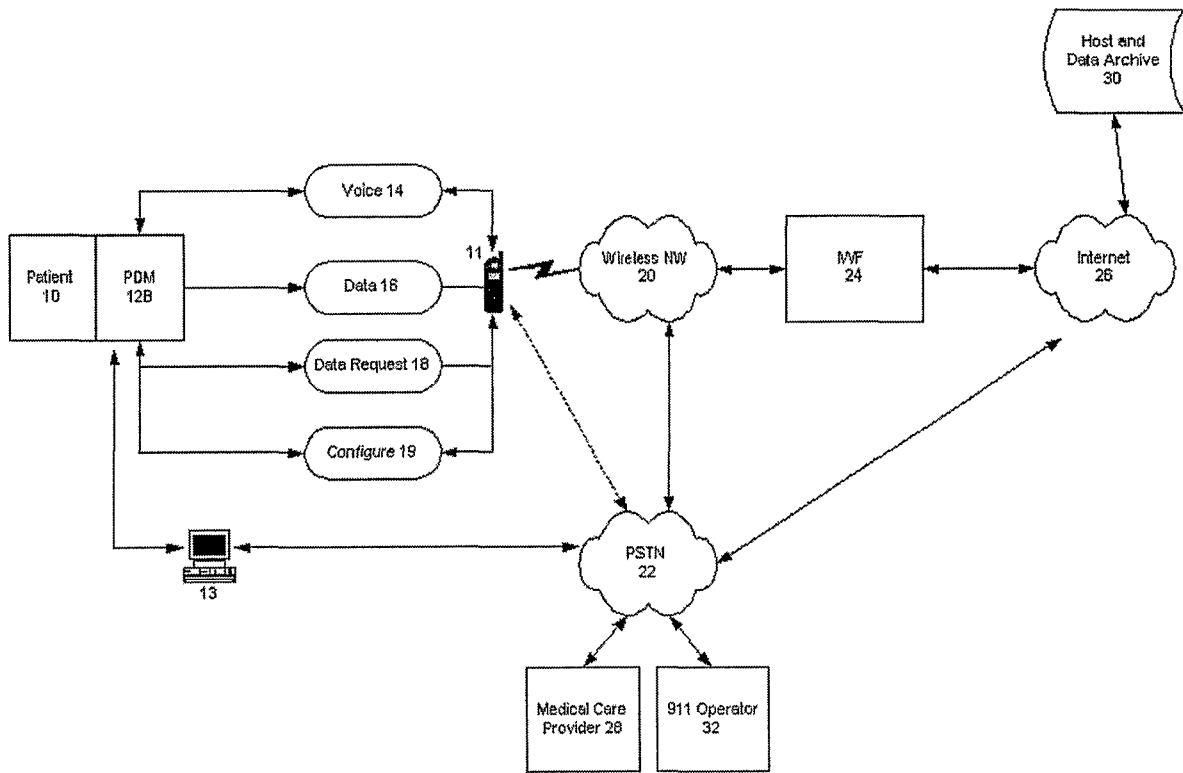


Figure 1B

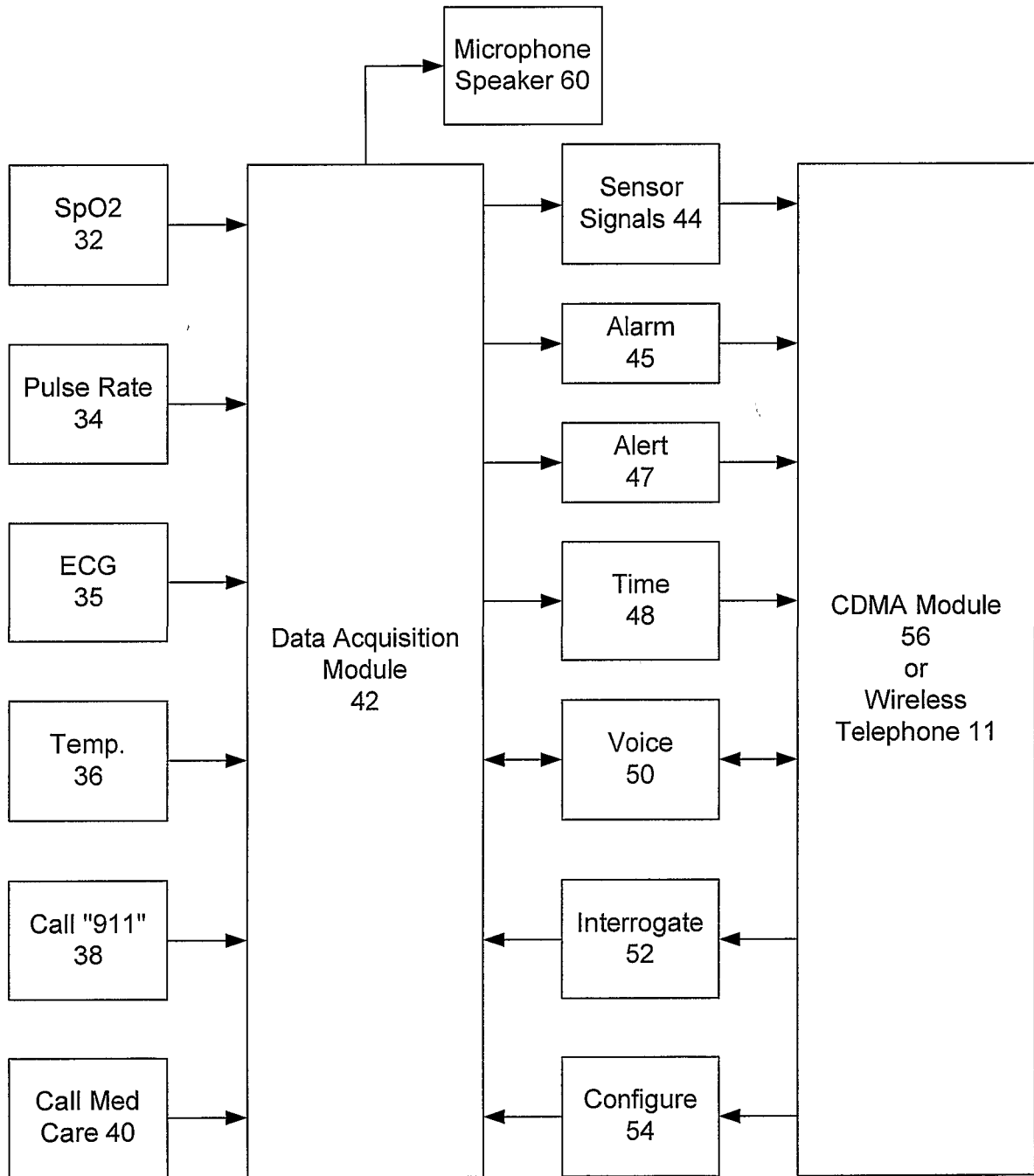


Figure 2

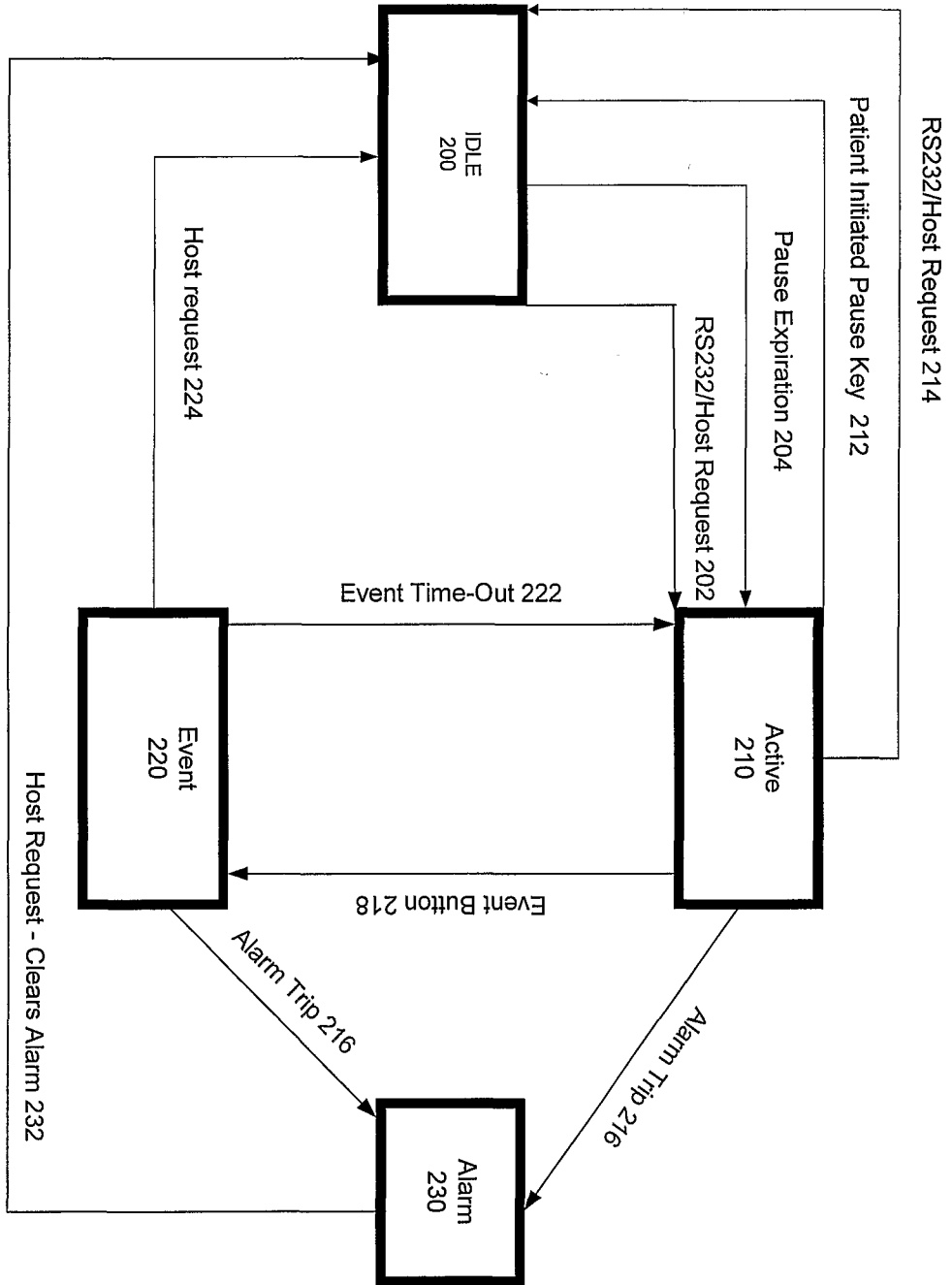


Figure 3

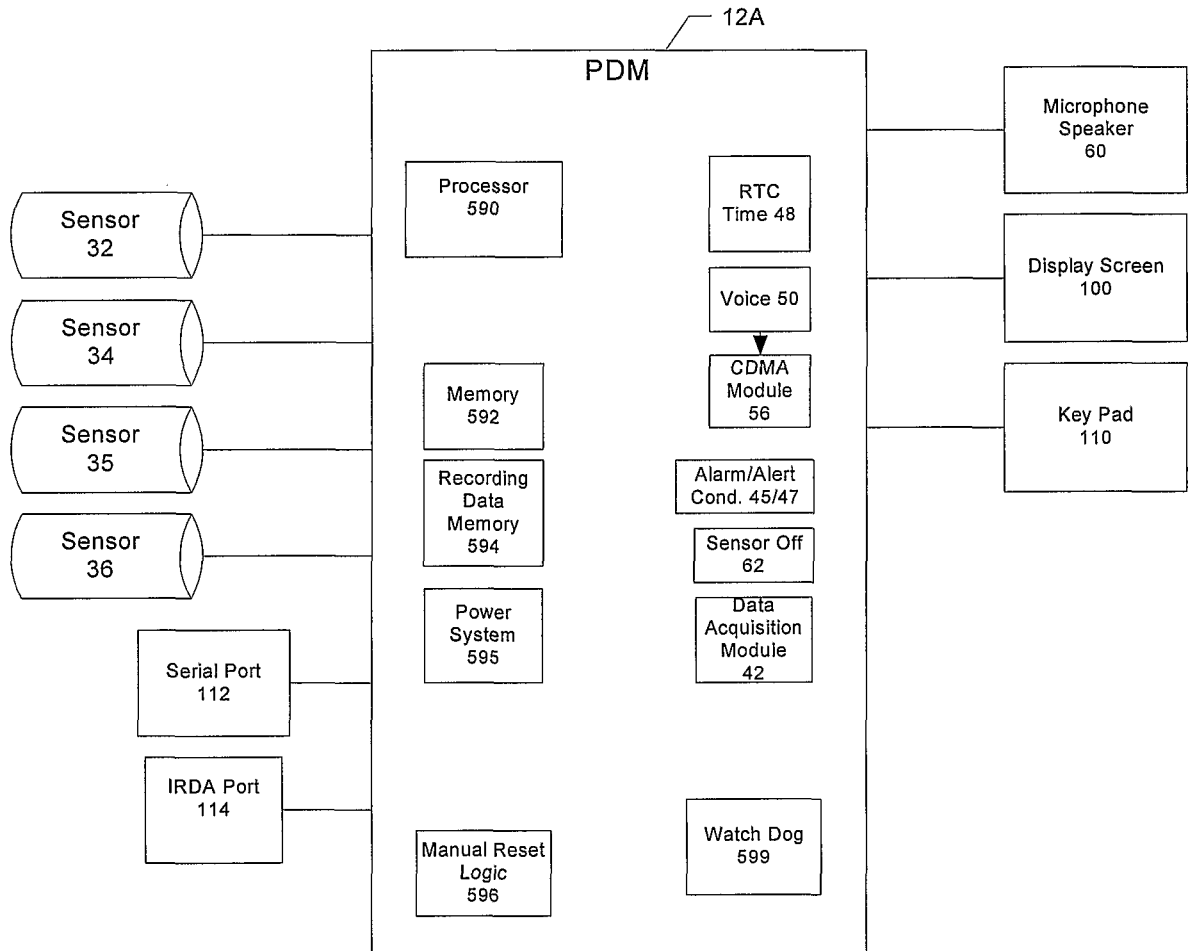


FIGURE 5

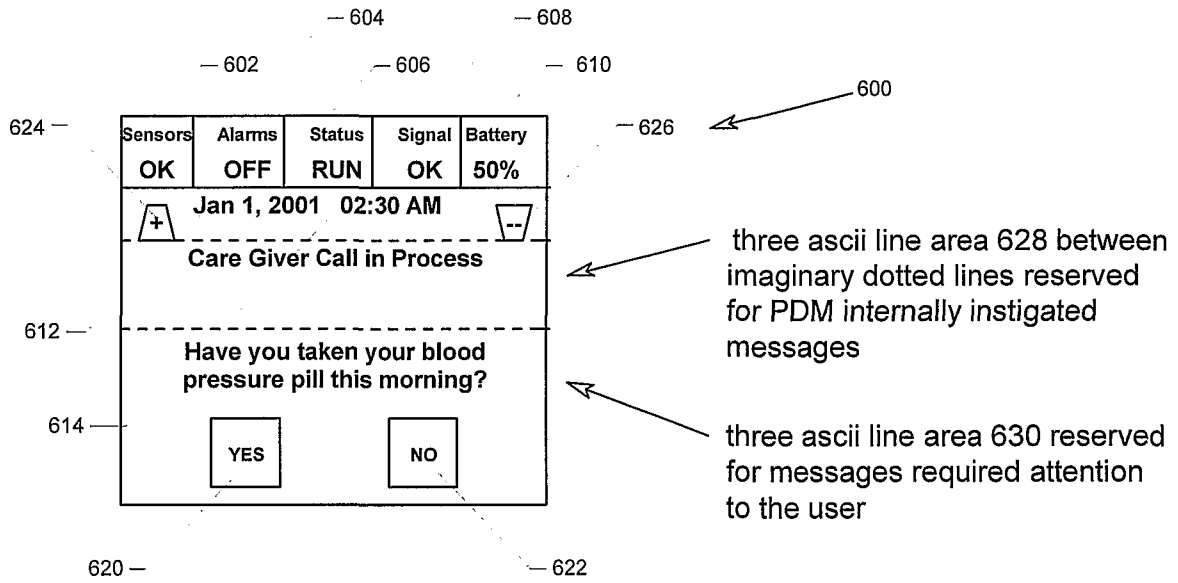


Figure 6

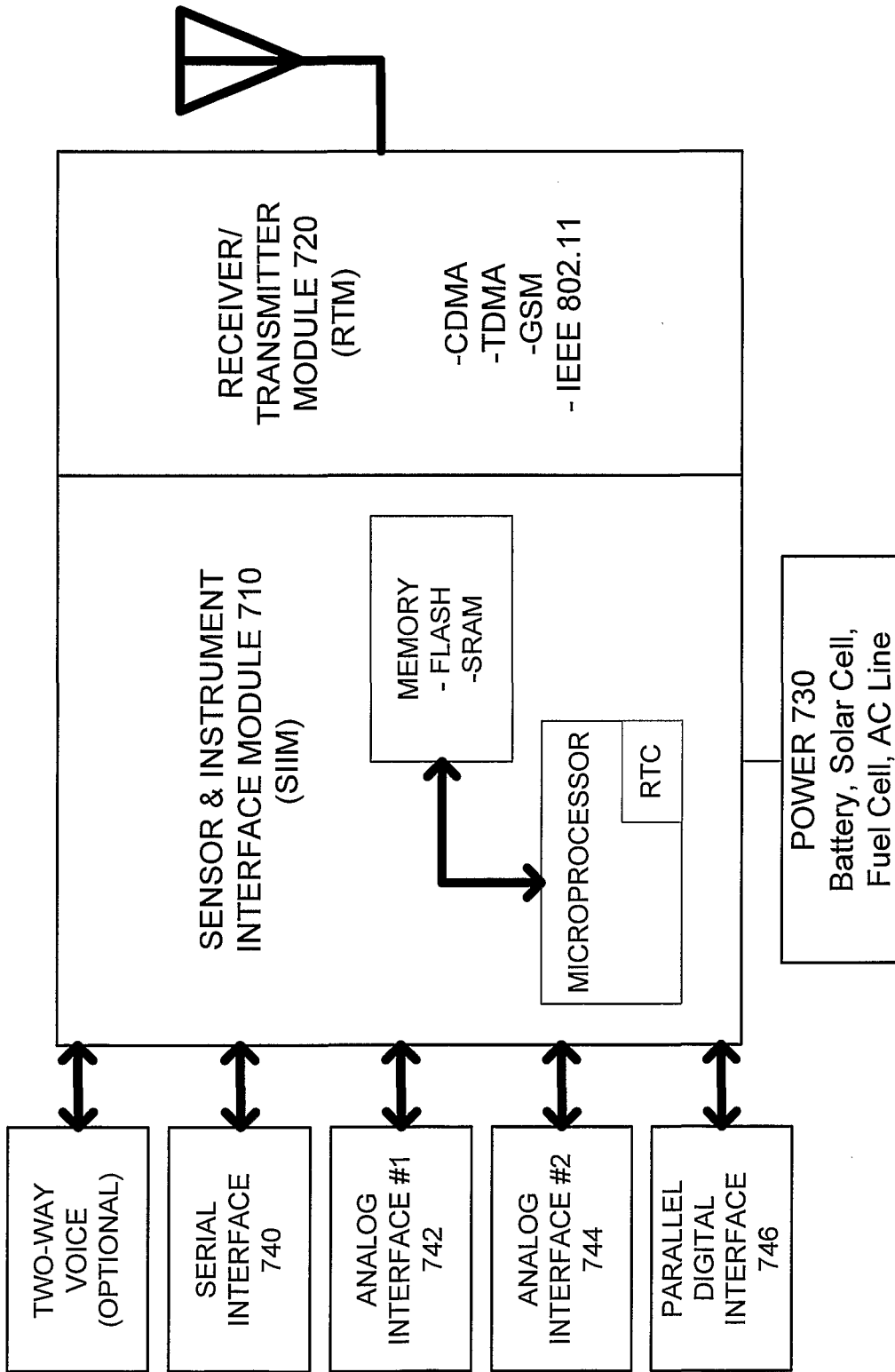


FIGURE 7

INTERNATIONAL SEARCH REPORT

International application No.

PCT/US02/04369

A. CLASSIFICATION OF SUBJECT MATTER

IPC(7) : G06F 11/00
 US CL : 702/188

According to *International Patent Classification (IPC)* or to both national classification and IPC

B. FIELDS SEARCHED

Minimum documentation searched (classification system followed by classification symbols)
 U.S. : Please See Continuation Sheet

Documentation searched other than minimum documentation to the extent that such documents are included in the fields searched
 NONE

Electronic data base consulted during the international search (name of data base and, where practicable, search terms used)
 NONE

C. DOCUMENTS CONSIDERED TO BE RELEVANT

Category *	Citation of document, with indication, where appropriate, of the relevant passages	Relevant to claim No.
Y --- A	US 5,544,661 A (DAVIS et al) 13 August 1996 (13.08.1996), Abstract; Figs. 1, 4, 5; col. 1, line 57 - col. 3, line 50; col. 4, lines 11-68; col. 5, lines 7-40.	1-13,16-23,25-50,53-60,62-99 ----- 14,15,24,51,52,61
A,E	US 2002/0022775 A1 (FINKELSHTEINS) 21 February 2002 (21.02.2002), Abstract; Figs. 2, 3; page 1, paragraph 1; page 2, paragraph 13 - page 3, paragraph 20.	1,41,78,89
Y	US 5,576,952 A (STUTMAN et al) 19 November 1996 (19.11.1996), col. 1, line 49 - col. 2, line 45.	6,7,28,47,82,83,93,94
Y	US 6,093,146 A (FILANGERI) 25 July 2000 (25.07.2000), Abstract; Fig. 1; col. 3, lines 19-46; col. 4, line 16 - col. 5, line 21.	1-13,16-23,25-50,53-60,62-99
Y,E	US 6,238,338 B1 (DELUCA et al) 29 May 2001 (29.05.2001), col. 3, lines 20-29; Fig. 2.	12,49
Y,E	US 6,304,788 B1 (EADY et al) 16 October 2001 (16.10.2001), Abstract; col. 1, lines 32-43.	5,46,81,92
Y,E	US 6,315,719 B1 (RODE et al) 13 November 2001 (13.11.2001), col. 2, line 56 - col. 3, line 14.	12,49
A	US 5,153,584 A (ENIGIRA) 06 October 1992 (06.10.1992), Abstract; col. 1, line 50 - col. 2, line 55.	1,41,78,89

Further documents are listed in the continuation of Box C. See patent family annex.

* Special categories of cited documents:	"T"	later document published after the international filing date or priority date and not in conflict with the application but cited to understand the principle or theory underlying the invention
"A" document defining the general state of the art which is not considered to be of particular relevance	"X"	document of particular relevance; the claimed invention cannot be considered novel or cannot be considered to involve an inventive step when the document is taken alone
"E" earlier application or patent published on or after the international filing date	"Y"	document of particular relevance; the claimed invention cannot be considered to involve an inventive step when the document is combined with one or more other such documents, such combination being obvious to a person skilled in the art
"L" document which may throw doubts on priority claim(s) or which is cited to establish the publication date of another citation or other special reason (as specified)	"&"	document member of the same patent family
"O" document referring to an oral disclosure, use, exhibition or other means		
"P" document published prior to the international filing date but later than the priority date claimed		

Date of the actual completion of the international search 05 June 2002 (05.06.2002)	Date of mailing of the international search report 12 JUL 2002
----------------------------------------------------------------------------------------	-------------------------------------------------------------------

Name and mailing address of the ISA/US Commissioner of Patents and Trademarks Box PCT Washington, D.C. 20231 Facsimile No. (703) 305-3230	Authorized officer Manuel Barbee Telephone No. (703) 305-0976 <i>Manuel Barbee</i>
-------------------------------------------------------------------------------------------------------------------------------------------------------	---------------------------------------------------------------------------------------------

INTERNATIONAL SEARCH REPORT

International application No.

PCT/US02/04369

C. (Continuation) DOCUMENTS CONSIDERED TO BE RELEVANT

Category *	Citation of document, with indication, where appropriate, of the relevant passages	Relevant to claim No.
A,P	US 6,215,403 B1 (CHAN et al) 10 April 2001 (10.04.2001), Abstract; Figs. 1, 3; col. 1, line 60 - col. 5, line 24.	1,6,41,47,78,82,89
Y	US 6,102,856 A (GROFF et al) 15 August 2000 (15.08.2000), Abstract; col. 1, line 1 - col. 4, line 61.	1-13,16-23,25-50,53-60,62-99
A	US 5,987,519 A (PEIFER et al) 16 November 1999 (16.11.1999), Abstract.	1,41,78,89
Y	US 5,997,476 A (BROWN) 07 December 1999 (07.12.1999), Abstract; Fig. 1; col. 2, line 53 - col. 3, line 38; col. 4, line 24 - col. 5, line 28.	1-13,16-23,25-50,53-60,62-99
Y	EP 1059789 A2 (BURG) 13 December 2000 (13.12.2000), Abstract.	8,43,84,95
Y,P	US 2001/0015968 A1 (SICHER et al) 23 August 2001 (23.08.2001), Abstract; page 1, paragraph 1 - page 2, paragraph 17.	8,43
Y	US 5,940,479 A (GUY et al) 17 August 1999 (17.08.1999), col. 15, line 65 - col. 16, line 35.	8,43
Y	US 5,983,282 A (YUCEBAY) 09 November 1999 (09.11.1999), col. 1, line 1 - col. 3, line 58.	8,43
Y	US 5,348,008 A (BORNN et al) 20 September 1994 (20.09.1994), col. 38, line 60 - col. 39, line 2.	20,57
Y	US 6,128,528 A (ERICKSEN et al) 03 October 2000 (03.10.2000), col. 14, line 45 - col. 15, line 19.	27,28,64-66

INTERNATIONAL SEARCH REPORT

International application No.

PCT/US02/04369

Continuation of B. FIELDS SEARCHED Item 1:

702/19, 21, 31, 32, 108, 122, 123, 127, 182, 183, 186-188; 128/903, 920; 600/300, 301; 340/573.1, 870.07, 870.09, 870.18

专利名称(译)	无线互联网生物遥测监控系统及接口		
公开(公告)号	EP1410206A1	公开(公告)日	2004-04-21
申请号	EP2002724946	申请日	2002-02-14
[标]申请(专利权)人(译)	我MEDIK		
申请(专利权)人(译)	I-MEDIK INC.		
当前申请(专利权)人(译)	I-MEDIK INC.		
[标]发明人	MACHA EMIL S		
发明人	MACHA, EMIL, S.		
IPC分类号	A61B5/00 A61B5/024 A61B5/0402 A61B5/0404 G06F11/00 G06F19/00		
CPC分类号	A61B5/0006 A61B5/0008 A61B5/0022 A61B5/024 A61B5/02438 A61B5/0402 A61B5/0404 A61B5/1455 A61B5/7435 A61B5/7465 A61B5/7475 A61B2560/0271 A61B2560/0276 G16H10/20 G16H40/63 G16H40/67 G16H80/00		
代理机构(译)	MOHNHAUPT迪特里希		
优先权	09/783913 2001-02-15 US		
其他公开文献	EP1410206A4		
外部链接	Espacenet		

摘要(译)

公开了一种用于通过患者佩戴的监测设备以无线方式监测患者变量的系统和方法。患者监测设备是可穿戴的并且连接到各种传感器 (32,34,35,36) 和至少一个麦克风 (60) 以进行语音通信。该设备连接到无线网络, 然后连接到因特网, 用于将数据传输到主机以供医疗保健提供者访问。医疗服务提供者经由因特网和无线网络与患者可穿戴设备通信, 以向患者可穿戴监测单元发送指令并通过语音与患者通信。医疗护理提供者还可以灵活地重新配置 (54) 设备以改变收集参数。当由传感器 (32,34,35,36) 检测到超过警报极限时, 数据被传输到主计算机以供医疗护理提供者使用, 从而允许佩戴该设备的患者完全移动。