



- (51) **International Patent Classification:**  
A61B 5/024 (2006.01) A61B 5/00 (2006.01)  
A61B 5/0295 (2006.01)
- (21) **International Application Number:**  
PCT/FI2014/050372
- (22) **International Filing Date:**  
15 May 2014 (15.05.2014)
- (25) **Filing Language:** English
- (26) **Publication Language:** English
- (30) **Priority Data:**  
20135520 15 May 2013 (15.05.2013) FI
- (71) **Applicant:** PULSEON OY [FI/FD; Tekniikantie 12, FI-02150 Espoo (FI).
- (72) **Inventors:** NOUSIAINEN, Jari; Simaportti 3 C, FI-02780 Espoo (FI). KORHONEN, Ilkka; Tietokuja 1, FI-37560 Lempäala (FI).
- (74) **Agent:** PAPULA OY; P.O. Box 981, FI-00101 Helsinki (FI).
- (81) **Designated States** (unless otherwise indicated, for every kind of national protection available): AE, AG, AL, AM,

AO, AT, AU, AZ, BA, BB, BG, BH, BN, BR, BW, BY, BZ, CA, CH, CL, CN, CO, CR, CU, CZ, DE, DK, DM, DO, DZ, EC, EE, EG, ES, FI, GB, GD, GE, GH, GM, GT, HN, HR, HU, ID, IL, IN, IR, IS, JP, KE, KG, KN, KP, KR, KZ, LA, LC, LK, LR, LS, LT, LU, LY, MA, MD, ME, MG, MK, MN, MW, MX, MY, MZ, NA, NG, NI, NO, NZ, OM, PA, PE, PG, PH, PL, PT, QA, RO, RS, RU, RW, SA, SC, SD, SE, SG, SK, SL, SM, ST, SV, SY, TH, TJ, TM, TN, TR, TT, TZ, UA, UG, US, UZ, VC, VN, ZA, ZM, ZW.

- (84) **Designated States** (unless otherwise indicated, for every kind of regional protection available): ARIPO (BW, GH, GM, KE, LR, LS, MW, MZ, NA, RW, SD, SL, SZ, TZ, UG, ZM, ZW), Eurasian (AM, AZ, BY, KG, KZ, RU, TJ, TM), European (AL, AT, BE, BG, CH, CY, CZ, DE, DK, EE, ES, FI, FR, GB, GR, HR, HU, IE, IS, IT, LT, LU, LV, MC, MK, MT, NL, NO, PL, PT, RO, RS, SE, SI, SK, SM, TR), OAPI (BF, BJ, CF, CG, CI, CM, GA, GN, GQ, GW, KM, ML, MR, NE, SN, TD, TG).

**Published:**  
— with international search report (Art. 21(3))



W<sup>o</sup> 2014/184447 A1

(54) **Title:** PORTABLE PULSE MEASURING DEVICE

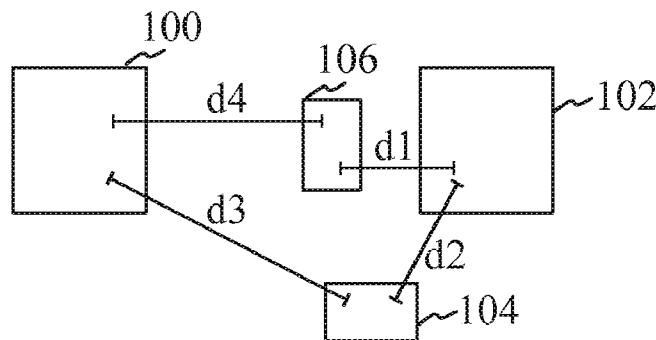


FIG. 1A

(57) **Abstract:** According to an aspect of the invention there is provided a portable pulse measuring device. The device comprises a lighting configuration comprising at least three elements (100, 102, 104, 106) selected from a light-emitting source (104, 106) for emitting radiant energy through a human body tissue and a light detector (100, 102) for detecting the intensity of said radiant energy after propagation through the human body tissue and for providing input signals representative of said propagation, wherein the lighting configuration comprises at least one light-emitting source (104, 106) and at least one light detector (100, 102); processing means for determining pulse rate in response to processing the input signals. The elements in the lighting configuration are arranged in the portable pulse measuring device in a configuration where the light-emitting sources (104, 106) in the lighting configuration are asymmetrically disposed in relation to the light detectors (100, 102) in the lighting configuration.

**PORTABLE PULSE MEASURING DEVICE****FIELD OF THE INVENTION**

The present invention relates to pulse measuring devices.

5

**DESCRIPTION OF THE RELATED ART**

Various pulse rate detection systems are known in the art. The pulse rate detection devices comprise, for example, devices that use pressure sensitive transducers such as piezoelectric elements to detect pulse rate.

Another measuring technique is called as photoplethysmography . Photoplethysmography is an electro-optic technique of measuring the cardiovascular pulse wave found throughout the human body. The pulse wave is caused by the periodic pulsations of arterial blood volume and is measured by the changing optical absorption of radiant energy which this induces.

The measurement system usually consists of a source of radiant energy (for example, an infra-red light source) , at least one detector for detecting the intensity of the radiant energy after propagation through the human body tissue and a data processing means for extracting bodily parameters such as pulse rate or oxygen concentration in the blood. For example, the use of infra-red light has certain advantages. It is relatively little absorbed in blood and in body tissue and blood volume changes are therefore observed with a reasonable contrast with relatively low radiant energy. The use of other light wavelengths is also possible. The use of photoplethysmography as a measuring technique is entirely non-invasive and can be applied to any blood bearing tissue, for example, a finger, nail, ear lobe, nose and wrist.

The light intensity varies together with changes in the volume in the tissue of interest both due to changes in the path-length between the light-source and the photo detector (due to volume changes) and due to  
5 the changes in the optical density of the tissue including blood and liquids (e.g. due to arterial blood pulsation). In a homogeneous layer of blood, the Beer-Lambert law suggests light intensity to decay exponentially as a function of distance due to light absorption. However,  
10 no tissue is homogeneous, and hence in addition to light absorption factors such as light scatter, refraction and reflection, which all depend on the exact anatomy and geometry of the tissue, also affect the measured signal. Therefore, the total amount of radiant energy reaching  
15 detector is sensitive to sensor positioning and any deformations of the tissue.

It is characteristic to a human tissue that light is highly scattered in the tissue. Therefore, a detector positioned on the surface of the skin is able  
20 to measure reflections. These reflections are variously absorbed depending on whether the light encounters weakly or highly absorbing tissue. Any change in blood volume will be registered by the detector at the surface since increasing (or decreasing) volume will  
25 cause more (or less) absorption. When the illuminated blood flow pulsates, it alters mainly the total absorption co-efficient of the tissue volume but also the optical path length and therefore modulates the light absorption throughout the cardiac cycle. Non-  
30 pulsating fluids and tissues do not modulate the light but have a constant level of absorption (assuming there is no movement or other deformation of the tissue volume).

The result of the absorption is that any  
35 light reflected from the pulsating vascular bed contains an AC component which is proportional to and synchronous with the subject's heart pumping action.

It is this modulated component which is known as the photoplethysmographic signal. A plethysmographic measurement can be achieved by measurement of the intensity of radiant energy transmitted through (transmission mode systems) or reflected by (reflection mode systems) body tissue.

In theory, measuring a pulse rate is a simple measurement - at least one detector detects the intensity of the radiant energy received via human tissue and a data processing means is used to determine needed parameters from the signals received from the at least one detector. In practice, the situation is not so simple especially when the subject is moving. Movements cause deformation of the tissue volume between radiant energy source and detector which will cause changes which are not related to a heart pumping action in the detected energy in the detector. These movement artifacts may be typically manifold as compared to changes in the absorption caused by blood flow changes, and therefore complex methods have been proposed to compensate for these artifacts by processing means. One possible compensation solution is presented in EP 1 297 784 A1.

In the light of the present art, it is beneficial to minimize the amount of movement artifacts in the signal and to keep the proportion of the signal related to blood flow maximal. This may be achieved by arranging the measurement so that the tissue volume through which the radiant energy propagates before reaching the detector contains maximal relative proportion of active blood flowing vasculature, and only minimal amount of other tissue volume i.e. tissues in which blood pulsation is less significant. However, this has some complications.

First, thickness of skin and other layers of human tissue e.g. epidermis, papillary dermis and reticular dermis, varies between individuals and also

between different spatial locations in the skin, and therefore the active blood containing tissue thickness and depth from skin surface is different in different individuals and/or spatial locations on skin. Furthermore, blood flow in different layers of the skin varies dynamically between different conditions so that when skin is cold blood circulation is minimal close to skin surface while with warm skin blood flow is active close to skin surface. These aspects make it challenging to provide a reliable measurement.

In addition, portable pulse rate measuring device should optimally have a small size and long battery life to be most useful for their users.

Based on the above, there is a need for solution that would take into account at least some of the above aspects and variances that affect to pulse rate measurements and that would provide a reliable pulse rate measurement.

## **SUMMARY**

According to an aspect of the invention, there is provided a portable pulse measuring device. The device comprises a lighting configuration comprising at least three elements selected from a light-emitting source for emitting radiant energy through a human body tissue and a light detector for detecting the intensity of said radiant energy after propagation through the human body tissue and for providing input signals representative of said propagation, wherein the lighting configuration comprises at least one light-emitting source and at least one light detector; processing means configured to determine pulse rate in response to processing the input signals. The elements in the lighting configuration are arranged in the portable pulse measuring device in a configuration where the light-emitting sources in the lighting con-

figuration are asymmetrically disposed in relation to the light detectors in the lighting configuration.

In one embodiment the light-emitting sources in the lighting configuration are arranged such that  
5 the distances from the light-emitting sources to the light detectors in the lighting configuration differ from each other.

In one embodiment the lighting configuration comprises at least two light-emitting sources emitting  
10 the same wavelength.

In one embodiment the lighting configuration comprises at least two light-emitting sources emitting at least two different wavelengths.

In one embodiment the lighting configuration  
15 comprises two light detectors and two light-emitting sources comprising a first light-emitting source and a second light-emitting source wherein the first and second light-emitting sources emit different wavelengths. In one embodiment the two light detectors and  
20 the first light-emitting source are disposed along a first axis, the first light-emitting source being disposed between the two light detectors on the first axis, and the first light-emitting source and the second light-emitting source are disposed along a second axis.  
25 In one embodiment the distances from the first light-emitting source to the two light detectors differ from each other and the distances from the second light-emitting source to the two light detectors differ from each other. In one embodiment the distances  
30 from the first light-emitting source to the two light detectors and the distances from the second light-emitting source to the two light detectors are chosen to provide an optimal measurement range in the human body tissue.

In one embodiment the device further comprises blocking means for blocking direct light leakage from the at least two light-emitting sources to the at least one light detector.

5 In one embodiment the first light-emitting source is configured to emit shorter wavelength visible light and the second light-emitting source is configured to emit longer wavelength visible light.

10 In one embodiment the shorter wavelength visible light comprises green or blue light and the longer wavelength visible light comprises infrared or red light

In one embodiment the processing means are configured to determine whether a channel comprising a specific light detector detecting radiant energy from a specific light-emitting source exceeds a first reliability factor threshold, the reliability factor indicating an estimate of the reliability of the heart rate reading for each channel, and to select a channel having a reliability factor above the first reliability factor threshold.

15

20

In one embodiment the processing means are configured to select a channel having the highest reliability factor. In another embodiment, the processing means are configured to select a channel having the lowest power consumption.

25

In one embodiment the processing means are configured to shut operating power from at least one other channel not selected.

30 In one embodiment the processing means are configured to reduce light intensity of the light-emitting source of the selected channel so that the reliability factor of the selected channel exceeds the first reliability factor threshold.

In one embodiment the processing means are configured to increase light intensity of the light-emitting source of the selected channel so that the reliability factor of the selected channel exceeds the first reliability factor threshold.

In one embodiment the processing means are configured to determine that the reliability factor of a channel is below the first reliability factor threshold; power on at least one channel the operating power of which was earlier shut down; determine the reliability factor again for each channel; and reselect a channel having the reliability factor above the first reliability factor threshold, or having the reliability factor above the first reliability factor threshold and the lowest power consumption.

In one embodiment the processing means are configured to determine that that the reliability factor of a channel is below a second reliability factor threshold and to shut down operating power from the channel.

In one embodiment the reliability factor is calculated as  $SNR = ||X_{HR}|| / ||X_{NHR}||$ , where  $X_{HR}$  is the ratio of the signal related to pulsative blood flow,  $X_{NHR}$  is the ratio of the signal not related to pulsatile blood flow, and  $|| \cdot ||$  is a signal norm operator. In one embodiment  $|| \cdot ||$  is a signal power operator or a signal amplitude operator. It is clear to a person skilled in the art that several other possible norm operators may also be used.

According to another aspect of the invention, there is provided a portable pulse measuring device, comprising: a lighting configuration comprising at least two light-emitting sources for emitting radiant energy through a human body tissue and at least one

light detector for detecting the intensity of said radiant energy after propagation through the human body tissue and for providing input signals representative of said propagation, wherein the at least two light-emitting sources comprise a first light-emitting source emitting a first wavelength and a second light-emitting source emitting a second wavelength for determining pulse rate; processing means configured to determine pulse rate in response to processing the input signals; wherein the elements in the lighting configuration are arranged in the portable pulse measuring device in a configuration where the distance from the first light-emitting source to a first light detector and the distance from the second light-emitting source to the first light detector differ from each other; and wherein the distances from the first and second light-emitting sources to the first light detector and the first and second wavelengths have been chosen to enable measurement of a variety of measurement depths in the human body tissue and to provide sensitivity to blood flow and insensitivity against to movement artefacts in varying conditions.

In one embodiment, the lighting configuration comprises at least two light-emitting sources emitting the same wavelength

In one embodiment, the lighting configuration comprises three light-emitting sources and the first light detector, wherein two light-emitting sources are arranged at equal distances from the first light detector and on opposite sides of the first light detector substantially on the same axis, and wherein the two light-emitting sources emit the first wavelength and the third light-emitting source emits the second wavelength and wherein the distance from the two

light-emitting sources to the first light detector and the distance from the third light-emitting source to the first light detector differ from each other.

In one embodiment, the first light-emitting  
5 source emits green light and the second light-emitting source emits infrared light, and the distance between the center of the first light detector and the first light-emitting source is between 2.5mm and 4.5mm and preferable about 3.6mm, and the distance between the  
10 center of the first light detector and the second light-emitting source is between 4.0mm and 7.0mm and preferably about 6.0mm.

In one embodiment, the lighting configuration comprises two light detectors and wherein the first  
15 light detector and a second light detector and the first light-emitting source are disposed substantially along a first axis, the first light-emitting source being disposed between the first and second light detectors, and the first light-emitting source and the  
20 second light-emitting source are disposed along a second axis differing from the first axis.

In one embodiment, the distances from the first light-emitting source to the two light detectors differ from each other and the distances from the second light-emitting source to the two light detectors differ from each other. In one embodiment, the first light-emitting source emits green light and the second light-emitting source emits infrared light, wherein  
25 distance between the center of the first light detector and the first light-emitting source is between  
30 2.0mm and 4.0mm and preferably about 3.0mm, the distance between the center of the second light detector and the first light-emitting source is between 4.0mm and 6.0mm and preferably about 5.0m, the distance be-

tween the center of the first light detector and the second light-emitting source is between 4.0mm and 6.0mm and preferably about 5.0mm, and the distance between the center of the second light detector and the second light-emitting source is between 6.5mm and 8.5mm and preferably about 7.5mm.

In one embodiment, the device further comprises blocking means for blocking direct light leakage from the at least two light-emitting sources to the at least one light detector.

In one embodiment, the first light-emitting source is configured to emit shorter wavelength visible light and the second light-emitting source is configured to emit light having longer wavelength than the shorter wavelength visible light.

In one embodiment, the shorter wavelength visible light comprises green or blue light and the longer wavelength light comprises infrared or red light.

In one embodiment, the processing means are configured to: determine whether a channel comprising a specific light detector detecting radiant energy from a specific light-emitting source exceeds a first reliability factor threshold, the reliability factor indicating an estimate of the reliability of the heart rate reading for the channel; and select a channel having a reliability factor above the first reliability factor threshold.

In one embodiment, the processing means are configured to select a channel having the highest reliability factor.

In one embodiment, the processing means are configured to select a channel having the lowest power consumption.

In one embodiment, the processing means are configured to shut operating power from at least one channel not selected.

5 In one embodiment, the processing means are configured to reduce light intensity of the light-emitting source of the selected channel so that the reliability factor of the selected channel exceeds the first reliability factor threshold.

10 In one embodiment, the processing means are configured to increase light intensity of the light-emitting source of the selected channel so that the reliability factor of the selected channel exceeds the first reliability factor threshold.

15 In one embodiment, the processing means are configured to: determine that the reliability factor of a channel is below the first reliability factor threshold; power on at least one channel the operating power of which was earlier shut down; determine the reliability factor again for one or more channels; and  
20 reselect a channel having the reliability factor above the first reliability factor threshold, or having the reliability factor above the first reliability factor threshold and the lowest power consumption.

25 In one embodiment, the processing means are configured to: determine that the reliability factor of a channel is below a second reliability factor threshold; and shut down operating power from the channel .

30 In one embodiment, the reliability factor is calculated as  $SNR = ||\mathbf{x}_{HR}|| / ||\mathbf{x}_{nHR}||$ , where  $\mathbf{x}_{HR}$  is the portion of the signal related to pulsative blood flow,  $\mathbf{x}_{nHR}$  is the portion of the signal not related to pulsatile blood flow, and  $||\cdot||$  is a signal norm operator.

According to another aspect of the invention, there is provided a method for processing input signals of a portable pulse measuring device of any of the aspects above. The method comprises determining  
5 whether a channel comprising a specific light detector detecting radiant energy from a specific light-emitting source exceeds a first reliability factor threshold, the reliability factor indicating an estimate of the reliability of the heart rate reading for  
10 each channel; and selecting a channel having a reliability factor above the first reliability factor threshold .

In one embodiment the method comprises selecting a channel having the highest reliability factor.  
15 tor.

In one embodiment the method comprises selecting a channel having the lowest power consumption.

In one embodiment the method comprises shutting operating power from at least one channel not selected.  
20 lected.

In one embodiment the method comprises reducing light intensity of the light-emitting source of the selected channel so that the reliability factor of the selected channel exceeds the first reliability  
25 factor threshold.

In one embodiment the method comprises increasing light intensity of the light-emitting source of the selected channel so that the reliability factor of the selected channel exceeds the first reliability  
30 factor threshold.

In one embodiment the method comprises determining that the reliability factor of a channel is below the first reliability factor threshold; powering on at least one channel the operating power of which

was earlier shut down; determining the reliability factor again for each channel; and reselecting a channel having the reliability factor above the first reliability factor threshold, or having the reliability factor above the first reliability factor threshold, or having the reliability factor above the first reliability factor threshold, and the lowest power consumption.

In one embodiment the method comprises determining that the reliability factor of a channel is below a second reliability factor threshold; and shut down operating power from the channel.

According to another aspect of the invention, there is provided a computer program comprising program code, which when executed on a processor, executes the above method. The computer program may be embodied on a computer-readable medium.

#### **BRIEF DESCRIPTION OF THE DRAWINGS:**

The accompanying drawings, which are included to provide a further understanding of the invention and constitute a part of this specification, illustrate embodiments of the invention and together with the description help to explain the principles of the invention. In the drawings:

**Figure 1A** is a block diagram illustrating an embodiment of a measurement arrangement in a portable measurement device in accordance with the present invention.

**Figure 1B** is a block diagram illustrating another embodiment of a measurement arrangement in a portable measurement device in accordance with the present invention.

**Figure 1C** is a block diagram illustrating another embodiment of a measurement arrangement in a portable measurement device in accordance with the present invention.

**Figure ID** is a block diagram illustrating another embodiment of a measurement arrangement in a portable measurement device in accordance with the present invention.

5 **Figure IE** is a block diagram illustrating another embodiment of a measurement arrangement in a portable measurement device in accordance with the present invention.

10 **Figures 2A, 2B and 2C** illustrate the use of green and infrared light in measuring pulse rate, for example, by using the measurement arrangement disclosed in Figure 1A and Figure 1B.

**Figure 3** is a block diagram illustrating an embodiment of a portable pulse measuring device.

15 **Figure 4** is a block diagram illustrating the operating process of a pulse measuring device according to one embodiment of the invention.

20 **Figure 5** illustrates channel logic when a pulse measuring device comprises two light-emitting sources and two light detectors according to one embodiment of the invention.

25 **Figure 6** illustrates channel logic when a pulse measuring device comprises two light-emitting sources and two light detectors according to another embodiment of the invention.

#### **DETAILED DESCRIPTION**

Reference will now be made in detail to the embodiments of the present invention, examples of which are illustrated in the accompanying drawings.

30 Figure 1A is a block diagram illustrating an embodiment of a measurement arrangement in a portable measurement device in accordance with the present invention. The measurement arrangement disclosed in Figure 1A comprises a first light detector 100 and a second light detector 102. The light detectors are, for

example, photo detectors that are able to detect reflected light. The measurement arrangement also comprises two light-emitting sources 104, 106. In one embodiment, the measurement arrangement has been arranged onto a bottom side of a portable measurement device, which is carried, for example, on a wrist or some other part of the body, where the device is firmly touching the skin.

Tissue, for example, skin is illuminated by a light source, for example a light emitting diode (LED). In the arrangement of Figure 1A, the first light-emitting source 104 emits infrared light and the second light-emitting source 106 emits green light. An optical signal is a signal derived as a variation of light intensity detected in the light detectors 100, 102 as a function of changes in light absorption in the tissue. Changes in light intensity may be caused by deformation of the tissue, for example, due to movements, or by changes in blood volume in the area, caused by pulsative blood flow. The latter is used for detection of heart rate.

The skin of the human tissue comprises several layers including epidermis, papillary dermis, reticular dermis and hypodermis. Skin properties also vary between individuals and anatomical location. Papillary dermis includes small vasculature which constrict when cold. Reticular dermis includes larger vasculature which are less sensitive to cold. The desired measuring depth where blood is to be measured occurs in epidermis which is usually about 0.6 - 3 mm deep. Next tissue layer is mostly fat tissue and add artefacts to the detected signal if a significant portion of light is reflected from this tissue as fat tissue is sensitive to

deformations caused by movements and contains no significant vasculature.

Tissue deformation due to movement causes major changes in light reflection paths within the tissue, leading to major changes in light intensity observed in the light detectors when the tissue is illuminated with constant light intensity. This relationship is dependent on the tissue volume through which the light travels, i.e. the higher the volume the more changes are caused by movements. Therefore, it is preferable to minimize tissue volume to be illuminated to minimize artifacts in the detected signals by the light detectors.

In reflectance photoplethysmography the penetration depth of the light to the tissue is mostly dependent on two factors :

- 1) The distance between the light detectors 100, 102 and the light-emitting sources 104, 106. The average penetration depth of the light in a homogenous tissue is roughly  $d/2$  where  $d$  is the distance between a light detector and a light-emitting source.
- 2) Light wavelength affects light absorption in the tissue so that the shorter wavelengths (for example, green or blue) are absorbed significantly more than longer wavelengths, such as infra-red and red. An absorption co-efficient for green light may be more than 10 times or even 100 times higher than for infrared or red light. For similar light level at a light detector, 10 times higher light intensity is needed.

Therefore, in accordance with the measurement arrangement disclosed in Figure 1A, light penetration

depth may be controlled by varying the distance  $d$ . In another embodiment, in addition to varying the distance  $d$ , also light wavelengths may be varied. For shallow penetration, small  $d$  and shorter wavelengths may be used while larger  $d$  and longer wavelengths may be used for deeper penetration. By varying the distance  $d$  or both factors (distance  $d$  and used wavelengths) independently, it is possible to optimize the penetration depth better in a non-homogeneous tissue.

10 In the embodiment of Figure 1A, the first light-emitting source 104 emits infrared light and the second light-emitting source 106 emits green light. Further, the distance  $d_1$  is about 2.5 mm, the distance  $d_2$  is about 4 mm, the distance  $d_3$  is about 6 mm and 15 the distance  $d_4$  is about 4 mm. Thus, the light-emitting sources 104, 106 are asymmetrically disposed in relation to the light detectors 100, 102. Although the embodiment of Figure 1A specifically discloses the use of green and infrared light, other suitable wavelengths may also be used, for example, blue light and red light etc. The centres of the light detectors 100 and 102 and the light-emitting source 106 may be disposed substantially along a single axis. In another 20 embodiment, the center point of the light-emitting source 106 may be below or above the axis determined by the centers of the light detectors 100 and 102.

The measurement arrangement disclosed in Figure 1A provides a solution which enables measuring pulse rate from various tissue depths. In other words, 30 a measurement depth can be used which provides the best detection result for the heart rate. The measurement arrangement disclosed in Figure 1A also provides the possibility of varying the measurement depth in real-time or near real-time because it provides

four different measurement channels (combinations of a light-emitting source and a light detector) to choose. For example, in cold skin conditions minimal blood flow occurs close to skin. Therefore deeper measurement may be applied. In warm skin conditions blood flow is active close to skin and therefore smaller measurement depth may be applied.

Furthermore, when tissue is illuminated with light through skin, absorption of light is caused by skin, blood containing tissue, and fat tissue (absorption similar to water). In total, absorption coefficient for, for example, green light may be more than 10 times or even 100 times higher than that for infra-red or red. As a result, green light attenuates rapidly in tissue and only very small volume of tissue is affecting light intensity as measured with a photo detector which is close to the light source. Therefore, green light is a good choice in situations where blood perfusion close to skin surface is good and movement artefacts (which are dependent on tissue volume deformation due to movement) need to be minimized. This is typical for example during physical exercise. However, due to high absorption co-efficient, required light intensity is higher with green light than for infrared light to gain similar average light intensity in a light detector, and therefore power consumption of the green light emitting light source is higher than that for infrared light source. Therefore, in situations where blood perfusion is deeper in tissue but not in the surface and/or when movement artefacts are small enough to gain sufficient signal quality infrared may be favored to save battery power and/or gain better signal quality. Furthermore, the human tissue in practice is not homogenous. Thus a signifi-

cant amount of emitted light may reach the tissue layer comprising mainly fat causing undesired reflections. The use of green light minimizes this effect because green light does not reflect back well through  
5 the epidermis.

In one embodiment of Figure 1A the light-emitting source 106 emits green light and the light-emitting source 104 emits infrared light. The distance  $d_1$  between the center of the light detector 102 and  
10 the light-emitting source 106 is between 2.0mm and 4.0mm and the distance  $d_4$  between the center of the light detector 100 and the light-emitting source 106 is between 4.0mm and 6.0mm. The distance  $d_2$  between the center of the light detector 102 and the light-  
15 emitting source 104 is between 4.0mm and 6.0mm and the distance  $d_3$  between the center of the light detector 100 and the light-emitting source 104 is between 6.5mm and 8.5mm. In a further embodiment the distance  $d_1$  between the center of the light detector 102 and the  
20 light-emitting source 106 is about 3.0mm and the distance  $d_4$  between the center of the light detector 100 and the light-emitting source 106 is about 5.0mm. The distance  $d_2$  between the center of the light detector 102 and the light-emitting source 104 is about 5.2mm  
25 and the distance  $d_3$  between the center of the light detector 100 and the light-emitting source 104 is about 7.5mm.

Figure 1B is a block diagram illustrating another embodiment of a measurement arrangement in a  
30 portable measurement device in accordance with the present invention. Whereas Figure 1A disclosed a pair of light detectors and a pair of light-emitting sources, Figure 1B discloses only one light detector 110. Multiple light-emitting sources 112, 114, 116,

118 have been arranged around the light detector 110 where the distances  $d_5$ ,  $d_6$ ,  $d_7$ ,  $d_8$  from the light-emitting sources 112, 114, 116, 118 differ from each other. Thus, the light-emitting sources 112, 114, 116, 5 118 are asymmetrically disposed in relation to the light detector 110. The amount of light-emitting sources may also be more than disclosed in Figure IB or less than disclosed in Figure IB. The light-emitting sources 112, 114, 116, 118 may all transmit 10 the same wavelength, for example red, infrared, blue or green light. In another embodiment the light-emitting sources 112, 114, 116, 118 include light-emitting sources which emit at least two different wavelengths .

15 Figure 1C is a block diagram illustrating another embodiment of a measurement arrangement in a portable measurement device in accordance with the present invention. The arrangement comprises one light detector 120 and two light-emitting sources 122, 124. 20 The distances  $d_9$  and  $d_{10}$  from the light-emitting sources 122, 124 to the light detector 120 differ from each other. Thus, the light-emitting sources 122, 124 are asymmetrically disposed in relation to the light detector 120. In one embodiment of Figure 1C the 25 light-emitting source 124 emits green light and the light-emitting source 122 emits infrared light, and the distance  $d_{10}$  between the center of the light detector 120 and the light-emitting source 124 is between 2.5mm and 4.5mm and the distance  $d_9$  between the 30 center of the light detector 120 and the light-emitting source 122 is between 4.0mm and 7.0mm. In a further embodiment the distance  $d_{10}$  between the center of the light detector 120 and the light-emitting source 124 is about 3.6mm and the distance  $d_9$  between

the center of the light detector 120 and the light-emitting source 122 is about 6.0mm.

Figure ID is a block diagram illustrating another embodiment of a measurement arrangement in a portable measurement device in accordance with the present invention. The arrangement comprises two light detectors 126, 128 and a light-emitting source 130. The distances  $d_{11}$  and  $d_{12}$  from the light-emitting source 130 to the two light detectors 126, 128 differ from each other. Thus, the light-emitting source 130 is asymmetrically disposed in relation to the light detectors 126, 128. Figure IE is a block diagram illustrating another embodiment of a measurement arrangement in a portable measurement device in accordance with the present invention. The arrangement comprises a light detector 138 and three light-emitting sources 132, 134 and 136. The distances  $d_{13}$  from the light-emitting sources 132 and 134 to the light detector 138 are identical or substantially identical. The distance  $d_{14}$  from the light-emitting source 136 to the light detector 138 differs from the distance  $d_{13}$ . In this embodiment, the light-emitting sources 132 and 134 are arranged to emit a first wavelength and the light-emitting source 136 is arranged to emit a second wavelength. In operation when measuring pulse with the light-emitting sources 132 and 134, the sources are powered on and off simultaneously. This makes it possible to cover a larger area with the light detector 138 than only with a single light-emitting source. In one embodiment, the light-emitting sources 132 and 134 emit green light and the light-emitting source 136 emits infrared light.

Further, when using the light-emitting sources 132, 134 and 136 in measuring pulse, the

sources are powered on and off successively. In other words, the light-emitting sources 132 and 134 are powered on and off simultaneously while the light-emitting source 136 is powered on only after the  
5 light-emitting sources 132 and 134 have been powered off. This makes it possible to cover selectively a variety of measurement depths with the light detector 138 than only with a single light-emitting source and/or if only a single wavelength was used.

10 In one embodiment of Figure IE the light-emitting sources 132, 134 emit green light and the light-emitting source 136 emits infrared light, and the distance  $d_{l3}$  between the center of the light detector 138 and the light-emitting sources 132, 134 is  
15 between 2.5mm and 4.5mm and the distance  $d_{l4}$  between the center of the light detector 138 and the light-emitting source 136 is between 4.0mm and 7.0mm. In a further embodiment the distance  $d_{l3}$  between the center of the light detector 138 and the light-emitting  
20 sources 132, 134 is about 3.6mm and the distance  $d_{l4}$  between the center of the light detector 138 and the light-emitting source 136 is about 6.0mm.

Figures 1A, 1B, 1C, 1D and 1E disclose five specific measurement configurations. In other embodi-  
25 ments of the invention, the measurement configuration may be different as long as a lighting configuration comprises at least three elements selected from a light-emitting source for emitting radiant energy through a human body tissue and a light detector for  
30 detecting the intensity of said radiant energy after propagation through the human body tissue and for providing input signals representative of said propagation, wherein the lighting configuration comprises at least one light-emitting source and at least one

light detector, wherein the elements in the lighting configuration are arranged in a configuration where the light-emitting sources in the lighting configuration are asymmetrically disposed in relation to the light detectors in the lighting configuration. In other words, light penetration depth to the human body tissue may be controlled by varying at least one distance  $d$ . In a further embodiment, also light wavelengths in addition to varying the distance may be varied by using light-emitting sources that emit different wavelengths.

The distances  $d_1$ - $d_{13}$  disclosed in Figures 1A-1E are preferably measured between centers of the disclosed elements.

In one embodiment of Figure 1A, 1B, 1C, 1D or Figure 1E, some means for blocking direct light leakage from the at least two light-emitting sources to the at least one light detector. This provides the advantage that the detection of the reflected light from the human tissue is not affected by light leakages from the light-emitting sources. The blocking means refer, for example, to any material or constructions that prevents direct light leakage from the at least two light-emitting sources to the at least one light detector.

At least one of the embodiments of Figure 1A, 1B, 1C, 1D or Figure 1E, the solution provides an ability to dynamically choose the active measurement depth i.e. the average depth through which the radiant energy reaches when passing from radiant energy source to the detector so that the tissue volume between the radiant energy source and detector would be maximally proportionate to blood flow and minimally sensitive to other tissue deformations.

Figures 2A, 2B and 2C illustrate the use of green and infrared light in measuring pulse rate, for example, by using the measurement arrangement disclosed in Figure 1A, 1B, 1C, 1D or Figure 1E.

5           Figure 2A illustrates a comparative situation between signals detected by a light detector for green light and infrared light when cold skin is measured. The horizontal axis represents time and the vertical axis detected signal amplitude. The heart rate is clearly  
10           seen in the infrared signal but is almost invisible in the green signal. In this situation use of infrared light would be preferred for reliable heart rate detection.

          Figure 2B illustrates a comparative situation  
15           between signals detected by a light detector for green light and infrared light when warm skin is measured. The horizontal axis represents time and the vertical axis detected signal amplitude. The heart rate can be seen in both signals. In such a situation use of infrared light  
20           would be preferred due to lower power consumption.

          Figure 2C illustrates a comparative situation between signals detected by a light detector for green light and infrared light when movement is present during measuring. The horizontal axis represents time and the  
25           vertical axis detected signal amplitude. It can be seen that almost no movement effect is present in the green signal but the infrared signal is disturbed by the movement. In this situation, green light would be preferred for reliable heart rate detection.

30           Figure 3 is a block diagram illustrating an embodiment of a portable pulse measuring device. The pulse measuring device may take a form of a wrist watch type device or any other applicable form. It should be noted that the present invention may be attached to any form

and location at skin where firm skin attachment may be reached. For example, an arm or a forearm band, a waist band, a head band, or a tight band are possible embodiments for such a measurement.

5           The device comprises a processor 300 which is arranged to process information received via various signal paths from other elements of the device and to provide control information for the device elements. A memory 302 connected to the processor 300 is arranged to  
10 store program logic based on which the processor 300 performs various operations related to the invention. The memory 302 may also store pulse rate measurement data. The processor 300 is connected to a light source control block 308 which is arranged to control a first  
15 light source 310 and a second light source 312 based on the instructions received from the processor 300 to emit light signals towards human tissue. "SPI" in connection with some signal paths means Serial Peripheral Inter-  
face via which serial communication can be performed  
20 via various blocks, "cs" in connection with some signal paths means that together with using SPI cs can be used to point with which block to communicate. "CONTROL" in connection with a signal path between the analog block 316 and the processor 300 is a control signal having a  
25 set of control lines for controlling analog circuitry such as power on/off of the analog block 316 and data sampling timing control.

A first light detector 318 and a second light detector 320 are arranged to receive light reflected  
30 from the human tissue. The signals detected by the light detectors 318, 320 are received by an analog block 316, which may perform low pass filtering, and alternatively or additionally may perform band pass or high pass filtering to drop off unwanted signals. There could be also

control mechanism to read values in (sample and hold circuit) when there is an ongoing measurement (i.e. light-emitting source on). Output of the block 316 will then be transformed to digital form by the ADC 314.

5           The device also comprises a display 306 which is arranged to display a heart rate reading in response to instructions from the processor 300. Charging means 304 are also provided to supply operating power to the device. The device may additionally comprise also an ac-  
10 celerometer or other sensor relative to movement of the device 322. Alternative embodiments to an accelerometer include for example gyroscope, magnetometer, force sensitive film between the device and the skin, or optical sensor arranged to measure tissue deformations. Signals  
15 from the movement sensor may be used in compensating unwanted movement errors in the signals detected by the light detectors 318, 320.

          Although Figure 3 discloses two light-emitting sources and two light detectors, other embodiments of  
20 the invention may comprise a lighting configuration comprising at least three elements selected from a light-emitting source and a light detector, wherein the lighting configuration comprises at least one light-emitting source and at least one light detector.

25           The device may also comprise components or elements not disclosed in Figure 3, for example, at least one of a bluetooth chip, a bluetooth antenna, a data connection interface, a mechanical button or buttons, a light sensor (for example, an ambient light sensor) etc.

30           Figure 4 is a block diagram illustrating the operating process of a pulse measuring device according to one embodiment of the invention.

          Figure 4 illustrates multiple optical signals 400, 402, 404 which are provided with light detectors,

for example, photo detectors. A processor receives the optical signals and processes them to determine a heart rate 408, 410, 412 based on the signals. A movement signal or signals 406 may also be provided to the processor. The movement signal is a signal related to the movement of the sensor (for example, an acceleration sensor) or movement of the tissue. For example, this may be accelerometer signal, or it may be another optical signal which is insensitive to blood flow in the tissue. The optical signals are easily distorted due to various movements and the movement signals are used to filter out movement from the optical signals.

Furthermore, tissue deformation due to movement causes major changes in light reflection paths within the tissue, leading to major changes in light intensity observed in a light detector when the tissue is illuminated with constant light intensity. This relationship is dependent on tissue volume through which the light travels, i.e. the higher the volume the more changes are caused by movements. Therefore, in an optimal solution, tissue volume to be illuminated should be minimized to minimize artifacts in the signal while still sufficiently including illumination of the tissue with active blood perfusion.

Since the pulse rate measuring device comprises at least two light-emitting sources and at least one light detector, there are multiple channels to measure pulse (depending the amount of light-emitting sources and wavelengths used and the amount of light detectors) .

As a general rule, a best possible signal at a given point of time may be selected 414 based on which the pulse rate is determined. As movement artifact is dependent on volume of the illuminated tissue the optimal selection of a deeper measurement or a smaller meas-

urement depth) is dependent also on movement status and blood perfusion status, and individual differences.

Therefore, a reliability factor for each measured channel may be used as an estimate of the reliability of the heart rate reading (called here as SNR). As  
5 an example, the SNR may be calculated as

$$\text{SNR} = ||X_{\text{HR}}|| / ||X_{\text{nHR}}||$$

10 where  $X_{\text{HR}}$  is the ratio of the signal related to pulsative blood flow,  $X_{\text{nHR}}$  is the ratio of the signal not related to pulsatile blood flow, and  $||\cdot||$  is the signal norm operator, for example, power, absolute power, amplitude or mean amplitude.  $X_{\text{HR}}$  and  $X_{\text{nHR}}$  may be adaptively estimated from the signal. It is clear to a person skilled in  
15 the art that several other possible norm operators may also be used. It is also evident that also other ways of determining the SNR may be used than the one disclosed above. Usually, the most reliable channel (i.e. having  
20 the highest SNR value) is used as a heart rate 416 estimate. In another embodiment, several channels may be combined, for example, by an averaging operation to estimate the heart rate. It is evident, that also other operations to combine information in different channels  
25 may be envisioned, such as weighted averaging or nonlinearly weighted combination.

In one embodiment, the following iteration process may be executed.

30 1) If the reliability factor is above a selected threshold the heart rate reliability is deemed good in a given channel and this reading may be used as heart rate output. If several reliability factors are above the threshold, the channel having the highest

reliability factor may be selected. Furthermore, one or more other channels may be shut down to save battery power. Furthermore, also light intensity of the best channel may be reduced to optimize power consumption as long as the reliability factor remains above a selected threshold. In another embodiment, each light source has predetermined power consumption. The optimization may include selecting a channel the reliability factor of which exceeds the selected threshold and where the power consumption for achieving the selected threshold is at a minimum.

5

10

15

20

25

30

- 2) If the reliability factor is below the selected threshold, one or more channels may be powered on (if they are not active at the present moment) or their light intensity may be increased to allow change of the optimal channel if another channel and/or higher light intensity would provide better reliability factor.
- 3) If the reliability factor is below another selected threshold (meaning a very poor signal) then such a channel may be totally shut down to avoid spending power on a channel which does not contribute to heart rate detection.

By using the above iteration process a measurement depth is adaptively chosen to provide the most reliable heart rate to adapt the measurement depth to best match the depth where blood flow actually occurs in each individual and in each condition, taking into account the effect of tissue deformations caused by movements. This will significantly improve the reliability of the

heart rate estimate in different conditions (for example, in cold/warm skin situation, at rest condition, in an intensive training situation etc.) and between different individuals. Furthermore, active measurement channel or channels and their light intensities may be adaptively chosen to optimize the reliability factor. This will also save battery power.

Table 1 represents general principles for selecting the optimal light-emitting source - light detector combination.

Table 1

Blood perfusion (temperature)		Movement	
		Low	High
	Low	IR and large d	IR and small d Green and large d
	High	IR and small d	Green and small d

When "IR and large d" is applied, low power is needed and deep penetration is achieved. When "IR and small d" is applied, lower power level is achieved than with green light. When "IR and small d" is applied, low power and deeper penetration that with green light is achieved. When "Green and large d" is applied, the configuration is less sensitive to movement artefacts than the infrared light. When "Green and small d" is applied, the configuration is the most insensitive to movement artefacts and suitable for measurement, for example, during intensive sports.

Figure 5 illustrates channel sampling logic when a pulse measuring device comprises two light-emitting sources and two light detectors according to one embodiment of the invention.

The sampling frequency is, for example, 85,3Hz at the sample-and-hold circuit for the all channels. The general sampling sequence is LED on - sampling - LED off. When more than one led color is used per measurement, it is important to phase the measurements off from the each other. Thus, an exemplary sampling logic may be: LED1 on - sampling - LED1 off - LED2 on - sampling - LED2 off as indicated by Figure 5.

An AD converter is sampling at 21,3Hz. They may be a low pass filter at each channel at the front of AD converter. When having two photo detectors and two different color LEDs the total amount of measurement channels is four. Since the configuration has two receiving channels, it is possible to get two sets of data for monitoring and analyzing at a time. The analyzing period may be set to a predetermined value and after each analyzing period, another measurement channel to be monitored and analyzed may be selected.

One possible state diagram comprises four sampling states. An AD conversion will be initiated for channel 1 at state 1 and for channel 2 at state 2. The third may be a "rest" state doing nothing for the measurement. The fourth state can be used to collect movement data, for example, from a movement sensitive sensor.

In this example, there are four optical channel combinations for actual measurements. The device may keep in memory the optical channel combination used. Changing the optical channel combination selection may be done after data has been analyzed. Each optical channel combination may also have a LED power value stored in the memory. This value may be also tuned after data has been analyzed. The analysis may be performed in

blocks, for example every 6 seconds, or over a sliding window of a certain duration, for example, 6 seconds.

The channel sampling logic illustrated in Figure 5 may also be used in other configurations where there are at least two light-emitting sources and at least one light detector. Further, in one embodiment, more than one light detector may be simultaneously used to sample a single light-emitting source.

Figure 6 illustrates channel logic when a pulse measuring device comprises two light-emitting sources and two light detectors according to another embodiment of the invention. The embodiment in Figure 6 is similar with the embodiment of Figure 5 with the exception that another sampling period has been introduced. When LED 1 has been switched off and before LED is switched on, there exists an additional sampling period ("LED off sampling"). This sampling may be performed with one or more light detectors (i.e. photo detectors).

The measurements in the LED off state (i.e. a measuring an interference signal) may be used to reduce interference when performing measurements in the LED on state. Reduction of the interference may be done, for example, by adaptive filtering where LED off state signal is used as an estimate of the signal noise, and an adaptive filter is used to calculate an estimate of the impact of noise on LED on state signal, and a cleaned signal is achieved by a subtraction operation of these two. There are several possibilities known to the skilled person to implement such an adaptive filter and its adaptation.

The channel sampling logic illustrated in Figure 6 may also be used in other configurations where there are at least two light-emitting sources and at least one light detector. Further, in one embodiment,

more than one light detector may be simultaneously used to sample a single light-emitting source.

It is obvious to a person skilled in the art that with the advancement of technology, the basic  
5 idea of the invention may be implemented in various ways. The invention and its embodiments are thus not limited to the examples described above, instead they may vary within the scope of the claims.

**CLAIMS**

1. A portable pulse measuring device, comprising :

5 a lighting configuration comprising at least two light-emitting sources for emitting radiant energy through a human body tissue and at least one light detector for detecting the intensity of said radiant energy after propagation through the human body tissue and for providing input signals representative of said  
10 propagation, wherein the at least two light-emitting sources comprise a first light-emitting source emitting a first wavelength and a second light-emitting source emitting a second wavelength for determining pulse rate;

15 processing means configured to determine pulse rate in response to processing the input signals;

wherein the elements in the lighting configuration are arranged in the portable pulse measuring device in a configuration where the distance from the first  
20 light-emitting source to a first light detector and the distance from the second light-emitting source to the first light detector differ from each other; and

wherein the distances from the first and second light-emitting sources to the first light detector and  
25 the first and second wavelengths have been chosen to enable measurement of a variety of measurement depths in the human body tissue and to provide sensitivity to blood flow and insensitivity against to movement artefacts in varying conditions.

30

2. The device according to claim 1, wherein the lighting configuration comprises at least two light-emitting sources emitting the same wavelength.

35 3. The device according to claim 2, wherein the lighting configuration comprises three light-

emitting sources and the first light detector, wherein two light-emitting sources are arranged at equal distances from the first light detector and on opposite sides of the first light detector substantially on the same axis, and wherein the two light-emitting sources emit the first wavelength and the third light-emitting source emits the second wavelength and wherein the distance from the two light-emitting sources to the first light detector and the distance from the third light-emitting source to the first light detector differ from each other.

4. The device according to claim 1, wherein the first light-emitting source emits green light and the second light-emitting source emits infrared light, and the distance between the center of the first light detector and the first light-emitting source is between 2.5mm and 4.5mm and preferable about 3.6mm, and the distance between the center of the first light detector and the second light-emitting source is between 4.0mm and 7.0mm and preferably about 6.0mm.

5. The device according to any of claims 1 - 2, wherein the lighting configuration comprises two light detectors and wherein the first light detector and a second light detector and the first light-emitting source are disposed substantially along a first axis, the first light-emitting source being disposed between the first and second light detectors, and the first light-emitting source and the second light-emitting source are disposed along a second axis differing from the first axis.

6. The device according to claim 5, wherein the distances from the first light-emitting source to the two light detectors differ from each other and the

distances from the second light-emitting source to the two light detectors differ from each other.

7. The device according to claim 6, wherein  
5 the first light-emitting source emits green light and the second light-emitting source emits infrared light, wherein distance between the center of the first light detector and the first light-emitting source is between 2.0mm and 4.0mm and preferably about 3.0mm, the  
10 distance between the center of the second light detector and the first light-emitting source is between 4.0mm and 6.0mm and preferably about 5.0m, the distance between the center of the first light detector and the second light-emitting source is between 4.0mm  
15 and 6.0mm and preferably about 5.0mm, and the distance between the center of the second light detector and the second light-emitting source is between 6.5mm and 8.5mm and preferably about 7.5mm.

20 8. The device according to any of claims 1 - 3, 5 or 6, wherein the first light-emitting source is configured to emit shorter wavelength visible light and the second light-emitting source is configured to emit light having longer wavelength than the shorter  
25 wavelength visible light.

9. The device according to claim 8, wherein the shorter wavelength visible light comprises green or blue light and the longer wavelength light comprises  
30 infrared or red light.

10. The device according to any of claims 1 - 9, further comprising blocking means for blocking direct light leakage from the at least two light-  
35 emitting sources to the at least one light detector.

11. The device according to any of claims 1 - 10, wherein the processing means are configured to:

determine whether a channel comprising a specific light detector detecting radiant energy from a specific light-emitting source exceeds a first reliability factor threshold, the reliability factor indicating an estimate of the reliability of the heart rate reading for the channel; and

select a channel having a reliability factor above the first reliability factor threshold.

10           12. The device according to claim 11, wherein the processing means are configured to:

select a channel having the highest reliability factor.

15           13. The device according to claim 11 or 12, wherein the processing means are configured to:

select a channel having the lowest power consumption.

20           14. The device according to any of claims 11 - 13, wherein the processing means are configured to:

shut operating power from at least one channel not selected.

25           15. The device according to any of claims 11 - 14, wherein the processing means are configured to:

reduce light intensity of the light-emitting source of the selected channel so that the reliability factor of the selected channel exceeds the first reliability factor threshold.

30           16. The device according to any of claims 11 - 14, wherein the processing means are configured to:

increase light intensity of the light-emitting source of the selected channel so that the reliability factor of the selected channel exceeds the first reliability factor threshold.

17. The device according to 14, wherein the processing means are configured to:

5 determine that the reliability factor of a channel is below the first reliability factor threshold;

power on at least one channel the operating power of which was earlier shut down;

10 determine the reliability factor again for one or more channels; and

reselect a channel having the reliability factor above the first reliability factor threshold, or having the reliability factor above the first reliability factor threshold and the lowest power consumption.

18. The device according to claim 11, wherein the processing means are configured to:

20 determine that the reliability factor of a channel is below a second reliability factor threshold; and

shut down operating power from the channel.

19. The device according to any of claims 11 - 25 18, wherein the reliability factor is calculated as

$$\text{SNR} = ||X_{\text{HR}}|| / ||X_{\text{nHR}}||$$

30 where  $X_{\text{HR}}$  is the portion of the signal related to pulsative blood flow,  $X_{\text{nHR}}$  is the portion of the signal not related to pulsatile blood flow, and  $||\cdot||$  is a signal norm operator.

20. A method for processing input signals of a portable pulse measuring device of any of claims 1 - 35 19, comprising:

determining whether a channel comprising a specific light detector detecting radiant energy from a specific light-emitting source exceeds a first reliability factor threshold, the reliability factor indicating an estimate of the reliability of the heart rate reading for the channel; and

5 selecting a channel having a reliability factor above the first reliability factor threshold.

21. The method according to claim 20, further comprising selecting a channel having the highest reliability factor.

22. The method according to claim 20 or 21, further comprising selecting a channel having the lowest power consumption.

15 23. The method according to any of claims 20 - 22, further comprising shutting operating power from at least one channel not selected.

24. The method according to any of claims 20 - 23, further comprising the method comprises reducing light intensity of the light-emitting source of the selected channel so that the reliability factor of the selected channel exceeds the first reliability factor threshold

25 25. The method according to any of claims 20 - 23, further comprising increasing light intensity of the light-emitting source of the selected channel so that the reliability factor of the selected channel exceeds the first reliability factor threshold

26. The method according to claim 23, further comprising determining that the reliability factor of a channel is below the first reliability factor threshold; powering on at least one channel the operating power of which was earlier shut down; determining the reliability factor again for each channel; and

35 reselecting a channel having the reliability factor above the first reliability factor threshold, or hav-

ing the reliability factor above the first reliability factor threshold and the lowest power consumption.

27. The method according to claim 20, further comprising determining that the reliability factor of a channel is below a second reliability factor threshold; and shut down operating power from the channel.

28. A computer program comprising program code, which when executed on a processor, executes the method of any of claims 20 - 27.

29. The computer program according to claim 20, being embodied on a computer-readable medium.

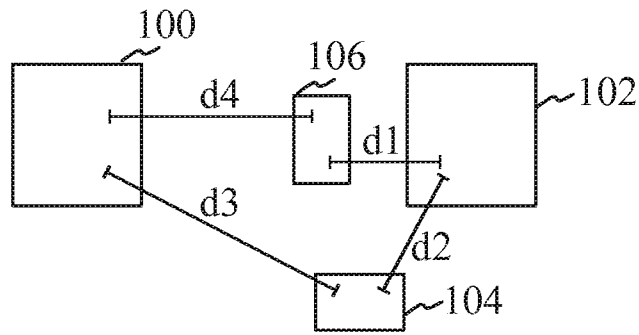


FIG. 1A

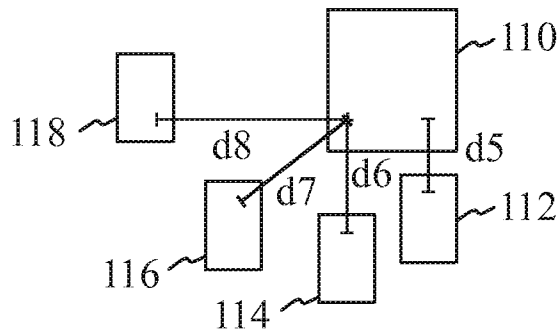


FIG. 1B

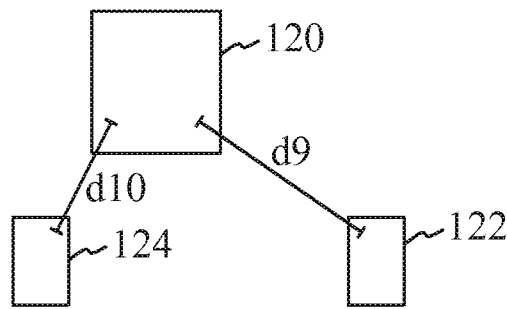


FIG. 1C

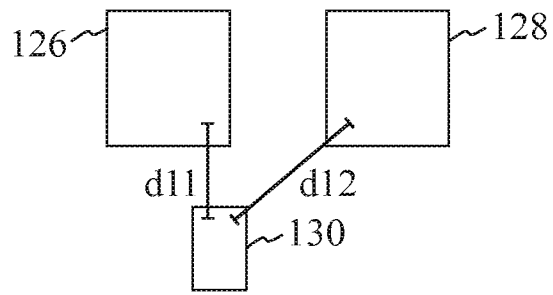


FIG. 1D

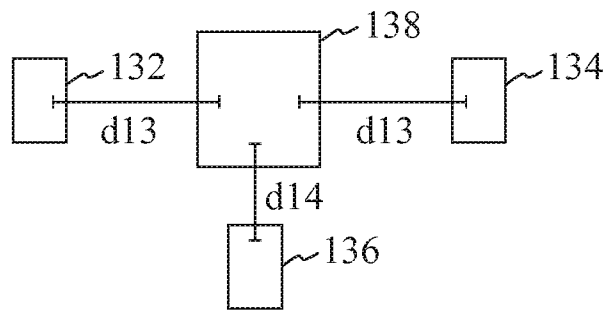
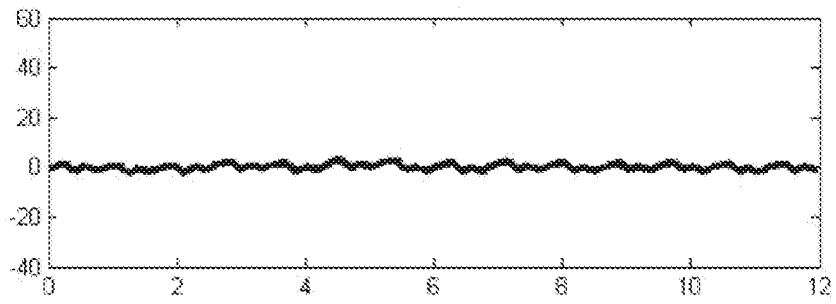


FIG. 1E

3/7

GREEN SIGNAL



IR SIGNAL

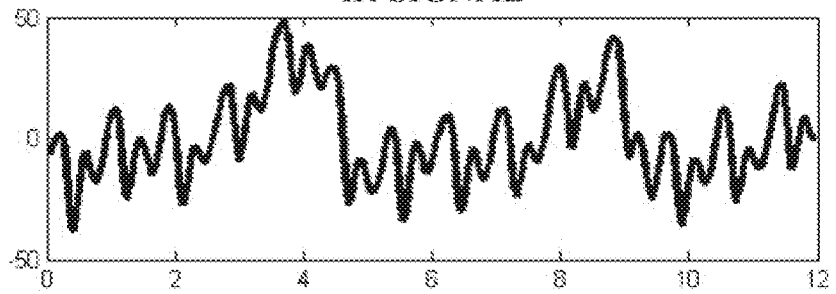
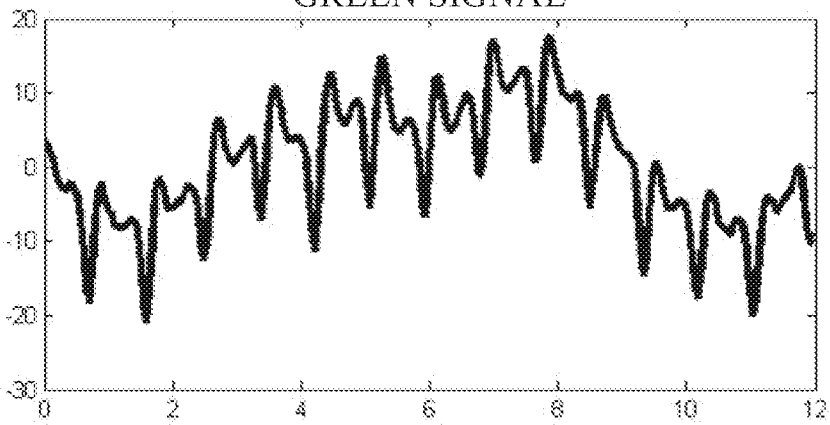


FIG. 2A

GREEN SIGNAL



IR SIGNAL

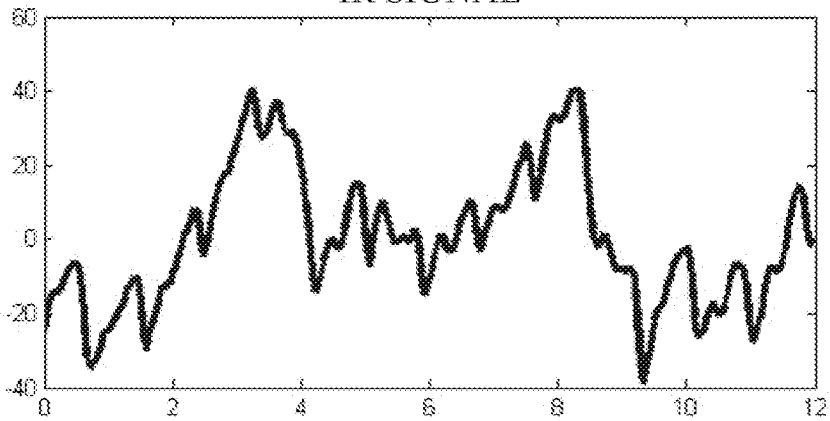


FIG. 2B

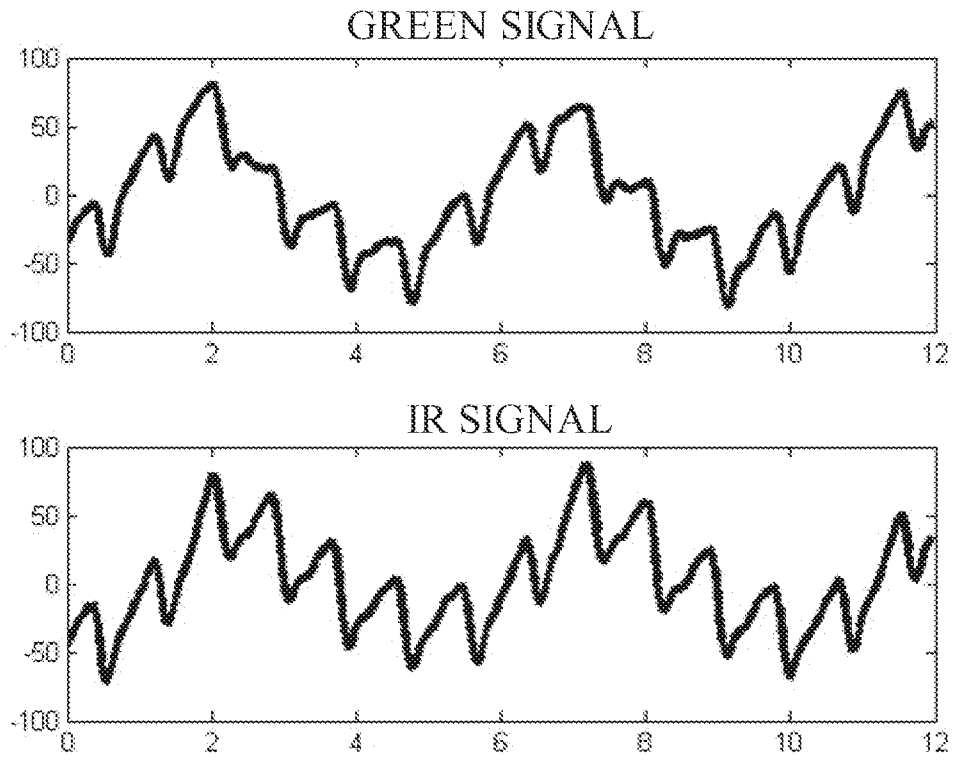


FIG. 2C

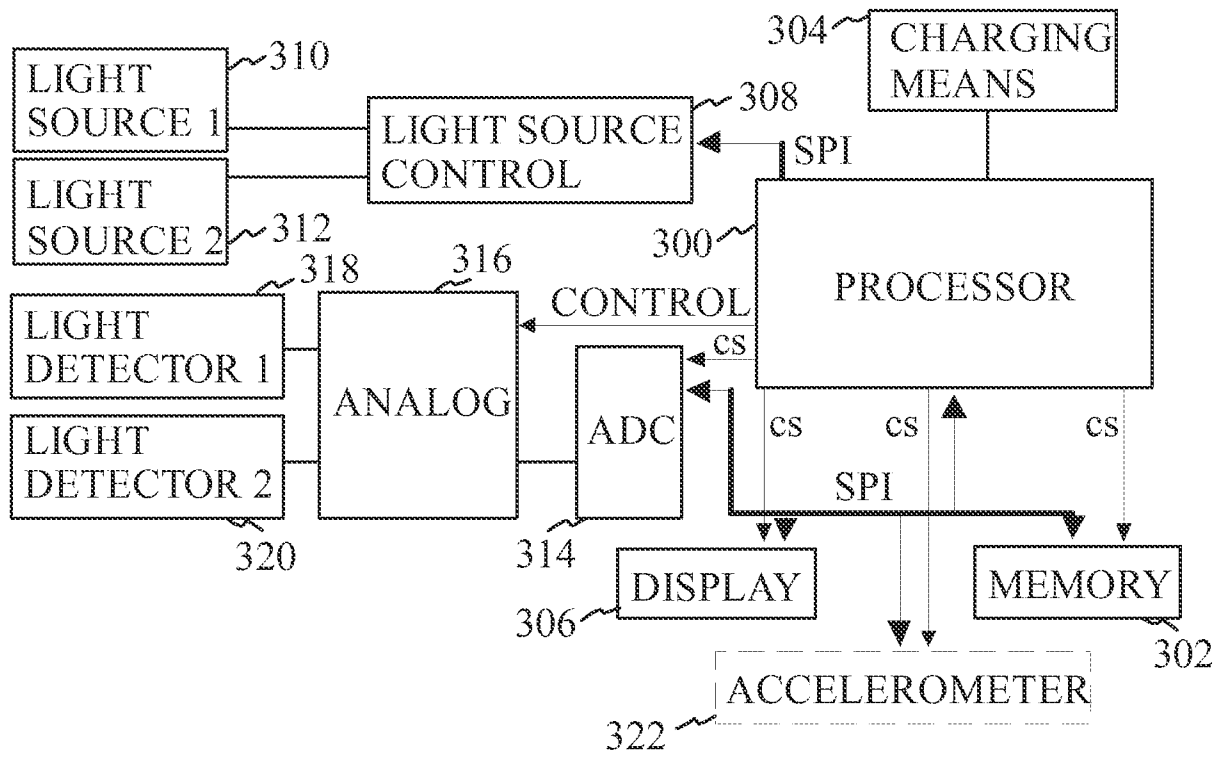


FIG. 3

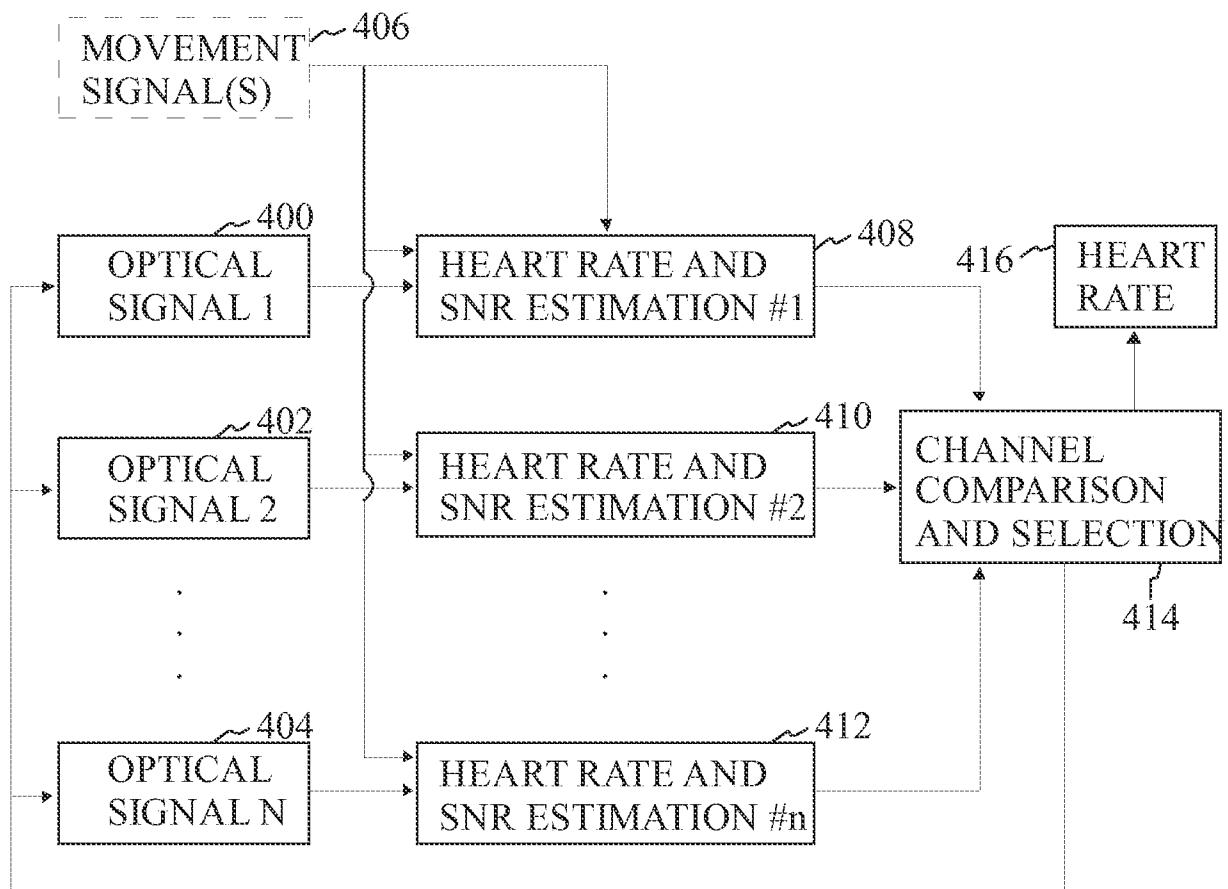


FIG. 4

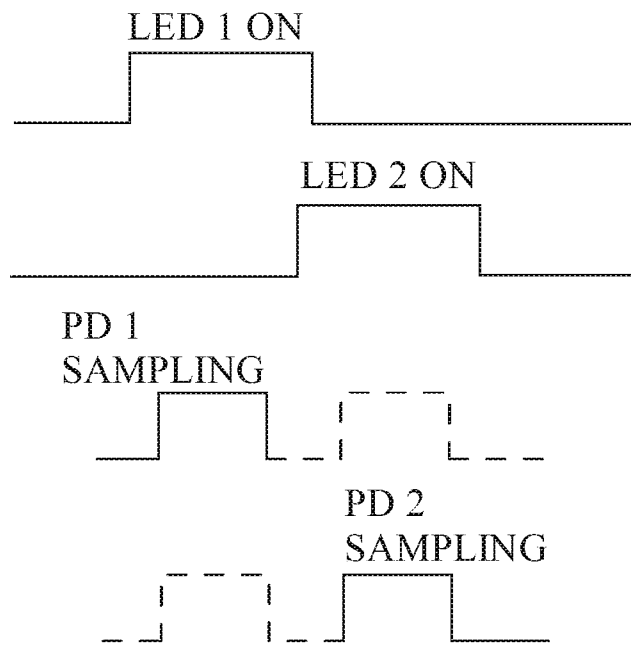


FIG. 5

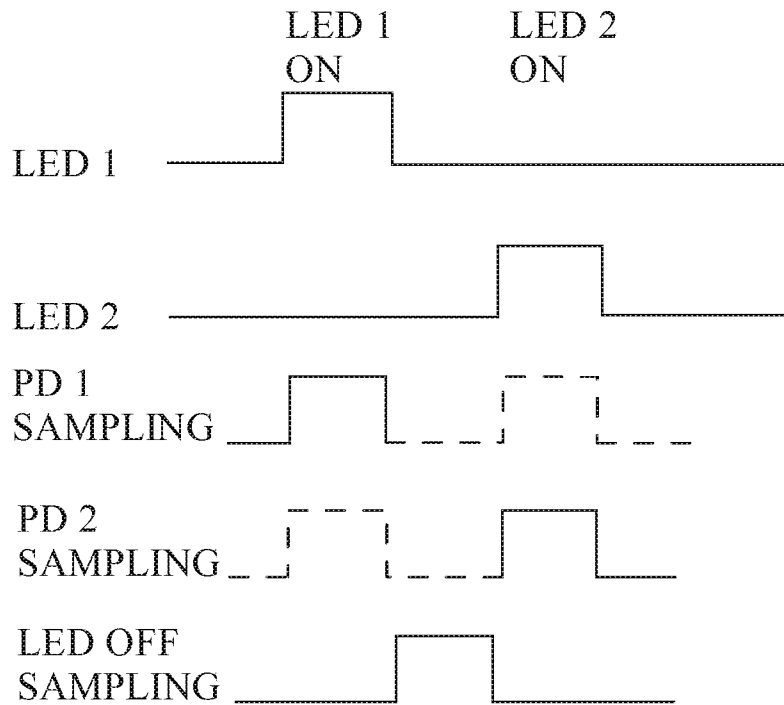


FIG. 6

## INTERNATIONAL SEARCH REPORT

International application No.

PCT/FI201 4/050372

<b>A. CLASSIFICATION OF SUBJECT MATTER</b>		
See extra sheet		
According to International Patent Classification (IPC) or to both national classification and IPC		
<b>B. FIELDS SEARCHED</b>		
Minimum documentation searched (classification system followed by classification symbols)		
IPC: A61 B		
Documentation searched other than minimum documentation to the extent that such documents are included in the fields searched		
FI, SE, NO, DK		
Electronic data base consulted during the international search (name of data base, and, where practicable, search terms used)		
EPO-Internal & translations from Thomson Reuters and IPPH/SIPO, WPI, XPAIP, XPESP, XPESP2, XPI3E, XPIEE, XPIOP, XPOAC, XPRD, XPTK, BIOSIS, COMPDX, EMBASE, INSPEC, MEDLINE, TDB, NPL		
<b>C. DOCUMENTS CONSIDERED TO BE RELEVANT</b>		
Category*	Citation of document, with indication, where appropriate, of the relevant passages	Relevant to claim No.
X	US 201 0113948 A 1 (YANG G Z [GB] et al.) 06 May 201 0 (06.05.201 0) abstract; paragraphs [0006], [0022]-[0024], [0030]-[0031 ], and [0038]- [0041 ]; Figs. 2 and 3	1-2, 5-6, 8-9, 11-29
X	US 201 0331 638 A 1 (BESKO D P [US]) 30 December 201 0 (30.12.201 0) abstract; paragraphs [0004]-[0006], [0026]-[0033], [0038]-[0042], and [0055]; Figs. 1, 2A-2B, and 4	1, 4, 8-9, 11-12, 14, 17, 20-21 , 23, 26, 28-29
X	WO 0 117421 A 1 (OPTOQ AB [SE]) 15 March 2001 (15.03.2001 ) page 26, lines 26-31 ; page 27, lines 1-4; page 30, lines 17-31 ; page 31 , lines 9-31 ; page 32, lines 1-3; page 49, lines 3-20; page 5 1, lines 6-20; Fig. 16	1-2, 4, 8-9
<input checked="" type="checkbox"/> Further documents are listed in the continuation of Box C. <input checked="" type="checkbox"/> See patent family annex.		
* Special categories of cited documents: "A" document defining the general state of the art which is not considered to be of particular relevance "E" earlier application or patent but published on or after the international filing date "L" document which may throw doubts on priority claim(s) or which is cited to establish the publication date of another citation or other special reason (as specified) "O" document referring to an oral disclosure, use, exhibition or other means "P" document published prior to the international filing date but later than the priority date claimed "T" later document published after the international filing date or priority date and not in conflict with the application but cited to understand the principle or theory underlying the invention "X" document of particular relevance; the claimed invention cannot be considered novel or cannot be considered to involve an inventive step when the document is taken alone "Y" document of particular relevance; the claimed invention cannot be considered to involve an inventive step when the document is combined with one or more other such documents, such combination being obvious to a person skilled in the art "&" document member of the same patent family		
Date of the actual completion of the international search		Date of mailing of the international search report
20 August 201 4 (20.08.201 4)		04 September 201 4 (04.09.201 4)
Name and mailing address of the ISA/FI Finnish Patent and Registration Office P.O. Box 1160, FI-00101 HELSINKI, Finland Facsimile No. +358 9 6939 5328		Authorized officer Pekka Alitalo Telephone No. +358 9 6939 500

## INTERNATIONAL SEARCH REPORT

International application No.

PCT/FI201 4/050372

C (Continuation). DOCUMENTS CONSIDERED TO BE RELEVANT		
Category <sup>3*</sup>	Citation of document, with indication, where appropriate, of the relevant passages	Relevant to claim No.
X	WO 200701 2931 A2 (BERNREUTER P [DE]) 01 February 2007 (01.02.2007) abstract; page 1, lines 10-21 ; page 4, lines 20-33; page 6, lines 24-32; page 7, lines 1-8; page 7, lines 25-35; page 8, lines 1-5; page 8, lines 23-28; page 16, lines 11-33; page 17, lines 1-15; page 19, lines 6-17; Figs. 1, 3-4, and 13	1, 10
X	US 6181959 B1 (SCHOELLERMANN H [DE] et al.) 30 January 2001 (30.01.2001) abstract; column 3, lines 13-54; column 6, lines 10-67; column 7, lines 1-11; Figs. 1A-1 C and 2	1, 10
X	US 201 1112387 A1 (LI Y [US] et al.) 12 May 201 1 (12.05.201 1) abstract; paragraphs [0043]-[0045], [0056]-[0057], and [0061]-[0067]; Figs. 3-5	1
A	US 2009054751 A1 (BABASHAN B [US] et al.) 26 February 2009 (26.02.2009) the whole document, especially paragraphs [0095]-[0098] and Fig. 8B	1-29
A	US 2006224054 A1 (MORIYA A [JP] et al.) 05 October 2006 (05.10.2006) the whole document, especially abstract and Figs. 2-4	1-29
A	WO 201 2110955 A1 (GLADSHTEIN R [IL]) 23 August 201 2 (23.08.201 2) the whole document, especially page 14, lines 24-32; page 15, lines 1-4; page 16, lines 6-31 ; Fig. 1	1-29
A	US 20051 87446 A1 (NORDSTROM B [US] et al.) 25 August 2005 (25.08.2005) the whole document	1-29
P, X	US 201 3261 415 A1 (ASHE J M [US] et al.) 03 October 201 3 (03.10.201 3) paragraphs [0029]-[0035] and [0062]-[0068]; Figs. 1-4	1-2, 8, 11-12, 15-16, 20-21 , 24-25, 28-29

INTERNATIONAL SEARCH REPORT

International application No.  
PCT/FI201 4/050372

CLASSIFICATION OF SUBJECT MATTER

IPC  
**A61B 5/024** (2006.01 )  
**A61B 5/0295** (2006.01 )  
**A61B 5/00** (2006.01 )

**INTERNATIONAL SEARCH REPORT**  
**Information on Patent Family Members**

International application No.  
PCT/FI201 4/050372

Patent document cited in search report	Publication date	Patent family members(s)	Publication date
US 201 0113948 A 1	06/05/201 0	CN 101730503 A	09/06/201 0
		EP 2139388 A 1	06/01/201 0
		GB 0705033 D O	25/04/2007
		WO 20081 10788 A 1	18/09/2008
.....			
US 201 0331 638 A 1	30/1 2/201 0	US 831 1601 B 2	13/1 1/201 2
		EP 2448466 A 1	09/05/201 2
		US 201 3035562 A 1	07/02/201 3
		WO 201 1008382 A 1	20/01/201 1
.....			
WO 0117421 A 1	15/03/2001	AU 7466300 A	10/04/2001
		AU 7466400 A	10/04/2001
		AU 7466500 A	10/04/2001
		EP 1210007 A 1	05/06/2002
		EP 1210008 A 1	05/06/2002
		EP 1210009 A 1	05/06/2002
		JP 20035081 43 A	04/03/2003
		JP 20035081 44 A	04/03/2003
		JP 2003508765 A	04/03/2003
		SE 99031 82 D O	08/09/1 999
		SE 99031 82 A	09/03/2001
		SE 99031 82 L	09/03/2001
		SE 516836 C 2	12/03/2002
		SE 0001 711 D O	09/05/2000
		SE 0001 711 A	10/1 1/2001
		SE 0001 711 L	10/1 1/2001
		SE 516856 C 2	12/03/2002
WO 0117420 A 1	15/03/2001		
WO 0117422 A 1	15/03/2001		
.....			
WO 200701 2931 A 2	01/02/2007	EP 1860998 A 2	05/1 2/2007
		EP 2178438 A 2	28/04/201 0
		JP 2008532680 A	21/08/2008
		JP 201 0534083 A	04/1 1/201 0
		US 7865223 B 1	04/01/201 1
		US 200801 5424 A 1	17/01/2008
		US 8055321 B 2	08/1 1/201 1
		US 201 1060200 A 1	10/03/201 1
		US 201 2190946 A 1	26/07/201 2
WO 200901 3608 A 2	29/01/2009		
.....			

**INTERNATIONAL SEARCH REPORT**  
**Information on Patent Family Members**

International application No.  
PCT/FI201 4/050372

Patent document cited in search report	Publication date	Patent family members(s)	Publication date
US 6 181 959 B 1	30/01 /2001	DE 59704665 D 1	25/1 0/2001
		EP 089261 7 A 1	27/01/1 999
		EP 089261 7 B 1	19/09/2001
		ES 2 162672 T3	01/01/2002
		JP 2000507465 A	20/06/2000
		JP 3789487 B2	21/06/2006
		WO 9736538 A 1	09/1 0/1 997
.....			
US 201 1112387 A 1	12/05/201 1	US 8588878 B2	19/1 1/201 3
		US 201 4073886 A 1	13/03/201 4
.....			
US 2009054751 A 1	26/02/2009	None	
.....			
US 2006224054 A 1	05/1 0/2006	US 7470235 B2	30/1 2/2008
		JP 2006271 896 A	12/1 0/2006
		JP 422991 9 B2	25/02/2009
.....			
WO 201 2 110955 A 1	23/08/201 2	GB 201 3 16 16 1 DO	23/1 0/201 3
		GB 2502236 A	20/1 1/201 3
		US 201 3324866 A 1	05/1 2/201 3
.....			
US 20051 87446 A 1	25/08/2005	US 7 162288 B2	09/01/2007
		AT 391 454 T	15/04/2008
		AU 200521 6976 A 1	09/09/2005
		CA 2556724 A 1	09/09/2005
		CA 2556724 C	18/02/201 4
		CN 1929777 A	14/03/2007
		DE 602005005964 D 1	21/05/2008
		DE 602005005964 T2	20/05/2009
		EP 1722674 A 1	22/1 1/2006
		EP 1722674 B 1	09/04/2008
		ES 23061 22 T3	01/1 1/2008
		JP 2007523732 A	23/08/2007
		JP 4756027 B2	24/08/201 1
		MX PA06009754 A	15/03/2007
		US 2007208240 A 1	06/09/2007
		US 7499740 B2	03/03/2009
		WO 2005082240 A 1	09/09/2005
.....			

**INTERNATIONAL SEARCH REPORT**  
**Information on Patent Family Members**

International application No.  
PCT/FI201 4/050372

Patent document cited in search report	Publication date	Patent family members(s)	Publication date
US 201 3261 4 15 A 1	03/1 0/201 3	None	
.....			

专利名称(译)	便携式脉搏测量装置		
公开(公告)号	<a href="#">EP2996553A4</a>	公开(公告)日	2017-02-15
申请号	EP2014798224	申请日	2014-05-15
[标]申请(专利权)人(译)	普尔赛昂公司		
申请(专利权)人(译)	PULSEON OY		
当前申请(专利权)人(译)	PULSEON OY		
[标]发明人	NOUSIAINEN JARI KORHONEN ILKKA		
发明人	NOUSIAINEN, JARI KORHONEN, ILKKA		
IPC分类号	A61B5/024 A61B5/0295 A61B5/00		
CPC分类号	A61B5/02427 A61B5/02433 A61B5/0295 A61B5/7203 A61B2560/0209 A61B5/02416 A61B5/02438 A61B5/6801 A61B5/024 A61B5/0261 A61B5/14551 A61B5/7207 A61B5/7221 A61B5/726		
优先权	2013005520 2013-05-15 FI		
其他公开文献	EP2996553A1		
外部链接	<a href="#">Espacenet</a>		

#### 摘要(译)

一种具有照明结构的便携式脉搏测量装置，所述照明结构具有至少三个元件，所述至少三个元件选自用于通过人体组织发射辐射能量的发光源和用于在通过人体组织传播之后检测所述辐射能量的强度的光检测器，用于提供表示传播的输入信号。照明配置包括至少一个发光源和至少一个光检测器。提供了处理器，用于响应于处理输入信号来确定脉冲速率。照明配置中的元件被布置在便携式脉搏测量装置中，其中照明配置中的发光源相对于照明配置中的光探测器不对称地设置。