

(19) World Intellectual Property Organization  
International Bureau



(43) International Publication Date  
22 October 2009 (22.10.2009)

(10) International Publication Number  
**WO 2009/127947 A2**

(51) International Patent Classification:

A61J 7/00 (2006.01) A61H 1/00 (2006.01)  
A61B 5/00 (2006.01) A61N 1/18 (2006.01)  
A61F 5/00 (2006.01) A61N 1/36 (2006.01)

(21) International Application Number:

PCT/IB2009/005252

(22) International Filing Date:

15 April 2009 (15.04.2009)

(25) Filing Language:

English

(26) Publication Language:

English

(30) Priority Data:

61/071,144 15 April 2008 (15.04.2008) US

(71) Applicants (for all designated States except US):

TRUDELL MEDICAL INTERNATIONAL [CA/CA];  
725 Third Street, London, Ontario N5V 5G4 (CA). UNI-  
VERSITY OF WESTERN ONTARIO [CA/CA]; 1151  
Richmond Street, London, Ontario N6A 3K7 (CA).

(72) Inventors: MARTIN, Ruth, E.; 1333 Corley Drive

North, London, Ontario N6G 4L4 (CA). NUTTALL,  
Michael; 919 Waterloo Street, London Ontario N6A 3X2  
(CA). BARAN, Mitchell, A.; 1875 Richmond Street  
North, London, Ontario N5X 3Z3 (CA). BARAN,  
George; 39 Cobblestone Road, London, Ontario N5Y  
5M7 (CA). FINLAY, Bryan; 61 Hampton Crescent, Lon-  
don, Ontario N6H 2P1 (CA). THEURER, Julie; 3189

Pomeroy Lane, London, Ontario N6P 1V7 (CA). TROT-  
TER, Sarah; 558-291 Windermere Road, London, On-  
tario N6G 2J9 (CA).

(81) Designated States (unless otherwise indicated, for every

kind of national protection available): AE, AG, AL, AM,  
AO, AT, AU, AZ, BA, BB, BG, BH, BR, BW, BY, BZ,  
CA, CH, CN, CO, CR, CU, CZ, DE, DK, DM, DO, DZ,  
EC, EE, EG, ES, FI, GB, GD, GE, GH, GM, GT, HN,  
HR, HU, ID, IL, IN, IS, JP, KE, KG, KM, KN, KP, KR,  
KZ, LA, LC, LK, LR, LS, LT, LU, LY, MA, MD, ME,  
MG, MK, MN, MW, MX, MY, MZ, NA, NG, NI, NO,  
NZ, OM, PG, PH, PL, PT, RO, RS, RU, SC, SD, SE, SG,  
SK, SL, SM, ST, SV, SY, TJ, TM, TN, TR, TT, TZ, UA,  
UG, US, UZ, VC, VN, ZA, ZM, ZW.

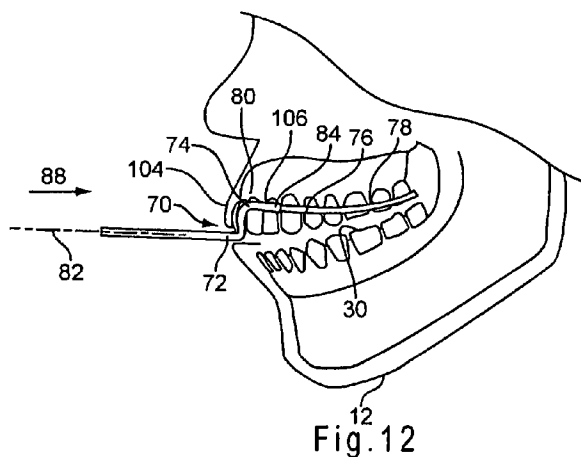
(84) Designated States (unless otherwise indicated, for every

kind of regional protection available): ARIPO (BW, GH,  
GM, KE, LS, MW, MZ, NA, SD, SL, SZ, TZ, UG, ZM,  
ZW), Eurasian (AM, AZ, BY, KG, KZ, MD, RU, TJ,  
TM), European (AT, BE, BG, CH, CY, CZ, DE, DK, EE,  
ES, FI, FR, GB, GR, HR, HU, IE, IS, IT, LT, LU, LV,  
MC, MK, MT, NL, NO, PL, PT, RO, SE, SI, SK, TR),  
OAPI (BF, BJ, CF, CG, CI, CM, GA, GN, GQ, GW, ML,  
MR, NE, SN, TD, TG).

Published:

— without international search report and to be republished  
upon receipt of that report (Rule 48.2(g))

(54) Title: SWALLOWING AIR PULSE THERAPY MOUTHPIECE AND METHOD FOR THE USE THEREOF



(57) Abstract: An oral appliance for administering a stimulus, such as a substance, to the mouth of a user includes a flexible tube having an inlet portion, a first curved portion forming an ear loop connected to the inlet portion, a second curved portion forming a lip bend connected to the first curved portion, and an outlet portion extending from the second curved portion. Alternatively, a mouthpiece for delivering a substance to the mouth of a user includes a housing having an inlet portion, a riser portion extending upwardly from the inlet portion and a curved outlet portion. A flexible tube is coupled to the housing. A method of delivering a substance to a predetermined location in a user's mouth includes disposing a flexible tube between a row of teeth and an interior surface of a cheek. The flexible tube has an exit port positioned in a rear portion of the user's mouth. No portion of the flexible tube is disposed between the upper and lower teeth of the user such that the upper and lower teeth can be closed against each other. The method further includes dispensing a substance through the exit port.



WO 2009/127947 A2

## SWALLOWING AIR PULSE THERAPY MOUTHPIECE AND METHOD FOR THE USE THEREOF

**[0001]** This application claims the benefit of U.S. Provisional Patent Application No. 61/071,144, entitled Swallowing Air Pulse Therapy Mouthpiece and Method for the Use Thereof and filed April 15, 2008, the entire disclosure of which is hereby incorporated herein by reference.

### TECHNICAL FIELD

**[0002]** The present invention relates generally to an oral appliance used to administer a stimulus to a human or animal to elicit and/or facilitate a desired physiological response and in particular, to a mouthpiece for delivering a substance to a human or animal to elicit and/or facilitate swallowing and a method for the use thereof.

### BACKGROUND

**[0003]** Dysphagia is a condition in which a person has difficulty swallowing, characterized by impaired transport of saliva, drink, and food from mouth to stomach. Dysphagia results from disease, or damage, to the neural and/or aerodigestive tract structures that produce swallowing (Logemann, 1998). Often, dysphagia presents in stroke patients, patients with other acute neurological conditions, patients having Parkinson's disease or other neurodegenerative diseases, cerebral palsy or chronic obstructive pulmonary disease (COPD) and/or in response to various cancer treatments, wherein the patient has difficulty in, and/or experiences pain with, swallowing. Likewise, other patients may exhibit various swallowing, speech, salivary and/or oral sensory impairments. Dysphagia compounds these health problems via resultant complications, most commonly aspiration pneumonia secondary to entry of saliva or food into the lungs, dehydration and malnutrition (Smithard et al., 1996). As such, some deaths attributed to stroke, may actually be caused by dysphagia and the resulting complication of pneumonia. These complications may also lead to extended

hospital stays, emergency room visits, re-admissions, long-term institutional care and need for expensive respiratory and nutritional support. The cost of dysphagia to North American health care systems is estimated to exceed 1 billion USD annually (Agency for Health Care Research and Quality, US Centers for Disease Control and Prevention). Moreover, because dysphagia is most common among the elderly, its prevalence will increase as the population ages over the next 40 years.

**[0004]** In response, various techniques and treatments have been developed to induce or stimulate swallowing, which can provide various therapeutic benefits to the patient or user. For example, as disclosed in US Pub. No. 2006/0282010A1, entitled Oral Device (the entirety of which is hereby incorporated herein by reference), a device and method for inducing swallowing in a patient includes delivering one or more gas pulses to a predetermined area of the mouth and/or throat. The delivery device includes a molded dental splint that is fitted over the patient's lower teeth and is disposed between the teeth of the user.

**[0005]** Another swallowing therapy is VitalStim, which applies electrical stimulation to the neck overlying the laryngeal muscles with the goal of augmenting laryngeal elevation during swallowing (Freed et al. 2001).

## SUMMARY

**[0006]** The present invention is defined by the following claims, and nothing in this section should be considered to be a limitation on those claims.

**[0007]** In a first aspect, one embodiment of an oral appliance for delivering a substance to the mouth of a user includes a flexible tube having an inlet portion, a first curved portion forming an ear loop connected to the inlet portion, a second curved portion forming a lip bend connected to the first curved portion, and an outlet portion extending from the second curved portion. In one embodiment, the outlet portion may also include a third curved portion and an end portion having a gas exit port. In one embodiment, the end portion is also curved. In one embodiment, the first and second curved portions may have a curvature in a first

plane, and the third curved portion may have a curvature in a second plane non-parallel to the first plane.

**[0008]** In one embodiment, the oral appliance includes a second tube portion also having an ear loop, lip bend and gas exit port. The inlet portions of the first and second tube portions can be connected. In one embodiment, the outlet portions of the first and second tube portions are connected by a manifold.

**[0009]** In another embodiment, an oral appliance for delivering a substance to the mouth of a user includes a housing having an inlet portion, a riser portion extending upwardly from the inlet portion and a curved outlet portion. The outlet portion has a pair of branches extending laterally outwardly from the riser portion. A flexible tube is coupled to the housing and extends through the inlet portion, the riser portion and out of at least one of the branches of the outlet portion. The flexible tube has an end portion extending from the outlet portion of the housing. The end portion has a fluid exit port positioned downstream of the outlet portion of the housing. In one embodiment, the curved outlet portion may have a first curvature when viewing the curved outlet portion from a first direction. The curved outlet portion may also have a second curvature when viewing the curved outlet portion from a second direction, wherein the first and second directions are non-parallel.

**[0010]** In another aspect, a method of delivering a substance to a predetermined location in a user's mouth includes disposing a flexible tube between an outer side of a row of teeth and an inner surface of a cheek. The flexible tube has an exit port positioned in a rear region of the mouth. No portion of the flexible tube is disposed between the upper and lower teeth of the user such that the upper and lower teeth can be closed against each other or in close approximation to each other. The method further includes dispensing a substance through the exit port. Various embodiments of the method may also include disposing a curved portion of the flexible tube around an ear of the user, and/or disposing a curved portion around a lip of the user. In various embodiments, the flexible tube may be disposed between lateral surfaces of lower teeth and the

cheek of the user, or between lateral surfaces of upper teeth and the cheek of the user. In one embodiment, orientation indicia may be provided to instruct the user about the proper orientation of the device relative to the user and/or substance supply/control unit.

5 **[0011]** In yet another aspect, a method for assembling a substance delivery device includes forming the flexible tube, for example to define an ear loop, lip bend and curved end portion. The method of assembling may include fitting a tube within a channel formed in a housing.

10 **[0012]** The various aspects and embodiments provide significant advantages relative to the prior known devices. In particular, the oral appliance can be made easily and quickly without having to customize the device to a particular user. The flexible tube follows the natural contours of the user's face and mouth. Moreover, the flexible tube is self-supporting in the preferred location in the user's mouth, and is maintained in a proper position even with patients/users experiencing  
15 numbness or weakness of the lips, tongue or jaw. The device is not fitted over or between the user's upper and lower teeth, and does not have to be held in place by specific jaw positioning. In this way, the flexible tubing, which is disposed between the user's teeth and cheek, does not interfere with normal speech, eating, drinking swallowing, etc., or with the fluid pulse delivery and swallowing therapy.

20 **[0013]** In addition, the oral appliance and method for the use thereof does not require the patient to follow instructions or produce voluntary movements of the mouth. Rather, the therapy involves the delivery of a train of at least one pulse of a substance to the patient, who is a passive recipient. This can be important since patients at risk of dysphagia may be unable to follow complex instructions or  
25 produce voluntary movements. In another aspect, however, the therapy can be applied in association with voluntary attempts to swallow by a patient. In other aspects, the therapy can be used to enhance behavioral therapy, for example, by providing information about the swallow, obtained from physiological recordings, to the patient, as a form of (bio)feedback. In addition, patients do not need to be  
30 able to eat by mouth, meaning they can receive the therapy when a nasogastric or

gastrostomy tube is in place. In addition, the mouthpiece and method can be used outside of a clinical setting, for example at home, which has advantages over other types of therapy such a VitalStim. Moreover, the device is relatively non-invasive, and does not require any intrusion through the patient's nose and pharynx.

**[0014]** The foregoing paragraphs have been provided by way of general introduction, and are not intended to limit the scope of the following claims. The various preferred embodiments, together with further advantages, will be best understood by reference to the following detailed description taken in conjunction with the accompanying drawings.

#### BRIEF DESCRIPTION OF THE DRAWINGS

**[0015]** Figure 1 is a plan view of a first embodiment of an oral appliance.

**[0016]** Figure 2 is a partial side view of the oral appliance shown in FIG. 1 taking along line 2-2.

**[0017]** Figure 3 is a partial, enlarged view of the oral appliance shown in FIG. 1.

**[0018]** Figure 4 is a front view of a user with the oral appliance of FIG. 1 located in an operational position.

**[0019]** Figure 5 is a side view of a user with the oral appliance of FIG. 1 located in an operational position.

**[0020]** Figure 6 is a perspective view of a second embodiment of an oral appliance.

**[0021]** Figure 7 is a side view of the oral appliance shown in FIG. 6.

**[0022]** Figure 8 is a plan view of the oral appliance shown in FIG. 6.

**[0023]** Figure 9 is a front view of the oral appliance shown in FIG. 6.

**[0024]** Figure 10 is a plan view of a third embodiment of an oral appliance positioned in the mouth of the user.

**[0025]** Figure 11 is a partial plan view of portions of an oral appliance disposed in the mouth of the user.

**[0026]** Figure 12 is a partial, side cross-sectional view of the oral appliance of FIG. 6 disposed in the mouth of a user.

**[0027]** Figure 13 is an enlarged, cross-sectional view of one embodiment of a tube.

5 **[0028]** Figure 14 is a perspective view of one embodiment of the mouthpiece.

**[0029]** Figure 15 is a perspective view of the mouthpiece shown positioned in a subject's vestibule and showing multiple ports.

**[0030]** Figure 16 is a perspective view of the mouthpiece shown positioned at the gingival margin of the upper teeth.

10 **[0031]** Figure 17 is a perspective view of the mouthpiece shown positioned at the occlusal plane.

**[0032]** Figure 18 is a perspective view of the mouthpiece shown positioned at the gingival margin of the lower teeth.

15 **[0033]** Figure 19 is an illustration of the swallowing air pulse system including a signal generator, air pressure regulator, mouth piece and system for delivering a substance.

**[0034]** Figure 20 is magnified illustration of an aerosol catheter with aerosolized liquid exiting the tip.

20 **[0035]** Figure 21 shows an intracortical microstimulation of the lateral primary motor cortex showing face primary motor cortex.

**[0036]** Figure 22 shows functional magnetic resonance imaging of swallowing, tongue elevation, and finger opposition.

**[0037]** Figure 23 shows a lower dental splint for the delivery of oropharyngeal air-pulse application.

25 **[0038]** Figure 24 shows recordings of laryngeal and respiratory sensors during bilateral oropharyngeal air-pulse application.

**[0039]** Figure 25 shows swallowing frequency in relation to oropharyngeal air-pulse application.

**[0040]** Figure 26 shows swallowing rate in a patient with dysphagia.

**[0041]** Figure 27 shows functional magnetic resonance imaging of oropharyngeal air-pulse application.

**[0042]** Figure 28 shows functional magnetic resonance imaging of air-pulse induced associated swallowing.

5 **[0043]** Figure 29 shows a buccal mouthpiece for oropharyngeal air-pulse application.

**[0044]** Figure 30 shows swallowing rate during oropharyngeal air-pulse application in elderly individuals.

10 **[0045]** Figure 31 shows the SWAPT system with attached mouthpiece for oropharyngeal application.

**[0046]** Figure 32 shows an embodiment of a vibratory SWAPT mouthpiece.

**[0047]** Figure 33 shows an embodiment of an electrical stimulation SWAPT mouthpiece.

15 **DETAILED DESCRIPTION OF THE DRAWINGS**

**[0048]** The terms “top,” “bottom,” “upwardly” and “downwardly” are intended to indicate directions when viewing the oral appliance from the perspective of the user. The term “lateral,” as used in this application, means situated on, directed toward or running from side-to-side, for example and without limitation from one side of the user’s mouth to the other. It should be understood that the term “plurality,” as used in this application, means two or more. The term “longitudinal,” as used in this application means of or relating to length or the lengthwise direction. The term “coupled” as used in this application means connected to or engaged with whether directly or indirectly, for example with an intervening member, and does not require the engagement to be fixed or permanent, although it may be fixed or permanent, and includes both mechanical and electrical connection. It should be understood that the term “substance” as used in this application includes without limitation a fluid, such as a gas, liquid or combination thereof (including an aerosolized liquid), and/or a powder, including particles entrained in any fluid, or combinations thereof. The terms “includes” and

20  
25  
30

“including” as used in this application mean includes and including without limitation.

**[0049]** As disclosed herein, a method and apparatus are provided for delivering or applying at least one uni-modal or multi-modal sensory stimulus to the receptive field(s) of at least one sensory cranial nerve within the oral cavity, oropharynx, and pharynx of a human or other animal for the purpose of (1) initiating, evoking or facilitating swallowing, speech production, salivation, or an oral or oropharyngeal sensorimotor behaviour in a subject, (2) increasing lubrication of the oral cavity, oropharynx, and pharynx in a subject, (3) decreasing oral or oropharyngeal or pharyngeal discomfort in a subject, (4) contraction of muscles of the lips, mouth, buccal area, tongue, jaw, soft palate, pharynx, larynx, any of which could result in muscle strengthening with repeated use of the oral appliance; (5) movement of the lips, mouth, buccal area, tongue, jaw, soft palate, pharynx, larynx, including elevation of the larynx, including pre-swallow oral transport movements and pre-swallow chewing-like movements; and/or (6) sensations from the oral cavity or oropharynx that include somatic, thermal or gustatory sensations. For example, the Swallowing Air-Pulse Therapy (SWAPT) embodiments disclosed herein maximize SWAPT-related swallowing facilitation by delivering multi-modal sensory stimulation to the subject; by reducing a subject's adaptation to the SWAPT sensory stimulus by altering the parameters of the SWAPT stimulus over time; or by applying SWAPT in association with voluntary preparation to perform a behavior, for example, preparing to swallow, or actual execution of a sensorimotor behavior performed by a person/patient such that the facilitatory effects of SWAPT act as a conditioning stimulus for the subsequent sensorimotor behavior. These effects are achieved through various embodiments namely: SWAPT with aerosol; various SWAPT mouthpiece embodiments; SWAPT with gustatory stimuli; SWAPT with thermal stimuli; and/or SWAPT with electrical stimulation or kinetic stimulation, and/or combinations thereof, and methods for delivering (i.e., triggering) SWAPT in association with a sensorimotor behaviour performed by a patient/subject. The

application can be performed by direct contact with the tissues within which sensory receptors are located in the mouth or oropharynx of a human or animal or indirectly by delivering a substance that comes into direct contact with tissues within which sensory receptors are located in the mouth or oropharynx of a human or animal. Examples of direct contact includes without limitation placing the oral appliance in direct contact with an area of the mouth of a human or animal such that the appliance excites sensory receptors located within the contacted oral tissues and structures and by a kinetic effect within the oral appliance or a part thereof, for example, vibration or by applying an electrical current to such an area. Examples of indirect contact include without limitation delivering a fluid, such as a gas, liquid or aerosolized liquid, or a powder to an area in the mouth or oropharynx of a human or animal that includes sensory receptive fields.

**[0050]** The SWAPT embodiments disclosed herein generalize SWAPT-related swallowing facilitation by: providing a means of establishing an association between the SWAPT sensory stimulation and a sensorimotor response (skill) such that the swallowing reflexogenic properties of the SWAPT stimulus are, over training with SWAPT, assumed by the sensorimotor response alone through a process of conditioning; or providing a means of using SWAPT during eating, thereby generalizing SWAPT beyond saliva swallowing to prandial swallowing. These effects may be achieved through various embodiments, including methods for delivering (i.e., triggering) SWAPT in association with a sensorimotor behavior performed by a subject, for example, triggering SWAPT in relation to points within the respiratory cycle, in relation to swallowing preparation, or in relation to an attempt to swallow; and methods for delivering SWAPT to a subject patient during drinking and eating of liquids and solid foods.

**[0051]** Stimuli applied over the receptive field of the superior laryngeal nerve (SLN) are effective in evoking pharyngeal swallowing (Doty, 1968; Miller, 1999). Activating sensory fibers, of the glossopharyngeal nerve (IX) also evokes pharyngeal swallowing, but at higher thresholds (Sinclair, 1970). Sensory inputs to receptive fields innervated by both the IX and SLN are believed to be the most

effective in evoking pharyngeal swallowing (Miller, 1999). Thus, swallowing therapies that stimulate receptive fields innervated by both the glossopharyngeal and SLN are expected to have a greater facilitatory effect on swallowing than therapies that excite only IX sensory fibers, or only SLN sensory fibers.

5 Consistent with this, in one embodiment, SWAPT delivers air pulses (and/or aerosol) to receptive fields innervated by both the IX and SLN. This is a physiologically-based advantage of SWAPT that is not shared by other technologies that stimulate either the IX receptive field, or the SLN receptive field, but not both. Thus, a method is provided for simultaneously, or sequentially,  
10 stimulating the receptive fields of both the IX and SLN.

**[0052]** Mechanosensitive sensory fibers of the oral and pharyngeal regions synapse primarily in the trigeminal sensory nucleus within the brainstem, with fewer synapsing in the nucleus tractus solitarius (NTS). The NTS is the anatomic location of the so-called "brainstem swallowing centre", the bilateral neural  
15 network within the brainstem that programs and orchestrates execution of the pharyngeal swallow (Jean, 2001). Taste-receptive sensory fibers (including water receptors) synapse primarily in the NTS. Although oral, pharyngeal, and laryngeal sensory inputs synapse in both the trigeminal sensory nucleus and the NTS, only sensory inputs to the NTS (and its surrounding reticular formation) initiate  
20 swallowing. Neurons within the NTS are multimodal, that is, they are excited by multiple sensory modalities (e.g., mechanical, gustatory, thermal) (Dubner, Sessle, Storey, 1978; Miller, 1999). Thus, the facilitatory effect of a sensory input of one modality is expected to summate with the facilitatory effects of sensory inputs of other modalities in terms of leading to action potentials that give rise to triggering  
25 of the brainstem swallowing centre and subsequent pharyngeal swallow. One embodiment of SWAPT provides the advantage of delivering multi-modal sensory stimulation to the oropharynx or mouth of a person. That is, the SWAPT air-pulse trains represent both mechanical and thermal stimulation. Evidence supporting the thermal property of the SWAPT air-pulse train is found in our study by Theurer et al. (2005) in which healthy controls reported that the oropharyngeal air-pulse  
30

trains were perceived as cool. Potential mechanisms for this thermal sensory effect are described below.

**[0053]** A moving stimulus applied to a given region of the oropharynx evokes a particular reflex (e.g., swallow, gag, etc.) depending on the pattern of movement (e.g., the type of movement, movement direction, movement velocity). Sensory stimulation with distilled water to receptive fields innervated by the glossopharyngeal (IX) nerve evokes swallowing in the anesthetized cat (Ootani et al., 1995). Water applied to the pharynx is effective as a stimulus for pharyngeal swallowing in humans (Nichino, 1993). Studies in experimental animals have shown that water applied to different regions of the pharyngeal mucosa is a more effective stimulus than pressure in terms of inducing pharyngeal swallowing (Storey, 1968). Neurons within the nucleus tractus solitarius (NTS) of the brainstem swallowing neural network are multimodal, that is, they are excited by multiple sensory modalities (e.g., mechanical, gustatory, thermal). Thus, multi-modal stimuli are expected to facilitate swallowing more effectively than uni-modal stimuli.

**[0054]** Pharyngeal swallowing is also evoked in experimental animals by oropharyngeal and /or laryngeal application of: sodium chloride (NaCl), sodium sulphate (Na<sub>2</sub>SO<sub>4</sub>) sucrose, acetic acid, quinine-hydrochloride, and ethanol (Shingai and Shimada, 1976). A sour bolus (i.e., 50% lemon juice, 50% barium) has been reported to reduce swallowing latency in dysphagic patients following stroke, and reduce aspiration in patients with other etiologies of neurologically-based dysphagia (Logemann et al. 1995).

**[0055]** One embodiment of the Swallowing Air-Pulse Therapy with Aerosolized Liquid (SWAPT-AL) system is shown in FIG. 15. The aerosol delivery is regulated by a general control unit 140 (FIGS. 15 and 31). In one preferred embodiment, the components of the control unit may include a reservoir syringe that acts as a holding chamber for a liquid and a cap that articulates with the proximal end of the syringe. The cap houses tubing that provides a portal through which air pressure acts on the liquid. The SWAPT includes a catheter

with one or more than one lumens. One lumen carries pressurized liquid. A second lumen carries pressurized medical air or a biocompatible gas. The catheter may involve one-or-more lumens ejecting air at its distal tip to aerosolize liquid that is simultaneously ejected from one-or-more lumens at its tip and in close proximity to the exit of the air-carrying lumens. An air-pressure regulator controls the (1) pressure acting on the liquid and gas (lumens) within the catheter, and (2) the duration of a single air pulse. A signal generator controls the duration of a train of air-pulses, and the frequency of pulses within the train. A pressurized tank supplies medical air and an associated air-pressure regulator. The liquid reservoir may include any sealed vessel or tube with at least one outlet that may be pressurized by pneumatic, hydraulic or mechanical means. The reservoir may be pre-filled upon manufacture, or be fitted with a port or opening to facilitate filling by the caregiver or user.

**[0056]** Using the SWAPT system shown in FIG. 31, studies were conducted to determine optimal parameters of oropharyngeal air-pulse trains in terms of eliciting saliva swallowing in healthy controls, with examination of (a) air pulse train duration, (b) pulse duration, (c) pulse frequency, and (d) pulse pressure. In one study, the system was driven by a portable nebulizer-type air compressor, while in another study the system was driven by compressed medical air from a pressurized tank (i.e., output pressure maintained at 40 psi). These studies showed that mean saliva swallowing rate increased with increases in air-pulse stimulation frequency between 2 and 12 Hz, with a Valvamate regulator upper frequency limited to 12 Hz. Frequencies of greater than 12 Hz, for example frequencies up to at least 80 Hz, may have even greater facilitatory effects on swallowing. Air-pulse train amplitude and duration had more variable effects on swallowing across subjects.

**[0057]** In an alternate embodiment the catheter may consist of a single lumen connected to a liquid reservoir. The lumen may be fitted with a nozzle at the distal tip to produce a spray upon expulsion of the reservoir contents. Or alternatively,

the lumen may be of a sufficiently small diameter at the distal tip to produce a spray of liquid upon expulsion of the reservoir contents.

**[0058]** In a second alternate embodiment, small quantities of pressurized gas and liquid may be sequentially injected into a single lumen catheter via separate tubes or channels expending from the gas source and liquid reservoir to entry points located above the distal tip of the catheter shaft, and preferably near the proximal end. The catheter is sealed at the proximal end, and open at the distal tip. Upon actuation or triggering, a small bolus of liquid is first injected into the catheter. The channel to the liquid reservoir is then closed by a valve or similar means to prevent backflow of the liquid into the reservoir. Next, a small bolus of pressurized gas is injected at, or proximal to the point at which the liquid was injected. The pressurized gas serves to force the liquid out the catheter tip. The expansion of the pressurized gas upon expulsion assists in the aerosolization of the liquid. To further assist in aerosolization, the lumen can be fitted with a tapered nozzle at the distal tip to produce a spray upon expulsion of the liquid bolus. Or alternatively, the lumen may be of a sufficiently small diameter at the distal tip to produce a spray of liquid upon expulsion of the reservoir contents. Metering valves positioned on each of the channels connecting the gas source and liquid reservoir to the catheter can be used to dispense fixed quantities of compressed gas and liquid into the catheter upon each actuation. The reservoir valves may be manually, mechanically, pneumatically, hydraulically or electrically actuated at the desired rate of stimulation.

**[0059]** In a third alternate embodiment, the catheter may consist of more than one distal tip, thus providing a means of delivering aerosol simultaneously to multiple sites of the oral cavity, oropharynx, and pharynx. The aerosol may, thus, be delivered to receptive fields of the glossopharyngeal nerve and SLN, as well as the trigeminal nerve, the latter through a distal port positioned within the oral cavity of a person.

**[0060]** In yet another embodiment, the reservoir may contain a self-pressurized aerosol formulation consisting of a liquid and a compressed propellant gas such as

those commonly used in spray cans or pharmaceutical metered dose inhalers. The reservoir may incorporate a metering valve to dispense a fixed quantity of propellant and liquid into the catheter upon each actuation. The reservoir valve may be manually, mechanically, pneumatically, hydraulically or electrically actuated at the desired rate of stimulation.

**[0061]** The gas pulse or aerosol pulse train or stimulus is directed to a region of the oral cavity, oropharynx, and/or pharynx by way of a mouthpiece within which the catheter is housed. In one embodiment, the distal tip of the catheter is positioned at the molar end of the mouthpiece. In an alternate embodiment, the output port through which the aerosolized liquid is ejected is positioned at another predetermined site within the oral cavity or oropharynx by virtue of the design of the mouthpiece. The mouthpiece may have a plurality of output ports within the oral cavity and oropharynx. This embodiment allows, for example, air pulses to be delivered to the oropharynx whilst aerosolized liquid pulses are delivered to a predetermined site within the oral cavity. Thus, the air pulses are directed toward receptive fields of IX and SLN that are known to play a role in pharyngeal swallowing initiation, while the gustatory (taste) stimuli are directed toward receptive fields of the VII and IX nerves that are also involved in taste sensation.

**[0062]** In one SWAPT embodiment, the stimulus may be medical air. In the SWAPT-AL, the stimulus may be aerosolized liquid. In one embodiment, the aerosolized liquid stimuli are delivered within the following ranges:

Pulse Frequency: 1 Hz to 80 Hz

Single Pulse duration: 20 ms to 100 ms

Pulse train duration: 0.1 sec to 20 sec

Pulse Pressure: negative (–) 80 mm Hg to positive 240 mmHg (recorded at the distal (molar) end of the mouth piece). Sub-atmospheric pressure SWAPT generates suction at the point of delivery wherein fluid can be suctioned from the oral cavity.

**[0063]** In one embodiment, the aerosolized liquid is room temperature distilled water, or cold distilled water. In alternate embodiments of the invention, the

aerosolized liquid contains one of the following: NaCl, sucrose, quinine, or lemon juice. Each of these liquids is employed at room temperature, or cold.

**[0064]** In addition to the advantage of providing multi-modal sensory stimulation, SWAPT with aerosolized liquid provides other benefits. For example, Dysphagia can result from a lack of saliva, that is, xerostomia.

Xerostomia and associated swallowing impairment occurs in a number of patient diagnostic groups including persons who have undergone radiation therapy in the region of the salivary glands for treatment of cancer of the head or neck, persons with certain systemic conditions (e.g., Sjogren's syndrome), and persons taking medications that reduce salivary flow. In patients with dysphagia following radiation therapy, there is evidence that patients perceive their mouths to be even dryer than objective measures of saliva indicate (Logemann). Furthermore, the severity of dysphagia is correlated with the degree of perceived mouth dryness (Logemann). Thus, both dry mouth and the perception of dry mouth are problems for patients who have undergone radiation therapy of the head and neck. In addition to the association between dry mouth and dysphagia, dry mouth is unpleasant for the patient, reducing quality of life. By delivering aerosolized liquid to the oral cavity, oropharynx, and pharynx, SWAPT with aerosolized liquid provides a method and device for lubricating the oral cavity, oropharynx, and pharynx in patients with dry mouth. In this way, enhanced lubrication may (1) facilitate swallowing, and (2) moisten the upper airway, thus reducing the unpleasant sensation of dry mouth. Because the volumes of liquid are very small in the aerosolized form of SWAPT, the patient is not put at risk of aspiration as would be the case in a dysphagic patient swallowing larger volumes of liquid.

**[0065]** Clinical studies of SWAPT conducted in healthy controls and patients have provided evidence that modifications to an oral splint might provide advantages in terms of efficacy and patient comfort of SWAPT. In particular, patient feedback suggests that patients felt that a mouthpiece that fits over the lower teeth inhibited their swallowing, that is, the air-pulse evoked an urge to swallow but the mouthpiece then made it difficult to swallow. Participants

indicated that any material between the upper and lower teeth inhibited swallowing, that is, made it more difficult to swallow. This was the case even when the material was very thin, for example 1 to 2 mm in thickness, which would be close to the just-noticeable difference for jaw opening of 1 mm.

5 **[0066]** As used in this application, the term "oral appliance" includes an oral device, an oral splint, an oral cannula, an oral applicator, a buccal mouthpiece, a buccal appliance, a buccal cannula and/or a mouthpiece. The oral appliance directs stimuli to regions of the oral cavity, oropharynx, or pharynx, of a subject. In one embodiment, a SWAPT mouthpiece **100** sits within the vestibule **110**,  
10 between the gingival surface of the alveolar bone and the cheek. The mouthpiece extends from the molar region **112** on one side of the mouth to the opposite molar region (see FIGS. 11 and 15). In this embodiment, there is no mouthpiece material between the upper and lower teeth **114**, **116** (FIGS. 16-18).

15 **[0067]** In one embodiment, shown in FIG. 16, the mouthpiece **100** sits within the upper vestibule **102**. In another embodiment, shown in FIG. 18, the mouthpiece **100** sits within the lower vestibule **106**. In yet another embodiment of the device, shown in FIG. 17, the mouthpiece **100** sits adjacent to the occlusal plane **104** of the upper and lower teeth **114**, **116**, within the vestibule. In one embodiment, the mouthpiece is between 5 mm and 20 mm high, and between  
20 1 mm and 4 mm thick. The length of the mouthpiece, from right molar region to left molar region ranges from 3 cm to 20 cm. In one embodiment of the mouthpiece, the mouthpiece is trimmable, meaning it may be trimmed in length for optimal placement and fit. In edentulous patients, the mouthpiece fits between the upper alveolar margin and the cheek, or the lower alveolar margin and the  
25 cheek.

30 **[0068]** In one embodiment, the mouthpiece **100** is maintained in position by a stabilizing piece that fits around the lateral surface of the rear-most teeth as shown for example in FIG. 10. In one embodiment, as shown in FIGS. 14-18, the mouthpiece is made of dental resin **120**. For example, the dental resin (i.e., STA-Vac sheet resin bleaching tray material # 62851, 5" by 5", 0.040 soft EVA;

Buffulo Dental Canada, Division of Bolton Dental Manufacturing Inc., Cambridge Ontario N3C 1Z1) is vacuum formed over an upper Dentoform (a mock-up of the upper dentition and alveolar structures). One or more lengths of fine-bore polyethylene tubing **122** (inner diameter: 0.045"; outer diameter: 0.062") are attached to the molded resin **120** along the margin between the teeth and the gingival margin. In one embodiment, one length of tubing extends on the right side of the dental form, and the other along the left side of the dental form by means of a knotted thread. Alternatively, larger bore polyethylene tubing is attached to the molded resin for the purpose of creating a conduit through which the aerosol catheter can be advanced within the mouthpiece in order to deliver aerosolized liquid. A malleable wire may also be attached to the molded resin. The wire permits contouring, if necessary, of the distal orientation of the outlet **124** of the catheter and provides a continuity that resists damage, such as biting by a person and thus releasing a piece of material that could be swallowed. A second layer of bleaching tray material is vacuum formed over the first layer, thereby enclosing the polyethylene tubing between the two sheets of dental resin. The bleaching tray material may be trimmed extensively, resulting in a small, flexible mouthpiece with tubing that exits posteriorly immediately posterior to the posterior-most tooth. Anteriorly, the tubing from the right and left sides exits the mouthpiece at the midline, passes between the subject's lips, and extends approximately 25 cm anterior to the lips where it connects securely with larger bore tubing at a Luer lock, or with another connector.

**[0069]** In yet another embodiment, the mouthpiece is made of dental impression material. A narrow sheet of dental wax (approximate length/height/thickness: 170 mm, 13 mm, 4 mm) is formed around an upper Dentoform (a mock-up of the upper dentition and alveolar structures; width at molar region: 54 mm). The wax is then removed from the Dentoform, while maintaining its contour. An impression of the wax is then made with dental impression material (3M ESPE Express FTD Vinyl Polysiloxane Impression Material Putty, 3M ESPE Dental Products, St. Paul, MN 55144-1000), effectively creating an impression

tray (i.e., a trough) that approximates the shape of the wax that surrounded the upper dentition. A second, lighter weight dental impression material (i.e., Affinity Hydroactive Impression Material, Vinyl Polysiloxane, heavy body, regular flow, regular set; Clinician's Choice Dental Products Inc., 1980 Hyde Park Rd., London N6H 5L9) is then injected into the impression trough until the level of impression material-occupies half the height of the impression trough. One or more lengths of fine-bore polyethylene tubing (inner diameter: 0.045 inches; outer diameter: 0.062 inches) are set within the right and left sides of the impression tray, respectively. Alternatively, larger bore polyethylene tubing is set within the impression tray for the purpose of creating a conduit through which the aerosol catheter can be advanced within the mouthpiece in order to deliver aerosolized liquid. The double tubing can also be extruded as a single piece, such that they can be separated by force or by pulling to create the two separate sections to go into the mouthpiece. A malleable wire may also be set within the impression tray. The wire permits contouring, if necessary, of the distal orientation of the outlet of the catheter and provides a continuity that resists damage, such as biting by a person and thus releasing a piece of material that could be swallowed. The tubing exits the impression trough anteriorly and posteriorly through small-bore openings that are placed in the impression material. Additional impression material is then injected into the trough, over the tubing, such that the tubing is fully surrounded by impression material within the right and left sides of the impression trough. The dental impression material is trimmed, resulting in a small, flexible mouthpiece that fits within the vestibule between a patient's upper teeth and the cheek and houses the polyethylene tubing. The polyethylene tubing exits the dental impression material posteriorly, on the right and left sides, immediately posterior to the posterior-most tooth, and terminates flush with the impression material. The tubing from the right and left sides exits the mouthpiece anteriorly in the region of the upper central incisor teeth where it passes between the patient's lips and extends approximately 25 cm anterior to the lips where it connects securely with larger bore tubing at a Luer lock, or with another connector.

**[0070]** In yet another embodiment, the mouthpiece is made of high-temperature-heat-resistant silicone with a nylon core. The silicone is molded in a method similar to that described above for the dental impression material mouthpiece. The heat resistant silicone with nylon core provides a mouthpiece that can be sterilized and, thus, employed repeatedly by a patient.

**[0071]** The various mouthpiece embodiments may have a plurality of output ports **124**, **126** as shown in FIG. 15, which are located within the oral cavity and oropharynx. This embodiment allows, for example, air pulses **128** to be delivered to the oropharynx whilst aerosolized liquid pulses **130** are delivered to a predetermined site within the oral cavity. Thus, the air pulses **128** are directed toward receptive fields of IX and SLN that are known to play a role in pharyngeal swallowing initiation, while the gustatory (taste) stimuli are directed toward receptive fields of the VII and IX nerves that are involved in taste sensation.

**[0072]** In various embodiments, the polyethylene tubing **122** exits the mouth at an angle, as shown in FIGS. 16-18. In one embodiment, the tubing exits the mouthpiece along the same-horizontal plane as the mouthpiece. This design is optimal when the mouthpiece is positioned along the subject's occlusal plane. In an alternate embodiment of the mouthpiece, the tubing exiting the oral form is contoured such that, immediately after exiting the oral form **120**, it follows approximately an 80 degree angle. The tubing then exits the patient's mouth, running between the upper and lower lips. This angle of the exiting tubing is optimal when the mouthpiece is positioned within the vestibule **102** along the buccal surface of the upper teeth, or the vestibule **106** along the buccal surface of the lower teeth. The angle of the tubing ensures that the mouthpiece stays in position along the buccal surface of the upper or lower teeth, or, in edentulous patients, along the upper or lower alveolar margin. Another advantage of this design is that the mouthpiece can be positioned either along the upper or lower teeth, or upper or lower alveolar margin. That is, a single mouthpiece can be used for both the upper dental arch, or lower dental arch, positions, by orienting the tubing inferiorly, or superiorly, respectively as shown in FIGS. 16 and 18. This

has advantages for patients with anatomic abnormalities of either the upper or lower teeth/alveolar margin, for example, as a result of surgery and reconstruction for treatment of oral cancer. The patient can position the mouthpiece along the intact dental arch.

5       **[0073]**    In another embodiment, the mouthpiece **100** is coated with an oral antiseptic to provide a means of enhancing oral hygiene in the user. This is advantageous since poor oral hygiene has been shown to be a strong predictor of aspiration pneumonia among institutionalized patients. The causal link between poor oral hygiene and aspiration pneumonia appears to be aspiration of  
10       contaminated oral secretions. This is a particular problem among persons with swallowing impairment in which aspiration is a frequent feature of the swallowing pattern. Therefore, it may be advantageous for the SWAPT mouthpiece to be coated with an oral antiseptic such that use of the device would enhance oral hygiene, in addition to facilitating swallowing.

15       **[0074]**    The various mouthpiece embodiments provide several advantages. For example and without limitation, the patient is able to maintain his/her upper and lower teeth **114**, **116** in occlusion. This is preferable since kinematic studies of swallowing have shown that the upper and lower teeth are positioned along or near the occlusal plane **104** during the pharyngeal stage of swallowing. Thus, the upper  
20       and lower teeth may be in occlusion whilst the device is "in situ" in the subject's mouth, occlusion being the preferred posture of the jaw/teeth during swallowing. The mouthpiece **100** also has a relatively small impact on the resting position of the subject's mouth, tongue, oropharynx, and face. For example, the tongue in rest position does not make contact with the mouthpiece. Because the mouthpiece is  
25       thin, the subject is able to achieve closure of the lips. The mouthpiece **100** also does not come in contact with pooled saliva in the sublingual region or along the lingual surfaces of the teeth. Being positioned within the upper or lower vestibule **102**, **104**, the subject/patient can ingest and swallow liquid or solid bolus with the mouthpiece in situ. Thus, the mouthpiece may be inserted into the vestibule with  
30       the mouthpiece having a small channel sufficient to allow enough gas or

aerosolized liquid to pass to facilitate swallowing and potentially allow the patient to intake and masticate food and drink while the mouthpiece is in place.

**[0075]** In one embodiment, the mouthpiece is constructed out of a material(s) (single or multi lumen) that would prevent the patient from fragmenting (biting) the mouthpiece. For example, heat resistant silicone is sufficiently strong to prevent a person from fragmenting the mouthpiece. The use of a malleable wire within the mouthpiece also permits contouring, if necessary, of the distal orientation of the outlet of the catheter and also provide a continuity that is resistant to being bitten through and so releasing a piece of material that could be swallowed. The mouthpiece is constructed in such a way as to also prevent swallowing (partially) or gagging on the mouthpiece.

**[0076]** As discussed above, neurons within the NTS are multimodal, that is, they are excited by multiple sensory modalities (e.g., mechanical, gustatory, thermal). Thus, multi-modal stimuli are expected to facilitate swallowing more effectively than uni-modal stimuli. Furthermore, pharyngeal swallowing is also evoked in experimental animals by oropharyngeal and/or laryngeal application of: sodium chloride (NaCl), sodium sulphate (Na<sub>2</sub>SO<sub>4</sub>), sucrose, acetic acid, quinine-hydrochloride, and ethanol. A sour bolus (i.e., 50% lemon juice, 50% barium) has been reported to reduce swallowing latency in dysphagic patients following stroke, and reduce aspiration in patients with other etiologies of neurogenic dysphagia.

**[0077]** As described above, one method provided to deliver multi-modal sensory stimuli that include a gustatory component for swallowing facilitation is through the use of aerosolized SWAPT, for example through port 126. In various embodiments, the aerosolized liquid 130 contains one of the following: NaCl, sucrose, quinine, or lemon juice. Each of these liquids is employed at room temperature, or cold.

**[0078]** Another alternate method for delivering multi-modal stimuli that include a gustatory component is by applying a gustatory stimulus to the SWAPT mouthpiece 100. Thus, what is claimed is a flavour-treated mouthpiece. The gustatory stimulus is provided as a manufactured aspect of the mouthpiece in the

form of a coating or impregnation of the gustatory stimulus that provides a means for the gustatory stimulus to be released in the subject's oral cavity when the material elutes over a period of time as it comes in contact with, and is moisturized by, the subject's oral saliva and oral secretions. In this way, a gustatory stimulus is supplied by the mouthpiece while the mechanical and thermal stimulus components are supplied in the delivered air-pulse trains or aerosol-pulse trains. Thus, the mouthpiece is impregnated with a flavour ingredient that elutes over a period of time when moisturized after insertion into the vestibule or mouth.

**[0079]** A cool percept associated with the SWAPT air-pulse trains may reflect at least three mechanisms: (1) the use of room-temperature air providing a stimulus that is cooler than the subject's intra-oral temperature, (2) the expansion of the compressed SWAPT air as it exits the tubing within the mouthpiece that may reduce the air temperature, and (3) the evaporation of liquid within the mouth by the air-pulse train, that is, the evaporation of saliva, which may contribute to the perception of a cool stimulus within the oral cavity or oropharynx. These thermal properties of SWAPT are seen as an advantage over other technologies that utilize an external cooling control system to cool the gas or other oral stimulus before it enters the subject's mouth. External cooling systems for delivery of temperature-controlled stimuli within the mouth may be problematic because of the distance that must be traversed between the site of cooling, and the desired site of stimulation within the oral cavity or oropharynx. In contrast, the mechanisms that are believed to underlie the thermal property of SWAPT operate within the subject's oral cavity and oropharynx, precluding the need for an external cooling control system. Thus, a thermal stimulus is provided to the oral cavity and oropharynx wherein the thermal property is provided through the inherent properties of the stimulus and the stimulus delivery system, both being located fully within the oral cavity or oropharynx of a person.

**[0080]** In an alternate embodiment, the temperature of the gas **128** or aerosolized liquid stimulus **130** used in SWAPT, and SWAPT-AI, respectively, is altered by means of a control system that is external to the oral cavity. The control

unit 140 may be positioned and set to apply a sensory stimulus to the oral cavity or oropharynx or pharynx at some predetermined time. This predetermined time point may be defined in relation to (1) time, (2) in advance of, or simultaneous with, an attempt to perform a swallow, or another behaviour performed by a person (e.g., patient or clinician), or (3) a physiologic event in a person, as determined from the output of a transducer positioned on the person, oral or oropharyngeal sensorimotor behaviour, by a person. The control system includes a signal generator and an air-pressure regulator 101, for example a Valvemate regulator, as shown in FIGS. 19 and 31.

**[0081]** In one group of embodiments, the onset and offset of the sensory stimulus (SWAPT or SWAPT-AL) may be triggered in a number of ways, including physiologic events in the patient, for example, respiratory-related movements associated with various phases of the respiratory cycle, laryngeal movement, or electromyographic activity (for example, recorded from surface electrodes placed over the suprahyoid musculature (i.e., under the chin) that are recorded from transducers positioned on the patient; the output signals are compared with a predetermined threshold and, if the signal exceeds the predetermined threshold, the SWAPT stimulus is delivered. The system may also be activated by a patient or clinician, for example, by a button press or an alternate manual means of triggering stimulus delivery; the patient or clinician could, thus, initiate SWAPT or SWAPT-AL in relation to bringing food/drink toward the mouth, or ingesting food, or swallowing food, or when the patients feels ready to swallow. A cue or instruction may also be provided to the patient as a conditioning stimulus (e.g., an auditory tone) or an instruction to the patient to initiate a behavior, for example, to commence swallowing or chewing. The system may also be activated on a temporal basis, for example, by triggering SWAPT or SWAPT-AL every several minutes when swallowing of accumulated saliva is desired by a patient. The system may also be activated on the basis of combinations of these various mechanisms. Thus, the onset of SWAPT or SWAPT-AL could be triggered as a function of time to occur every three minutes

for the purpose of swallowing accumulated saliva; the offset of the SWAPT stimulus sequence would be triggered based on the occurrence of a swallow (determined from the laryngeal force sensor) in relation to SWAPT such that SWAPT air-pulse trains would continue until a swallow occurred, after which it would be terminated and subsequently, be applied again at 3-minute intervals.

**[0082]** Habituation, defined as the reduction of responsiveness to a stimulus after prolonged or repeated exposure to the stimulus, is a ubiquitous feature of neural processing. Habituation can be seen as an adaptive process whereby the nervous system ceases to respond to unimportant stimuli within an environment of multiple competing stimuli. Habituation has been demonstrated in human responses to auditory, visual, and somatic stimuli.

**[0083]** One embodiment of the SWAPT 100 provides a means of delivering a sequence of distinct air-pulse trains, or aerosol-pulse trains to the oral cavity, oropharynx, or pharynx of a person, where a train is defined as a series of at least one pulse. The individual air-pulse trains may vary in terms of the following pulse parameters: pulse duration, pulse amplitude, pulse frequency, and train duration. The air-pulse trains (of varying pulse parameters) are presented in random order within a predetermined sequence. By altering the stimulus characteristics of successive pulse trains, habituation to SWAPT or SWAPT-AL is expected to be reduced because the nature of the stimulus is variable as a function of time. Thus, the salience of the SWAPT stimuli is expected to be maintained over time to a greater degree than would be expected with a system in which a given sensory stimulus is repeatedly delivered to the patient/subject. In this way, the predetermined sequence of variable pulse trains optimizes the facilitatory effect of SWAPT.

**[0084]** Previous electrophysiological studies in primates (Martin et al. 1993, 1995, 1997; Sessle et al. 2005), and NSERC-and HSF funded brain imaging studies in humans (Martin et al. 2001, 2004; Toogood et al., 2005, 2006), have shown that, in addition to known brainstem areas, swallowing is processed within a large-scale inter-hemispheric network of cortical foci. Many of these foci were

localized to sensory and sensory association cortical regions (see FIGS. 21 and 22), underscoring the importance of sensory inputs in swallowing regulation. After comparing the effects on swallowing of several sensory stimuli, it was determined that air pulses were superior in terms of swallowing facilitation and clinical feasibility. SWAPT directs predetermined trains of discrete air pulses to the posterior aspect of the mouth and oropharynx, near the tonsil (FIG. 23) where receptive fields, innervated by the superior laryngeal nerve (SLN) and the pharyngeal branch of the glossopharyngeal nerve (GPNph), are believed to be "reflexogenic" for swallowing (Mu and Sanders, 2000; Yoshida et al., 2000).

**[0085]** Air-pulse stimulation applied to the peri-tonsillar region of the oropharynx in healthy controls evokes an irrepressible urge to swallow, followed by a frank swallow as verified by laryngeal and respiratory movement patterns (Theurer et al., 2005), as shown in FIG. 24. Moreover, air-pulse stimulation produces a significant increase in the frequency of saliva swallowing (FIGS. 24 and 25), with bilateral stimulation having a greater effect than unilateral. These findings were replicated and extended in to larger samples of healthy controls (N=16, Fortushnick et al; N=15, Girma et al.), and in a preliminary study of 2 patients with dysphagia secondary to stroke demonstrates such results as shown in FIG. 26 (Theurer et al. 2005b).

**[0086]** In parallel with various behavioral studies, high-field functional magnetic resonance imaging (fMRI) has been used to study the neural processing of oropharyngeal air-pulse application. For example, SWAPT activates a distributed brain network including the primary somatosensory cortex and the thalamus, classical motor areas (primary motor cortex, supplementary motor area, cingulate motor areas and basal ganglia) and polymodal regions (including the insula, inferior parietal cortex and frontal cortex) (Soros et al., 2008), as shown in FIG. 26. These cortical areas overlap regions previously implicated in oral and pharyngeal sensorimotor functions such as tongue movement, mastication, and swallowing. Swallows that are produced at short latency after air-pulse stimulation activate the same cortical network as habitual swallows, suggesting

that air-pulse application might be used to "drive" the cortical swallowing network as shown in FIG. 26.

**[0087]** The SWAPT air pulse trains are delivered to the oropharynx via a mouthpiece **130** (see e.g., FIG. 23). One embodiment of the SWAPT mouthpiece **130** employed a custom silicone mouthpiece that fit over the lower dentition (FIG. 23). In another embodiment, the SWAPT mouthpiece **100** sits within the buccal cavity, between the teeth and cheek (FIG. 29). In this embodiment, there is no mouthpiece material between the upper and lower teeth based on patient feedback indicating that inter-dental material was perceived as inhibiting swallowing. The new mouthpiece is made of 1 mm thick dental resin (i.e., bleaching tray or mouth-guard material) that is vacuum-formed over a Dentoform (a mock-up of the dentition and alveolar structures). Two lengths of fine-bore polyethylene tubing (inner diameter: 0.045 inches; outer diameter: 0.062 inches) are attached to the molded resin along the Dentoform margin between the teeth and the gingiva, one on the right side of the dental form, and the other along the left side of the dental form. A second layer of resin is vacuum formed over the first layer, thereby enclosing the polyethylene tubing between the two sheets of dental resin. SWAPT efficacy with the mouthpiece of FIG. 29 was demonstrated in a sample of 18 healthy geriatric participants as shown in FIG. 30 (Theurer et al., 2008).

**[0088]** The buccal mouthpiece **100** has several advantages. The patient is able to maintain his/her upper and lower teeth **114**, **116** in occlusion. This is preferable since kinematic studies of swallowing have shown that the upper and lower teeth are positioned along the occlusal plane during the pharyngeal stage of swallowing. The mouthpiece appears to have a relatively small impact on the resting position of the subject's mouth, tongue, oropharynx, and face. For example, the tongue in rest position does not make contact with the mouthpiece. Because the mouthpiece is thin, the subject is able to achieve closure of the lips. The mouthpiece does not come in contact with pooled saliva in the sublingual region or along the lingual surfaces of the teeth. Being positioned within the upper or lower buccal region,

the mouthpiece potentially allows the patient to ingest and swallow food and drink while the mouthpiece is in place.

**[0089]** Referring to FIGS. 1-5, another embodiment of a mouthpiece, referred to as an oral cannula **2**, for delivering a gas to the mouth of a user is shown. The oral cannula may include a pair of flexible tubes **4**, **6** configured to be positioned on opposite sides of the face of a user. Of course, it should be understood that the oral cannula may include only a single tube disposed on one side of the user's face. The oral cannula may also be configured with two tubes, but with gas being delivered through only one of the tubes in some desired treatment modalities. The flexible tubes **4**, **6** may be made of thermoformed tubing, which can be formed into a particular shape and configuration, but which has some flexibility and ability to conform to the face and mouth of the user. In one suitable embodiment, the flexible tube is made of polyurethane, polyethylene, PVC, other suitable and biocompatible materials, and/or combinations thereof. The tubes may have a 1/8<sup>th</sup> inch outer diameter and a 1/16<sup>th</sup> inch inner diameter forming a lumen. Of course, other size tubes may also be suitable, and the cross-sectional shape may be circular, or configured in other geometrical shapes. The tubes may be clear or transparent, translucent, coloured or opaque, and/or various combinations thereof, with the visual characteristics varying along the length of the tube for example so as to provide one or more windows. Each tube may also be formed with a plurality of lumens, or channels, to allow for additional features such as light, sensors, fluid delivery, etc., including for example and without limitation the delivery of an aerosolized liquid **130** through a port **126**, shown for example in FIG. 20. In such embodiments, the lumens may run parallel to each other, and include for example and without limitation a first inner lumen and a second exterior lumen formed around the inner lumen, or alternatively two or more lumens running side by side. Of course, the plurality may include more than two lumens.

**[0090]** In one embodiment, shown in FIG. 13, a wire **8** runs along a length of at least a portion of the flexible tubing **4**, **6**. The wire provides further shape

memory to the flexible tubing. The wire may be co-extruded with the tube, or may be connected to the tubing by molding, welding, adhesives and the like, or combinations thereof.

**[0091]** Referring to FIGS. 1-5, the flexible tube **4**, **6** may be made of, 5  
impregnated with, or coated with a flavored material, including without limitation fruit (e.g., lemon), menthol or mint flavors, which may be pleasing to the user and which may facilitate swallowing. The tube may also be made of, impregnated with, or coated with, an antistatic material, or alternatively a conductive material. Antistatic materials have a surface resistivity of between about  $10E10$  ohm/sq and 10  
about  $10E12$  ohm/sq. Static dissipative materials have a surface resistivity of between about  $10E6$  ohm/sq. and about  $10E12$  ohm/sq. Conductive materials have a surface resistivity of between about  $10E1$  ohm/sq and about  $10E6$  ohm/sq. Metals typically have a surface resistivity of between about  $10E-1$  to about  $10E-5$  ohm/sq. Surface resistivity as set forth herein is measured pursuant to ASTM test 15  
D257. The tubing may also be made of, or coated with, an antibacterial material. For example, silver impregnation may provide antibacterial properties.

**[0092]** Each flexible tube **4**, **6** includes an inlet portion **10**, which is preferably elongated and may extend from the neck region to the ear of the user. The inlet portion has an inlet end portion **12** connected to an adapter (e.g., Y adapter) **14**, 20  
with the adapter having a feed tube **16** connected to an opposite end thereof. A slideable connector **20**, configured in one embodiment as a sleeve, is disposed over and slidably receives the inlet portions **10** of the tubes. The connector **20** may be moved back and forth along a portion of the lengths of the inlet portions **10** of the tubes so as to lengthen the end portion **12**, and thereby secure the tubes 25  
under the chin of the user, or to shorten the end portion **12**, and thereby loosen the tubes for comfort or removal.

**[0093]** The feed tube **16** is configured to connect to a gas source **22**, for example and without limitation by way of a quick connect **18** having a releasably 30  
component, such as a detent. The term "gas" refers to and includes air, oxygen, and/or any other type of gaseous substance suitable for breathing by humans,

including for example and without limitation Heliox. The gas may also include various medicaments entrained therein for further treatment of the user, for example various medicaments applied via an aerosol such as antibiotics for pulmonary infections or COPD medications. The gas source is configured to emit  
5 pulses of gas, with the volume, temperature, pressure, duration and/or frequency being controlled by a central processor and control system. The gas source can alternatively be configured to emit a continuous source of gas. The system can also be configured to sense the respiratory cycle of the user, such that gas is delivered only during a certain portion of the cycle, e.g., during exhalation.  
10 Various exemplary control systems are shown and disclosed in US Pub. No. 2006/0282010A1, entitled Oral Device, the entire disclosure of which is hereby incorporated herein by reference.

**[0094]** Referring to FIGS. 1-5, the pair of tubes **4, 6** are a mirror image of each other, or can be folded one onto the other, along a longitudinal axis **24**. As shown  
15 in FIGS. 1 and 2, various portions of the tubes may be formed or positioned within a plane **26**, although during use, as shown in FIGS. 4 and 5, the tubes **4, 6** conform to the face **28** of the user and is self supported on the face and in the mouth **30**, meaning the user and/or care giver are not required to hold or position the tubes with their hands, lips, tongue, teeth and/or other devices.

**[0100]** The tubes **4, 6** each have a curved portion **32** forming an ear loop connected to the inlet portion **10**. In one embodiment, the ear loop **32** may be encapsulated, or covered with a padding material **40**, such as foam, which provides greater comfort to the user. Of course, it should be understood that other  
20 portions of the tube, such as the portion **42** running along the face of the user, may also be covered or secured to an interfacing material, such as a padding, to improve comfort.  
25

**[0101]** Another curved portion **34** forms a lip bend. The curved portion **34** is connected to the curved portion **32** with an elongated portion **42** that runs along the face or cheek of the user as shown in FIGS. 4 and 5. As shown in FIGS. 1-3,  
30 the curved portion **34** has a curvature that is less than the curvature of the curved

portion 32, meaning in this embodiment, the radius of the curved portion 32 is greater than the radius of the second curved portion 34. In one suitable embodiment, the curvature of the curved portion 34 has an inner radius of about .25 inches. It should be understood that the curvatures may be other than semi-circular, such as quarter circular, and may for example be curvilinear, or polygonal (i.e., formed from a plurality of discrete linear segments). The term "curvature" refers to the tube having a first portion defining a first vector 44 and a second portion defining a second vector 46, wherein the vectors are co-planar but not the same (meaning they may have different angles or orientations (e.g., parallel but directed in opposite directions)). It should be understood that a curved portion may have multiple curvatures, for example having a curvature in one plane and another curvature in another plane. For example, the curved portion 34, or lip bend, has a plurality of curvatures, including a first curvature in a plane 26 as shown in FIGS. 2 and 3, and a second curvature of a portion thereof as the curved portion 34 transitions to an outlet portion 36 having a curvature in a plane 48 substantially perpendicular to the plane 26. It should be understood that the curvatures may be formed in multiple planes not perpendicular or parallel to each other. In the embodiment of FIGS. 1-3, the curved portions 32, 34 open in opposite first and second directions 50, 52.

**[0102]** The outlet portion 42 extends from the curved portion 32 and terminates in an end portion 38 having a gas exit port 54. The outlet portion 42 has a curvature defined by first and second vectors 44, 46 forming angles  $\beta$  of  $30^\circ$  relative to the plane 26. In one embodiment, the length (L1) of the outlet portion is about 1.6 inches ( $\pm 2.5\text{mm}$ , e.g., 1.575 inches), or 1.760 inches ( $\pm .25\text{mm}$ ) from the inner surface of the curved portion 32 to the terminal end of the end portion 38, with the end portion extending below the first plane. The end portion 38 may also be formed as a curved portion, having a curvature in the first plane 26 that may be 0.75 inches and form a vector 56 at an angle  $\alpha$  of about  $20^\circ$  with the vertical plane 48 in which the curved portion 36 of the outlet portion lies.

**[0103]** The outlet portion 36, as shown in FIG. 11, is curved such that it extends into the user's mouth 30 and is disposed between the side of a row of upper teeth 58 of the user and the interior surface 60 of the user's cheek. Of course, it should be understood that the configuration and shape can be altered to accommodate placement along the side of the lower teeth or along the occlusal plane. The end portion 38, or curved portion, may be directed laterally inwardly at a targeted region of the rear of the user's mouth 30 and throat. The end portion is configured with the gas exit port 54. In this way, no portion of the tube is disposed between the user's upper and lower teeth. As such, the tube does not interfere with normal speech, eating, drinking swallowing, etc., and does not have to be held in place over or between the user's teeth. In one embodiment, each of the inlet portions, ear loop, lip bend and outlet portion may be integrally formed from a single piece of tubing.

**[0104]** Referring to FIG. 10, an alternative embodiment of an oral cannula includes a manifold 62 that extends across the back of the user's mouth behind the rearmost teeth of the user and connects the tubes 4, 6 on opposite sides of the mouth. The manifold includes one or more gas exit ports 64 formed therein, for example through a side wall of the manifold, rather than through an end portion or lumen. In one embodiment, the manifold may be integrally formed with the other portions of the tubes, such that a single loop of tubing forms and defines the cannula.

**[0105]** Referring to FIGS. 6-9 and 12, another embodiment of an oral cannula for delivering a gas to the mouth of a user includes a housing 70 comprising an inlet portion 72, a riser portion 74 extending upwardly from the inlet portion and a curved outlet portion 76. The housing may be a molded component, formed for example and without limitation, from a flexible material such as silicone or an elastomeric material. The inlet, riser and outlet portions are shaped and configured to conform to, and match the contours of, the user's mouth and lips. The housing is further configured to hold and shape one or more flexible tubes 78, 80, such that the tubing is properly positioned in the user's mouth without

interfering with the various oral functions of the user. As such, the housing directs the tubing to the sides of the user's mouth between the outer sides of the user's upper teeth **58** and the interior surface of the cheek **60**.

**[0106]** The housing **70** may be made of a single piece, for example with one or two channels that receive the tubing. For example and without limitation, the tubing may be snap-fitted into the channels. In other embodiments, the tubing is threaded through openings formed in the tube. In yet other embodiments, the housing includes first and second housing components. One or more tubes, depending on the application, are disposed between the two housing components, with the housing components being secured to each other, for example and without limitation, by snap fit, welding, mechanical fasteners, adhesives, bonding, or various combinations thereof. The housing may be molded, for example injection molded.

**[0107]** As shown in FIGS. 6-9, the inlet portion **72** may have a pair of channels, with the tubes entering the channels in a first plane, for example and without limitation a horizontal plane **82**. The riser portion **74** extends upwardly and rearwardly from the inlet portion. The outlet portion **76** has a pair of branches **84** that extend laterally outwardly and rearwardly from the riser portion. The outlet portion is curved, and has a first curvature when viewing the curved outlet portion from a first direction **86** and a second curvature when viewing the curved outlet portion from a second direction **88**, wherein the first and second directions are non-parallel. In one embodiment, the first and second directions are substantially perpendicular. The first curvature **90** matches the curvature of the front teeth of the user and directs the tubes laterally and rearwardly along the teeth. The second curvature **92** forms a dip that provides clearance for the upper labial frenum.

**[0108]** The flexible tubes **78, 80** are coupled to the housing **70** and extend through the inlet portion **72**, the riser portion **74** and out of respective ones of the branches **84** of the outlet portion. Each flexible tube has an outlet portion with an end portion extending from the outlet portion **76** of the housing. In one

embodiment, the end portion **94** has a curvature that substantially follows and matches the sides of the row of teeth of the user. The end portion has a gas exit port **9** positioned downstream of the outlet portion of said housing. It should be understood that in one embodiment, only a single tube is secured through the housing. In another embodiment, the end portions may be joined by a manifold **62** as shown in FIG. 10.

**[0109]** In any of the embodiments, the oral cannula is configured with orientation indicia **96**, which provides information to the user and/or care giver about the orientation and positioning of the cannula. For example and without limitation, in the embodiment of FIGS. 1-5, indicia can be positioned on the adapter **14** and/or slide connector **20** to indicate which surface thereof is the front or back. Likewise, in the embodiment of FIGS. 6-9, indicia can be positioned on the housing **70**.

**[0110]** Alternatively, in the embodiment of FIGS. 6-9, the shape of the housing **70** provides a visual indicator, or indicia, about the orientation of the device. In the various embodiments, for example and without limitation, an "R" or "B" can be provided on the back of the connector **20** or other component to indicate "Rear" or "Back," an "F" can be provided to indicate "Front," and/or an "L" or "R" can be provided on the sides, front or back to indicate "Left" and "Right" respectively. Tactile indicia, in the form of Braille characters or raised letters/embossments, can be provided for users and/or care givers with poor sight or for use in poor lighting conditions. Other suitable indicia include without limitation various text (e.g., "Left" and/or "Right"), arrows, various directional indicia and/or combinations thereof. With the use of such indicia, the user and/or care giver can properly locate the oral cannula on the face, and in the mouth, of the user. The adaptor **14** may also be shaped, for example with an angled portion receiving the feed tube **16**, so as to direct the feed tube away from the user and provide indicia to the user about the orientation, similar to the shape of the housing **70**. Alternatively, a tab, tape or other marker may be provided on the right and left tubes to identify them as such.

**[0111]** In operation, the user or care giver disposes the flexible tube, and in particular the outlet portion 36, between an outer side surface of a row of teeth 58 (upper or lower) and an inner surface 60 of a cheek. In one embodiment, tubes are disposed on opposite sides of the mouth. The tubes are positioned such that the exit ports 54 are positioned in a rear region of the mouth and wherein no portion of the flexible tube is disposed between the upper and lower teeth of the user such that the upper and lower teeth can be closed against each other. In the embodiment of the FIGS. 1-5, the ear loops 32 are disposed around the ears 100 of the user, with the mouth/lip bend being positioned around/over the lip 102 and the outlet portion of the tube being positioned along the side of the teeth as just described. The position of the connector 20 can then be adjusted to further secure the cannula to the user.

**[0112]** In the embodiment of FIGS. 6-9, the housing 70 is inserted between the upper lip 104 and the front 106 of the upper row of teeth, with the tube(s) being positioned along the side of the teeth as described herein. As shown in FIG. 10, either embodiment can be further configured with the manifold 62 extending across the back of the mouth. Alternatively, in either embodiment of FIGS. 1-9, the outlet portion 36, or end portion 38 thereof, may be cut or trimmed such that the exit port 54 is positioned in the proper location in the mouth of the user.

**[0113]** In any of the embodiments, the feed tube 16 is connected to the gas source 22. A gas is then dispensed through the exit port(s) 54, 64, preferably in pulses of predetermine pressure, volume, duration and/or frequency, with the user then swallowing in response to the pulses of gas.

**[0114]** Any of the embodiments of the oral cannula can be made easily, cheaply and quickly without having to make expensive, customized teeth molds. Moreover, the device can be quickly and easily adjusted for a particular user simply by trimming a portion of tubing if necessary. The flexible tube follows the natural contours of the user's face and mouth, yet has sufficient shape memory to ensure proper placement relative to the user's face, lips, mouth and teeth. The flexible tube is self-supporting in the preferred location in the user's mouth, and is

maintained in a proper position even with patients/users experiencing numbness or weakness of the lips, tongue or jaw. The device is not fitted over or between the user's upper and lower teeth, and does not have to be held in place by specific jaw positioning. In this way, the flexible tubing, which is disposed between the user's teeth and cheek, does not interfere with normal speech, eating, drinking  
5 swallowing, etc., or with the gas pulse delivery and swallowing therapy.

**[0115]** Referring to FIG. 32, in one embodiment, the oral appliance, or part thereof, is made of compliant tubing **141** that absorbs forces applied to its inner surface by the internal pressure of the substance being delivered through the  
10 tubing. For example, pressurized gas, delivered through the oral appliance and originating at its input end, will act on the compliant tubing with resulting expansion and contraction of the tubing in direct relation to changes in pressure of the substance within the tubing. In one instance, a gas, controlled by a pressure regulator attached to the input end of the oral appliance, and delivered through the  
15 oral appliance, is applied in discrete pressure pulses, such that the region(s) of compliant tubing along the length of the oral appliance expand and contract, for example, within the buccal cavity. Depending upon the frequency of pressure variations of the substance within the oral appliance, and associated expansion and compression of the compliant tubing, a kinetic or vibratory stimulus acts directly  
20 upon the surrounding oral tissues, exciting sensory receptors located in the oral mucosal lining.

**[0116]** In another embodiment, the substance that is delivered through the oral appliance for the purpose of eliciting a physiological response by the human or animal user may excite sensory receptors of the oral or oropharyngeal regions  
25 through a kinetic or a pressure effect. The substance being delivered via the oral appliance can be applied in discrete pulses, for example, air pulses. The air-pulse trains so delivered produce a kinetic effect within the ambient surround of the oral appliance output end, and associated pressures acting upon the oral tissues, exciting sensory receptors. This stimulus may be perceived by the user as  
30 vibratory at some stimulus frequencies.

In one embodiment shown in FIG. 33, the oral appliance provides a means of positioning a stimulating electrode in the posterior region of the mouth of the human or animal user such that electrical stimulation can be applied to that region. In one embodiment, a bipolar surface skin stimulating electrode **142** is positioned immediately distal to the output end **124** of the oral appliance, and the electrode leads run within the oral appliance tubing within the buccal region of the user **120**, continue within the tubing that exits the mouth between the user's lips **122** and exits the tubing to connect to an electrical stimulation control unit **143**. With the oral appliance *in situ* within the buccal region, the stimulating electrode contacts the soft tissues of the rear aspect of the mouth, providing a method for applying electrical stimulation to the oral cavity with the aim of evoking a physiological response in the user, such as a swallowing and/or salivation.

**[0117]** Although the present invention has been described with reference to preferred embodiments, those skilled in the art will recognize that changes may be made in form and detail without departing from the spirit and scope of the invention. As such, it is intended that the foregoing detailed description be regarded as illustrative rather than limiting and that it is the appended claims, including all equivalents thereof, which are intended to define the scope of the invention.

## WHAT IS CLAIMED IS:

1. An oral appliance for delivering a substance to the mouth of a user comprising:

5

a flexible tube comprising:

an inlet portion;

a first curved portion forming an ear *loop* connected to said inlet portion;

10

a second curved portion forming a lip bend, said second curved portion connected to said first curved portion; and

an outlet portion extending from said second curved portion.

2. The oral appliance of claim 1 wherein said outlet portion comprises a third curved portion terminating in an end portion having an exit port.

15

3. The oral appliance of claim 2 wherein said end portion defines a fourth curved portion connected to said third curved portion.

4. The oral appliance of claim 2 wherein said first and second curved portions each have a curvature formed within a first plane and wherein said third curved portion has a curvature formed within a second plane non-parallel to said first plane.

20

5. The oral appliance of claim 1 wherein said first curved portion opens in a first direction and said second curved portion opens in a second direction opposite said first direction.

25

6. The oral appliance of claim 4 wherein said first curved portion has a first curvature greater than a second curvature of said second portion.

30

7. The oral appliance of claim 1 wherein said flexible tube comprises a first flexible tube portion, said inlet portion comprises a first inlet portion and said outlet portion comprises a first outlet portion, and further comprising a second flexible tube comprising an second inlet portion, a third curved portion forming a second ear loop connected to said second inlet portion, a fourth curved portion forming a second lip bend, said fourth curved portion connected to said third curved portion; and a second outlet portion extending from said fourth curved portion.

8. The oral appliance of claim 7 wherein said second tube portion is substantially a mirror image of said first tube portion.

9. The oral appliance of claim 7 wherein said first and second outlet portions are connected by a manifold comprising at least one exit port.

10. The oral appliance of claim 9 wherein said first and second flexible tube portions and said manifold are integrally formed from a single piece of flexible tubing.

11. The oral appliance of claim 7 wherein said first and second tube portions are joined to a single inlet tube.

12. The oral appliance of claim 7 wherein said first and second inlet portions are connected with a slideable connector.

13. The oral appliance of claim 1 wherein said flexible tube is formed from a thermoformable material.

14. The oral appliance of claim 1 wherein said flexible tube comprises a flavored material.

15. The oral appliance of claim 1 wherein said flexible tube comprises an antistatic material.

5 16. The oral appliance of claim 1 wherein said flexible tubing comprises an antibacterial material.

17. The oral appliance of claim 1 wherein said first curved portion comprises a padding applied around at least a portion of said flexible tube.

10

18. The oral appliance of claim 1 further comprising a wire running along a length of at least a portion of said flexible tubing, said wire providing shape memory to said at least said portion of said flexible tubing.

15 19. The oral appliance of claim 1 further comprising orientation indicia.

20. An oral appliance for administering a stimulus to a human or animal comprising:

20 a housing comprising an inlet portion, a riser portion extending upwardly from said inlet portion and a curved outlet portion, wherein said outlet portion comprises a pair of branches extending laterally outwardly from said riser portion; and

25 a flexible tube coupled to said housing and extending through said inlet portion, said riser portion and out of at least one of said branches of said outlet portion, said flexible tube comprising an end portion extending from said outlet portion of said housing, said end portion of said flexible tube having a fluid exit port positioned downstream of said outlet portion of said housing.

30 21. The oral appliance of claim 20 wherein said curved outlet portion has a first curvature when viewing said curved outlet portion from a first direction.

22. The oral appliance of claim 21 wherein said curved outlet portion has a second curvature when viewing said curved outlet portion from a second direction, wherein said first and second directions are non-parallel.

5

23. The oral appliance of claim 22 wherein said first and second directions are substantially perpendicular.

24. The oral appliance of claim 20 wherein said flexible tube comprises a first flexible tube extending out of a first one of said branches, and further comprising a second flexible tube coupled to said housing and extending through said inlet portion, said riser portion and out of a second one of said branches of said outlet portion, said second flexible tube comprising an second end portion extending from said outlet portion of said housing, said second end portion of said flexible tube having a second fluid exit port positioned downstream of said outlet portion of said housing.

10

15

25. The oral appliance of claim 20 wherein said end portion of said flexible tube is curved.

20

26. The oral appliance of claim 20 wherein said housing comprises a first and second housing component coupled together with said flexible tube disposed therebetween.

25

27. The oral appliance of claim 20 wherein said housing comprises a channel formed in said inlet, riser and outlet portions, wherein said flexible tube is received in said channel.

30

28. The oral appliance of claim 20 wherein said housing is configured with orientation indicia.

29. A method of delivering a substance to a predetermined location in a user's mouth comprising:

5 disposing a flexible tube between an outer side of a row of teeth and an inner surface of a cheek, wherein said flexible tube has an exit port positioned in a rear region of the mouth and wherein no portion of said flexible tube is disposed between upper and lower teeth of the user such that said upper and lower teeth can be closed against each other;

dispensing a substance through said exit port.

10 30. The method of claim 29 wherein said outer side comprises an outer side of an upper row of teeth.

15 31. The method of claim 29 wherein said flexible tube has a curved portion extending along said outer side of said row of teeth.

32. The method of claim 29 further comprising disposing a curved portion of said flexible tube around an ear of said user.

20 33. The method of claim 32 wherein said curved portion comprises a first curved portion, and further comprising disposing a second curved portion around a lip of said user.

25 34. The method of claim 29 further comprising disposing at least a portion of a housing in a mouth of said user, wherein said housing has a curved outlet portion disposed along a front surface of an upper row of teeth, and a riser portion extending downwardly from said outlet portion, wherein said flexible tube is coupled to said housing and extends through said riser portion and said curved outlet portion.

35. The method of claim 29 further comprising disposing a manifold portion of said flexible tube laterally across said rear region of the mouth, wherein said manifold comprises said exit port.

5 36. An oral appliance for use with a subject in his/her mouth comprising:

a mouthpiece adapted to be positioned in the subject's oral vestibule whereby the occlusal surfaces of the subject's teeth are substantially not covered by the mouthpiece.

10 37. An oral appliance as claimed in claim 36 further including at least one conduit formed in the mouthpiece for delivering a stimulus to one or more predetermined location in one of the subject's oral cavity, oropharynx, pharynx and a combination thereof; and

15 a pulse generator operably connected to the conduit for generating at least one pulse of the stimulus.

20 38. An oral appliance as claimed in claim 37 wherein the stimulus is one of a fluid, an electrical impulse, a kinetic stimulus and a combination thereof.

39. An oral appliance as claimed in claim 38 wherein the fluid is one of a gas, a liquid and an aerosolized liquid.

25 40. An oral appliance for use with a subject in his/her mouth comprising:

a mouthpiece adapted to be positioned in the subject's oral cavity;  
at least one conduit formed in the mouthpiece for delivering an aerosolized fluid to one or more predetermined location in one of the subject's oral cavity, oropharynx, pharynx and a combination thereof; and

a pulse generator operably connected to the conduit for generating at least one pulse of the aerosolized fluid.

5 41. An oral appliance as claimed in claim 37 wherein the pulse generator generates a plurality of pulses.

10 42. An oral appliance as claimed in claim 41 wherein the plurality of pulse variable pulse amplitude, pulse duration, pulse frequency and pulse train duration.

15 43. An oral appliance as claimed in claim 37 wherein the delivery of the pulse is a mechanical stimulus and further including thermal stimulus.

20 44. An oral appliance as claimed in claim 37 wherein the pulse has a frequency between 1 Hz and 80 Hz.

25 45. An oral appliance as claimed in claim 36 wherein the pulse has a duration between 20 ms and 100 ms.

30 46. An oral appliance as claimed in claim 36 wherein the pulse has a pulse train duration of between 0.1 sec and 20 sec.

35 47. An oral appliance as claimed in claim 36 wherein the pulse has a pulse pressure of between 1 mmHg and 80 mmHg.

40 48. An oral appliance as claimed in claim 37 wherein the pulse is aerosolized liquid and the liquid is room temperature distilled water.

45 49. An oral appliance as claimed in claim 37 wherein the pulse is aerosolized liquid and the liquid is cold distilled water.

50. An oral appliance as claimed in claim 37 wherein the pulse is room temperature aerosolized liquid and the liquid includes one of NaCl, sucrose, quinine and lemon juice.

5

51. An oral appliance as claimed in claim 37 wherein the pulse is cold aerosolized liquid and the liquid includes one of NaCl, sucrose, quinine and lemon juice.

10

52. An oral appliance as claimed in claim 37 wherein the conduit has a plurality of outlets.

53. An oral appliance as claimed in claim 52 wherein each outlet has a nozzle attached thereto.

15

54. An oral appliance as claimed in claim 37 further including a means for determining a respiratory cycle to determine inspiratory and expiratory phases for respiration whereby the pulse is generated at a predetermined after the expiratory phase.

20

55. An oral appliance as claimed in claim 54 wherein the means for determining a respiratory cycle is a respiratory force sensor.

56. An oral appliance as claimed in claim 36 wherein the mouthpiece is coated with an oral disinfectant.

25

57. An oral appliance as claimed in claim 36 wherein the mouthpiece is positioned in the subjects mouth in one of an upper gum line, an occlusal plane and a lower gum line.

30

58. An oral appliance as claimed in claim 36 further including a means for delivering gustatory stimulus.

59. An oral appliance as claimed in claim 58 wherein the gustatory stimulus is delivered in a fluid.

60. An oral appliance as claimed in claim 36 wherein the mouthpiece further includes a gustatory conduit adapted to deliver the gustatory stimulus.

61. An oral appliance as claimed in claim 55 wherein the mouthpiece is one of coated and impregnated with the gustatory stimulus.

62. An oral appliance as claimed in claim 36 wherein the mouthpiece position in the mouth allows for the subject to one of eat and drink when the mouthpiece is in situ whereby swallowing is evoked concurrently therewith.

63. An oral appliance as claimed in claim 36 wherein the oral appliance is used for one of evoking swallowing in the subject, as a diagnostic tool and speech therapy.

64. A method of creating a bolus in a subject's or patient's mouth comprising the step of:

delivering a series of a stimuli to a predetermined area in the subject's mouth, each stimulus having predetermined parameters and wherein at least one of the stimuli of the series of stimuli has different parameters to a next adjacent stimulus.

65. A method as claimed in claim 64 wherein the stimulus is one of a fluid, an electrical impulse, a kinetic stimulus and a combination thereof.

66. A method as claimed in claim 65 wherein the stimulus is a fluid having a pulse duration and each pulse has a different duration from the next adjacent pulse.

5 67. A method as claimed in claim 66 wherein the fluid is one of gas, liquid and an aerosolized liquid.

68. A method as claimed in claim 64 wherein the plurality of stimulus includes a first stimulus having a first predetermined parameters a second pulse having a second predetermined parameters different from the first predetermined parameters and a third stimulus having a third predetermined parameters different from the first and second predetermined parameters and wherein the order of the first second and third stimulus are random.

10

69. A method as claimed in claim 64 wherein the stimulus is a fluid pulse and further includes a gustatory stimulus.

15

70. A method as claimed in claim 69 wherein the pulse is delivered at a predetermined temperature.

20

71. A method as claimed in claim 64 further including the step of initiating a stimulus responsive to a predetermined event.

72. A method as claimed in claim 71 wherein the predetermined event includes one of at a respiratory cycle, a physiologic signal reported from the user, manual stimulus delivery, an instruction provided to the subject, and a combination thereof.

25

73. A method as claimed in claim 72 wherein the stimulus is initiated a predetermined time after the predetermined event.

30

74. A method as claimed in claim 64 further including the step of one of eating and drinking and swallowing concurrently therewith.

5 75. A method as claimed in claim 64 wherein the oral appliance is used for one of evoking swallowing in the subject, as a diagnostic tool and for speech therapy.

10 76. An oral appliance for use with a subject in his/her mouth comprising:

a mouthpiece adapted to be positioned in the subject's oral vestibule, wherein the occlusal surfaces of the subject's teeth are substantially not covered by the mouthpiece, and wherein the mouthpiece comprises a vibratory component.

15 77. An oral appliance for use with a subject in his/her mouth comprising:

20 a mouthpiece adapted to be positioned in the subject's oral vestibule, wherein the occlusal surfaces of the subject's teeth are substantially not covered by the mouthpiece, and wherein the mouthpiece comprises an electrode adapted and configured to administer an electrical stimulation to an interior surface of the subject's mouth.

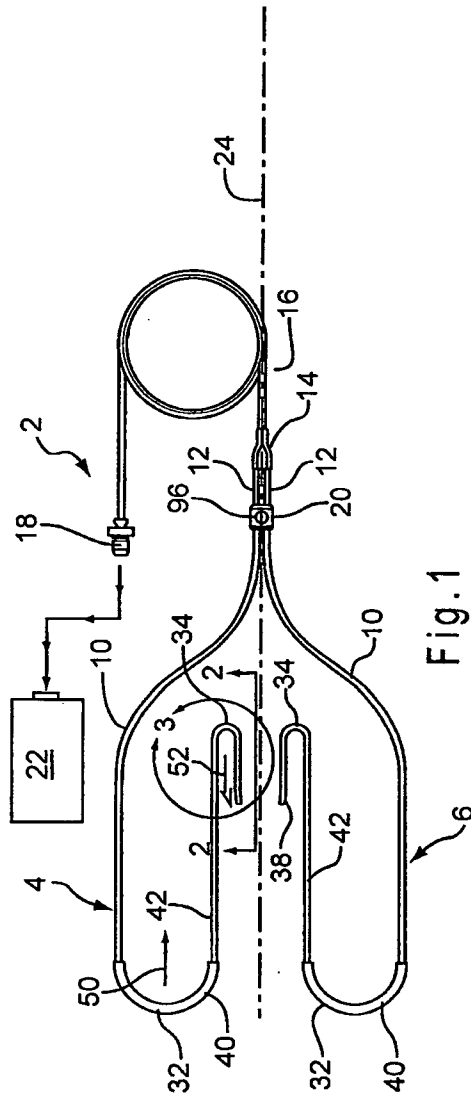


Fig. 1

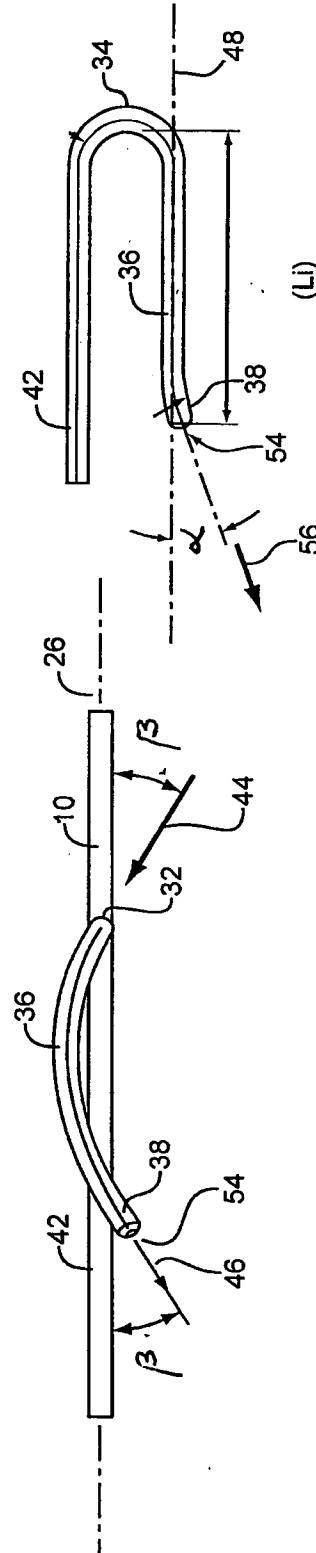


Fig. 2

Fig. 3

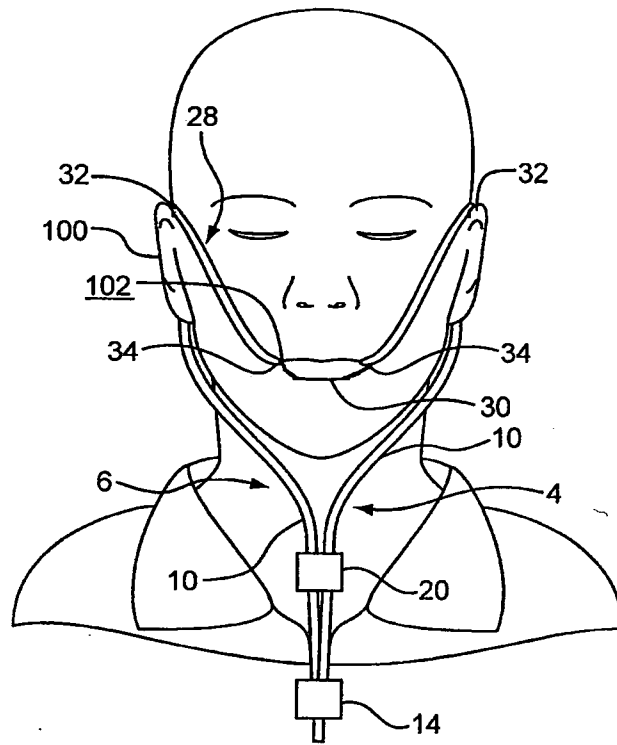


Fig.4

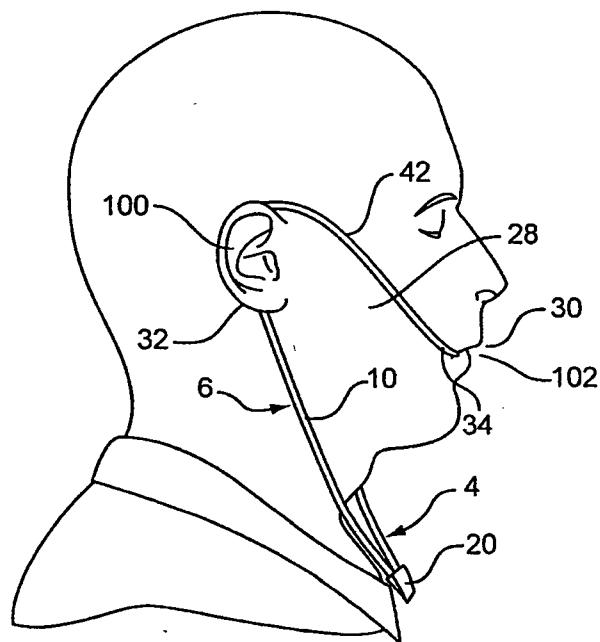
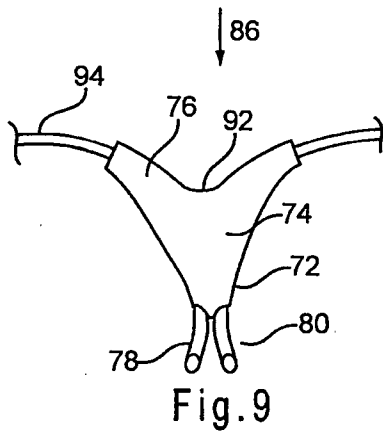
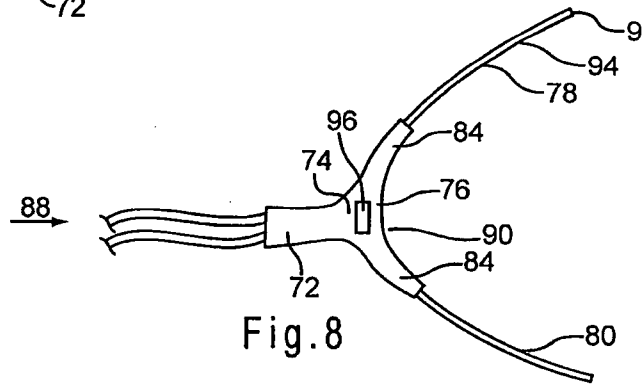
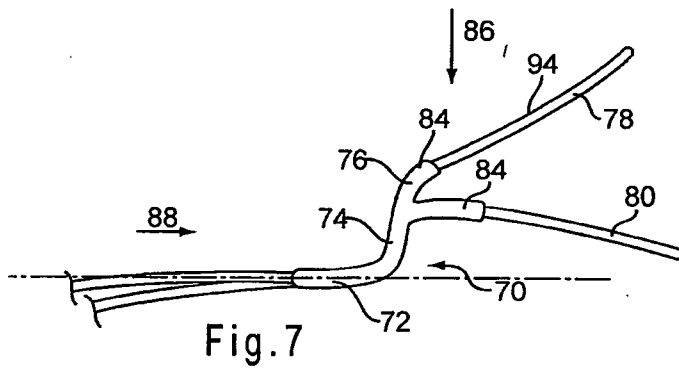
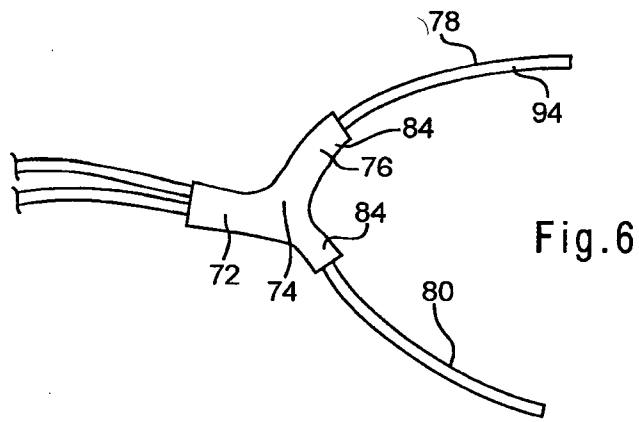


Fig.5



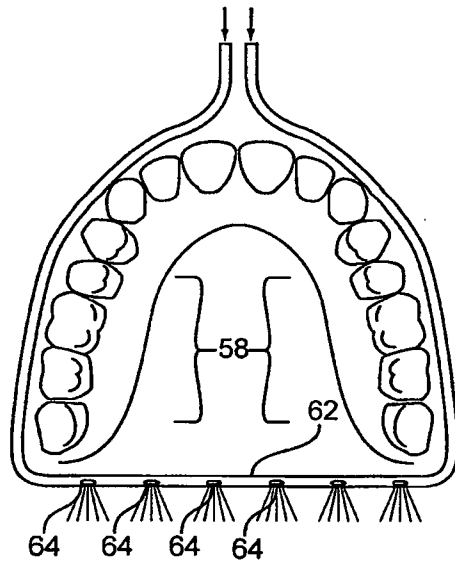


Fig. 10

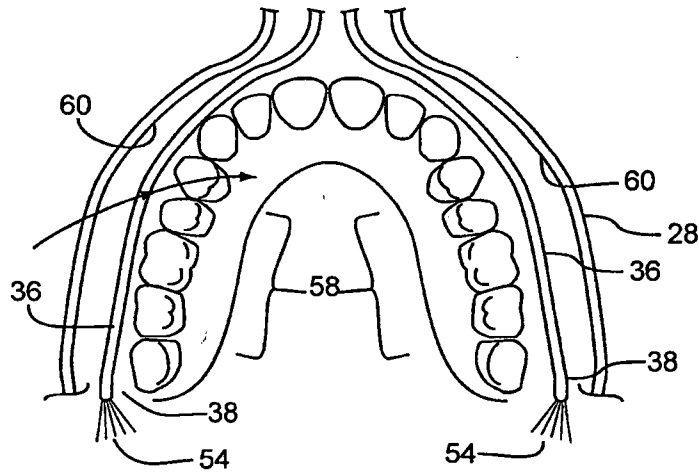


Fig. 11

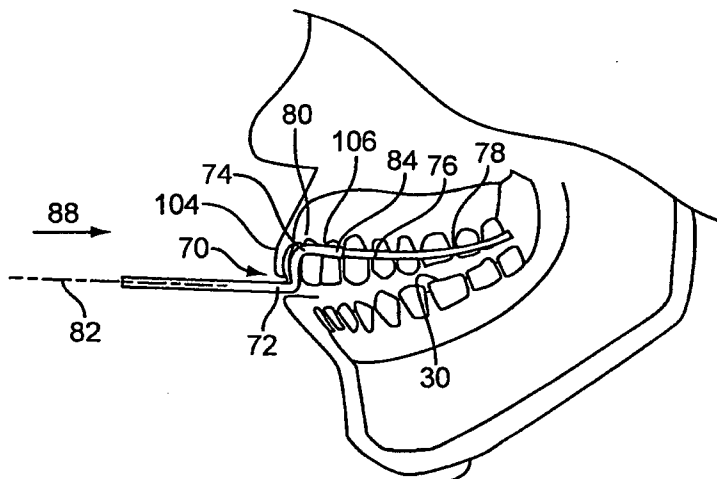


Fig. 12

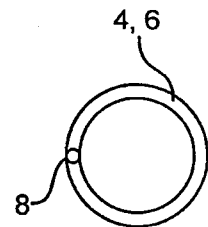


Fig. 13

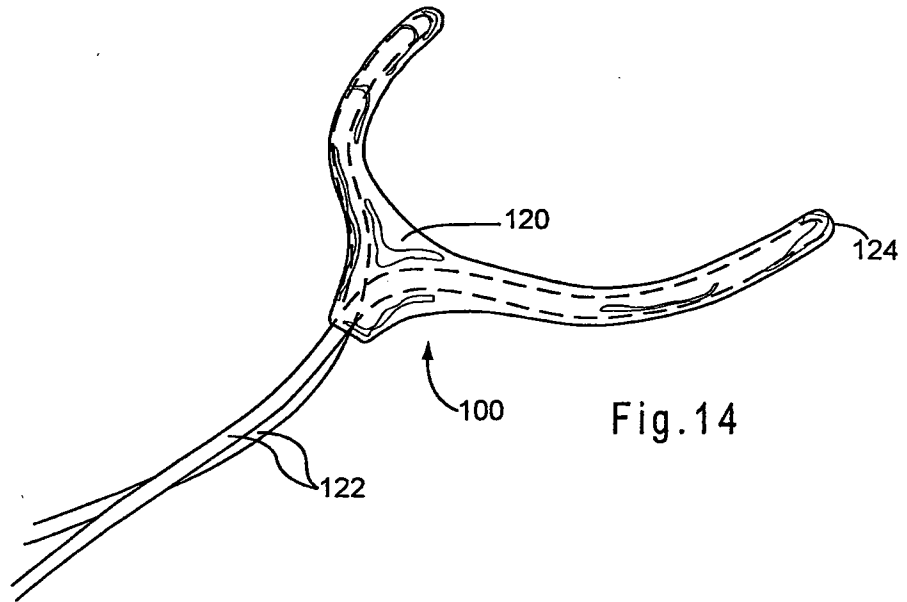


Fig. 14

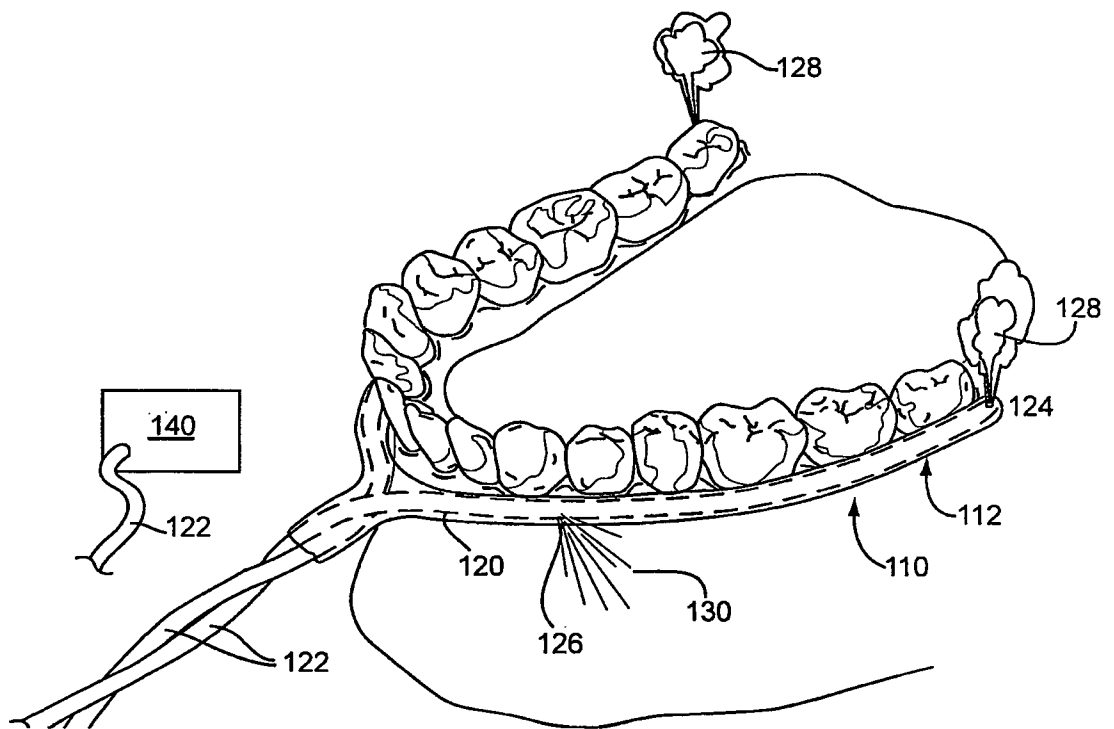
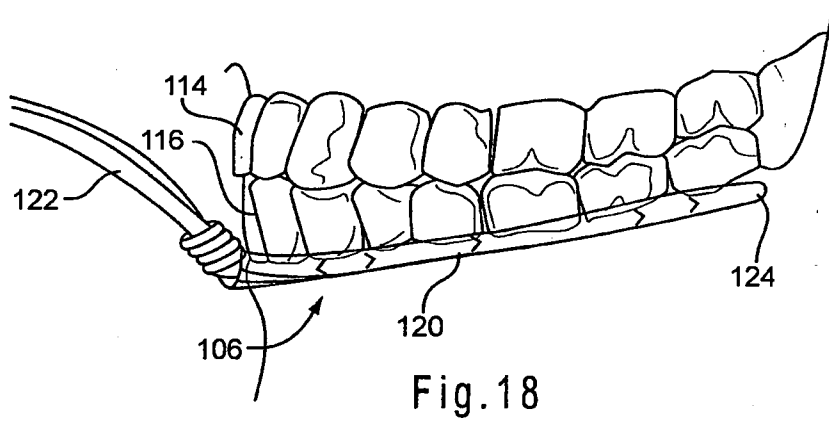
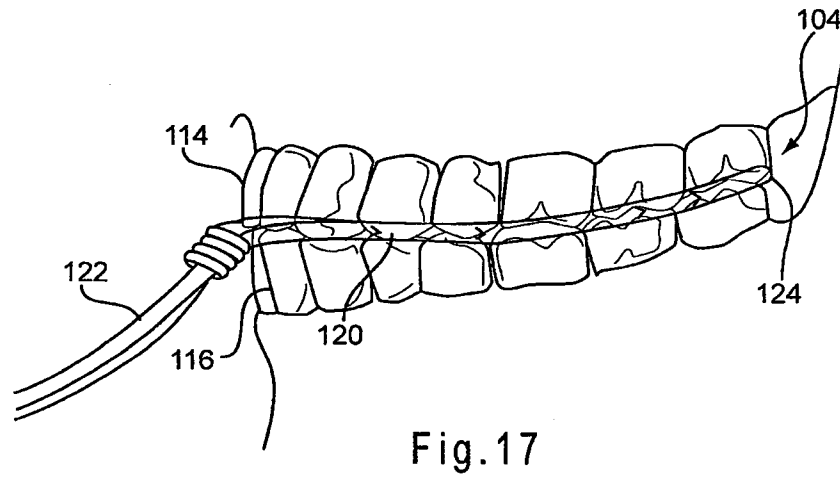
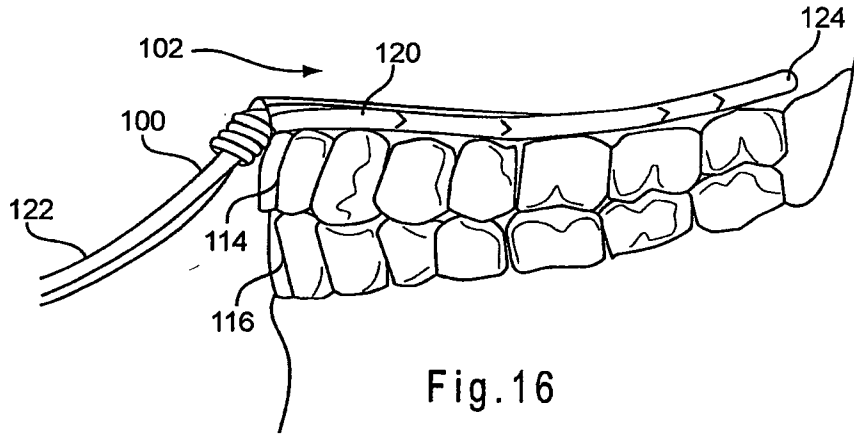


Fig. 15



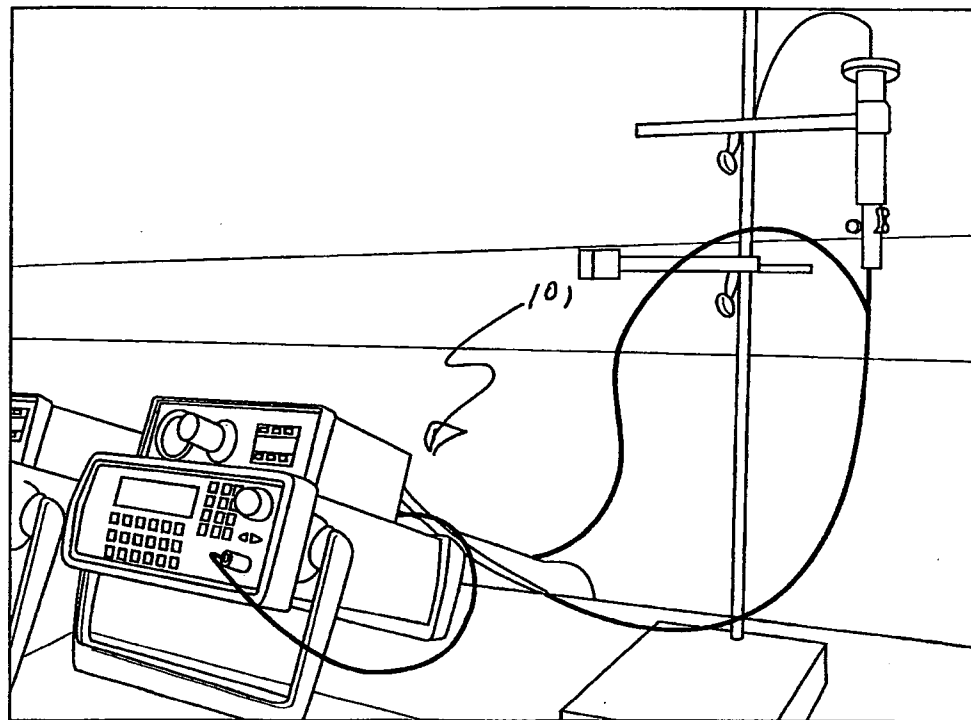


Fig.19

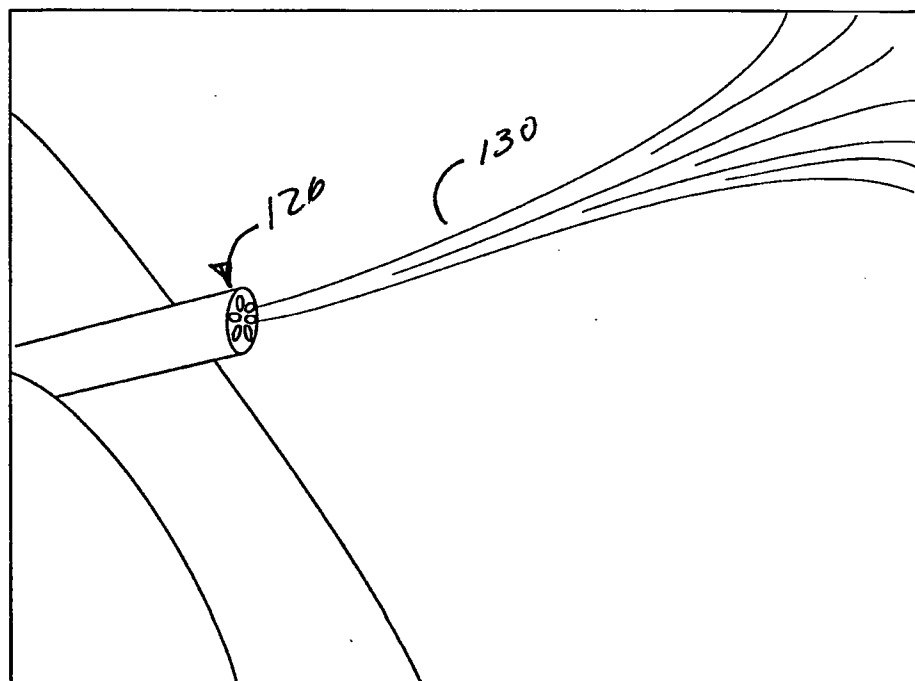
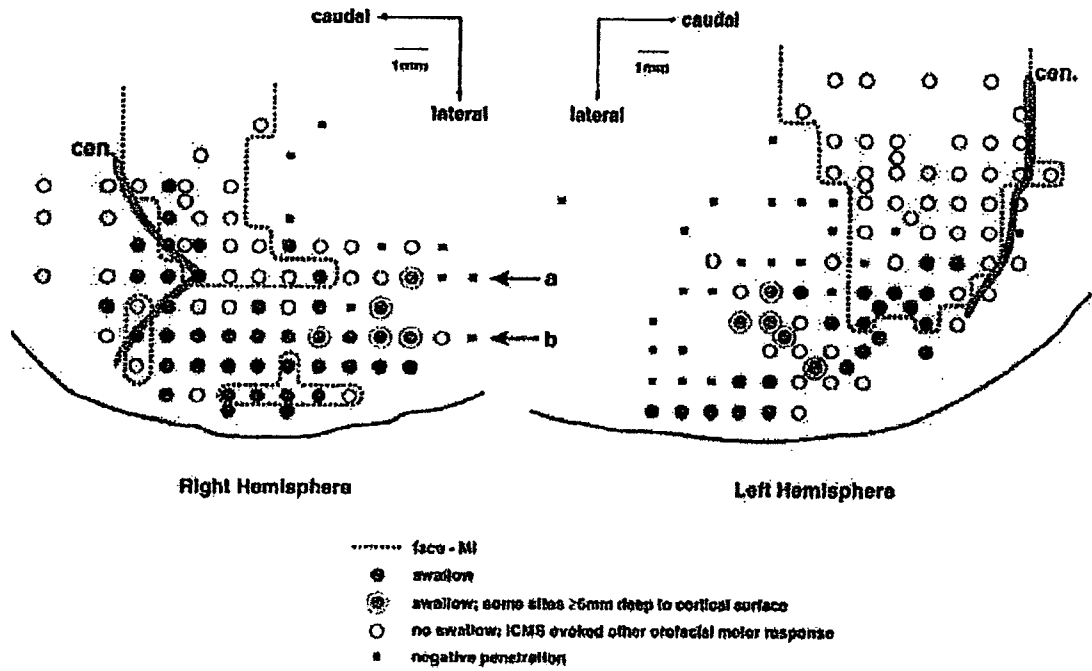


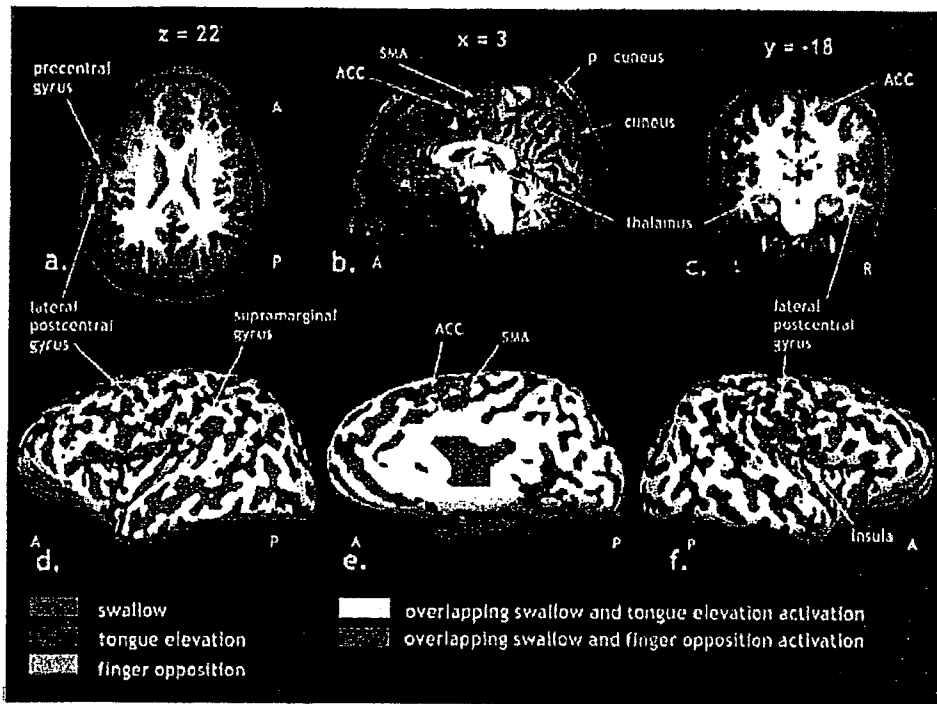
Fig.20



x

Intracortical microstimulation of the lateral primary motor cortex.

Fig.21



Functional magnetic resonance imaging of swallowing, tongue elevation, and finger opposition.

Fig.22

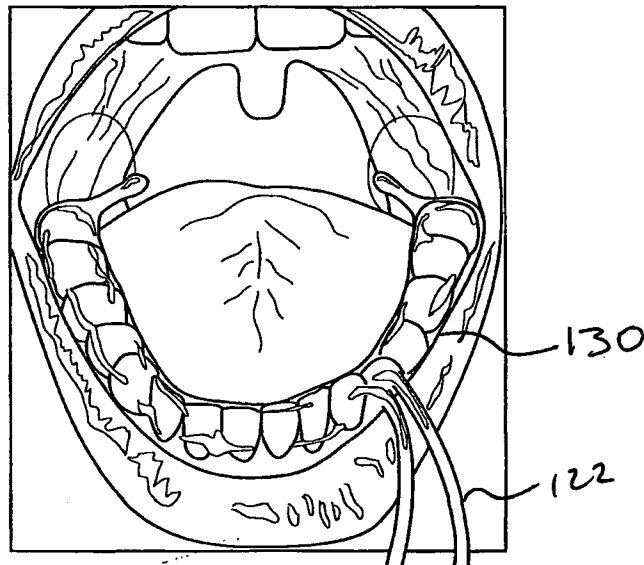
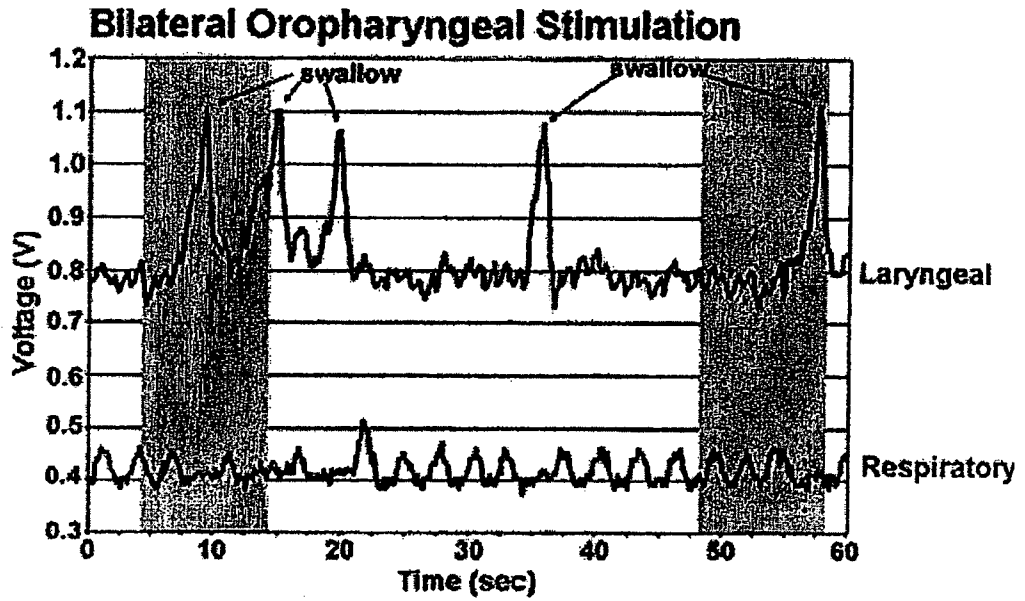
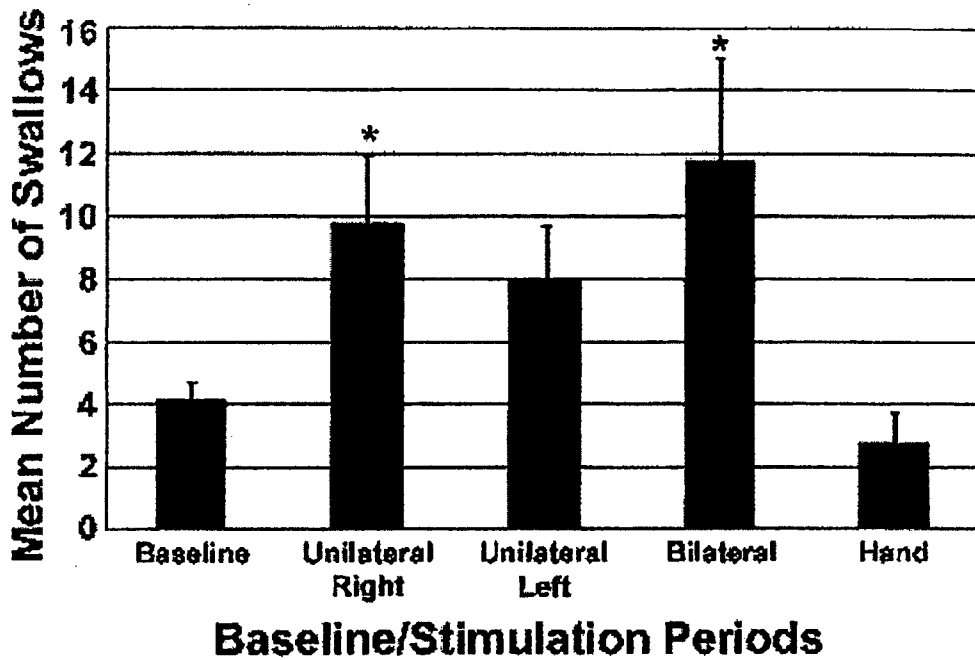


Fig.23



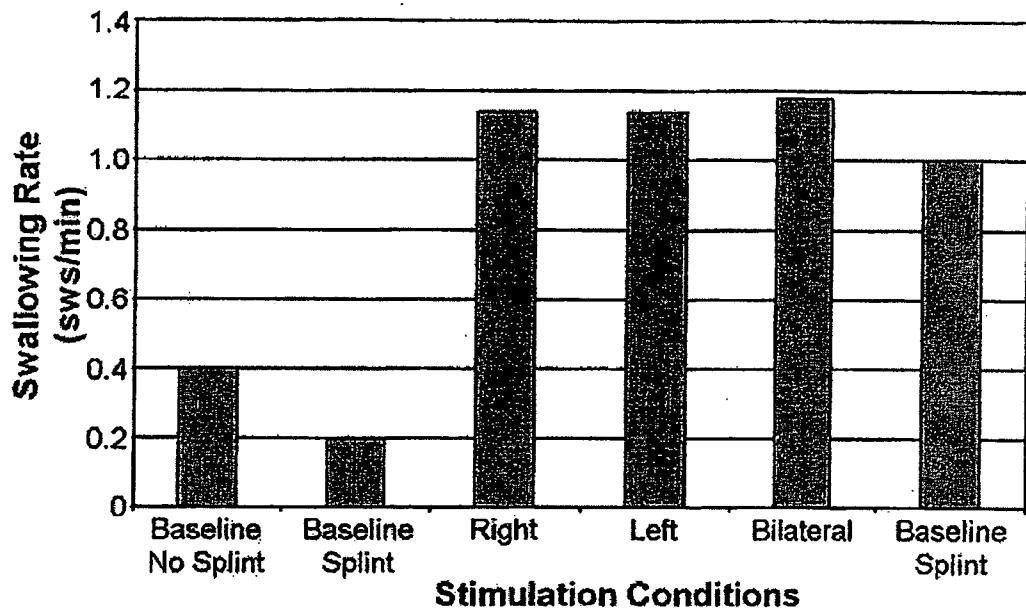
Recordings of laryngeal and respiratory sensors during bilateral oropharyngeal air-pulse stimulation.

Fig.24



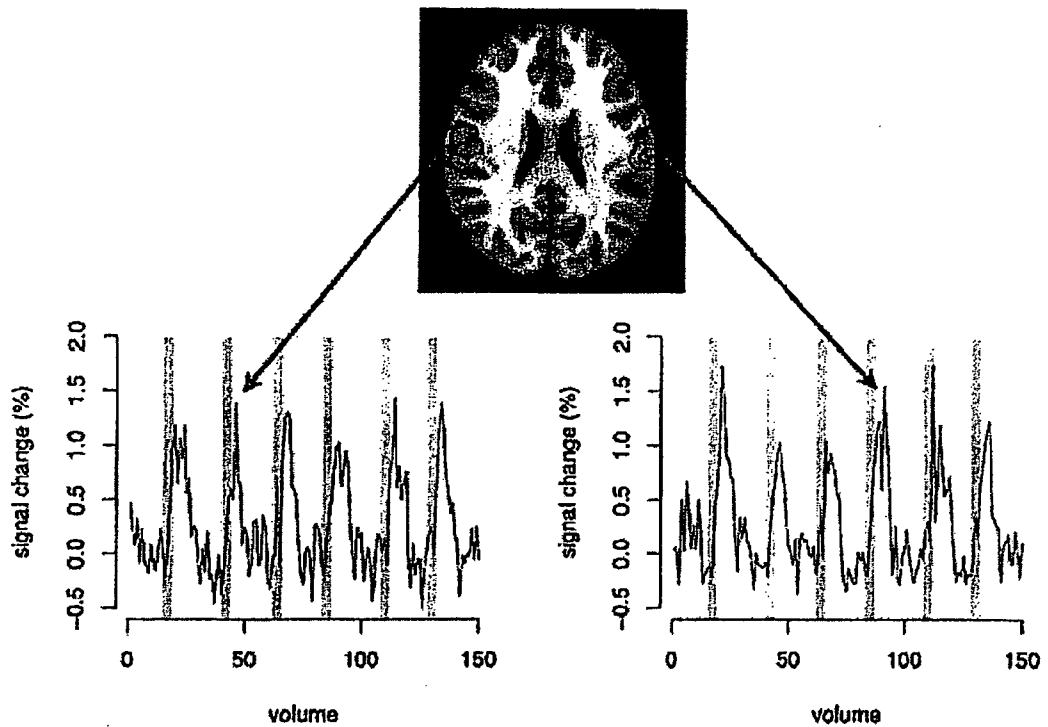
Swallowing frequency in relation to oropharyngeal air-pulse stimulation.

Fig.25



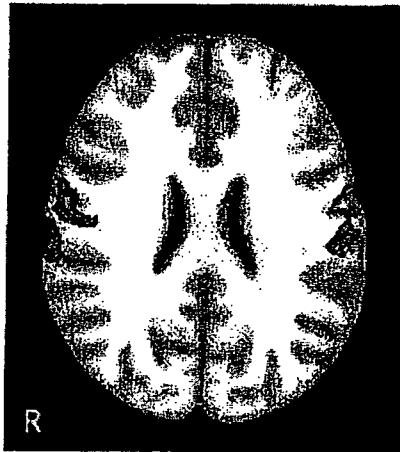
Swallowing rate in a patient with stroke.

Fig.26



Functional magnetic resonance imaging of oropharyngeal air-pulse stimulation.

Fig.27



Functional magnetic resonance imaging of air-pulse induced swallowing.

Fig.28

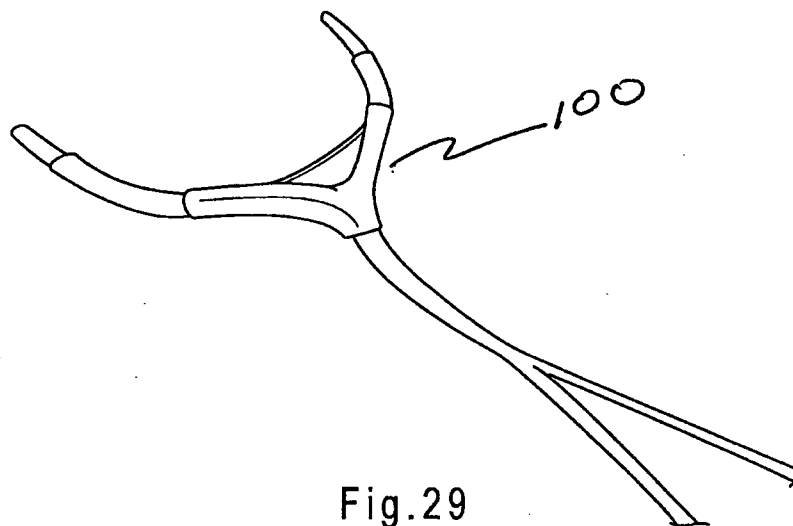
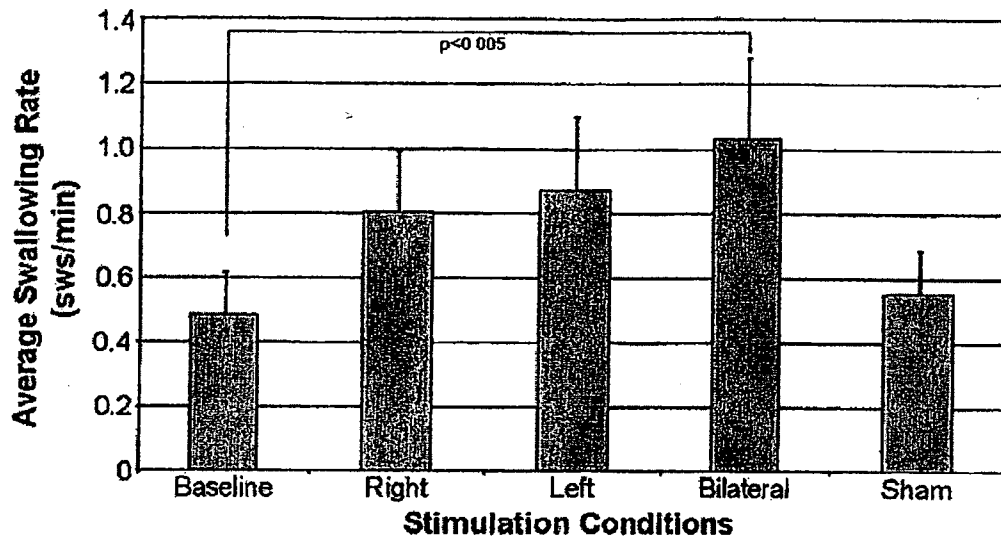


Fig.29



Swallowing rate during oropharyngeal air-pulse stimulation in elderly individuals.

Fig.30

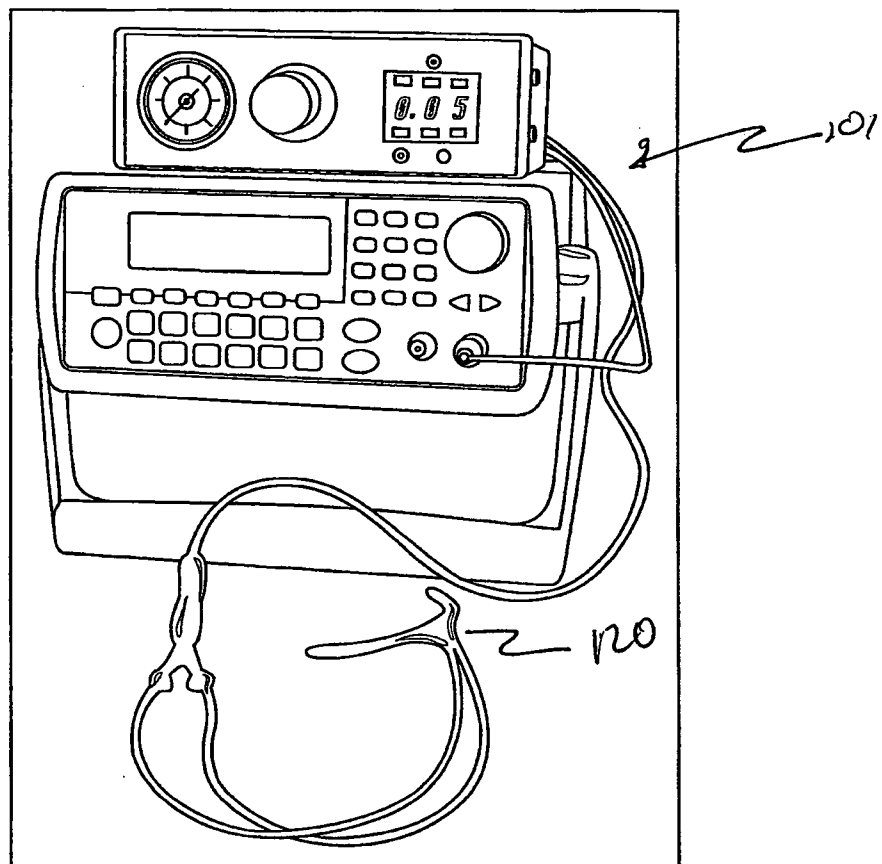


Fig.31

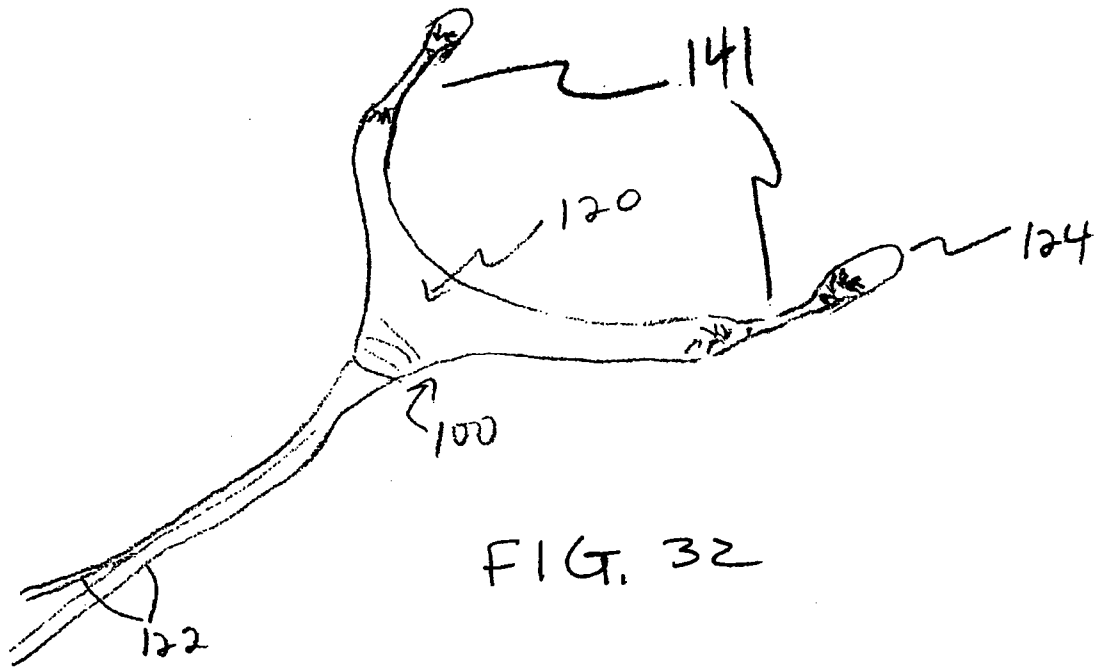


FIG. 32

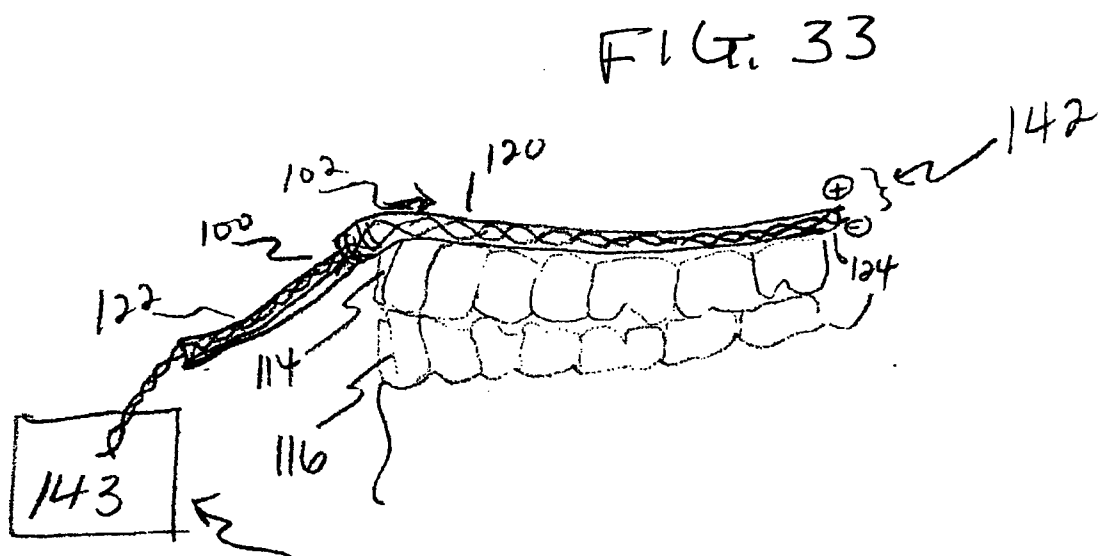


FIG. 33

专利名称(译)	吞咽空气脉冲治疗咬嘴及其使用方法		
公开(公告)号	<a href="#">EP2271300A2</a>	公开(公告)日	2011-01-12
申请号	EP2009732626	申请日	2009-04-15
[标]申请(专利权)人(译)	特鲁德尔医学国际公司 西安大略大学		
申请(专利权)人(译)	TRUDELL 医疗国际 西安大略大学		
当前申请(专利权)人(译)	TRUDELL 医疗国际 西安大略大学		
[标]发明人	MARTIN RUTH E NUTTALL MICHAEL BARAN MITCHELL A BARAN GEORGE FINLAY BRYAN THEURER JULIE TROTTER SARAH		
发明人	MARTIN, RUTH, E. NUTTALL, MICHAEL BARAN, MITCHELL, A. BARAN, GEORGE FINLAY, BRYAN THEURER, JULIE TROTTER, SARAH		
IPC分类号	A61J7/00 A61B5/00 A61F5/00 A61H1/00 A61N1/18 A61N1/36		
CPC分类号	A61H13/00 A61H21/00 A61H2201/10 A61J7/0061 A61M11/00 A61M16/0006 A61M16/049 A61M16/0666 A61M2202/0208 A61M2202/025 A61M2210/0625 A61N1/04 A61N1/0452 A61N1/0456 A61N1/0548 A61N1/18 A61N1/205 A61N1/26 A61N1/36007		
优先权	61/071144 2008-04-15 US		
其他公开文献	EP2271300A4		
外部链接	<a href="#">Espacenet</a>		

#### 摘要(译)

用于向使用者口腔施加刺激物质的口腔器具包括具有入口部分的柔性管，形成连接到入口部分的耳环的第一弯曲部分，形成唇缘弯曲的第二弯曲部分连接到第一弯曲部分，和从第二弯曲部分延伸的出口部分。或者，用于将物质输送到使用者口腔的接口管包括壳体，该壳体具有入口部分，从入口部分向上延伸的立管部分和弯曲的出口部分。柔性管连接到壳体。将物质输送到使用者口中的预定位置的方法包括将柔性管设置在一排牙齿和面颊的内表面之间。柔性管具有位于使用者口腔后部的出口。柔性管的任何部分都不设置在使用者的上齿和下齿之间，使得上齿和下齿可以彼此闭合。该方法还包括通过出口分配物质。

