

(19) World Intellectual Property Organization
International Bureau



(43) International Publication Date
7 September 2007 (07.09.2007)

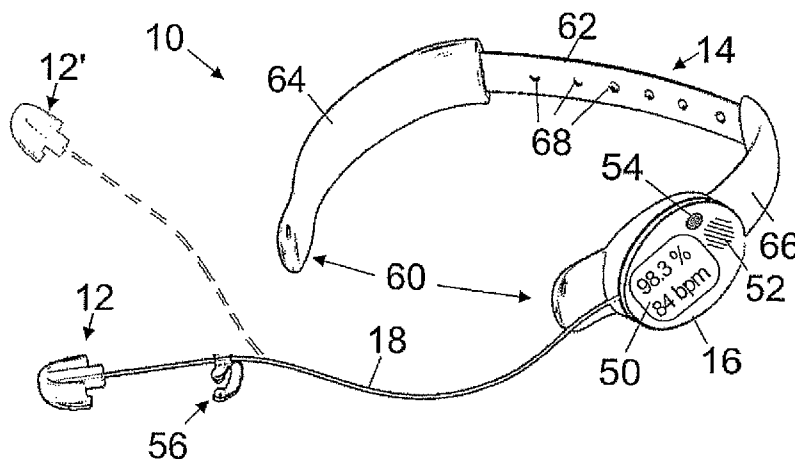
PCT

(10) International Publication Number
WO 2007/100959 A2

- (51) International Patent Classification:
A61B 5/00 (2006.01) A61B 5/024 (2006.01)
 - (21) International Application Number:
PCT/US2007/061639
 - (22) International Filing Date: 6 February 2007 (06.02.2007)
 - (25) Filing Language: English
 - (26) Publication Language: English
 - (30) Priority Data:
60/777,503 28 February 2006 (28.02.2006) US
 - (71) Applicant (for all designated States except US): **KONINKLIJKE PHILIPS ELECTRONICS, N.V.** [NL/NL]; Groenewoudseweg 1, NL-5621 BA Eindhoven (NL).
 - (72) Inventors; and
 - (75) Inventors/Applicants (for US only): **MORONEY, Richard, M., III.** [US/US]; 3 Kensington Court, Princeton, NJ 08540 (US). **NIELSEN, Larry** [US/US]; 7 Thistle Road, Burlington, MA 01803 (US). **KAVANAGH, Suzanne, M.** [US/US]; 87 Argilla Road, Andover, MA 01810 (US). **AARTS, Ronald, M.** [NL/NL]; Nimrodsl 28, NL-5683 TE Geldrop (NL). **DE KOK, Margreet** [NL/NL]; Madernolaan 2, NL-5624 KT Eindhoven (NL).
 - (74) Common Representative: **KONINKLIJKE PHILIPS ELECTRONICS, N.V.**; c/o Thomas M. Lundin, 595 Miner Road, Cleveland, OH 44143 (US).
 - (81) Designated States (unless otherwise indicated, for every kind of national protection available): AE, AG, AL, AM, AT, AU, AZ, BA, BB, BG, BR, BW, BY, BZ, CA, CH, CN, CO, CR, CU, CZ, DE, DK, DM, DZ, EC, EE, EG, ES, FI, GB, GD, GE, GH, GM, GT, HN, HR, HU, ID, IL, IN, IS, JP, KE, KG, KM, KN, KP, KR, KZ, LA, LC, LK, LR, LS, LT, LU, LV, LY, MA, MD, MG, MK, MN, MW, MX, MY, MZ, NA, NG, NI, NO, NZ, OM, PG, PH, PL, PT, RO, RS, RU, SC, SD, SE, SG, SK, SL, SM, SV, SY, TJ, TM, TN, TR, TT, TZ, UA, UG, US, UZ, VC, VN, ZA, ZM, ZW.
 - (84) Designated States (unless otherwise indicated, for every kind of regional protection available): ARIPO (BW, GH, GM, KE, LS, MW, MZ, NA, SD, SL, SZ, TZ, UG, ZM, ZW), Eurasian (AM, AZ, BY, KG, KZ, MD, RU, TJ, TM), European (AT, BE, BG, CH, CY, CZ, DE, DK, EE, ES, FI, FR, GB, GR, HU, IE, IS, IT, LT, LU, LV, MC, NL, PL, PT, RO, SE, SI, SK, TR), OAPI (BF, BJ, CF, CG, CI, CM, GA, GN, GQ, GW, ML, MR, NE, SN, TD, TG).
- Declaration under Rule 4.17:**
— as to applicant's entitlement to apply for and be granted a patent (Rule 4.17(ii))

[Continued on next page]

(54) Title: BIOMETRIC MONITOR WITH ELECTRONICS DISPOSED ON OR IN A NECK COLLAR



(57) Abstract: A highly portable biometric monitor is disclosed. At least one remote sensor member (12, 12') includes one or more biometric sensors (20, 22, 24, 25) configured for operative coupling with a patient. A neck collar (14, 114, 214, 314, 414) includes electronics (36, 40, 42, 44, 46, 48) for operating the at least one remote sensor member. The at least one remote sensor member is separate from and not disposed on the neck collar. Optionally, the collar also includes one or more biometric sensors (53). A communication link (18) operatively connects the remote sensor member and the electronics of the neck collar. A motion sensor (26) and position sensor (28) may be disposed with the one or more biometric sensors to sense movement and position, and the electronics (36, 40, 42, 44, 46, 48) configured to account for error in a signal produced by the one or more biometric sensors due to movement sensed by the motion sensor or position sensed by the position sensor. The electronics (36, 40, 42, 44, 46, 48) may log patient activity and body position.

WO 2007/100959 A2



Published:

— without international search report and to be republished upon receipt of that report

For two-letter codes and other abbreviations, refer to the "Guidance Notes on Codes and Abbreviations" appearing at the beginning of each regular issue of the PCT Gazette.

BIOMETRIC MONITOR WITH ELECTRONICS DISPOSED ON OR IN A NECK COLLAR

DESCRIPTION

- 5 The following relates to the medical monitoring arts. It finds particular application in conjunction with monitoring of vital signs such as heart rate, blood oxygen saturation (SpO₂), respiration, core body temperature, and so forth, and will be described with particular reference thereto. However, the following is also applicable to biometric monitoring in general.
- 10 Monitoring of vital signs such as heart rate, blood oxygen saturation (SpO₂), respiration, core body temperature, and so forth, enables early detection of potentially adverse medical conditions, thus in turn enabling early intervention by medical personnel. Such monitoring is advantageously performed continuously, since any interruption in monitoring presents a time interval during which patient deterioration may occur without
- 15 warning. In particular, it is advantageous to perform continuous vital signs monitoring when the patient is being moved by medical personnel, or when the patient is ambulatory (walking or moving in a wheelchair or other transport-assisting device), since such activities can stress the patient so as to increase the likelihood of onset of a deleterious medical condition.
- 20 Traditionally, continuous monitoring has been performed using biometric sensors attached to the patient. These sensors are typically connected by wires with one or more medical monitoring devices each of which typically include alarm annunciation, a display for viewing physiological waveforms and trends of vital signs data, a digital readout showing current vital signs data, storage for storing vital signs data, and so forth. The
- 25 medical monitoring devices in turn may be connected with a hospital computer network via additional cabling. The extensive wiring and cabling in such traditional monitoring setups is recognized as having significant disadvantages, including reduced patient mobility, compromised patient comfort, hindered patient access, and increased difficulty in moving the patient for x-rays or other diagnostic tests.
- 30 Accordingly, there is interest in substituting wireless links for the wiring and cabling of traditional monitoring setups. Medical monitoring devices are sometimes connected with the hospital network via a wireless local area network (WLAN) connection

or other wireless digital communication protocol. Additionally, the biometric sensors may communicate with the medical monitoring devices by a short-range wireless communication protocol such as Bluetooth. These approaches reduce or eliminate wiring and cabling, but introduce other disadvantages. Wireless connections are not visible, and so interruption of a wireless link is not readily apparent to medical personnel. Alarms may be provided to indicate loss of wireless communication – however, it can be difficult and stressful for medical personnel to identify the cause of such an alarm. The short-range wireless communication between the biometric sensor and its associated medical monitoring device is particularly susceptible to interruption, for example if the patient is moved or ambulates away from the medical monitoring device. The invisibility of the wireless link between the biometric sensor and the medical monitoring device increases the likelihood that such an interruption will occur, since it is not readily apparent to the patient or to medical personnel that the medical monitoring device must be moved with the patient.

Another problem with using a short-range wireless link between a biometric sensor and the medical monitoring device is that such wireless communication takes relatively substantial electrical power to operate. Thus, the biometric sensor includes an on-board battery or other electrical power source sufficient to drive a short-range wireless transmitter to communicate with the medical monitoring device. Such an on-board battery or other electrical power source is typically bulky and heavy, making the wearing of the biometric sensor uncomfortable for the patient. This discomfort is particularly acute in the case of an ear sensor member that includes biometric sensors operatively coupling to the exterior of an ear or to an ear canal.

The following contemplates improvements that overcome the aforementioned limitations and others.

According to one aspect, a biometric monitor is disclosed. At least one remote sensor member includes one or more biometric sensors configured for operative coupling with a patient. A neck collar includes electronics for operating with the at least one remote sensor member. The neck collar optionally also includes one or more additional biometric

sensors disposed with the neck collar. A communication link operatively connects the at least one remote sensor member and the electronics of the neck collar.

According to another aspect, a biometric monitor is disclosed. A sensor member includes: (i) one or more biometric sensors configured to couple with a patient at a
5 coupling point; and (ii) a motion sensor disposed with the one or more biometric sensors to sense movement and/or patient position at the coupling point. Electronics are configured to account for error in a signal produced by the one or more biometric sensors due to movement or change in patient position sensed by the motion sensor.

According to another aspect, a biometric monitor is disclosed. One or more vital
10 signs sensors are configured for coupling with an ear and sense at least pulse rate via the coupled ear. A light emitter is provided. Control circuitry is provided to control blinking of the light emitter in accordance with the sensed pulse rate.

One advantage resides in increased patient comfort.

Another advantage resides in enhanced patient mobility.

15 Another advantage resides in improved robustness of biometric monitoring against patient ambulating activities and body positions.

Another advantage resides in improved patient safety through convenient and continuous vital signs monitoring.

Numerous additional advantages and benefits will become apparent to those of
20 ordinary skill in the art upon reading the following detailed description of the preferred embodiments.

The invention may take form in various components and arrangements of components, and in various process operations and arrangements of process operations.
25 The drawings are only for the purpose of illustrating preferred embodiments and are not to be construed as limiting the invention.

FIGURE 1 shows a perspective view of a biometric monitor including an ear sensor member configured to couple with a patient's ear, tethered with electronics disposed on and/or in a neck collar that has an adjustable collar size implemented as a post-and-hole
30 adjustment system.

FIGURE 2 diagrammatically shows a functional block diagram of the biometric monitor of FIGURE 1.

FIGURE 3 shows a perspective view of a biometric monitor including an in-ear biometric sensor member tethered with electronics disposed on and/or in a neck collar that has a continuously adjustable collar size.

FIGURE 4 shows perspective views of a continuously adjustable neck collar of the biometric monitor of FIGURE 3 adjusted to the maximum and minimum collar sizes.

FIGURE 5 shows a perspective view of an alternative neck collar having a continuously adjustable collar size that is symmetrical, adjusted to the minimum neck size.

FIGURE 6 shows a perspective view of the adjustable neck collar of FIGURE 5 adjusted to the maximum neck size.

FIGURE 7 shows a perspective view of the adjustable neck collar of FIGURE 5 with a cover for the region of the neck collar that is exposed by the sliding collar size adjustment.

FIGURE 8 shows a perspective view of an alternative neck collar in which the collar size is fixed but the position of an electronics module on the collar is adjustable.

FIGURE 9 shows a perspective view of an alternative neck collar that is deformable to fit the patient's neck.

FIGURE 10 diagrammatically shows processing performed by the electronics of the neck collar to accommodate head motion monitored by an accelerometer.

FIGURE 11 diagrammatically shows processing performed by the electronics of the neck collar to generate a log of patient activity and body position.

With reference to FIGURES 1 and 2, a biometric monitor **10** includes a remote sensor member **12**, which in the illustrated embodiment is configured for coupling with the ear of a patient, and a neck collar **14** configured for disposing around a patient's neck. The neck collar **14** includes an electronics module **16** containing electronics for operating the remote sensor member **12**. The remote sensor member **12** is remote in that it is separate from and not disposed on the neck collar **14** – in the illustrated embodiments, the remote sensor member **12** is an ear sensor member disposed on or in the ear. In other embodiments, the sensor member may be a finger sensor member disposed on a patient's

finger, or may be directly integrated into the electronics module or neck collar, inside the concha of the outer ear, the outer ear or earlobe, the forehead, the nose, the cheek, the tongue, the neck, the wrist, the arm, the belly-button or stomach, the ankle, or so forth. A flexible tether 18 connects the sensor member 12 and the electronics of the neck collar 14.

5 The ear sensor member 12 is a lightweight unit that includes one or more biometric sensors, such as the illustrated example blood oxygen saturation (SpO₂) sensor 20, core body temperature sensor 22, and respiration sensor 24. Other or additional biometric sensors 25 are also contemplated for inclusion in the sensor member 12, such as a non-invasive arterial blood pressure sensor. Moreover, non-biometric sensors such as a motion

10 sensor 26 for detecting head motion or a position sensor 28 for detecting patient body position may be included in the sensor member 12 or neck collar 14 or electronics module 16. In some embodiments, the motion sensor 26 includes one or more accelerometers, such as three accelerometers arranged to detect motion in three orthogonal directions. Small accelerometer-based motion sensors or gyro-based patient position sensors suitable for

15 inclusion in the sensor member 12 are readily manufactured, for example using microelectronic machining (MEMS) techniques. The remote sensor member 12 in some embodiments is an ear-based sensor member that is sized and sufficiently small to fit fully within the ear canal.

To make the remote sensor member 12 lightweight, most components for operating

20 the remote sensor member 12 are disposed in the neck collar 14. For example, an electrical power source 30, in the illustrated embodiment being two batteries, is disposed in the neck collar 14. The electrical power source 30 electrically powers components of the neck collar 14 and additionally electrically powers the biometric sensors 20, 22, 24, 25, motion sensor 26, patient position sensor 28, and optionally other components of the sensor member 12.

25 A power pathway 32 of the flexible tether 18 conveys electrical power from the electrical power source 30 of the neck collar 14 to the sensor member 12. Because a battery, batteries, or other electrical power sources tend to be relatively heavy and bulky, disposing the electrical power source 30 on or in the neck collar 14 so that the electrical power source can be omitted from the remote sensor member 12 enables substantial reduction in size and

30 weight of the remote sensor member 12. However, it is also contemplated to provide an electrical power source on the remote sensor member.

In similar fashion, sensor signals from the biometric sensors 20, 22, 24, 25 and from the motion sensor 26 or the patient position sensor 28 are conveyed from the remote sensor member 12 to the neck collar 14 by a data communication pathway 34 of the flexible tether 18. In the illustrated embodiment, the sensor data is conveyed as analog sensor signals which are converted to digital signal samples by a sensor signals analog-to-digital (A/D) converters 36. Disposing the A/D converters 36 on or in the neck collar 14 rather than on or in the remote sensor member 12 again reduces weight and bulk of the remote sensor member 12; however, it is contemplated to dispose A/D converters on or in the remote sensor member so as to enable the remote sensor member to directly output digital sensor signal samples.

The neck collar 14 provides a platform for disposing various types of electronics for the biometric sensor 10. For example, a digital processor 40, such as a microprocessor, microcontroller, or so forth, configured to perform executable instructions (such as software or firmware) stored in an executable memory 42 such as a read-only memory (ROM), programmable read-only memory (PROM), FLASH memory, or so forth can be included to perform various data processing tasks. For example, the digital processor 30 can be used in conjunction with a system clock 44 to time-stamp the digital sensor signal samples output by the A/D converters 36. In other embodiments, a time-stamping algorithm is integrated into the A/D converters so that they directly output time-stamped digital sensor signal samples. The time-stamped digital samples can be stored in a data storage 46, such as an electrostatic memory, FLASH memory, random-access memory (RAM), or so forth to provide trending data for the monitored biometric parameters.

The stored time-stamped digital sensor signal samples can be off-loaded to a hospital computer or other device using a wireless transceiver 48 employing a wireless electromagnetic, infrared, or other wireless communication channel. Alternatively, the neck collar 14 can include a suitable port built into the electronics module 16, such as a USB port (not shown), to enable a hospital computer or other device to temporarily connect with the neck collar 14 to off-load the stored time-stamped digital sensor signal samples. Such a wired or wireless connection 48 can also optionally be used for communicating data to the biometric monitor 10, such as for remotely silencing an alarm, or for remotely changing alarm limits, or for receiving a firmware update, or for receiving configuration information for configuring the biometric monitor 10 respective to a patient.

Such configuration information may include, for example, patient identification information (e.g., name, primary physician, insurance information, or so forth), patient weight, or so forth. Configuration information may also include functional parameters, such as a selection of which of the biometric sensors **20**, **22**, **24**, **25** should be performing active monitoring. The configuration information may be stored in the data storage **46** or in a separate storage (not shown). Depending upon the purpose served, the wireless transceiver **48** may be replaced by a transmit-only unit (e.g., if the only application is off-loading trending data) or by a receive-only unit (e.g., if the only application is receiving alarm limits or alarm silence commands, or receiving patient or configuration data).

Typically, it is desirable to have a real-time output, in addition to or instead of the stored trending data that is later off-loaded. In the illustrated embodiment, a display **50**, such as an LED or LCD display, shows the blood oxygen saturation (currently showing at 98.3% in FIGURE 1) and the heart rate (currently showing at 84 bpm). The heart rate is readily derived from the sensor signal of the SpO₂ sensor **20** using a known heart rate derivation algorithm performed by the digital processor **40**. The display **50** is arranged on the electronics module **16** so that it is readable when the neck collar **14** is worn by a patient. This allows for the complete patient monitor to always be with an ambulating patient. The illustrated embodiment also includes an audio alarm **52**, and the digital processor **40** is configured to activate the audio alarm **52** responsive to a biometric sensor signal or signals corresponding to a vital sign or vital signs satisfying an alarm criterion. For example, if the blood oxygen saturation drops below a threshold value such as 90%, the alarm may be configured to activate, or if the heart rate exceeds a threshold value such as 150 bpm the alarm may be configured to activate. Should both of these above stated conditions occur simultaneously, a more serious alarm may be configured to activate. Instead of or in addition to the audio alarm **52**, the digital processor **40** may be configured to cause the wireless transceiver **48** to output a suitable warning signal that is detectable and interpretable by wireless receivers disposed throughout the hospital.

The illustrated example biometric monitor **10** includes numerous features, such as the visual display **50**, audio alarm **52**, components **46**, **48** for storing and off-loading trending biometric data, and so forth. The inclusion of these numerous features is enabled by using the neck collar **14** to support most components implementing these features, so

that the remote sensor member 12 can remain lightweight. Thus, the advantages of having an in-ear sensor member (such advantages including, for example, core body, versus skin, temperature monitoring, reduced ambient light interference, reduced motion artifacts compared with sensor members disposed on the arm, or hand, or finger, and so forth) are retained without commensurate limitations on the size or bulkiness of components driving the biometric sensors or processing sensor data. The ear sensor member can be an in-ear sensor member, or can mount over-the-ear, or can clip onto the ear lobe, or so forth. For SpO₂ measurements, an ear lobe clip arrangement can be convenient and effective for acquiring accurate SpO₂ measurements. The in-ear arrangement is especially good for core body temperature and SpO₂ measurements. It is contemplated for the in-ear sensor member to include two or more vital sign parameters, such as SpO₂ and core body temperature. The flexible tether 18 optionally also includes an earlobe clip 56 or other feature for securing the tether 18 to the earlobe to reduce motion artifacts caused by head movement and reduce the likelihood that head movement may dislodge the ear sensor member 12.

Without the tether, it is difficult to convey electrical power from the neck collar to the remote sensor member, although the use of wireless power-carrying electromagnetic power transmissions is contemplated. In some embodiments the remote sensor member may be adequately powered by a small on-board electrical power source, such as a battery or batteries commonly used in in-the-ear style hearing aids. In such embodiments, such as an active electrocardiographic electrode or electrodes, it is contemplated to employ a wireless low power communication link operatively connecting the remote sensor member and the electronics of the neck collar. Some suitable wireless low power communication links may employ a Bluetooth protocol, a body-coupled communication protocol, or so forth. The on-board power source of the remote sensor member should then produce sufficient power to drive both the biometric sensor or biometric sensors and the on-board transmitter that conveys the sensor data to the neck collar. Such an arrangement retains the benefit of placing the electronics and output and/or trending/off-loading elements on the neck collar, thus substantially reducing the size and weight of the remote sensor member.

In some embodiments, only some of the outputs 48, 50, 52 are provided. For example, the biometric monitor may include only a visual display. If the trending aspect is omitted, then time-stamping of digital sensor signal samples is also optionally omitted.

Those skilled in the art may also choose to incorporate other features which take advantage of the flexibility provided by the neck collar-based electronics. In some embodiments, the neck collar display 50 may include additional textual data, for example patient information and/or special instructions for patient care. The neck collar 14 can also include some of the biometric sensors, such as example neck collar based sensors 53, rather than placing all sensors on the remote sensor member 12. The additional neck collar based sensors 53 may include, for example, electrocardiographic electrodes, a sudden infant death syndrome (SIDS) detector, a reflective SpO₂ sensor, a body temperature sensor, non-invasive pulse/pressure sensors, or so forth. A temperature sensor can be included in the neck collar so that the electronics are operational only when the temperature corresponds to body temperature (thus indicating that the collar is actually being worn by a patient). It is also contemplated to include a hearing aid in the remote sensor member, with power for driving the hearing aid supplied by the neck collar via the power pathway 32. Speakers can also be provided for converting remote electronic communications, such as music or instructions, into sound. In some embodiments, it is contemplated for the remote sensor member 12 to be detachable from the flexible tether 18, or detachable from the neck collar 14, and to be disposable. In such embodiments, each patient receives a new disposable sensor member. In some embodiments it is also contemplated for the neck collar 14 to be detachable from the electronics 16 and to be disposable. In such embodiments, each patient receives a reusable electronics attached to a disposable neck collar.

In another contemplated option, a light emitting device, such as a light emitting diode (LED) 54 is provided and configured to flash at a frequency corresponding with the heart rate derived from the signal acquired from the SpO₂ sensor 20. The corresponding flash rate can be equal to the heart rate (e.g., a heart rate of 80 bps producing 80 flashes per minute) or can be a fraction of the heart rate (e.g., the LED 54 may flash once for every five heart beats). While the illustrated biometric monitor 10 is intended for medical monitoring, it is also contemplated to design the biometric monitor 10 as a fashion accessory. For such an application, it is contemplated to have the flashing LED as the principal output. In such an application, the LED may be large, especially bright, or may comprise an array of LEDs, or may be configured to have different LEDs light at different heart rates (for example, flashing yellow LEDs at normal heart rates and red LEDs at elevated heart rates to indicate increased excitement). Such fashion devices are expected to

be suitable for use in dance clubs or other fashionable settings, or for general wear at work, school, or recreation.

The LED 54 can be located instead or additionally on the remote ear-based sensor member 12. In some embodiments, the remote sensor member includes vital signs sensors such as pulse rate, SpO₂, blood pressure, or so forth, along with a battery or other power supply, and a digital processor for processing data from the sensors and for flashing or otherwise controlling one or more LEDs disposed on the ear-mounted sensor member. For example, the processor may cause the LED to flash or blink in correspondence with the heart rate, or to light or change color as one or more vital signs crosses a danger threshold. Such a device may be useful, for example, in triaging injured persons in a disaster situation.

FIGURE 1 shows in phantom an optional second remote ear-based sensor member 12' connected with the flexible tether 18 by a "Y" split. The optional second ear sensor member 12' can be used in conjunction with the ear sensor member 12 to provide both left and right ear sensor members 12, 12'. This arrangement can be used to provide redundancy in case a sensor in one of the ear sensor members fails. Additionally or alternatively, providing left and right ear sensor members can increase patient comfort by providing symmetry. In some embodiments, the left and right ear sensor members 12, 12' are used in conjunction with processing performed by the digital processor 40 to generate a differential signal based on left and right signals received from left and right biometric sensors disposed in the left and right ear sensor members 12, 12', respectively. Such a differential signal can be useful in electrocardiographic measurements, arterial blood pressure measurements, and so forth. Alternatively to the "Y" split, the tether can include two separate tethers so that the second ear sensor member 12' can be attached directly to the collar 64 or electronics box 16 at a separate location.

Tests of various neck collars for use in the biometric monitor have shown that design of the neck collar can substantially impact patient comfort and mobility. It has been found that providing an open front portion 60 is advantageous both in terms of ease of application and patient comfort and to provide a gap for oxygen tubes and so forth. It has been found that a relatively large opening 60 is suitable. For example, having the neck collar 14 extend greater than 180° and less than about 200° around the neck provides sufficient retention of the neck collar 14 without pinching the front of the patient's throat.

In some embodiments, the neck collar **14** extends greater than about 90° and less than about 330° around the neck, or more preferably about 135° and less than about 270° around the neck, or most preferably about 180° and less than about 200° around the neck. Additionally, it has been found that suppressing rotation of the neck collar **14** around the neck is advantageous to promoting patient comfort. Toward this end, the neck collar **14** includes a central metal portion **62** and polymer-coated, e.g., PlatSil®-coated end portions **64**, **66** that cling to the neck to suppress rotation. Additionally, providing an adjustable collar size is advantageous to promoting comfort. Toward this end, the neck collar **14** includes a post-and-holes system with holes **68** for adjusting the position of connection of the PlatSil® polymer-coated end portions **64**, **66** to the central metal portion **62**.

With reference to FIGURES 3-9, other neck collar designs have been found to enhance patient comfort. FIGURE 3 shows a biometric monitor **110** with a neck collar **114** that includes slidably adjustable portions **164**, **166** to provide a continuous collar size adjustment. The biometric monitor **110** also includes a mechanical stopper **56'** in place of the earlobe clip **56** of the biometric monitor **10** of FIGURE 1 to stabilize the flexible tether **18** and preclude accidental over-insertion of the ear-based remote sensor member **12** into the ear canal. FIGURE 4 shows a minimum collar size arrangement **114_{min}** and a maximum collar size arrangement **114_{max}** of the neck collar **114**.

FIGURES 5-7 show another suitable neck collar **214** that is similar to the neck collar **14** except that the discrete post-and-holes collar size adjustment is replaced by a sliding adjustment in which polymer-coated end portions **264**, **266** slidably adjust on a central metal portion **262**. FIGURE 5 shows the neck collar **214** adjusted to minimum collar size, while FIGURE 6 shows the neck collar **214** adjusted to maximum collar size. FIGURE 7 shows the neck collar **214** further including an optional cover **270** for covering the portion of the central metal region **262** of the neck collar **214** that is exposed by the sliding collar size adjustment. The cover **270** can enhance patient comfort, and optionally has a high-friction surface to further inhibit neck collar rotation.

FIGURE 8 shows another suitable neck collar **314**, which does not have an adjustable collar size, but which does include a slidable bracket **370** for slidably positioning and/or detaching the electronics module **16** anywhere along the collar **314**. It is also contemplated to include both an adjustable collar size and a slidably movable and/or detachable electronics module. Moreover, although not illustrated it is contemplated to

dispose the electronics on a flexible circuit board that is integrated into the neck collar, so that the separate electronics module 16 can be omitted. The electrical power source in such arrangements can be either a set of small batteries or a thin-film flexible battery. Such a distributed arrangement is expected to further enhance patient comfort.

5 FIGURE 9 shows another suitable neck collar 414 which includes a central metal portion 462 and polymer-coated end portions 464, 466 that cling to the neck to suppress rotation. In this embodiment the central metal portion 462 is deformable to fit the patient's neck. The electronics module 16 is suitably attached by the slidable bracket 370 of FIGURE 8, or by a fixed bracket. The central metal portion 462 acts as a custom-bendable
10 stiffener to enable the neck collar 414 to be deformed to comport with any of the illustrated embodiments or other related embodiments.

 With returning reference to FIGURE 1, in addition to patient comfort, it is advantageous to take measures to ensure that the biometric data are accurate. It has been found that certain measurements, such as the heart rate derived from the sensor signal of
15 the SpO₂ 20, are sensitive to head movement. Including the motion sensor 26 provides a mechanism for accounting for such motion-related error.

 With reference to FIGURE 10, a suitable method implemented by the digital processor 40 is described, which makes accounts for error in the heart rate derived from the sensor signal of the SpO₂ sensor 20 caused by head movement sensed by the motion sensor
20 26. A heart rate calculator algorithm 500 is performed to derive the heart rate from the SpO₂ sensor signal. Based on the signal produced by the motion sensor 26, a decision block 502 determines whether the derived heart rate is reliable. For example, the derived heart rate may be deemed reliable if the absolute detected motion is less than a threshold value, and may be deemed unreliable if the absolute detected motion exceeds the threshold
25 value. Alternatively, the motion sensor signal may be used only when the derived SpO₂ sensor signal quality is below a given threshold. If the derived heart rate is deemed to be reliable, then the newly derived heart rate reading is stored 504 in the data storage 46; otherwise, it is not stored. The display 50 then displays 506 the last stored heart rate reading. Since the storing operation 504 stores only reliable heart rate readings, this
30 displaying 506 displays only reliable heart rate readings, albeit possibly with some time lag involved if the most recent heart rate reading was deemed to be unreliable. Rather than discarding unreliable heart rate readings, it is also contemplated to perform a correction of

unreliable heart rate readings, for example using suitable filtering and utilizing signal quality measurements. Additionally, it is contemplated that the unreliable data will be stored and have value during product development and in research applications. With continuing reference to FIGURE 10, signals obtained from the motion sensor 26 may also
5 be utilized by decision block 503 to detect that a patient has fallen and call a fallen patient alarm 510.

With reference to FIGURE 11, signals obtained from the motion sensor 26 and position sensor 28 may be utilized to determine the position and ambulating activity (if any) of the patient. In example FIGURE 11, the output of the position sensor 28 is used by
10 a decision block 602 to determine whether the patient is sitting or standing. If the patient is sitting or standing, then an ambulating activity decision block 604 processes the output of the motion sensor 26 to determine whether the patient is walking 606 or sitting 608. Such ambulating activity, or lack thereof, is suitably logged into the data storage 46 by an activity logger 610. On the other hand, if the decision block 602 determines that the
15 patient is neither standing nor sitting, then the patient's position is optionally more precisely determined. For example, high-Fowler, mid-Fowler, low-Fowler, supine, and Trendelenberg decision blocks 612, 614, 616, 618, 620, respectively, suitably determine whether the patient is in the high-Fowler position 622, mid-Fowler position 624, low-Fowler position 626, supine position 628, or Trendelenberg position 630, respectively.
20 A position logger 632 suitably logs the position of the patient into the data storage 46. The ambulating activity and position logging provides valuable feedback about patient positions and physical activity to the care providers. This information is optionally used to assist with correlating specific physiological alarms with patient activity as well as to determine the well-being of the patient and assessing discharge possibilities. The body
25 position signal information is optionally also utilized by a parameter correction 634 to automatically correct parameter calculations. For example, the noninvasive arterial blood pressure parameter can automatically correct itself by knowing whether the patient is sitting upright, sitting in one of the Fowler positions, or is lying in a supine position.

The invention has been described with reference to the preferred embodiments.
30 Obviously, modifications and alterations will occur to others upon reading and understanding the preceding detailed description. It is intended that the invention be

construed as including all such modifications and alterations insofar as they come within the scope of the appended claims or the equivalents thereof.

CLAIMS

Having described the preferred embodiments, the invention is now claimed to be:

1. A biometric monitor comprising:
 - at least one remote sensor member (12, 12') including one or more biometric sensors (20, 22, 24, 25) configured for operative coupling with a patient;
 - a neck collar (14, 114, 214, 314, 414) including electronics (36, 40, 42, 44, 46, 48) for operating with the remote sensor member, the remote sensor member being separate from and not disposed on the neck collar, the neck collar optionally also including one or more additional biometric sensors (53) disposed with the neck collar; and
 - a communication link (18) operatively connecting the remote sensor member and the electronics of the neck collar.

2. The biometric monitor as set forth in claim 1, wherein the at least one remote sensor member (12, 12') includes an ear sensor member configured to couple with a patient's ear, the ear sensor member or neck collar (14, 114, 214, 314, 414) including at least a motion sensor (26) configured to sense head movement.

3. The biometric monitor as set forth in claim 2, wherein the one or more biometric sensors (20, 22, 24, 25, 53) includes an SpO₂ sensor (20), and the electronics (36, 40, 42, 44, 46, 48) of the neck collar (14, 114, 214, 314, 414) are configured to derive a heart rate from a signal acquired from the SpO₂ sensor including accounting for error in the heart rate caused by head movement sensed by the motion sensor (26).

4. The biometric monitor as set forth in claim 3, wherein the electronics (36, 40, 42, 44, 46, 48) of the neck collar (14, 114, 214, 314, 414) are configured to account for error in heart rate by correcting heart rate information derived from the signal acquired by the SpO₂ sensor (20, 53) during head movement sensed by the motion sensor (26).

5. The biometric monitor as set forth in claim 3, wherein the neck collar (14, 114, 214, 314, 414) further includes:

a light emitting device (54), the electronics (36, 40, 42, 44, 46, 48) being configured to operate the light emitting device in response to the signal acquired from one or more biometric sensors (20, 22, 24, 25, 53).

6. The biometric monitor as set forth in claim 2, wherein the motion sensor (26) includes one or more accelerometers.

7. The biometric monitor as set forth in claim 2, wherein the motion sensor (26) and electronics (36, 40, 42, 44, 46, 48) is capable of detecting that the patient has fallen and annunciates a fallen patient alarm.

8. The biometric monitor as set forth in claim 1, wherein the at least one remote sensor member (12, 12') includes an ear sensor member configured to couple with a patient's ear, the ear sensor member or neck collar (14, 114, 214, 314, 414) including at least a body position sensor (28) and electronics (36, 40, 42, 44, 46, 48) that is capable of detecting that the patient is sitting/standing upright, sitting in a Fowler position, or lying in a supine position.

9. The biometric monitor as set forth in claim 8, wherein the position sensor (28), and electronics (36, 40, 42, 44, 46, 48) is capable of determining body position and utilizing the determined body position to automatically correct a biometric parameter for body position.

10. The biometric monitor as set forth in claim 8, wherein the motion sensor (26), the position sensor (28), and electronics (36, 40, 42, 44, 46, 48) are configured to detect and log patient activity and body position.

11. The biometric monitor as set forth in claim 1, wherein the communication link (18) includes:

a flexible tether (18) connecting the at least one remote sensor member (12, 12') and the neck collar (14, 114, 214, 314, 414), the flexible tether including a data communication pathway (34) conveying sensor data from at least the one or more

biometric sensors (20, 22, 24, 25) of the at least one remote sensor member to the electronics (36, 40, 42, 44, 46, 48) of the neck collar.

12. The biometric monitor as set forth in claim 11, wherein the at least one remote sensor member (12, 12') includes an ear sensor member configured to couple with a patient's ear preferably configured to be mounted within the patient's ear canal.

13. The biometric monitor as set forth in claim 11, wherein the at least one remote sensor member (12, 12') does not include an electrical power source, and the neck collar (14, 114, 214, 314, 414) further includes:

an electrical power source (30) disposed on or in the neck collar, the flexible tether (18) connecting the at least one remote sensor member and the neck collar further including a power pathway (32) conveying electrical power from the electrical power source of the neck collar to the at least one remote sensor member to electrically power at least one biometric sensor (20, 22, 24, 25) of the remote sensor member.

14. The biometric monitor as set forth in claim 11, wherein the sensor data is conveyed along the data communication pathway (34) as one or more analog electrical sensor signals, and the electronics (36, 40, 42, 44, 46, 48) of the neck collar (14, 114, 214, 314, 414) include:

one or more analog-to-digital converters (36) that receive the one or more analog electrical sensor signals and convert said one or more analog electrical sensor signals to digital electrical sensor signal samples.

15. The biometric monitor as set forth in claim 1, wherein the at least one remote sensor member (12, 12') includes a battery for electrically powering at least the one or more biometric sensors (20, 22, 24, 25) of the remote sensor member.

16. The biometric monitor as set forth in claim 1, wherein the electronics (36, 40, 42, 44, 46, 48) of the neck collar (14, 114, 214, 314, 414) include:

a data storage (46) storing sensor signals received from the one or more biometric sensors (20, 22, 24, 25, 53) as time-stamped sample values; and

a wireless receiver, transmitter, or transceiver (48) configured to perform at least one of (i) off-loading content of the data storage from the biometric monitor (10) and (ii) receiving configuration information for configuring the biometric monitor (10).

17. The biometric monitor as set forth in claim 1, wherein the neck collar (14, 114, 214, 314, 414) further includes at least one of:

an alarm (52), the electronics (36, 40, 42, 44, 46, 48) of the neck collar being configured to activate the alarm responsive to a signal or signals from one or more of the biometric sensors (20, 22, 24, 25, 53) satisfying an alarm criterion; and

a display (50) arranged on the neck collar to be readable with the neck collar installed on a neck, the electronics (36, 40, 42, 44, 46, 48) being configured to operate the display based on at least one sensor signal acquired from the one or more biometric sensors (20, 22, 24, 25, 53).

18. The biometric monitor as set forth in claim 1, wherein the electronics (36, 40, 42, 44, 46, 48, 53) are one of (i) disposed in an electronics module (16) attached to the neck collar (14, 114, 214, 314, 414) and (ii) disposed on a flexible circuit board integrated into the neck collar.

19. The biometric monitor as set forth in claim 1, wherein the neck collar (14, 114, 214, 314, 414) is at least one of adjustable in size, configured to suppress rotation of the neck collar around the neck, open in a front portion (60), custom bendable, and coated at least in part with a coating that resists both sticking to the neck and sliding on the neck, and the remote sensor member (12, 12') operatively couples with the patient at one of: inside the ear canal, inside the concha of the outer ear, the outer ear or earlobe, the forehead, the nose, the cheek, the tongue, the wrist, the arm, the belly-button or stomach, the ankle.

20. The biometric monitor as set forth in claim 1, wherein the neck collar (14, 114, 214, 314, 414) extends greater than about 90° and less than about 330° around the neck, or more preferably about 135° and less than about 270° around the neck, or most preferably about 180° and less than about 200° around the neck.

21. A biometric monitor comprising:

a sensor member (12, 12') including (i) one or more biometric sensors (20, 22, 24, 25) configured to couple with a patient at a coupling point, and (ii) a motion sensor (26) disposed with the one or more biometric sensors to sense movement at the coupling point; and

electronics (36, 40, 42, 44, 46, 48) configured to account for error in a signal produced by the one or more biometric sensors due to movement sensed by the motion sensor.

22. The biometric monitor as set forth in claim 21, further comprising:

a neck collar (14, 114, 214, 314, 414) supporting the electronics (36, 40, 42, 44, 46, 48), the sensor member (12, 12') being remote from the neck; and

a tether (18) operatively connecting the remote sensor member and the neck collar.

23. A biometric monitor comprising:

one or more vital signs sensors (20, 22, 24, 25, 53) configured for operative coupling with a user;

a light emitter (54); and

control circuitry (40, 42) controlling blinking of the light emitter in accordance with the sensed vital signs.

24. The biometric monitor as set forth in claim 23, wherein the control circuitry (40, 42) changes a color of the light emitted by the light emitter (54) responsive to the sensed vital signs crossing a selected threshold.

25. The biometric monitor as set forth in claim 23, wherein the sensed vital sign that controls the blinking light is at least one of: pulse, blood oxygen, respiration, temperature.

26. The biometric monitor as set forth in claim 23, wherein the location of operative coupling is one of: inside the ear canal, inside the concha of the outer ear, the outer ear or earlobe, the forehead, the nose, the cheek, the tongue, the neck, the wrist, the arm, the belly-button or stomach, the ankle.

27. The biometric monitor as set forth in claim 23, wherein the blinking of the light emitter (23) corresponds with a sensed heart rate.

28. The biometric monitor as set forth in claim 1, wherein the communications link is one of: unshielded single or multi-conductor wire, shielded single or multi-conductor wire, wireless electromagnetic transmissions, one or more fiber optics.

1 / 6

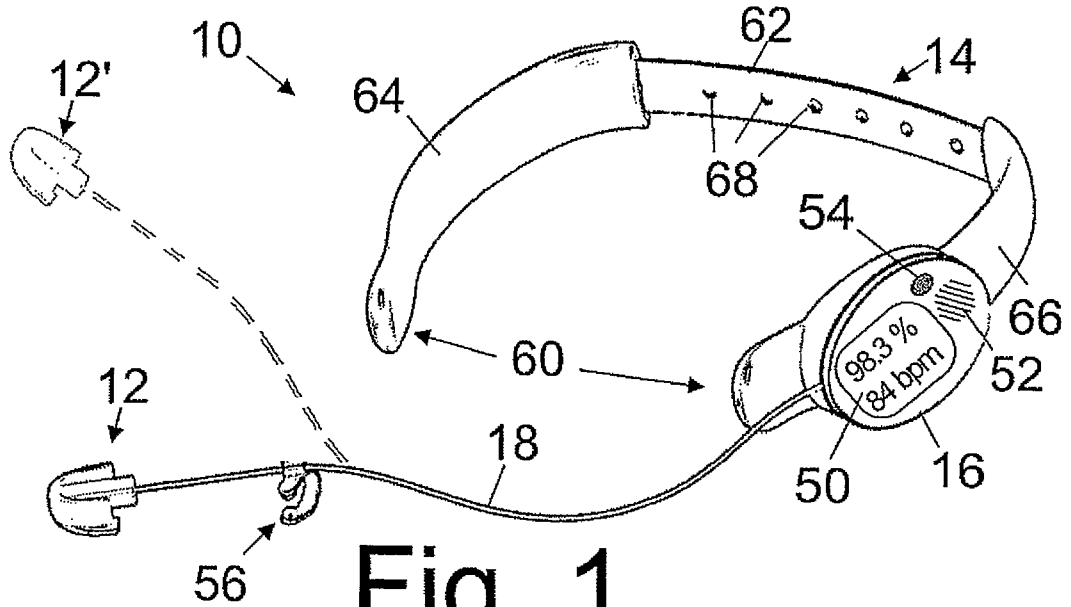


Fig. 1

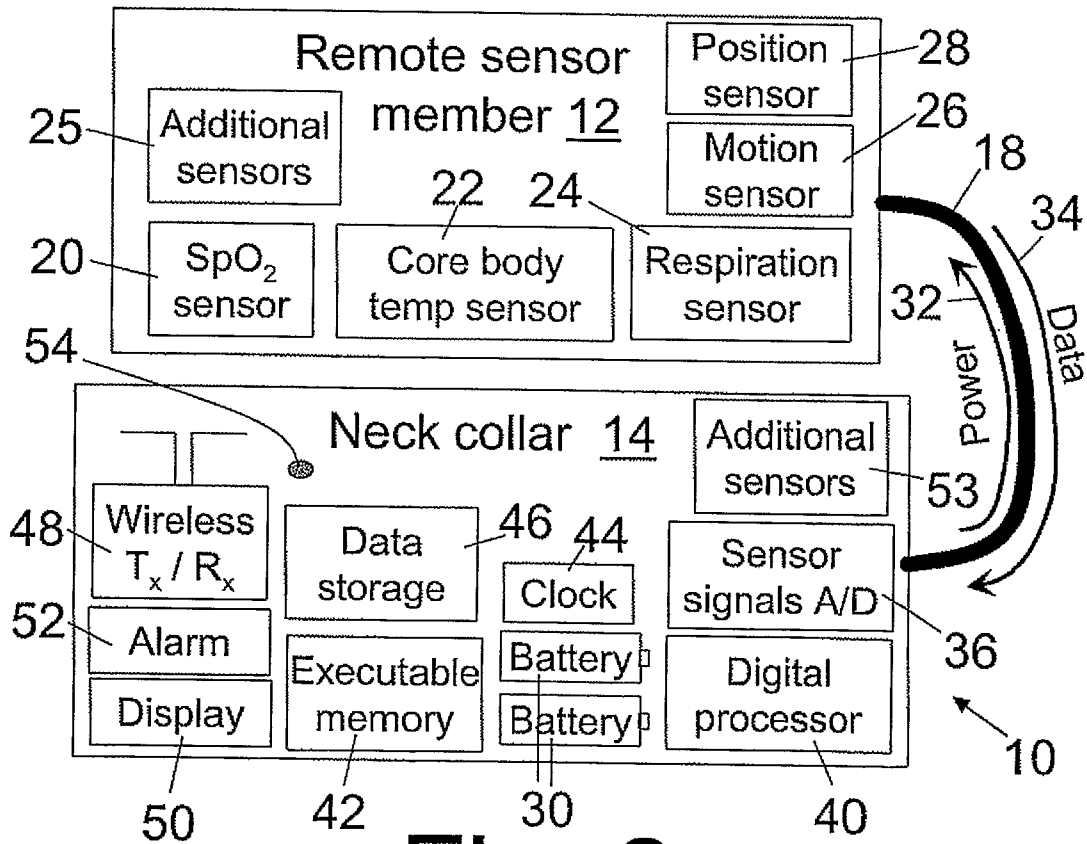


Fig. 2

2 / 6

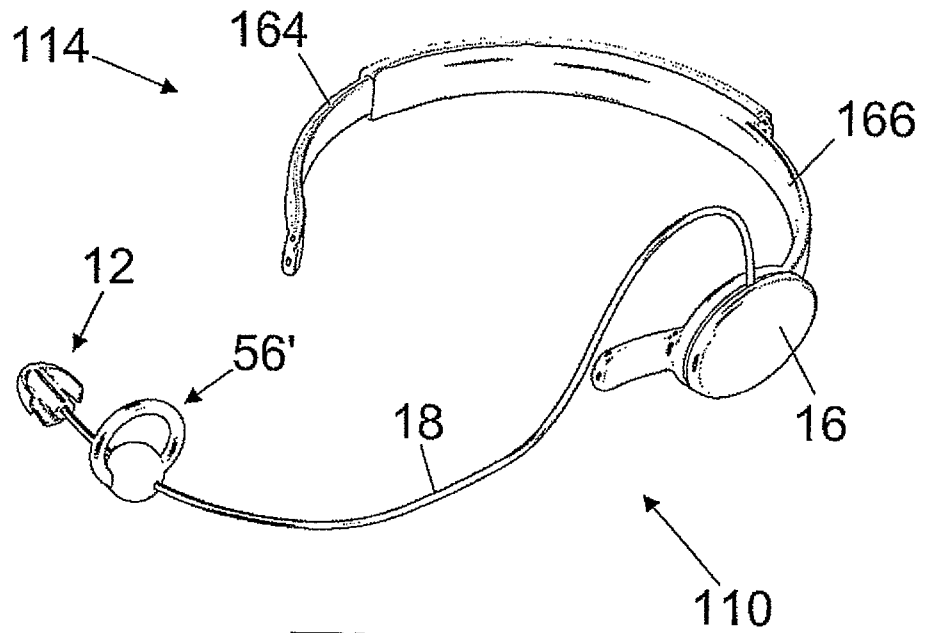


Fig. 3

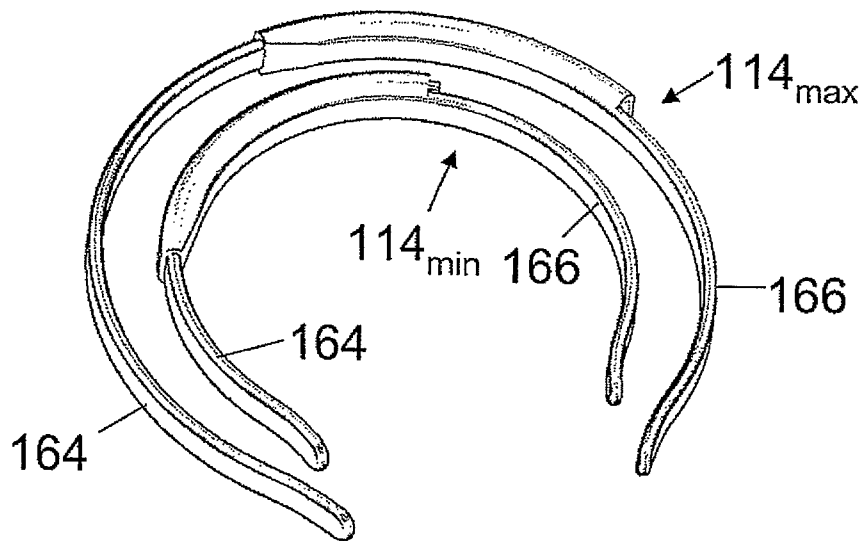


Fig. 4

3 / 6

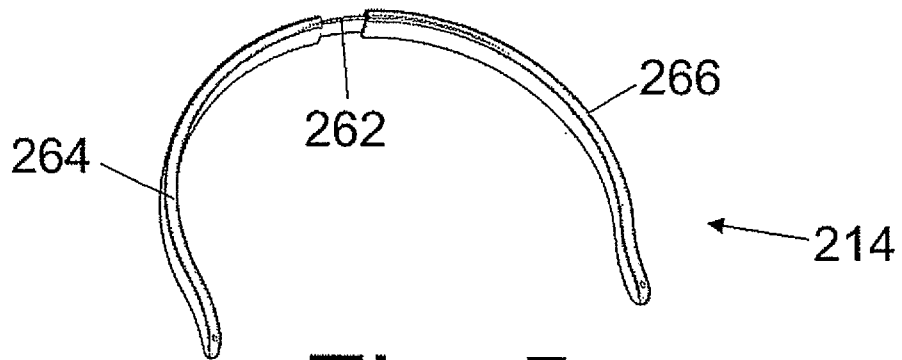


Fig. 5

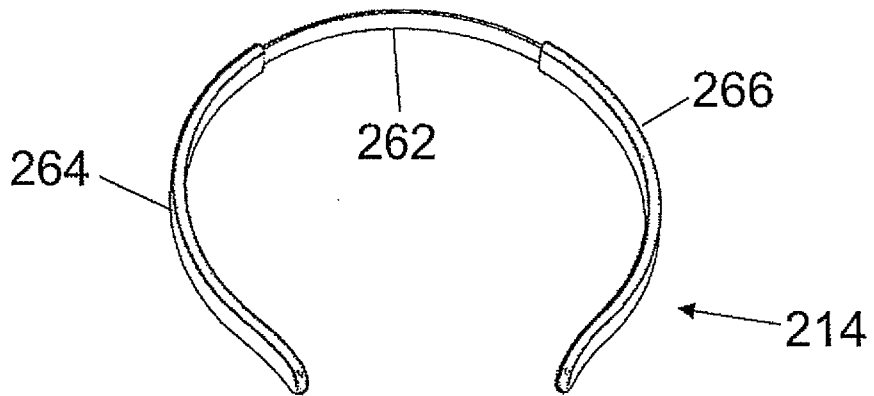


Fig. 6

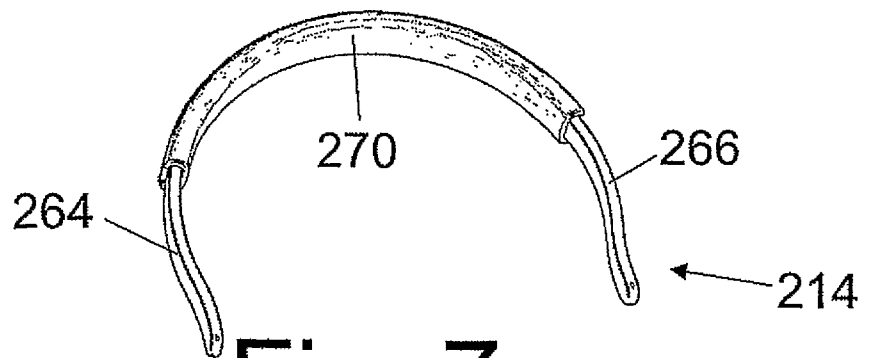


Fig. 7

4/6

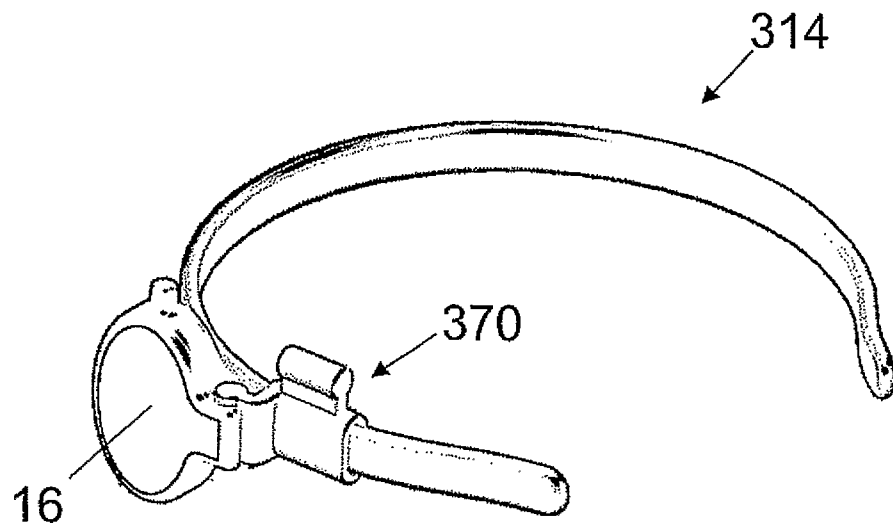


Fig. 8

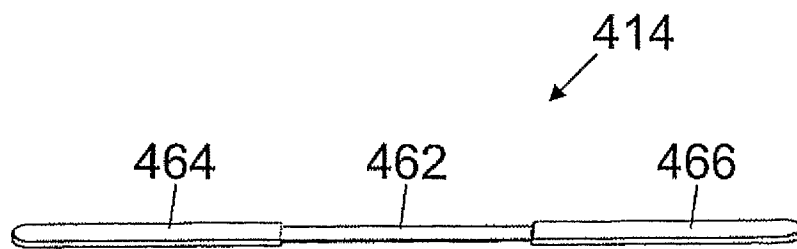


Fig. 9

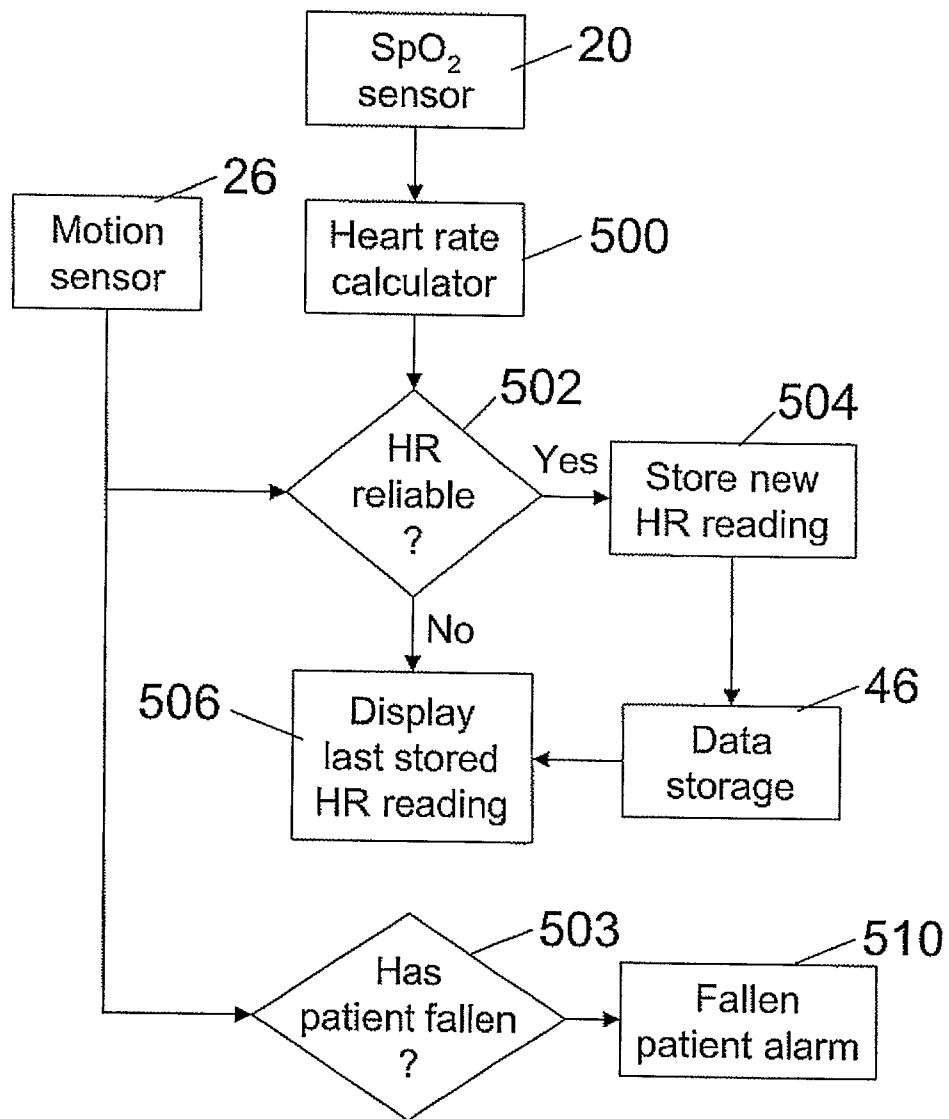


Fig. 10

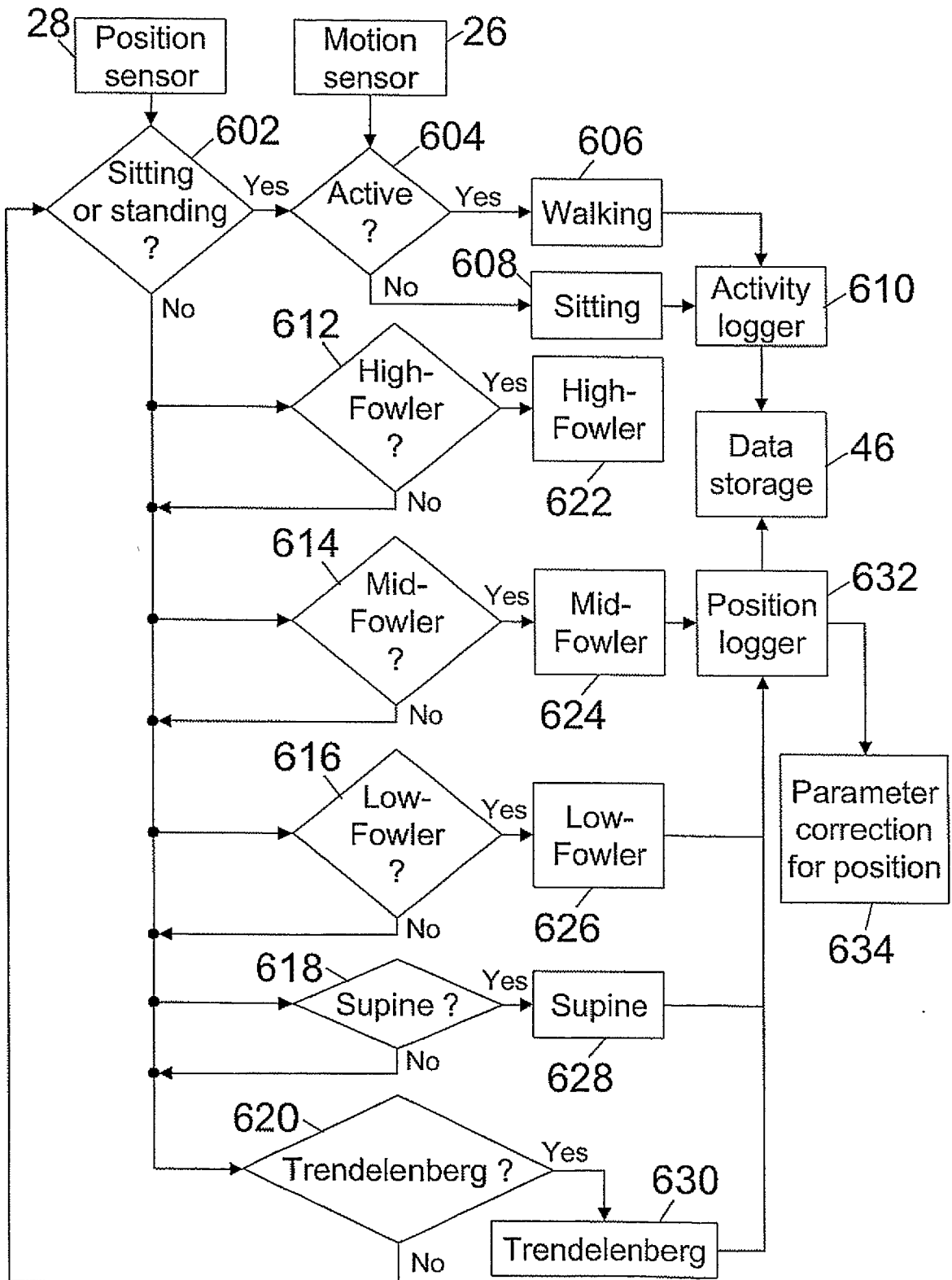


Fig. 11

专利名称(译)	带有电子设备的生物识别监视器，配置在颈圈上或颈圈中		
公开(公告)号	EP1991114A2	公开(公告)日	2008-11-19
申请号	EP2007756662	申请日	2007-02-06
[标]申请(专利权)人(译)	皇家飞利浦电子股份有限公司		
申请(专利权)人(译)	皇家飞利浦电子N.V.		
当前申请(专利权)人(译)	皇家飞利浦N.V.		
[标]发明人	MORONEY RICHARD M III NIELSEN LARRY KAVANAGH SUZANNE M AARTS RONALD M DE KOK MARGREET		
发明人	MORONEY, RICHARD, M., III. NIELSEN, LARRY KAVANAGH, SUZANNE, M. AARTS, RONALD, M. DE KOK, MARGREET		
IPC分类号	A61B5/00 A61B5/024 A61B5/11		
CPC分类号	A61B5/1117 A61B5/002 A61B5/02438 A61B5/68 A61B5/6816 A61B5/6817 A61B5/6819 A61B5/682 A61B5/6822 A61B5/6824 A61B5/6829 A61B5/721 A61B5/7445 A61B2560/0214 A61B2562/0219 A61B2562/028 G16H40/63		
优先权	60/777503 2006-02-28 US		
其他公开文献	EP1991114B1		
外部链接	Espacenet		

摘要(译)

公开了一种高度便携的生物识别监视器。至少一个远程传感器构件 (12,12') 包括一个或多个生物识别传感器 (20,22,24,25) , 其被配置用于与患者可操作地耦合。颈圈 (14,114,214,314,414) 包括用于操作至少一个远程传感器构件的电子器件 (36,40,42,44,46,48) 。至少一个远程传感器构件与颈圈分开并且不设置在颈圈上。可选地, 套环还包括一个或多个生物传感器 (53) 。通信链路 (18) 可操作地连接远程传感器构件和颈圈 (14) 的电子器件。运动传感器 (26) 和位置传感器 (28) 可以与一个或多个生物传感器一起设置以感测运动和位置, 并且电子设备 (36,40,42,44,46,48) 被配置为解决错误。由一个或多个生物传感器产生的信号由于运动传感器感测到的运动或由位置传感器检测到的位置。电子设备 (36,40,42,44,46,48) 可以记录患者活动和身体位置。