

(19) World Intellectual Property Organization
International Bureau



(43) International Publication Date
7 September 2001 (07.09.2001)

PCT

(10) International Publication Number
WO 01/64101 A1

- (51) International Patent Classification⁷: **A61B 5/02**
- (21) International Application Number: PCT/IL01/00199
- (22) International Filing Date: 1 March 2001 (01.03.2001)
- (25) Filing Language: English
- (26) Publication Language: English
- (30) Priority Data:
60/186,358 2 March 2000 (02.03.2000) US
60/212,648 19 June 2000 (19.06.2000) US
60/240,079 16 October 2000 (16.10.2000) US
- (71) Applicant (for all designated States except US): **ITAMAR MEDICAL LTD.** [IL/IL]; Industrial Park, Ha'eshel Street 2, 38900 Caesarea (IL).
- (72) Inventors; and
- (75) Inventors/Applicants (for US only): **LAVIE, Peretz** [IL/IL]; Denya, Costa Rica Street 4, 34981 Haifa (IL). **SCHNALL, Robert, P.** [IL/IL]; Hadafna Street 5, 27201 Kiryat Bialik (IL). **SHEFFY, Jacob** [IL/IL]; Alexander Yanai Street 10, 62382 Tel Aviv (IL).
- (74) Agent: **G. E. EHRLICH (1995) LTD.**; Bezalel Street 28, 52521 Ramat Gan (IL).
- (81) Designated States (*national*): AE, AG, AL, AM, AT, AU, AZ, BA, BB, BG, BR, BY, BZ, CA, CH, CN, CO, CR, CU, CZ, DE, DK, DM, DZ, EE, ES, FI, GB, GD, GE, GH, GM, HR, HU, ID, IL, IN, IS, JP, KE, KG, KP, KR, KZ, LC, LK, LR, LS, LT, LU, LV, MA, MD, MG, MK, MN, MW, MX, MZ, NO, NZ, PL, PT, RO, RU, SD, SE, SG, SI, SK, SL, TJ, TM, TR, TT, TZ, UA, UG, US, UZ, VN, YU, ZA, ZW.
- (84) Designated States (*regional*): ARIPO patent (GH, GM, KE, LS, MW, MZ, SD, SL, SZ, TZ, UG, ZW), Eurasian patent (AM, AZ, BY, KG, KZ, MD, RU, TJ, TM), European patent (AT, BE, CH, CY, DE, DK, ES, FI, FR, GB, GR, IE, IT, LU, MC, NL, PT, SE, TR), OAPI patent (BF, BJ, CF, CG, CI, CM, GA, GN, GW, ML, MR, NE, SN, TD, TG).
- Published:**
— with international search report
— before the expiration of the time limit for amending the claims and to be republished in the event of receipt of amendments
- For two-letter codes and other abbreviations, refer to the "Guidance Notes on Codes and Abbreviations" appearing at the beginning of each regular issue of the PCT Gazette.*



WO 01/64101 A1

(54) Title: METHOD AND APPARATUS FOR THE NON-INVASIVE DETECTION OF PARTICULAR SLEEP-STATE CONDITIONS BY MONITORING THE PERIPHERAL VASCULAR SYSTEM

(57) Abstract: A method and apparatus for monitoring an individual for the occurrence of a particular condition during the sleep state of the individual, by applying and external probe (2) to an external surface at a peripheral location on the individual's body, for monitoring the peripheral vascular bed volume of the individual at the peripheral body location and determining the sleep state condition of the individual according to the output of the probe (2). Examples of different sleep state conditions detected in accordance with the described invention include: arousals during the sleep state, periodic legs movement syndrome, apneas, hypopneas, UARS events, a Cheynes-Stokes breathing pattern, and rapid eye movement (REM) stage sleep.

**METHOD AND APPARATUS FOR THE NON-INVASIVE DETECTION OF
PARTICULAR SLEEP-STATE CONDITIONS BY MONITORING THE
PERIPHERAL VASCULAR SYSTEM
RELATED APPLICATIONS**

5 This application is related to, and claims the priority dates of US Provisional Application 60/186,358 filed March 2, 2000, and US Provisional Application 60/240,079 filed October 16, 2000, the descriptions of which are both incorporated herein by reference.

FIELD AND BACKGROUND OF THE INVENTION

10 The present invention relates to a method and apparatus for the non-invasive detection of certain medical conditions, particularly certain sleep-state conditions, in an individual by monitoring the peripheral vascular system of the individual.

 PCT Applications No. PCT/IL97/00249 published February 5, 1998 (International Publication No. WO 98/04182); No. PCT/IL99/00292 published
15 December 16, 1999 (WO 99/63884), No. PCT/IL00/00307 published December 14, 2000 (International Publication No. WO 00/74551), No. PCT/IL00/00403 published January 18, 2001 (WO 01/03569), all of which are hereby incorporated by reference as if fully set forth herein, describe non-invasive devices for measuring blood
20 pressure and for detecting various medical conditions, including: myocardial ischemia, certain sleep state conditions, endothelial dysfunction (ED), and stress-induced myocardial ischemia. In the preferred embodiments described in those applications, the described non-invasive devices used volume-measuring sensors and optical sensors for measuring changes in the peripheral arterial bed volume of the individual, which changes were translated to changes in the peripheral
25 arterial tone.

 The present application is directed to detecting certain sleep-state conditions, particularly sleep disordered breathing in an individual.

 The broad area of sleep disordered breathing encompasses a number of recognized abnormal conditions. including: the obstructive and central sleep apnea
30 syndrome, which results in complete cessations of breathing that occur repeatedly

during sleep; obstructive hypopneas, which results in partial upper airway obstruction and reduced ventilation; and the upper airway resistance syndrome (UARS), which results in subtle respiratory changes even though the airflow may appear to be normal. All the foregoing conditions produce frequent awakenings and sleep fragmentation which result in impaired sleep quality and daytime functioning.

Even with the comprehensive battery of measurements used in laboratory based polysomnographic evaluations, the diagnosis of UARS is extremely problematical due to the difficulty in visibly scoring the subtle respiratory changes. [Guilleminault C, Stoohs R, Clark A, Cetel M and Maistros P, "A Cause of Excessive Daytime Sleepiness. The Upper Airway Resistance Syndrome", Chest 104:781-787 (1993)]. A proper diagnosis of this syndrome necessitates the insertion of an esophageal balloon to measure the patient's intra-thoracic pressure. This technique causes great inconvenience and is not well tolerated.

A possible measurable parameter for aiding in the diagnosis of UARS may be the occurrence of frequent cortical or autonomic arousals during sleep. This may be marked by bursts of alpha electro-encephalographic (EEG) activity which signify awakening, or by increased sympathetic activation. In many cases, however, there is only increased sympathetic activity with no evidence of cortical arousal in the EEG.

A simple and robust method and apparatus, capable of being used outside the confines of the sleep laboratory for monitoring the sleep state condition, and particularly for marking arousals, would be a very important diagnostic tool in the identification of what might otherwise be an unrecognizable disease state.

BRIEF SUMMARY OF THE PRESENT INVENTION

According to one aspect of the present invention, there is provided a method of monitoring an individual for the occurrence of a particular condition during the sleep state of the individual, comprising: applying an external probe to an external surface at a peripheral location on the individual's body, for monitoring the peripheral vascular bed volume of the individual at the peripheral body location; while the individual is in a sleep state, utilizing the probe to monitor changes in the peripheral vascular bed volume of the individual at the peripheral body location and

to produce an output corresponding thereto; and determining the sleep state condition of the individual according to the output of the external probe.

Preferably, the external probe used is one of the several non-invasive finger-probes described in the above-cited PCT applications for monitoring the peripheral vascular bed volume of the individual, and for translating the measurements to changes in peripheral arterial tone. Particularly described were volume-measuring probes and light-measuring probes applied to a finger (or toe) of the individual. Such probes were found to confer numerous advantages in monitoring the individual's vascular system for changes in the peripheral arterial bed volume, particularly in the following respects:

1) By applying near diastolic pressure over the surface of the finger, which is transmitted to the arteries within the finger, they reduce the transmural pressure within those arteries, thereby freeing the arterial walls of tension and increasing their compliance allowing them to move more freely;

2) By providing such pressure, they are able to prevent the pooling of venous blood in the measured part of the finger, thereby avoiding the occurrence of venous distention and possible reflex arterial constriction as a result of the venous distention;

3) By providing a contiguous buffer region proximal to the measurement site, they are able to reduce the effects of retrograde venous pressure perturbations and to extend the effective boundary of the pressure field in the measurement portion of the probe.

The foregoing features of the finger probes described in the above-cited patent applications, which are also present in the finger probes described below, have been found to enhance their performance for the many described uses of the probe. While such probes remain the preferred ones due to these advantageous characteristics, it will be appreciated that the invention described below can also be implemented by using other peripheral vascular bed volume monitoring devices for detecting the specific markers to be described below. Examples of other types of devices for monitoring the changes in the peripheral vascular bed volume include;

segmental plethysmographs, circumferential strain gage devices, optical plethysmographs, Doppler or laser Doppler sensors, isotope washout devices, thermal washout devices, electromagnetic devices, and any other devices which are affected by a change in the geometry of the finger (or other peripheral body part, e.g. toe, ear-lobe) in response to blood volume changes.

Examples of different sleep state conditions detected in accordance with the invention described below include: arousals during the sleep state, apneas, hypopneas, UARS events, a Cheynes-Stokes breathing pattern, periodic leg movements syndrome (PLMS) and rapid eye movement sleep state (REM).

According to another aspect of the present invention, there is provided apparatus for monitoring an individual to detect the occurrence of a particular condition during the sleep state of the individual, comprising: an external probe to be applied to an external surface at a peripheral location on the individual's body for monitoring the peripheral vascular bed volume of the individual at the peripheral body location; and a signaling device for producing a signal indicating the predetermined sleep state condition when a predetermined change in the output of the probe is detected.

According to further features in the described preferred embodiments, the apparatus may further include a sleep-wake detector for detecting the sleep/wake state of the individual; a pulse oximeter for monitoring the blood oxygen saturation level of the individual and which can be either added as a separate detector, or can be incorporated within the probe which detects the peripheral volume changes; an oral-nasal airflow sensor for monitoring the oral/nasal airflow of the individual; and/or an electrocardiographic (ECG) electrode depole for permitting aspects of the patients's ECG to be determined. Such detectors may produce outputs which may be used by the signaling device with the external probe output and/or with other sensors commonly included in polysomnographs, to determine the sleep state condition of the individual.

Further features and advantages of the invention will be apparent from the description below.

BRIEF DESCRIPTION OF THE DRAWINGS

The invention is herein described, by way of example only, with reference to the accompanying drawings, wherein:

Fig. 1 illustrates one form of apparatus, as described in the above-cited PCT applications, that may be used to implement the present invention as described below;

Fig. 2 illustrates another finger-probe, including an optical sensor, which may be used in the apparatus of Fig. 1;

Fig. 3 is a block diagram illustrating one form of overall system constructed in accordance with the present invention particularly useful for monitoring various conditions during the sleep state of the individual;

Fig. 4 is a block diagram illustrating the incorporation of a finger-probe in accordance with the present invention as one input in a known polysomnograph system;

Fig. 5 is illustrates the finger-probe output waveform of a sleeping individual compared to the individual's EEG waveform showing sleep arousals;

Fig. 6 illustrates the finger-probe output waveform of a sleeping individual compared to the individual's EEG spectrum, also showing sleep arousals;

Fig. 7 illustrates the finger-probe output waveform of a sleeping individual compared to the individual's breathing pattern showing Cheyne-Stokes breathing;

Figs. 8a and 8b illustrate the finger-probe output waveforms of a sleeping individual compared to other sensor waveforms of the individual showing both apnea events and sleep arousals;

Fig. 9 is a scattergraph showing how the finger-probe output can be used in the known Detrended Fluctuation Analysis (DFA) method for the detection of congestive heart failure (CHF); and

Fig. 10 is a scattergraph showing how the finger-probe output can be used in the known DFA method for the detection of rapid eye movement (REM) stage sleeping.

DESCRIPTION OF PREFERRED EMBODIMENTS

Fig. 1 illustrates apparatus corresponding to that described in the above-cited PCT applications including a finger probe, generally designated 2.

Finger-probe 2 comprises a thimble-shaped end cap 30 and a pressure cuff 40 connected to a pneumatic system, generally designated 80, which is in turn connected to a processing system, generally designated 90. The pneumatic system 80 includes a pressure source 10 connected to a pneumatic tubing system, generally designated 85. The tubing system includes tubes 7a and 44a, which deliver the pressure from the pressure source to the finger-probe 2, and electronic solenoid valves 12 and 46, which can be controlled by the processor 23 to be described later.

The pneumatic system 80 further includes a pressure transducer 13 for monitoring the pressure applied by source 10, and a differential pressure transducer 14 measuring the difference between the variable pressure in the finger-probe chambers and the constant pressure existing between valves 12 and 46. Optionally, the pneumatic tube 85 may be further provided with reservoirs 47, 48 and 49.

The processing system 90 includes an A/D converter 22, a processor 23, and a monitoring device, generally indicated as monitor 24 and alarm 25. The processing system is responsible for controlling the operation source 10 and solenoids of valves 12 and 46, and also processes the detected signals to provide a decipherable output.

In order to perform a diagnostic procedure, the valves 12 and 46 are first open and the chambers 5 and 43 of the finger-probe are evacuated to allow the patient to insert a finger into the probe. Then, the pressure is raised to a pressure which is sufficient to unload the arterial walls and to prevent venous pooling. The pressure applied by source 10 is measured by a pressure transducer 13 upstream of valves 12 and 46. In the preferred embodiment, the pressure in the pneumatic compartments is automatically raised to 70 mm Hg.

At this point, valves 12 and 46 are closed, so that the pressure in the right chamber of pressure differential transducer 14 is kept constant. On the other hand, the pressure on the left chamber of transducer 14 varies depending on the pressure inside chamber 5 of the finger-probe 2. Notably, for detection of peripheral vasoconstriction, no calibration of the inventive device is necessary, since the measurement is comparative with the patient's own baseline results observed during the test.

Changes in the volume of the subject's finger which are due to arterial blood pressure pulse waves produce an expansion or contraction of chamber 5, and a corresponding decrease or increase in the gas pressure within chamber 5. Chamber 5 is connected via its port 7 and tube 7a to the pneumatic tubing 85. However, since valve 5 12 is closed, the pressure changes affect only the left chamber of differential-pressure sensor 14. The differential pressure sensor 14 detects these pressure changes and provides an output corresponding to the pressure changes.

The A/D converter 22 shown in Fig. 1 receives the analog outputs of pressure transducers 13 and 14, and converts them into digital form before introducing them 10 into a CPU processor 23. The processor 23 processes the measured finger volume (or optical density) changes to produce output 24a of the volume measurements, and/or an output 24b of the changes in the volume measurements with respect to time. Either one or both measurements can be displayed on the monitor 24 as well as recorded in the memory.

15 If the displayed output 24 shows a change in the measured volume, indicating peripheral vasoconstriction, this will be immediately seen by the observer viewing monitor 24.

The peak to trough amplitude of the signal is generally proportional to the arterial pulsatile volume changes, and will decrease or attenuate upon peripheral 20 vasoconstriction. Therefore, when the system of Fig. 1 is used for detecting peripheral vasoconstriction, the observer would be interested in relative changes of the amplitude of the trough to peak values, as opposed to the absolute values of the pressure.

As previously described, it is preferable that the finger-probe include an annular pressure cuff 40 coaxial with and contiguous to the end cap 30, on the proximal 25 (heart) side of the device. The main purpose of the pressure cuff is to extend the boundary of the constant pressure field beyond the borders of the sensing probe, so as to avoid edge effects. Chamber 43 of the pressure cuff is also filled with a pressurized gas via a port 44; however, solenoid valve 46 isolates conduit 44 from transducer 14. Cuff 40 thus extends the static pressure field for a distance in the proximal (heart) 30 direction from the site of measurement of the finger volume changes accompanying

blood pressure waves. The annular pressure cuff 40 acts as a venous tourniquet which, together with the pressure field produced in the thimble-shaped end cap 30, prevents venous pooling in the distal end (particularly the most distal phalange) of the finger. It also substantially prevents uncontrolled venous back flow; and further, it partially
5 unloads the wall tension of, but does not occlude, the arteries in the distal end of the finger when the finger is at heart level. While the pressure in the pressure cuff may differ from that in the sensing chambers 35, 36, it should not exceed it.

Fig. 2 illustrates an apparatus also described in the above-cited PCT applications. It is similar to that of Fig. 1 except that changes in the optical density are
10 directly sensed and measured to provide a measurement of the changes in the finger accompanying the blood pressure waves. Except for the optical sensing elements the finger-probe illustrated in Fig. 2 is similarly constructed as described above with respect to Fig. 1. To facilitate understanding, the finger-probe in Fig. 2 is generally designated
15 102; and its elements generally corresponding to those described above in Fig. 1, particularly elements 3, 3a, 3b, 4, 4b, 5, 6 and 7, are identified by the same reference numerals except increased by "100", i.e., as elements 103, 103a, 103b, 104, 104b, 105, 106 and 107, respectively. The optical elements in Fig. 2 include a light source 110, and a light receiver 111.

Thus, in the apparatus illustrated in Fig. 2, chamber 105 is pressurized to a
20 fixed predetermined value, as described above with respect to Fig. 1. In this case, however, the tubular diaphragm 104 defining chamber 105 is provided on one side with the light source 110, and on the opposite side with the light receiver 111, such that pulsatile blood volume changes in the finger received within the tubular diaphragm 104 will be detected as changes in optical density by the light receiver 111. This information
25 is fed via conductors 112 to an amplifier circuit 113 where it is amplified and filtered, and then fed to the A/D converter (22, Fig. 1) for processing by the processor (23, Fig. 1) as described above.

In the arrangement illustrated in Fig. 2, the measurement site, namely the
30 location of the light source 110 and light receiver 111, is considerably inward of the open end of the rigid casing 103 of the probe 102 which applies the static pressure field

uniformly around the outer end of the finger, and therefore the annular pressure cuff (40, Fig. 1) need not be included. However, if it is desired to locate the light source and light collector closer to the open end of the rigid casing of the probe 102, the annular pressure cuff (corresponding to pressure cuff 40 in Fig. 1), may also be used in the system illustrated in Fig. 2.

Further details of such apparatus and various modifications thereof, as well as methods of using the apparatus for diagnosing various medical conditions, are described in the above-cited PCT Applications incorporated herein by reference.

While the descriptions in the above-cited PCT applications focus mainly on measuring blood pressure and detecting myocardial ischemia, the method and apparatus of the present invention are directed primarily to monitoring various sleeping conditions of a subject, particularly the rapid eye movement (REM) sleep stage, sleep arousals, sleep apnea, sleep hypopnea, upper airways resistance, periodic leg movement syndrome, Cheyne-Stokes breathing, and congestive heart failure.

Sleep staging, in particular the determination of REM (Rapid Eye Movement) stage sleep, is a vital tool for diagnosing sleep disorders and numerous other conditions. During REM sleep, altered control of breathing occurs with greatly reduced chemosensitivity resulting in highly irregular breathing patterns and the greatest declines in blood oxygen saturation.

Changes in REM latency have been reported in a plethora of affective illnesses including endogenous depression, schizophrenia, anxiety disorders, obsessive-compulsive disorders, eating disorders as well as in narcolepsy, alcoholism, Alzheimer's disease and impotence. REM latency is important not only in the diagnosis of these conditions but also in therapy and follow up since it is a sensitive indicator of the patient's condition.

A robust association was found between REM stage sleep and the attenuation of the finger-probe output signal. This attenuation was of a substantial magnitude compared to the prior non REM period. Three representative examples showing the time-course of the probe-output signal and sleep hypnograms were shown in Fig. 21 of PCT/IL97/00249. It is important to note that the attenuation of

the finger-probe output signal amplitude was not triggered by REM sleep, but appeared to be related to an ongoing cycle that was synchronized with the sleep stages cycle in such a way that the nadirs of this cycle coincided with REM sleep.

Currently, REM stage sleep is identified by polysomnography, which
5 requires costly apparatus, considerable patient instrumentation and specialized staff. One simplified REM detector is the "night cap" disclosed in USA Patent No. 4,836,219 to Hobson et al. which relies on two channels of information to detect REM sleep; body movements and eye movements. However, this method requires substantial instrumentation which may be uncomfortable for the patient and detrimental to
10 sleep. Another patented device (USA Patent No. 5,280,791 to Lavie) employs a heart rate variability method. However, this method requires demanding signal analysis, and may not be as reliable as the method utilizing the output signal of the finger-probe.

REM detection utilizing the above-described probe could be an extremely
15 useful adjunct to existing ambulatory monitoring systems, since it yields important information with a minimum of patient instrumentation in a highly cost effective manner. It could be used to provide intensive, long term, follow up in the patient's own home, which would be a logistic impossibility in the sleep lab setting. The probe could be readily used in combination with oxygen saturation monitoring and ambulatory apnea
20 screening. It could eliminate the need for subjective operator evaluation of sleep studies and the dependency on the specialized and expensive instruments needed for laboratory based sleep staging, such as EEG, EOG and EMG measurements.

Fig. 3 illustrates an example of a set-up which may be used for performing
25 these tests. In this illustrated set-up, the finger-probe 202 (e.g., of the construction described above in Fig. 1 or Fig. 2) provides one input, via an analog-digital converter 203, to a processor 204. The processor 204 includes additional inputs from a pulse oximeter 205, which measures the oxygen saturation level of the blood; from an actigraph 206, which serves as a sleep-wake detector; and from a nasal-oral airflow sensor 207, such as a thermistor, which measures the nasal-oral air flow of

the sleeping patient; and from at least a single electrocardiograph electrode dipole for registering the patient's ECG.

The foregoing inputs are processed by processor 204, which produces outputs to a monitor 208, a signal and/or alarm unit 209, a storage device 210, a
5 post-processor device 211.

Fig. 4 illustrates another set-up including a conventional polysomnograph 300, which includes the output from the finger-probe 302 as one of the inputs, together with the other inputs 303 commonly provided in such apparatus.

During numerous highly controlled sleep studies in elite sleep laboratories,
10 it was also found that there was a highly robust association between the appearance of alpha wave encephalographic activity signifying awakening during sleep, and attenuation of the finger-probe signal. This attenuation was of a substantial magnitude and was tightly linked to the appearance of the alpha wave activity, with a consistent time delay between the two phenomena.

A representative example showing the time-course of the finger-probe
15 signal and the patient's EEG signal associated with such alpha wave activity is shown in Fig. 5 illustrating a compressed record of a series of K-alpha events. These are typical microarousals, each comprised of a K complex with a tail of alpha EEG activity. These events are the hallmark of the upper airway resistance syndrome
20 (UARS) and may therefore be used for detecting UARS.

It is important to note that the maximum attenuation of the finger-probe signal amplitude always occurred after the appearance of the alpha wave. The finger-probe signal may therefore also be used for detecting UARS.

The same strong temporal linkage is clearly seen in the spectrum of the
25 EEG signal which can also be considered as a marker of the alpha activity. This is shown in Fig. 6 wherein the upper waveform is the finger-probe output signal envelope, and the lower waveform is the EEG spectrum of the sleeping individual.

In addition to the highly consistent linkage between alpha activity and finger-probe output over time, it was found the attenuation of the finger-probe
30 output reached its nadir (trough) several milliseconds after the peak alpha activity

Thus, alpha activity leads the nadir attenuation. This delay has been consistently found in a large number of patients and normals and therefore can also be used as an indication of UARS.

5 An additional finding of diagnostic significance is that it is possible to distinguish between arousals related to the periodic leg movement syndrome (PLMS) and arousals related to disordered breathing events during sleep on the basis of the time interval between probe signal attenuation events. For example, the average time interval between probe signal attenuation events in PLMS is 24.8 seconds while respiratory related attenuation events related to hypopneas had a mean interval of
10 34.1 seconds. Based on the interval between attenuations it is possible to distinguish between the non-respiratory and respiratory related events with a very high degree of sensitivity of about 85%.

Brief arousal detection by the finger probe could be an extremely useful adjunct to existing ambulatory monitoring systems, since it yields important
15 information with a minimum of patient instrumentation in a highly cost effective manner. Furthermore, adding the finger-probe signal to existing sleep laboratory recordings can aid in the rapid identification of brief arousals. Such a probe could also be used to provide intensive, long term, follow up in the patient's own home, as well as a means for assessing treatment effectiveness, which would be a logistic
20 impossibility in the sleep lab setting.

Adding the probe to provide an input to the polysomnograph apparatus, as illustrated in Fig. 3 or 4, enables the probe to be readily used in combination with respiratory indices currently used for apnea screening, such as oro-nasal airflow and pulse oximetry. Such apparatus would better enable a differential diagnosis to be
25 made between arousals related to obstructive sleep disordered breathing, non-obstructive sleep disordered breathing disorders, or arousal from sleep such as those occurring in the periodic leg movement syndrome (PLMS). Generally speaking, such a probe would enable UARS, and the other respiratory and non-respiratory conditions which are associated with arousal, to be identifiable both under the sleep
30 laboratory environment, as well as under circumstances in which contemporary sleep

apnea ambulatory screening methods would be unable to detect the condition. Also, the conventional arousals scoring which is EEG based, is insensitive to non-cortical arousals and suffers from large inter and intra scorers variability. The analysis of the suggested add on signal to the polysomnography, can be readily done automatically
5 with no such variabilities and, as mentioned before, can add the detection of arousals having non-cortical indices.

In addition to the above described sleep related breathing disorders, there exists a different class of breathing disorders which are not obstructive in nature but which are in fact related to aberrant central nervous system control of breathing
10 during sleep. The phase relationship between the probe output and the alpha waves, as well as the phase relationship between the probe output and the variations in oxygen saturation, can provide important information about the type of the apnea as well as the associated hemodynamic changes.

For example a characteristic intermittent breathing pattern, known as
15 "Cheyne-Stokes breathing", occurs in patients suffering from advanced congestive heart failure. In this condition the patients breathing is remarkable in that it consists of alternating crescendo and decrescendo patterns of breathing. The existence of this breathing pattern can be detected by the described finger-probe since a remarkable concordance has been found to exist between the periodic breathing and
20 periodic changes in the amplitude of the finger-probe signal. An example of this is shown in Fig. 7.

It was also found that when the probe output signal, and the oxygen saturation level of the blood, are considered in this condition, the nadirs of the probe output signal coincide with nadirs of blood oxygen saturation levels in some
25 individuals, while it coincides with peak values in others. These differences may be related to cyclic activation of sympathetic nervous activity in response to the accumulating respiratory debt. The probe output signal begins to attenuate at the start of the respiratory crescendo phase in some cases, whereas in other cases, the probe output signal may only begin to increase in amplitude with the onset of the

crescendo breathing phase, possibly related to improving cardiac function with the improvement of ventilation.

The probe output signal has also been found to be a highly effective in detecting disordered breathing in sleep based on the circulatory responses to what is primarily a condition of disordered breathing. For example, it is known that apneas terminate in brief arousals, which are associated with tachycardia and elevated blood pressure suggestive of sympathetic activation (Morgan, Crabtree, Puleo. et al., 1996; Pitson and Stradling, 1998).

Thus, using the probe for monitoring the pulse wave in patients with full-blown sleep apnea syndrome revealed that terminations of the apneas are associated with marked attenuation of the pulse wave amplitude and usually with evidence of an increase in pulse rate. The attenuations coincided with the rebreathing phase, maintaining a constant phase relationship with the associated electroencephalographic waking activity. It was found that maximal vasoconstriction was delayed by approximately 7 seconds with respect to the first sign of arousal.

In about 10% of the patients with severe sleep apnea syndrome, using the finger-probe for monitoring the pulse wave during sleep revealed a different picture. In addition to the arousal-related attenuation in the probe output, in these patients the probe output was also profoundly attenuated during the initial stages of the apnea.

This is exemplified in Figs. 8a and 8b showing that each apnea was associated with two attenuations rather than with one: the first was associated with the onset of the apnea, and the second with the arousal response at the end of the apnea.

In Fig. 8a, the large arrows indicate periods of the probe signal attenuation associated with the apneic periods. The smaller arrows indicate attenuations in the probe amplitude associated with brief arousal which are also associated with renewal of airflow and increased pulse rate. This can be clearly seen in the ECG tracing in Fig. 8b where the distance between the individual ECG signals is noticeably smaller. Similar changes of the pulse rate are seen in the probe signal as well.

In Fig. 8b, the probe attenuation is observed to occur at the termination of apnea as well as during each of the three periods of apnea as in Fig. 8a. During one

such apnea, a clear reduction in the arterial blood pressure was observed (area marked in black).

It can clearly be seen that when the attenuation of the probe signal occurs during the brief arousal at the end of the apnea (grey areas), an increase in the pulse rate, and a large increase in blood pressure also occur. The attenuation of the probe signal at such times reflects increased vascular resistance, which is associated with the increased blood pressure.

It is possible to consider the relationship of blood pressure, vascular resistance and cardiac output as being respectively analogous to voltage, resistance and current in Ohm's equation, such that cardiac output is proportional to the ratio between blood pressure and vascular resistance. Thus the increased blood pressure and increased vascular resistance as depicted in the attenuation of the probe signal, could occur in the absence of a change in cardiac output.

In contrast to this situation, a decrease in the probe signal without increased blood pressure could indicate a reduction in cardiac output. A reduction in the probe signal associated with a reduction in blood pressure (as seen in Fig. 8b), would be reflective of an even more substantial decrease in cardiac output.

It is unlikely that the changes in probe amplitude would be related to thermoregulatory affects, or other local regulatory effects, since their duration and repetitive nature are matched to the apnea cycles. It is possible to use the time interval between the appearance of ECG features, such as the QRS complex or the R wave, and features of the pulse-wave such as the peak or start of the upstroke, as an index of pulse transit time (PTT) which is known to be a surrogate of blood pressure. By comparing the PTT during episodes of probe signal attenuation to the intervening periods, it will be possible to differentiate between attenuation episodes associated with increased blood pressure and those not associated with increased blood pressure.

Detrended Fluctuation Analysis (DFA) is a known method for characterizing beat-to-beat variability for ECG heart rate pulses (Peng C-K, Hausdorff JM, Goldberger AL. Fractal mechanisms in neural control: Human heartbeat and gait

dynamics in health and disease. In: Walleczek J, ed. *Nonlinear Dynamics, Self-Organization, and Biomedicine*. Cambridge: Cambridge University Press, 1999). The DFA method is described elsewhere (C.-K.Peng, S. V. Buldyrev, S. Havlin, M. Simons, H.E. Stanley, and A. L. Goldberger, *Phys. Rev. E* 49, 1685 (1994)). The alpha value provided by this method represents an index related to variability.

It has been shown that by applying the DFA method to the signal outputted by the finger-probe described above, both the variability in the beat-to-beat pulse wave amplitude, and the pulse period, can be used for the detection of CHF (using the scaling alpha exponent alpha, which is the result of the DFA method), and that the diagnostic performance can be improved when using both DFA results applied to both amplitude and period of the time series.

Fig. 9 is a scatter-graph showing alpha values of interbeat period (pulse rate PR) plotted against alpha values of amplitude for CHF patients (stars) and for normal subjects (circles). It can be seen that the separation of the CHF and normal populations is enhanced when both values are considered.

64 subjects (30 normals, 34 CHFs) participated in the study. The area under the curve values for receiver operating characteristics defining the sensitivity and specificity at a range working points of the method for detection of CHF patients are listed in Table 1 below. Also given are corresponding p values.

20

Table 1

Amp only	PR only	Both Amp & PR
0.93	0.89	0.94
p<0.001	p<0.001	pPR=0.155; pAmp=0.003

DFA has also previously been used for REM detection in ECG recording (Bunde A., Havlin S., Kantelhardt J.W., Penzel T., Peter J.-H. Peter, and Voigt K. Correlated and uncorrelated regions in heart-rate fluctuations during sleep, *Physical Rev Lett* 2000, Oct. 23;85(17) 3736-9).

25

It has been shown that by applying the DFA method to the signal outputted by the finger-probe, either the variability in the beat-to-beat pulse wave amplitude, or the pulse period, can be used for the detection of Rapid Eye Movement (REM) using the scaling exponent (alpha), which is the result of the DFA method. It has also been shown that diagnostic performance is improved when using the combined results of both DFA results from the probe output amplitude (alpha Amp) and period (alpha PR) time series.

25 subjects participated in the study. For each subject only the last REM and last NREM section (with at least 15 minutes) were analyzed.

The ROC area and the p-value for each test are listed in Table 2 below:

Table 2

Amp only	PR only	Both Amp & PR
0.89	0.90	0.94
p=0.001	p<0.001	PPR=.004; pAmp=.008

Fig. 10 is a scattergraph showing alphaPR plotted against alphaAmp for the N(non-REM) and O(REM) groups: It is clear that the combined use of both pulse rate alpha value and amplitude alpha values results in a better separation between the REM and non-REM sleep stages than was provided by either value alone.

As indicated earlier, the finger probes of Figs. 1 and 2, which measure changes in the peripheral arterial bed volume, translated into changes in the peripheral arterial tone, have been found to produce the best results in detecting the various sleep state conditions in accordance with the present invention. However, it will be appreciated that the detection of the various sleep state conditions described can also be effected by the use of other non-invasive probes which measure the peripheral vascular bed volume, particularly the peripheral arterial bed volume, of the individual, such as those tested earlier, and that many other variations, modifications and applications of the invention may be made.

WHAT IS CLAIMED IS:

1. A method of monitoring an individual for the occurrence of a particular sleep state condition of the individual, comprising:

applying an external probe to an external surface at a peripheral location on the individual's body, for monitoring the peripheral vascular bed volume of the individual at said peripheral body location;

while the individual is in a sleep state, utilizing said probe to monitor changes in the peripheral vascular bed volume of the individual at said peripheral body location and to produce an output corresponding thereto;

and determining the sleep state condition of the individual according to the output of said external probe.

2. The method according to Claim 1, wherein said particular sleep state condition is determined as occurring when a predetermined attenuation of the probe output is detected.

3. The method according to Claim 2, wherein changes in the individual's pulse rate and/or pulse amplitude are also monitored while the individual is in the sleep state, and such changes are used with said detected attenuations in determining the sleep state condition of the individual.

4. The method according to Claim 1, wherein a predetermined pressure field is applied to the extreme distal end of said peripheral body location so as to prevent the occurrence of venous pooling within and distal to said peripheral body location, and thereby to produce an output signal from the probe corresponding to changes in the peripheral arterial bed volume at said peripheral body location.

5. The method according to Claim 4, wherein said external probe measures changes in the peripheral arterial tone at said peripheral body location.

6. The method according to Claim 1, wherein said peripheral body location of the individual is a finger, toe or ear lobe of the individual.

7. The method according to Claim 1, wherein said external probe is a volume measuring device.

8. The method according to Claim 1, wherein said external probe is an optical measuring device.

9. The method according to Claim 1, wherein said particular condition is an arousal during the sleep state, and is indicated at least by a predetermined attenuation in the probe output.

10. The method according to Claim 9, wherein the time intervals between attenuations in the probe output are also used to determine the sleep state condition of the individual.

11. The method according to Claim 1, wherein said particular condition is an apnea event and is indicated at least by a predetermined attenuation in the probe output.

12. The method according to Claim 1, wherein said particular condition is a hypopnea event and is indicated at least by a predetermined attenuation in the probe output.

13. The method according to Claim 1, wherein said particular condition is an UARS (upper airway resistance syndrome) event and is indicated at least by a predetermined attenuation in the probe output.

14. The method according to Claim 1, wherein said particular condition is a Cheynes-Stokes breathing pattern and is indicated at least by predetermined attenuations in the probe output.

15. The method according to Claim 1, wherein said particular condition is a REM (rapid eye movements) and is indicated at least by predetermined attenuations in the probe output.

16. The method according to Claim 1, wherein the time intervals between attenuations in the probe output are used to distinguish between arousals related to periodic leg movement syndrome (PLMS) and arousals related to disordered breathing events during sleep.

17. The method according to Claim 1, wherein the blood oxygen saturation level of the individual is also monitored to produce an output which is used with the output of said external probe to determine the sleep state condition of the individual.

18. The method according to Claim 1, wherein, the oral-nasal airflow of the individual is also monitored to produce an output which is used with the output of said external probe to determine the sleep state condition of the individual.

19. The method according to Claim 1, wherein, the ECG pulse of the individual is also monitored to produce an output which is used with the output of said external probe to determine the sleep state condition of the individual and particularly Pulse Transient Time (PTT).

20. The method according to Claim 1, wherein changes in the pulse rate and/or pulse amplitude of the individual are also monitored and used to determine the sleep state condition of the individual.

21. Apparatus for monitoring an individual to detect the occurrence of a particular condition during the sleep state of the individual, comprising:

an external probe to be applied to an external surface at a peripheral location on the individual's body for monitoring the peripheral vascular bed volume of the individual at said peripheral body location;

and a signaling device for producing a signal indicating said predetermined sleep state condition when a predetermine change in the output of said probe is detected.

22. The apparatus according to Claim 21, wherein said signaling device produces a signal indicating said sleep state condition when a predetermined attenuation of the probe output is detected.

23. The apparatus according to Claim 22, wherein said signaling device produces a signal indicating said sleep state condition when a predetermined time interval between attenuations is also detected.

24. The apparatus according to Claim 22, wherein said signaling device produces a signal indicating said sleep state condition when a predetermined change in the pulse rate and/or pulse amplitude is also detected.

25. The apparatus according to Claim 21, wherein said external probe further includes a pressure applicator for applying a predetermined pressure field to the peripheral body location to reduce venous pooling and thereby to produce an output signal from the probe corresponding to changes in the peripheral arterial bed volume at said peripheral body location. Also, the probe may be designed to cause the pressure field to be extended to the extreme distal end of the body part being tested so as to prevent the occurrence of venous pooling distal to the measurement as well as within the measurement site.

26. The apparatus according to Claim 21, wherein said external probe measures changes in the peripheral arterial tone at said peripheral body location.

27. The apparatus according to Claim 21, wherein said peripheral body location of the individual is a finger, toe or ear lobe of the individual.

28. The apparatus according to Claim 21, wherein said external probe is a volume measuring device or a device capable of providing an index related to volume.

29. The apparatus according to Claim 21, wherein said external probe is an optical measuring device.

30. The apparatus according to Claim 21, wherein the apparatus further includes a pulse oximeter for monitoring the blood oxygen saturation level of the individual to produce an output which is used by said signaling device with said external probe output to determine the sleep state condition of the individual.

31. The apparatus according to Claim 21, wherein the apparatus further includes an oral-nasal airflow sensor for monitoring the oral-nasal airflow of the individual to produce an output which is used by said signaling device with said external probe output to determine the sleep state condition of the individual.

32. The apparatus according to Claim 21, wherein said apparatus further includes a sleep-wake detector for detecting the sleep/wake status of the individual.

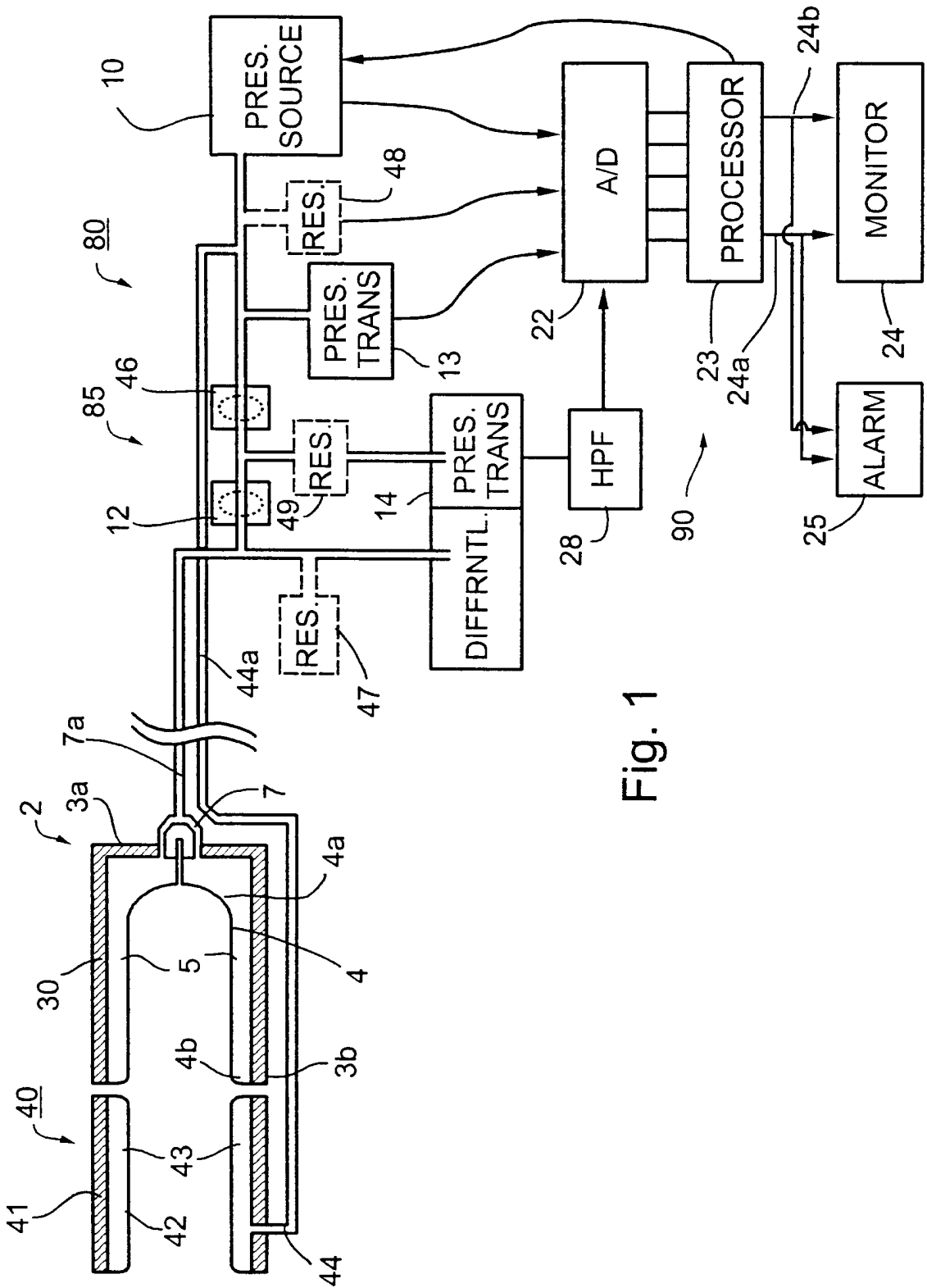


Fig. 1

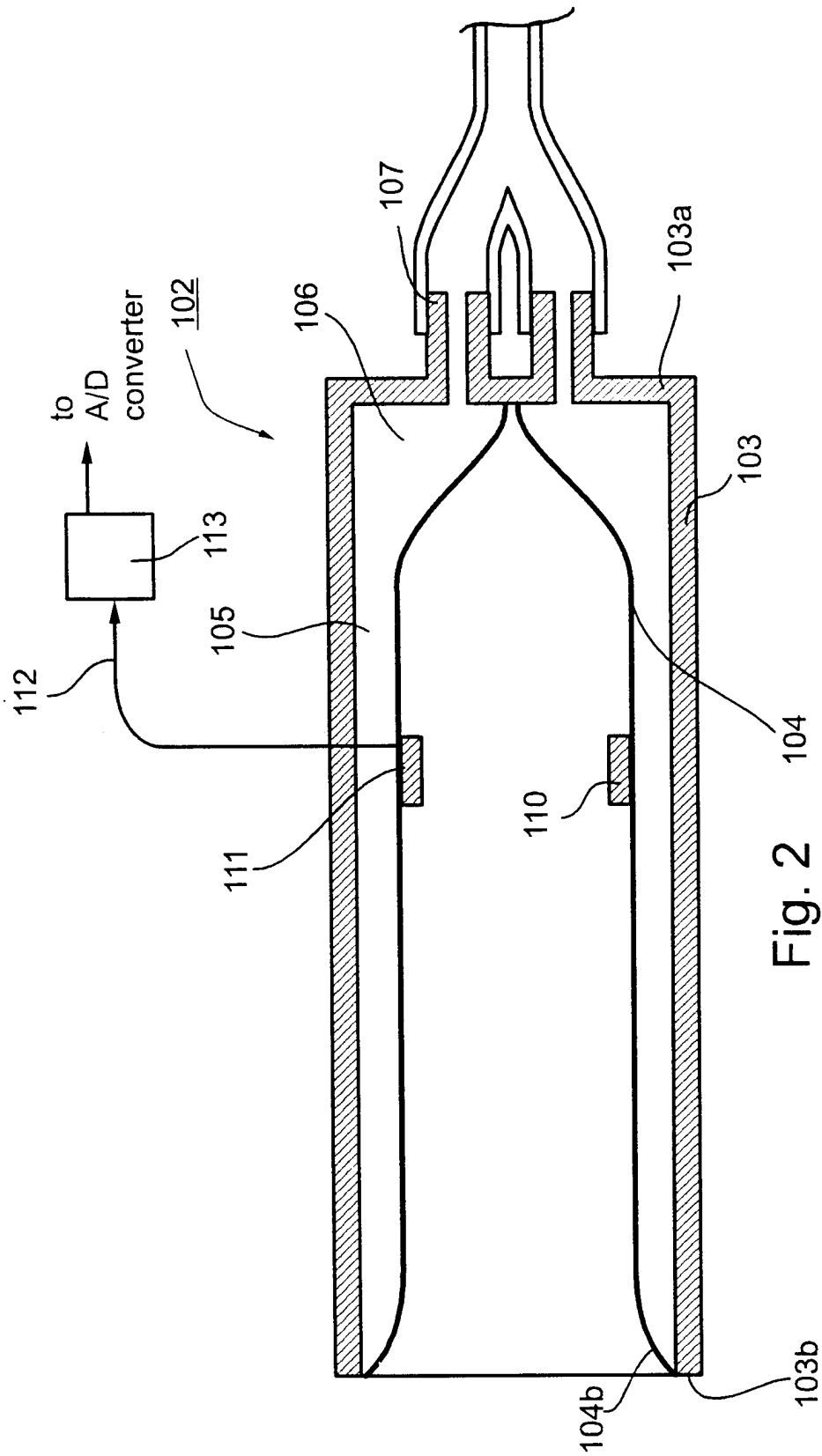


Fig. 2

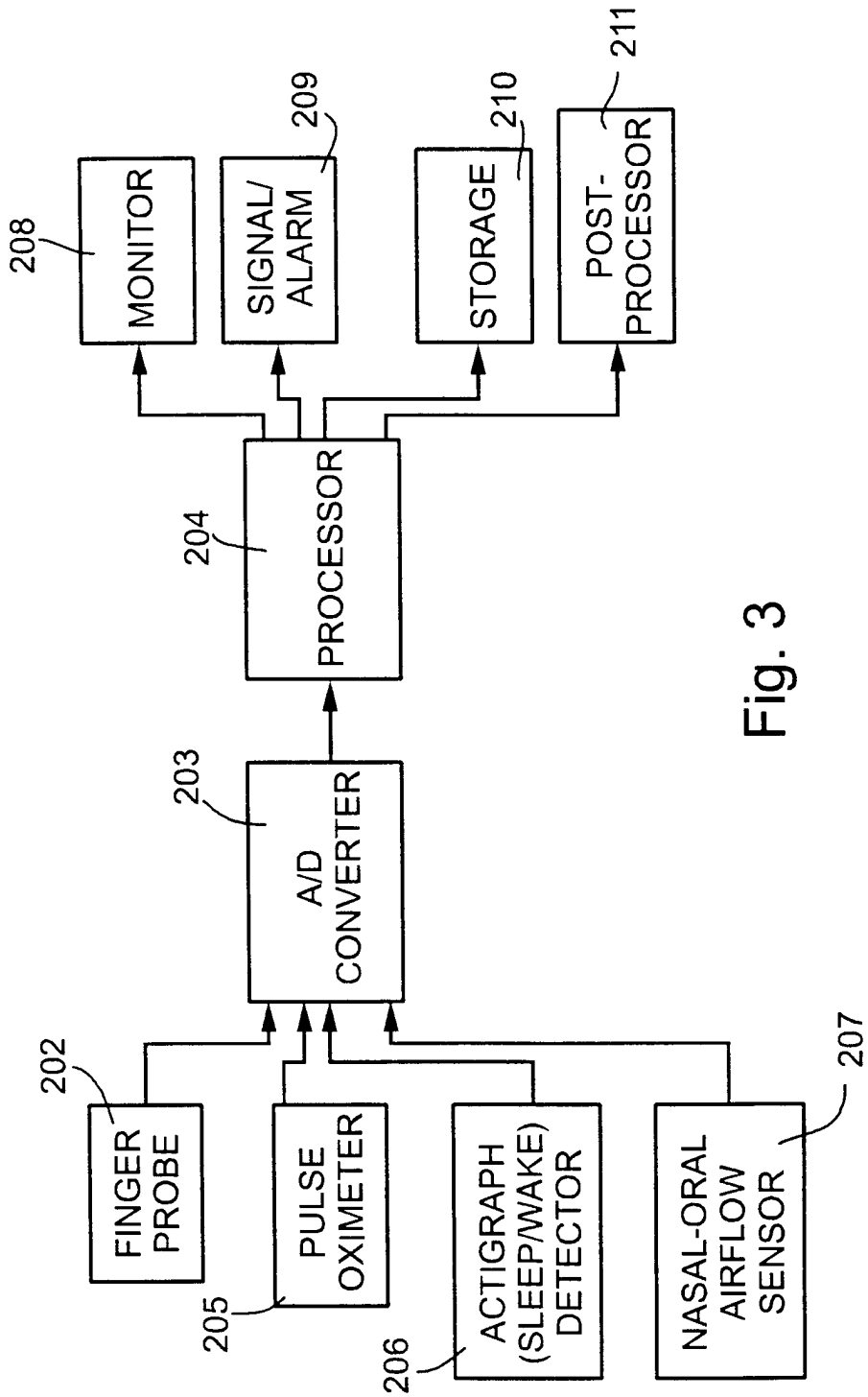


Fig. 3

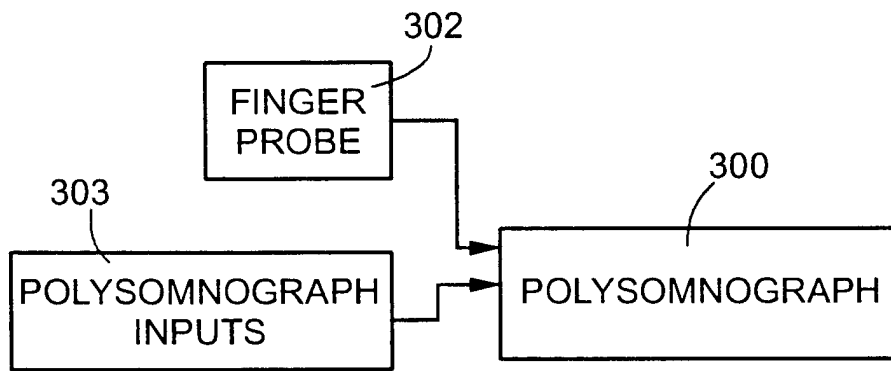
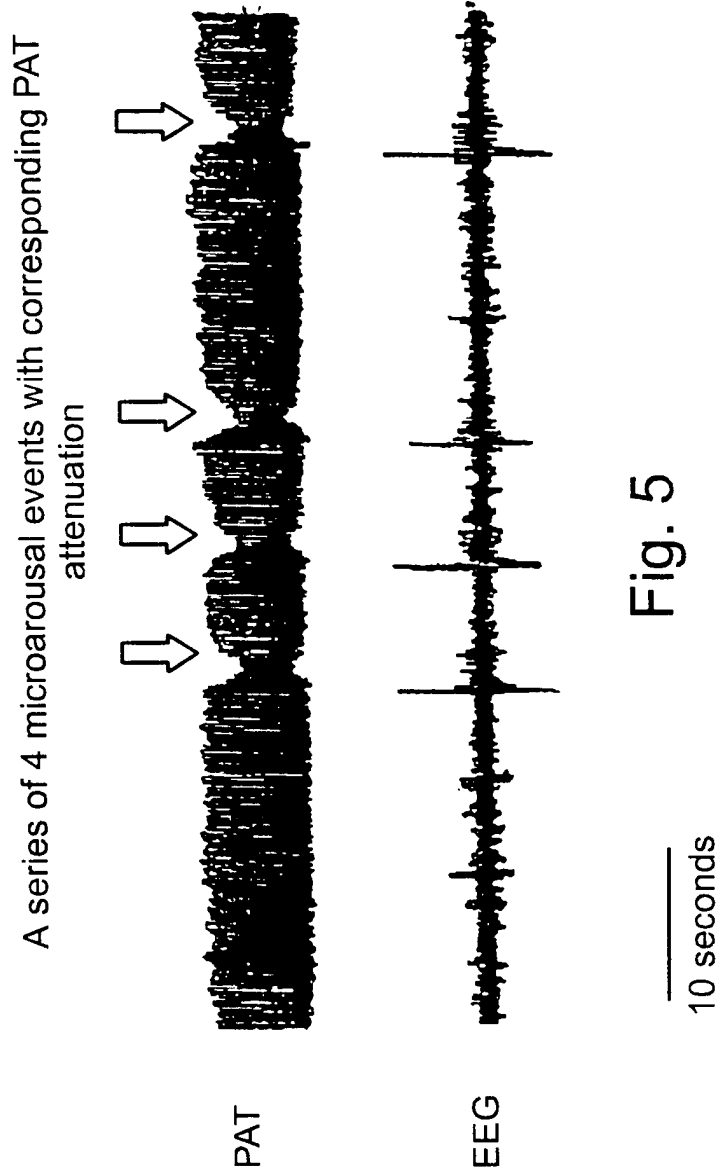


Fig. 4



Alpha EEG Spectrum and PAT vs. Time

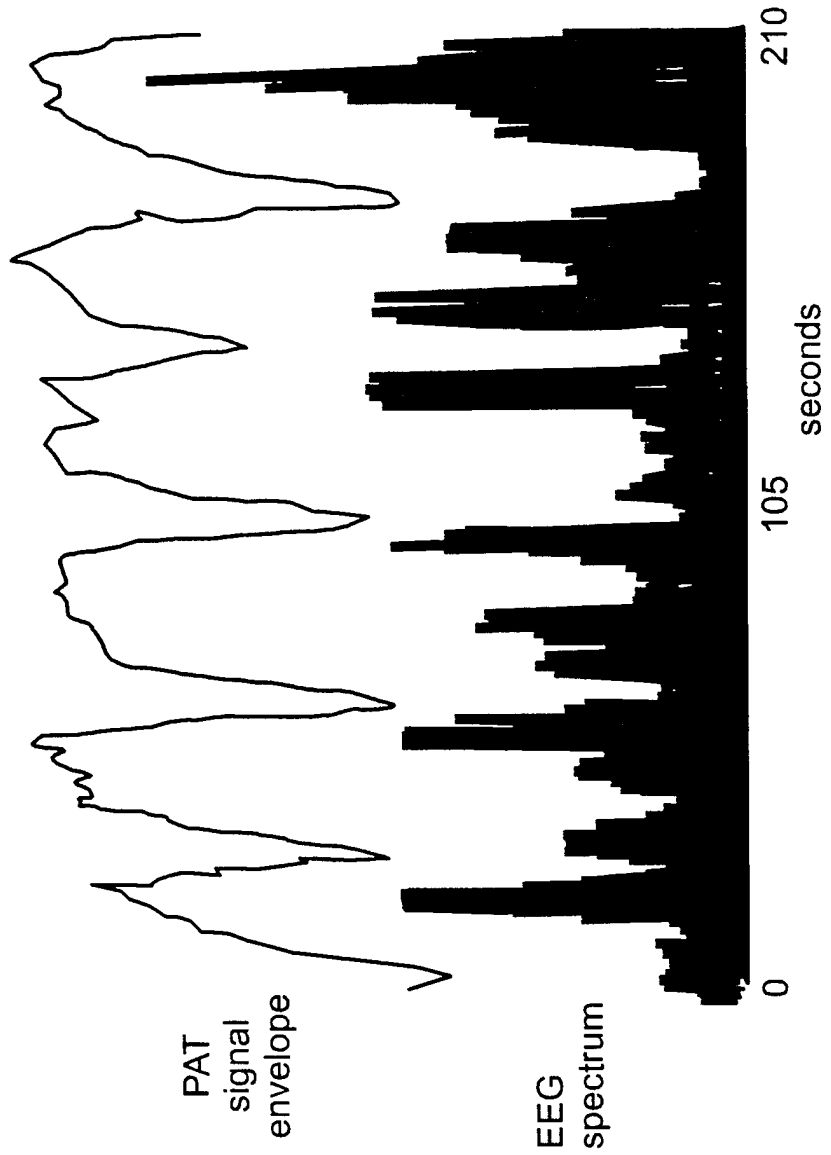


Fig. 6

Cheyne-Stokes Breathing
Respiratory Effort (above) probe signal (below) (3 minute recording)

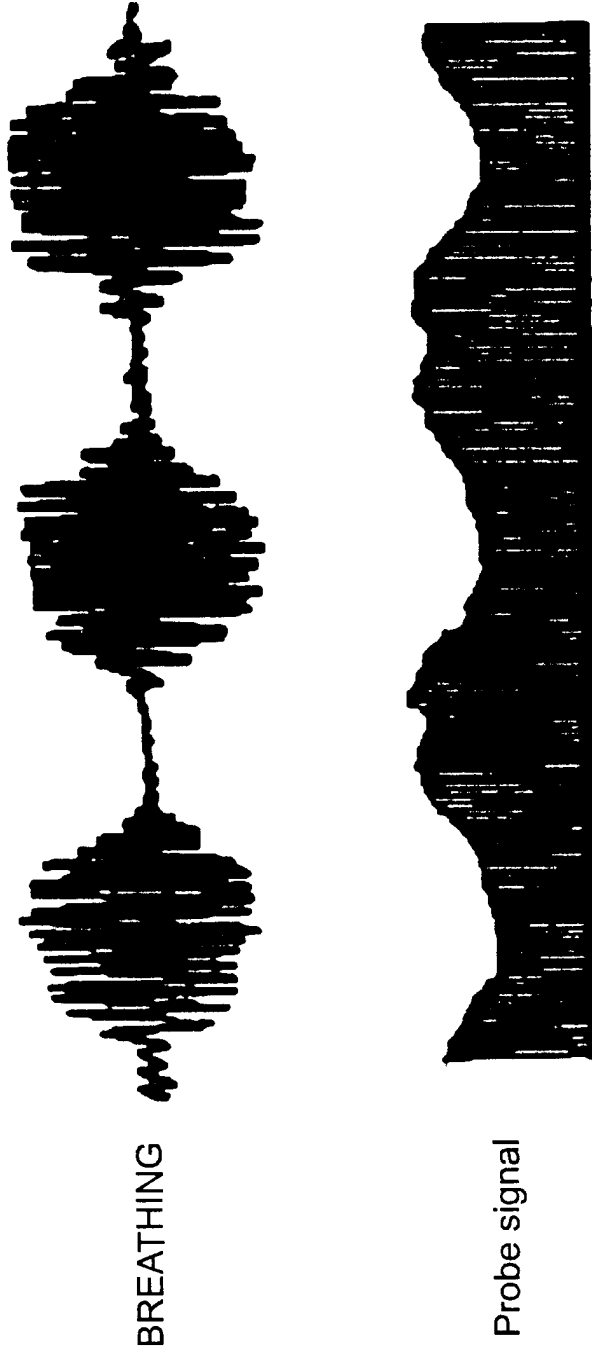


Fig. 7

8/10

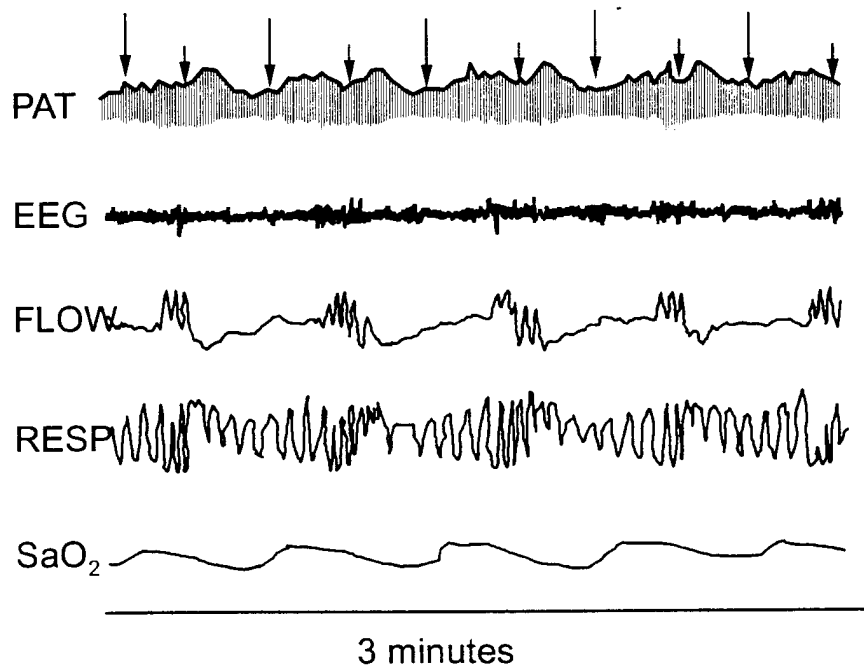


Fig. 8a

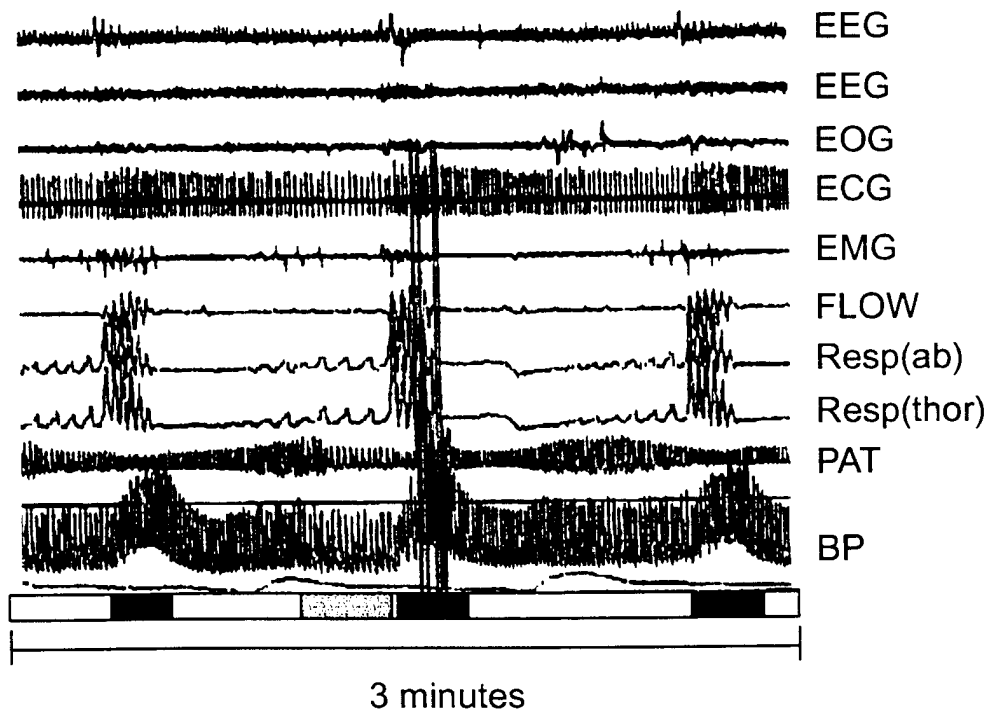


Fig. 8b

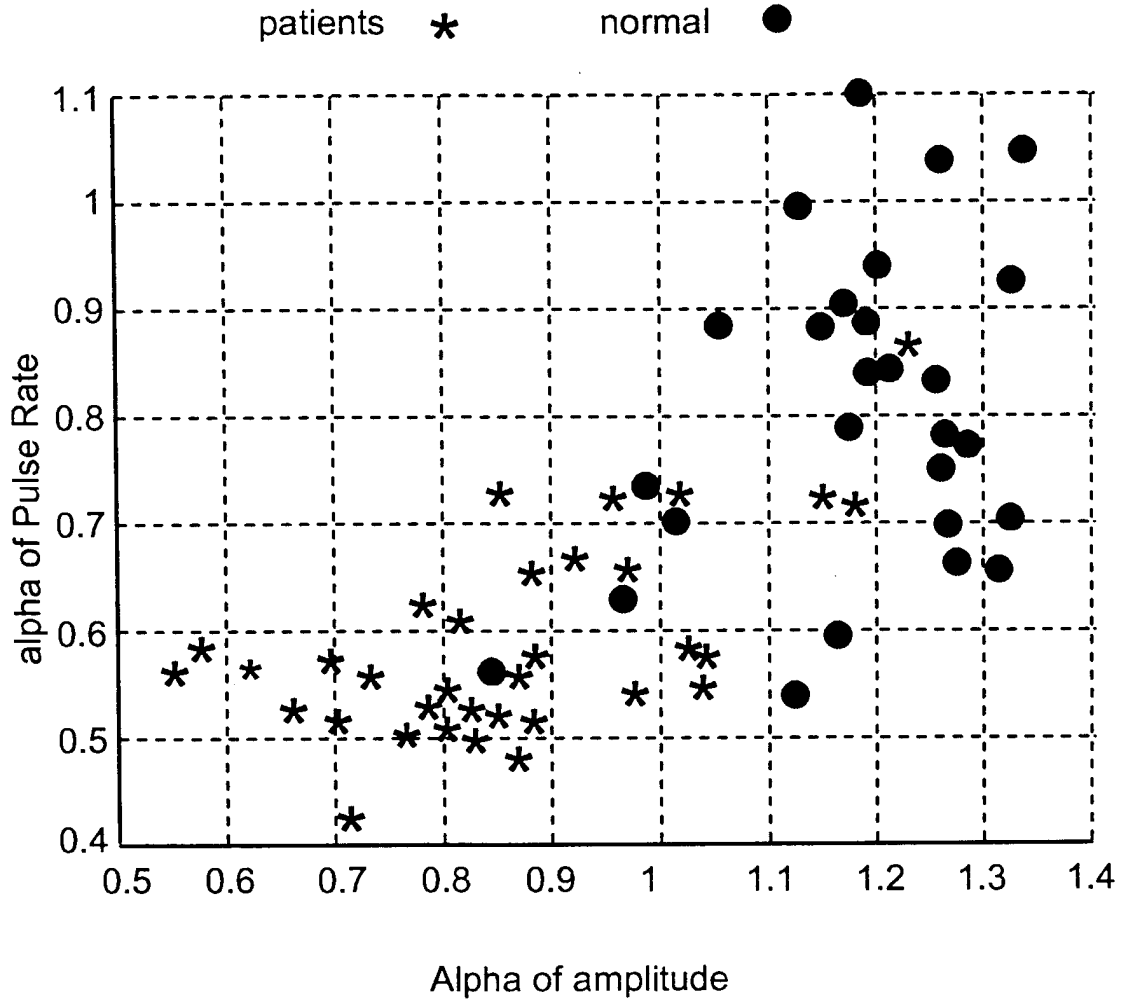


Fig. 9

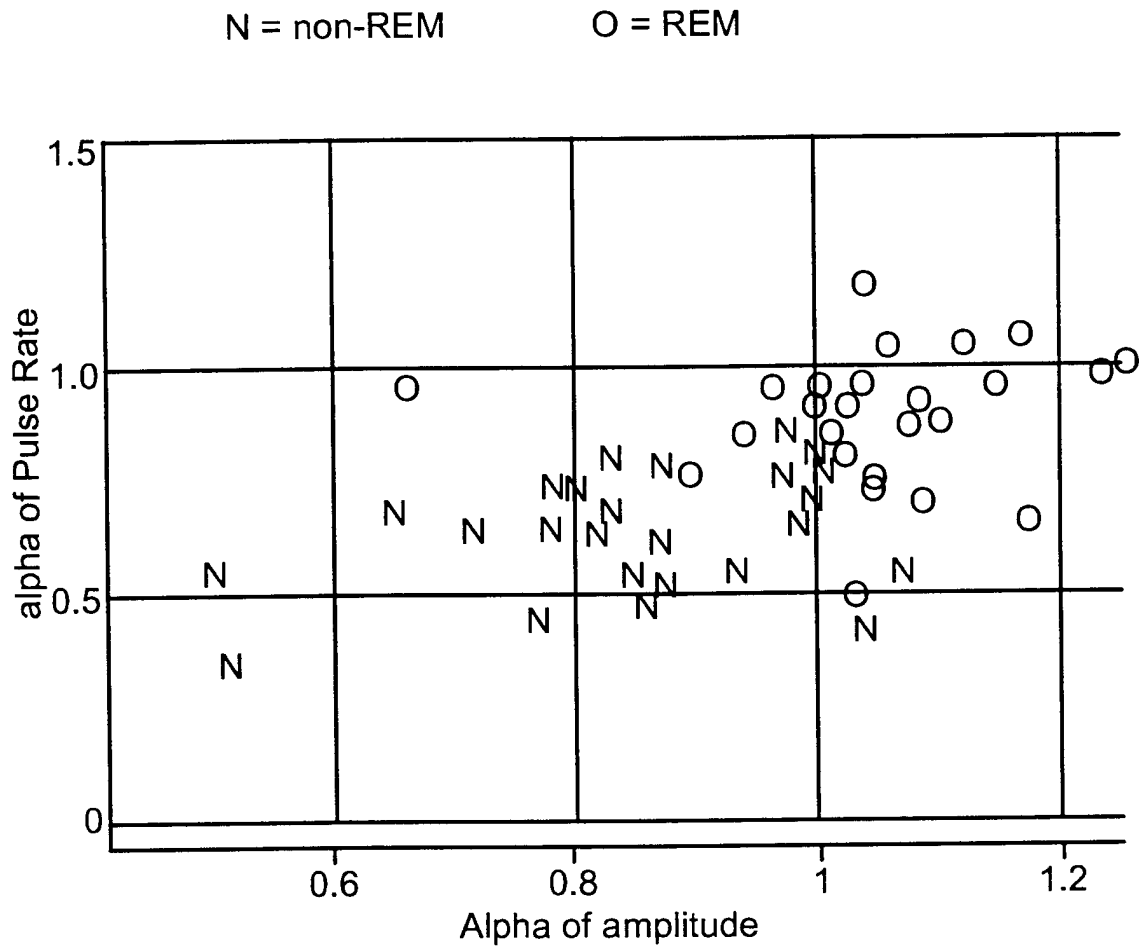
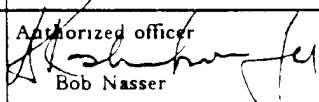


Fig. 10

INTERNATIONAL SEARCH REPORT

International application No.

PCT/IL01/00199

A. CLASSIFICATION OF SUBJECT MATTER IPC(7) : IPC (7) : A61B/5/02 US CL : US CL : 600/507, 504 According to International Patent Classification (IPC) or to both national classification and IPC		
B. FIELDS SEARCHED Minimum documentation searched (classification system followed by classification symbols) U.S. : US CL : 600/507, 504, 481, 490, 491, 500, 501, 502, 26, 27 Documentation searched other than minimum documentation to the extent that such documents are included in the fields searched Electronic data base consulted during the international search (name of data base and, where practicable, search terms used) EAST		
C. DOCUMENTS CONSIDERED TO BE RELEVANT		
Category*	Citation of document, with indication, where appropriate, of the relevant passages	Relevant to claim No.
X	US 5,101,831 A (KOYAMA et al) 07 April 1992, see the abstract, column 3, lines 11-31.	1, 6-9, 15, 17, 21, 27, 28, and 32
A	US 5,917,415 A (ATLAS) 29 June 1999, see claim 1.	1 and 21
A	US 5,398,682 A (LYNN) 21 march 1995, see column 5, lines 10-28.	1, 6, 8, 21, 27, and 30
<input type="checkbox"/> Further documents are listed in the continuation of Box C. <input type="checkbox"/> See patent family annex.		
*	Special categories of cited documents:	"T" later document published after the international filing date or priority date and not in conflict with the application but cited to understand the principle or theory underlying the invention
"A"	document defining the general state of the art which is not considered to be of particular relevance	"X" document of particular relevance; the claimed invention cannot be considered novel or cannot be considered to involve an inventive step when the document is taken alone
"E"	earlier document published on or after the international filing date	"Y" document of particular relevance; the claimed invention cannot be considered to involve an inventive step when the document is combined with one or more other such documents, such combination being obvious to a person skilled in the art
"L"	document which may throw doubt on priority claim(s) or which is cited to establish the publication date of another citation or other special reason (as specified)	"Z" document member of the same patent family
"O"	document referring to an oral disclosure, use, exhibition or other means	
"P"	document published prior to the international filing date but later than the priority date claimed	
Date of the actual completion of the international search		Date of mailing of the international search report
26 JUNE 2001		07 AUG 2001
Name and mailing address of the ISA/US Commissioner of Patents and Trademarks Box PCT Washington, D.C. 20231 Facsimile No. (703) 305-3230		Authorized officer  Bob Nasser Telephone No. (703) 308-2701

专利名称(译)	用于通过监测外周血管系统来非侵入性地检测特定睡眠状态状况的方法和设备		
公开(公告)号	EP1259157A4	公开(公告)日	2005-02-09
申请号	EP2001910113	申请日	2001-03-01
申请(专利权)人(译)	伊塔马尔MEDICAL LTD		
当前申请(专利权)人(译)	伊塔马尔MEDICAL LTD		
[标]发明人	LAVIE PERETZ SCHNALL ROBERT P SHEFFY JACOB		
发明人	LAVIE, PERETZ SCHNALL, ROBERT, P. SHEFFY, JACOB		
IPC分类号	A61B5/0205 A61B5/00 A61B5/0476 A61B5/08 A61B5/083 A61B5/087 A61B5/103 A61B5/16 A61B5/02 A61B5/022		
CPC分类号	A61B5/6826 A61B5/02007 A61B5/0205 A61B5/0476 A61B5/0878 A61B5/1073 A61B5/1455 A61B5 /4812 A61B5/4818 A61B5/6838		
优先权	60/186358 2000-03-02 US 60/212648 2000-06-19 US 60/240079 2000-10-16 US		
其他公开文献	EP1259157A1 EP1259157B1		
外部链接	Espacenet		

摘要(译)

一种用于通过将探针 (2) 应用于个体身体周边位置的外表面来监测个体在个体睡眠状态期间发生特定病症的方法和装置，用于监测周围血管床根据探头 (2) 的输出确定个体在周围身体位置的体积并确定个体的睡眠状态。根据所述发明检测的不同睡眠状态条件的实例包括：睡眠状态期间的觉醒，周期性腿部运动综合征，呼吸暂停，呼吸不足，UARS事件，Cheynes-Stokes呼吸模式和快速眼动 (REM) 阶段睡眠。