



- (51) International Patent Classification:  
A61B 5/0456 (2006.01)
- (21) International Application Number:  
PCT/US2013/058258
- (22) International Filing Date:  
5 September 2013 (05.09.2013)
- (25) Filing Language: English
- (26) Publication Language: English
- (30) Priority Data:  
13/607,160 7 September 2012 (07.09.2012) US
- (71) Applicant: VITAL CONNECT, INC. [US/US]; 900 East Hamilton Avenue, Suite 500, Campbell, CA 95008 (US).
- (72) Inventors: YANG, Yun; 900 East Hamilton Avenue, Suite 500, Campbell, CA 95008 (US). NARASIMHAN, Ravi; 900 East Hamilton Avenue, Suite 500, Campbell, CA 95008 (US). FERDOSI, Nima; 900 East Hamilton Avenue, Suite 500, Campbell, CA 95008 (US).

- (74) Agent: SAWYER, Joseph, A., Jr.; Sawyer Law Group, P.C., P.O. Box 51418, Palo Alto, CA 94303 (US).
- (81) Designated States (unless otherwise indicated, for every kind of national protection available): AE, AG, AL, AM, AO, AT, AU, AZ, BA, BB, BG, BH, BN, BR, BW, BY, BZ, CA, CH, CL, CN, CO, CR, CU, CZ, DE, DK, DM, DO, DZ, EC, EE, EG, ES, FI, GB, GD, GE, GH, GM, GT, HN, HR, HU, ID, IL, IN, IS, JP, KE, KG, KN, KP, KR, KZ, LA, LC, LK, LR, LS, LT, LU, LY, MA, MD, ME, MG, MK, MN, MW, MX, MY, MZ, NA, NG, NI, NO, NZ, OM, PA, PE, PG, PH, PL, PT, QA, RO, RS, RU, RW, SA, SC, SD, SE, SG, SK, SL, SM, ST, SV, SY, TH, TJ, TM, TN, TR, TT, TZ, UA, UG, US, UZ, VC, VN, ZA, ZM, ZW.
- (84) Designated States (unless otherwise indicated, for every kind of regional protection available): ARIPO (BW, GH, GM, KE, LR, LS, MW, MZ, NA, RW, SD, SL, SZ, TZ, UG, ZM, ZW), Eurasian (AM, AZ, BY, KG, KZ, RU, TJ, TM), European (AL, AT, BE, BG, CH, CY, CZ, DE, DK, EE, ES, FI, FR, GB, GR, HR, HU, IE, IS, IT, LT, LU, LV,

[Continued on next page]

(54) Title: R-R INTERVAL MEASUREMENT USING MULTI-RATE ECG PROCESSING

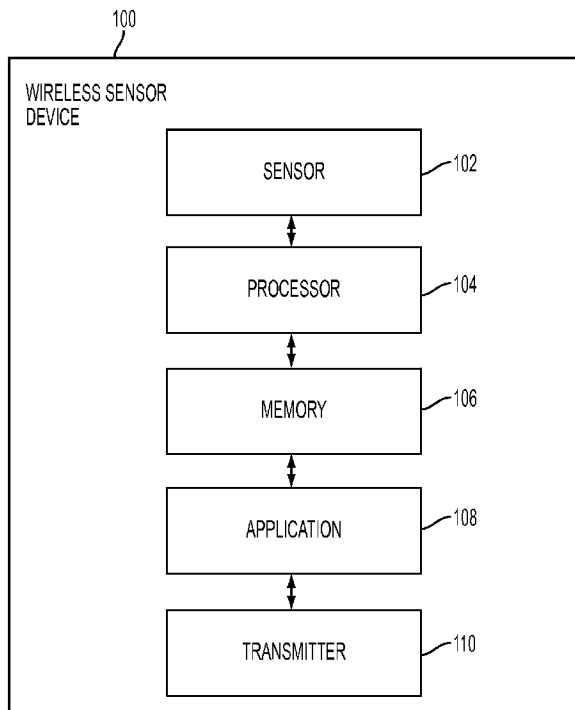


FIG. 1

(57) Abstract: A method and system for R-R interval measurement of a user are disclosed. In a first aspect, the method comprises detecting an electrocardiogram (ECG) signal of the user. The method includes performing QRS peak detection on the ECG signal to obtain a low resolution peak and searching near the low resolution peak for a high resolution peak. The method includes calculating the R-R interval measurement based upon the high resolution peak. In a second aspect, a wireless sensor device comprises a processor and a memory device coupled to the processor, wherein the memory device includes an application that, when executed by the processor, causes the processor to carry out the steps of the method.

WO 2014/039678 A1

MC, MK, MT, NL, NO, PL, PT, RO, RS, SE, SI, SK, **Published:**  
SM, TR), OAPI (BF, BJ, CF, CG, CI, CM, GA, GN, GQ, — *with international search report (Art. 21(3))*  
GW, KM, ML, MR, NE, SN, TD, TG).

## R-R INTERVAL MEASUREMENT USING MULTI-RATE ECG PROCESSING

## FIELD OF THE INVENTION

The present invention relates to wireless sensor devices, and more  
5 particularly, to wireless sensor devices that measure R-R intervals using multi-rate  
ECG processing.

## BACKGROUND

Wireless sensor devices are used in a variety of applications including the  
10 heart function measurements of users. In many of these applications, a wireless  
sensor device is attached directly to the user's skin to measure certain data. By  
combining this measured data with various low complexity heart function  
measurement algorithms, the heart function measurements of the user are  
calculated by the wireless sensor device. Imperfections typical to wearable sensor  
15 environments include motion artifact noise and baseline wander that degrade the  
performance of such algorithms.

As a result, extra processing is required to create robust heart function  
measurement algorithms. Such processing requires extensive mathematical  
calculations which translate into higher power consumption by the microprocessor  
20 of the wireless sensor device. Therefore, there is a strong need for a power  
efficient solution that utilizes the advantages of robust heart function measurement

algorithms while minimizing the power consumption required for the execution of these algorithms. The present invention addresses such a need.

## SUMMARY OF THE INVENTION

5           A method and system for R-R interval measurement of a user are disclosed. In a first aspect, the method comprises detecting an electrocardiogram (ECG) signal of the user. The method includes performing QRS peak detection on the ECG signal to obtain a low resolution peak and searching near the low resolution peak for a high resolution peak. The method includes calculating the R-R interval  
10 measurement based upon the high resolution peak.

In a second aspect, a wireless sensor device comprises a processor and a memory device coupled to the processor, wherein the memory device includes an application that, when executed by the processor, causes the processor to detect an electrocardiogram (ECG) signal of the user. The application, when executed by  
15 the processor, further causes the processor to perform QRS peak detection on the ECG signal to obtain a low resolution peak, to search near the low resolution peak for a high resolution peak, and to calculate the R-R interval measurement based upon the high resolution peak.

## 20 BRIEF DESCRIPTION OF THE DRAWINGS

The accompanying figures illustrate several embodiments of the invention and, together with the description, serve to explain the principles of the invention.

One of ordinary skill in the art readily recognizes that the particular embodiments illustrated in the figures are merely exemplary, and are not intended to limit the scope of the present invention.

Figure 1 illustrates a wireless sensor device in accordance with an embodiment.  
5

Figure 2 illustrates a flow chart of a method in accordance with an embodiment.

Figure 3 illustrates a diagram of peak detection in accordance with an embodiment.

Figure 4 illustrates a more detailed flow chart of a method in accordance with an embodiment.  
10

Figure 5 illustrates a more detailed flow chart of a method in accordance with an embodiment.

Figure 6 illustrates a diagram of R-R interval in accordance with an embodiment.  
15

#### DETAILED DESCRIPTION

The present invention relates to wireless sensor devices, and more particularly, to wireless sensor devices that measure R-R intervals using multi-rate electrocardiogram (ECG) processing. The following description is presented to enable one of ordinary skill in the art to make and use the invention and is provided in the context of a patent application and its requirements. Various modifications to  
20

the preferred embodiment and the generic principles and features described herein will be readily apparent to those skilled in the art. Thus, the present invention is not intended to be limited to the embodiments shown but is to be accorded the widest scope consistent with the principles and features described herein.

5           An R-R interval calculation denotes the time elapsing between two consecutive R waves in an electrocardiogram (ECG). In order to measure an R-R interval based on an ECG of a user, electrodes of a wireless sensor device are attached to the user's body to detect an ECG signal. The signal is then converted from the analog domain to the digital domain using an analog-to-digital converter  
10 (ADC). The accuracy of the R-R interval measurement depends on the fidelity of the digital versions of the ECG signal to its original analog version. Higher sampling rates of the ECG signal result in a more accurate R-R interval measurement but also reduce battery life due to the increased power consumption that results from the wireless sensor device computing additional mathematical operations per unit  
15 time.

          Various low complexity heart function measurement algorithms, including but not limited to Qualified Peak Detection, are computationally simple and achieve adequate performance under optimal conditions and relatively low sampling rates. With these algorithms, the ECG signal is passed through a band-pass filter to  
20 remove the baseline and band noise. Local maximums of the ECG signal are found over predetermined time periods. For a local maximum to qualify as a QRS peak, the identified local maximum must be higher than a certain peak threshold which helps reject peaks that result from noise or a T wave complex. One of ordinary skill in the art readily recognizes that the peak threshold can be a variety of thresholds

including but not limited to a threshold that is a function of the average of previously detected peaks to enable the algorithm to adapt to changes in the ECG signal and that would be within the spirit and scope of the present invention.

A method and system in accordance with the present invention provides  
5 robust, low power R-R interval measurement using multi-rate ECG processing. By attaching a wireless sensor device that includes at least one electrode to the user and detecting an ECG signal, high resolution peak detection is achieved either by sampling the analog ECG signal at a higher sampling rate than is needed by a robust DSP peak detection algorithm or by re-sampling the digital ECG signal  
10 around a low resolution peak that has been detected by the robust DSP peak detection algorithm. The detected high resolution peak is utilized to calculate the user's R-R interval measurement to arrive at a variety of heart function measurements including but not limited to heart rate and heart rate variability measurements.

15 One of ordinary skill in the art readily recognizes that a variety of wireless sensor devices can be utilized including but not limited to tri-axial accelerometers, uni-axial accelerometers, bi-axial accelerometers, gyroscopes, electrode systems, and pressure sensors and that would be within the spirit and scope of the present invention.

20 To describe the features of the present invention in more detail, refer now to the following description in conjunction with the accompanying Figures.

In one embodiment, a wireless sensor device is attached to a user and continuously and automatically obtains varying types of data including but not

limited to ECG samples of the user. An application embedded within a processor of the wireless sensor device analyzes and compares the ECG samples to measure the user's heart function measurements.

FIG. 1 illustrates a wireless sensor device 100 in accordance with an embodiment. The wireless sensor device 100 includes a sensor 102, a processor 104 coupled to the sensor 102, a memory 106 coupled to the processor 104, an application 108 coupled to the memory 106, and a transmitter 110 coupled to the application 108. The sensor 102 obtains data from the user and transmits the data to the memory 106 and in turn to the application 108. The processor 104 executes the application 108 to measure R-R interval information of the user. The information is either used locally by the application to further derive other useful information, including but not limited to heart rate and respiratory rate, or is transmitted to the transmitter 110 and in turn relayed to another user or device.

In one embodiment, the sensor 102 comprises two electrodes and the processor 104 is a microprocessor. One of ordinary skill in the art readily recognizes that a variety of devices can be utilized for the processor 104, the memory 106, the application 108, and the transmitter 110 and that would be within the spirit and scope of the present invention.

FIG. 2 illustrates a flow chart of a method 200 in accordance with an embodiment. Referring to FIG. 1 and 2 together, the method 200 comprises the wireless sensor device 100 detecting an electrocardiogram (ECG) signal of the user, via step 202. The method includes performing QRS peak detection on the ECG signal to obtain a low resolution peak, via step 204, and searching near the

low resolution peak for a high resolution peak, via step 206. The R-R interval measurement of the user is calculated based upon the high resolution peak, via step 208. In this embodiment, the sensor 102 that is housed within the wireless sensor device 100 measures the ECG signal of the user. In another embodiment, notification information of the R-R interval measurement of the user is relayed by the wireless sensor device 100 to another user or device.

In one embodiment, after the wireless sensor device 100 detects the ECG signal of the user, a high fidelity digital ECG signal is acquired either by using an adequately high sampling rate or by re-sampling the signal in the digital domain or by both methodologies. In this embodiment, QRS peak detection is performed on a plurality of ECG samples of the ECG signal to obtain a QRS peak at a lower sampling rate. After finding the QRS peak at the lower sampling rate, the wireless sensor device 100, at a higher sampling rate, searches for a high resolution peak among all ECG samples that neighbor the QRS peak at the lower sampling rate. FIG. 3 illustrates a diagram 300 of peak detection in accordance with an embodiment. In the diagram 300, a peak 302 is detected at a lower sampling frequency and a peak 304 is subsequently detected at a higher sampling frequency.

In one embodiment, the wireless sensor device 100 samples an analog ECG signal at 500 Hz and feeds the analog ECG signal into an ADC. After conversion, the digital ECG signal is band-pass filtered and all of the ECG samples of the digital ECG signal are processed by a robust DSP algorithm for peak detection at 500 samples per second to output a high resolution peak. In this embodiment, the output of the robust DSP algorithm for peak detection is utilized for R-R interval calculation.

FIG. 4 illustrates a more detailed flow chart of a method 400 in accordance with an embodiment. The method 400 detects a high resolution peak while utilizing lowered power consumption by sampling an analog ECG signal of a user at a higher sampling rate than is utilized by a robust DSP algorithm for peak detection.

5 In one embodiment, the analog ECG signal is sampled at 500 samples per second (500 Hz) and the robust DSP algorithm utilizes 125 samples per second (125 Hz) for its computation.

In the method 400, a wireless sensor device detects an analog ECG signal of a user at a higher sampling rate. In one embodiment, the analog ECG signal is  
10 sampled at 500 Hz. The analog ECG signal is filtered with an anti-aliasing filter, via step 402, converted into a digital ECG signal by an ADC, via step 404, and filtered again with a band-pass filter, via step 406. After band-pass filtering, the digital ECG signal is down-sampled, via step 408, and processed at a lower sampling rate by the robust DSP algorithm, via step 410, to detect a low resolution peak 412. Thus,  
15 a subset of ECG samples of the digital ECG signal is processed by the robust DSP algorithm. In one embodiment, the subset comprises every fourth ECG sample of the digital ECG signal or 125 samples per second (125 Hz).

A high resolution peak is determined at the original higher sampling rate by a search over a span of points to the left and to the right of the detected low resolution  
20 peak 412, via step 414. In one embodiment, the span of points is from 3 points to the left to 3 points to the right of the detected low resolution peak 412. The determined high resolution peak is utilized in combination with a previously and/or subsequently determined high resolution peak to calculate an R-R interval, via step 416.

FIG. 5 illustrates a more detailed flow chart of a method 500 in accordance with an embodiment. The method 500 detects a high resolution peak while utilizing lowered power consumption by sampling an analog ECG signal of a user at a lower sampling rate and re-sampling a digital ECG signal around a low resolution peak that has been detected by a robust DSP algorithm for peak detection. In one embodiment, the analog ECG signal is sampled at 125 samples per second (125 Hz).

In the method 500, a wireless sensor device detects an analog ECG signal of a user at a lower sampling rate. In one embodiment, the analog ECG signal is sampled at 125 Hz. The analog ECG signal is filtered with an anti-aliasing filter, via step 502, converted into a digital ECG signal by an ADC, via step 504, and filtered again with a band-pass filter, via step 506. After band-pass filtering, the robust DSP algorithm processes the digital ECG signal, via step 508, to detect a low resolution peak 510.

A high resolution peak is determined by choosing a span of points to the left and to the right of the detected low resolution peak 510 and by obtaining higher time resolution ECG samples by interpolating between these points, via step 512. In one embodiment, the span of points is from 10 points to the left to 10 points to the right of the detected low resolution peak 510.

After interpolation, the wireless sensor device searches for the high resolution peak at a higher time resolution over a span of points to the left and to the right of the previously detected peak among the interpolated ECG samples, via step 514. In one embodiment, the span of points is from 3 points to the left to 3

points to the right of the previously detected peak among the interpolated ECG samples. The determined high resolution peak is utilized in combination with a previously and/or subsequently determined high resolution peak to calculate an R-R interval, via step 516.

5           The approaches described by FIG. 4 and FIG. 5 reduce the power consumption requirements of the wireless sensor device 100. The first approach of FIG. 4 offers a power reduction by utilizing a lower processing power. The second approach of FIG. 5 offers a power reduction by utilizing a lower analog power (lower sampling rate) and a lower processing power (computing R-R intervals less  
10 frequently). Both approaches output an R-R interval calculation that is utilized by the wireless sensor device 100 to compute the heart function measurements of the user. FIG. 6 illustrates a diagram 600 of R-R interval in accordance with an embodiment. In the diagram 600, an R-R interval 602 is denoted between a first and a second QRS peak.

15           As above described, the method and system allow for R-R interval measurement of a user based upon multi-rate ECG processing. By implementing at least one electrode within a wireless sensor device to detect an ECG signal and by acquiring a high fidelity digital ECG signal either by using an adequately high sampling rate or by re-sampling the signal in the digital domain or both, a power  
20 efficient R-R interval measurement system is achieved that decreases the power consumption usage of the wireless sensor device.

A method and system for R-R interval measurement of a user have been disclosed. Embodiments described herein can take the form of an entirely

hardware implementation, an entirely software implementation, or an implementation containing both hardware and software elements. Embodiments may be implemented in software, which includes, but is not limited to, application software, firmware, resident software, microcode, etc.

5           The steps described herein may be implemented using any suitable controller or processor, and software application, which may be stored on any suitable storage location or computer-readable medium. The software application provides instructions that enable the processor to perform the functions described herein.

10           Furthermore, embodiments may take the form of a computer program product accessible from a computer-usable or computer-readable medium providing program code for use by or in connection with a computer or any instruction execution system. For the purposes of this description, a computer-usable or computer-readable medium can be any apparatus that can contain, store,  
15           communicate, propagate, or transport the program for use by or in connection with the instruction execution system, apparatus, or device.

          The medium may be an electronic, magnetic, optical, electromagnetic, infrared, semiconductor system (or apparatus or device), or a propagation medium. Examples of a computer-readable medium include a semiconductor or solid state  
20           memory, magnetic tape, a removable computer diskette, a random access memory (RAM), a read-only memory (ROM), a rigid magnetic disk, and an optical disk. Current examples of optical disks include DVD, compact disk-read-only memory (CD-ROM), and compact disk – read/write (CD-R/W).

Although the present invention has been described in accordance with the embodiments shown, one of ordinary skill in the art will readily recognize that there could be variations to the embodiments and those variations would be within the spirit and scope of the present invention. Accordingly, many modifications may be  
5 made by one of ordinary skill in the art without departing from the spirit and scope of the appended claims.

## CLAIMS

What is claimed is:

1. A method for R-R interval measurement of a user, the method comprising:  
detecting an electrocardiogram (ECG) signal of the user;  
5 performing QRS peak detection on the ECG signal to obtain a low resolution peak;  
searching proximate the low resolution peak for a high resolution peak; and  
calculating the R-R interval measurement based upon the high resolution peak.  
10
2. The method of claim 1, wherein the detecting is at a high sampling rate, further comprising:  
filtering the ECG signal using an anti-aliasing filter;  
converting the ECG signal from an analog domain to a digital domain using  
15 an analog-to-digital converter (ADC);  
filtering the digital ECG signal using a band-pass filter;  
down-sampling the digital ECG signal at a low sampling rate;  
processing at least one ECG sample of the digital ECG signal using a digital  
signal processing (DSP) algorithm to detect a peak of the down-sampled ECG  
20 signal; and  
searching near the peak of the down-sampled ECG signal at the high  
sampling rate for the high resolution peak.
3. The method of claim 1, wherein the detecting is at a low sampling rate,  
25 further comprising:  
filtering the ECG signal using an anti-aliasing filter;  
converting the ECG signal from an analog domain to a digital domain using  
an analog-to-digital converter (ADC);  
filtering the digital ECG signal using a band-pass filter;  
30 processing the digital ECG signal using a digital signal processing (DSP)  
algorithm to detect the low resolution peak; and

searching near the low resolution peak for the high resolution peak.

4. The method of claim 2, wherein the processing further comprises:  
processing every fourth ECG sample of the digital ECG signal using a robust  
5 digital signal processing (DSP) algorithm to detect a peak of the down-sampled  
ECG signal.
5. The method of claim 2, wherein the searching further comprises:  
searching a range of ECG sample points spanning left and right sides of the  
10 low resolution peak to determine the high resolution peak.
6. The method of claim 5, wherein the range of ECG sample points spans from  
3 points to the left to 3 points to the right of the low resolution peak.
- 15 7. The method of claim 3, wherein the searching further comprises:  
selecting a range of ECG sample points spanning left and right sides of the  
low resolution peak; and  
interpolating between the range to obtain high resolution interpolated  
samples; and  
20 searching within the high resolution interpolated samples to determine the  
high resolution peak.
8. The method of claim 7, wherein the range of ECG sample points spans from  
10 points to the left to 10 points to the right of the low resolution peak and wherein  
25 the searching within spans from 3 points to the left to 3 points to the right of the high  
resolution interpolated samples.
9. The method of claim 1, wherein the calculating further comprises:  
comparing the high resolution peak with another previously calculated high  
30 resolution peak to compute the R-R interval calculation.
10. The method of claim 1, further comprising:

attaching a wireless sensor device to the user via at least one electrode; and detecting the ECG signal of the user by the wireless sensor device.

11. The method of claim 1, wherein the low resolution peak is a QRS peak at a  
5 lower sampling rate of 125 Hz.
12. The method of claim 1, wherein the high resolution peak is a QRS peak at a higher sampling rate of 500 Hz.
- 10 13. A wireless sensor device for R-R interval measurement of a user, the wireless sensor device comprising:  
a processor; and  
a memory device coupled to the processor, wherein the memory device includes an application that, when executed by the processor, causes the processor  
15 to:  
receive an electrocardiogram (ECG) signal of the user;  
perform QRS peak detection on the ECG signal to obtain a low resolution peak;  
search proximate the low resolution peak for a high resolution peak; and  
20 calculate the R-R interval measurement based upon the high resolution peak.
14. The wireless sensor device of claim 13, wherein a circuit of the wireless sensor device filters the ECG signal using an anti-aliasing filter, converts the ECG  
25 signal to a digital ECG signal using an analog-to-digital converter (ADC), and filters the digital ECG signal using a band-pass filter, wherein the detection is at a high sampling rate, wherein the application, when executed by the processor, further causes the processor to:  
down-sample the digital ECG signal at a low sampling rate;  
30 process at least one ECG sample of the digital ECG signal using a digital signal processing (DSP) algorithm to detect a peak of the down-sampled ECG signal; and

search near the peak of the down-sampled ECG signal at the high sampling rate for the high resolution peak.

15. The wireless sensor device of claim 13, wherein a circuit of the wireless  
5 sensor device filters the ECG signal using an anti-aliasing filter, converts the ECG signal to a digital ECG signal using an analog-to-digital converter (ADC), and filters the digital ECG signal using a band-pass filter, wherein the detection is at a low sampling rate, wherein the application, when executed by the processor, further causes the processor to:

10 process the digital ECG signal using a digital signal processing (DSP) algorithm to detect the low resolution peak; and  
search near the low resolution peak for the high resolution peak.

16. The wireless sensor device of claim 14, wherein to process further comprises  
15 to:  
process every fourth ECG sample of the digital ECG signal using a robust digital signal processing (DSP) algorithm to detect a peak of the down-sampled ECG signal.

20 17. The wireless sensor device of claim 14, wherein to search further comprises to:  
search a range of ECG sample points spanning 3 points to the left and 3 points to the right of the low resolution peak to determine the high resolution peak.

25 18. The wireless sensor device of claim 15, wherein to search further comprises to:  
select a range of ECG sample points spanning left and right sides of the low resolution peak;  
interpolate between the range to obtain high resolution interpolated samples;  
30 and  
search within the high resolution interpolated samples to determine the high resolution peak.

19. The wireless sensor device of claim 18, wherein the range of ECG sample points spans from 10 points to the left to 10 points to the right of the low resolution peak and wherein the search within the high resolution interpolated samples spans  
5 from 3 points to the left to 3 points to the right of the high resolution interpolated samples.

20. The wireless sensor device of claim 13, wherein to calculate further comprises to:  
10 compare the high resolution peak with another previously calculated high resolution peak to compute the R-R interval calculation.

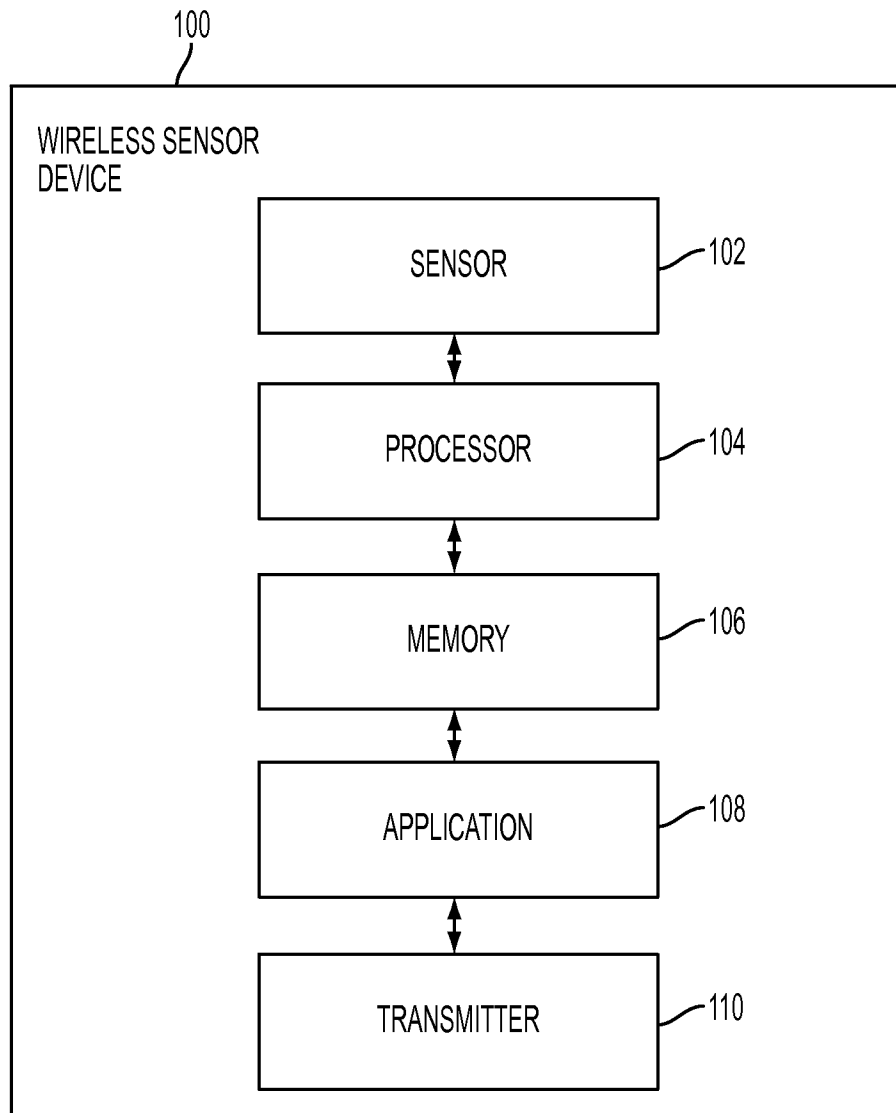


FIG. 1

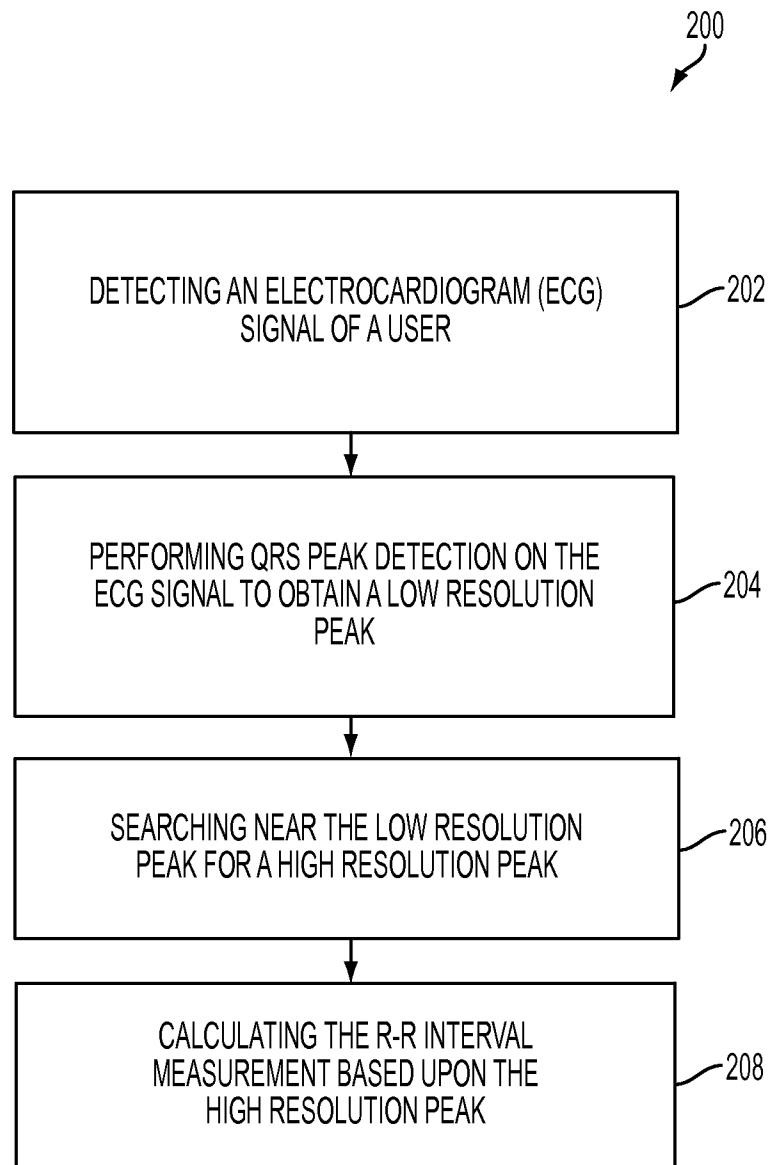


FIG. 2

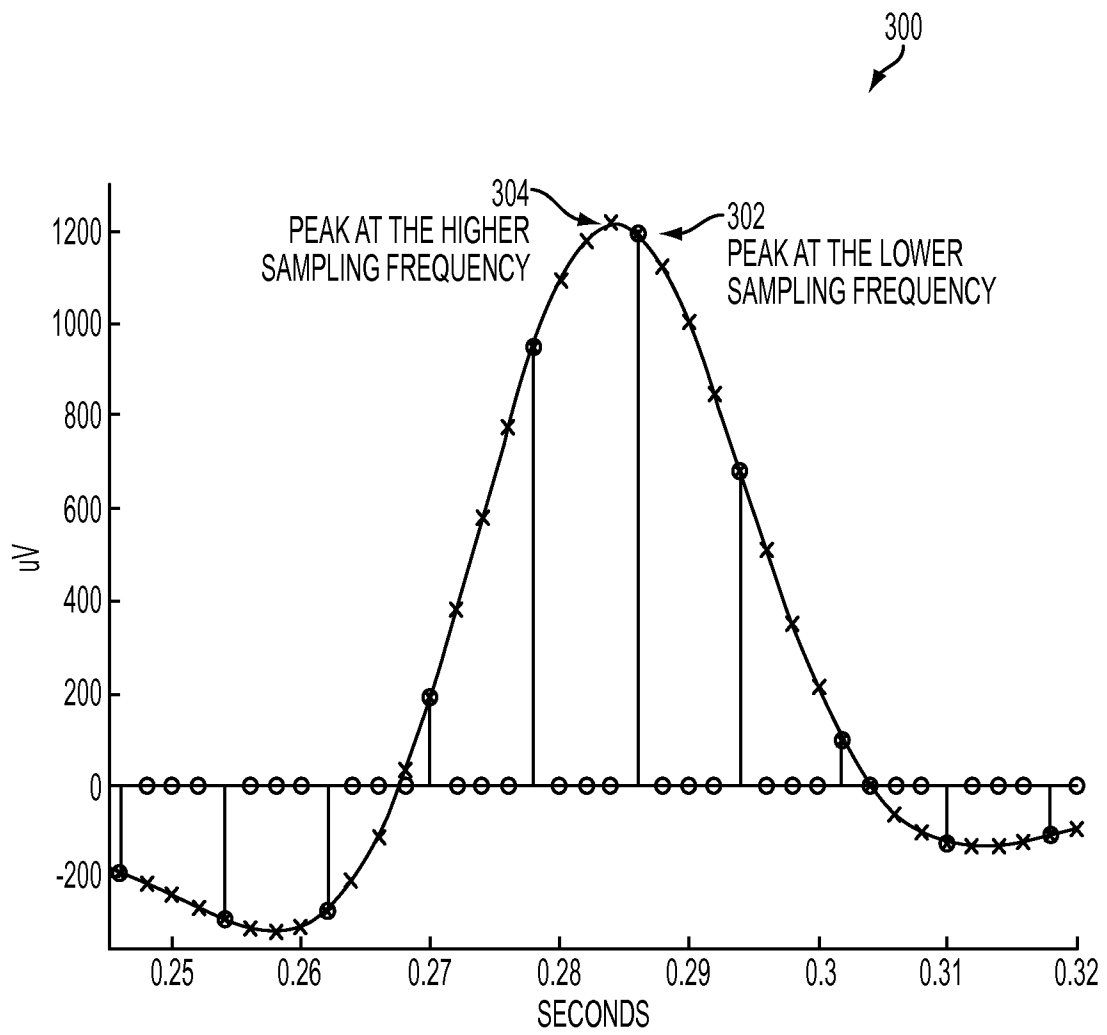


FIG. 3

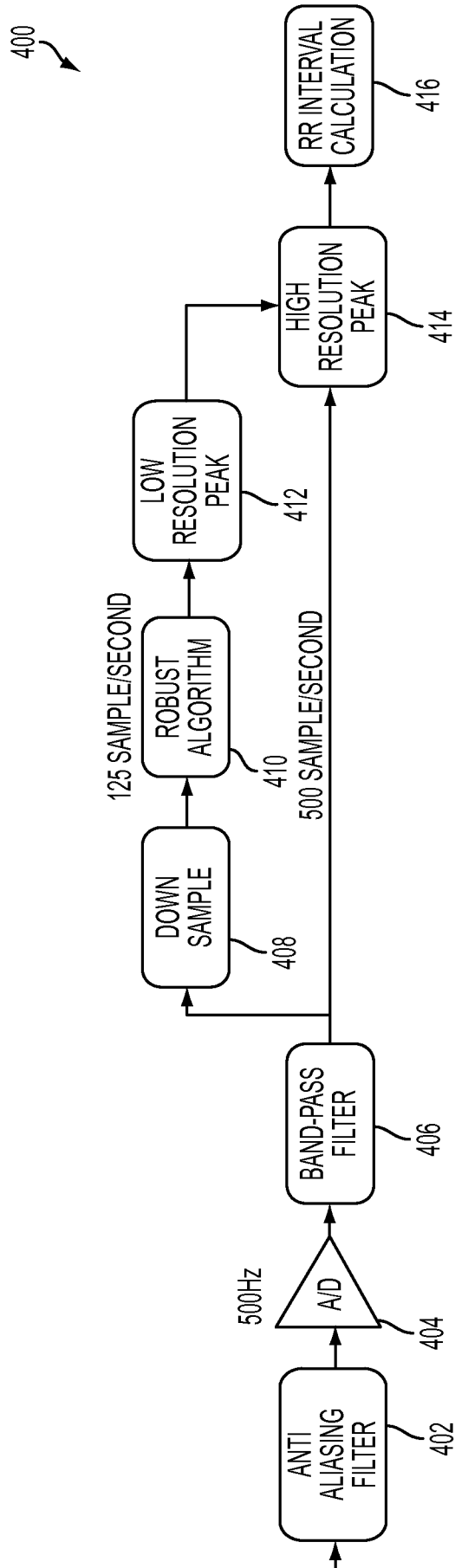


FIG. 4

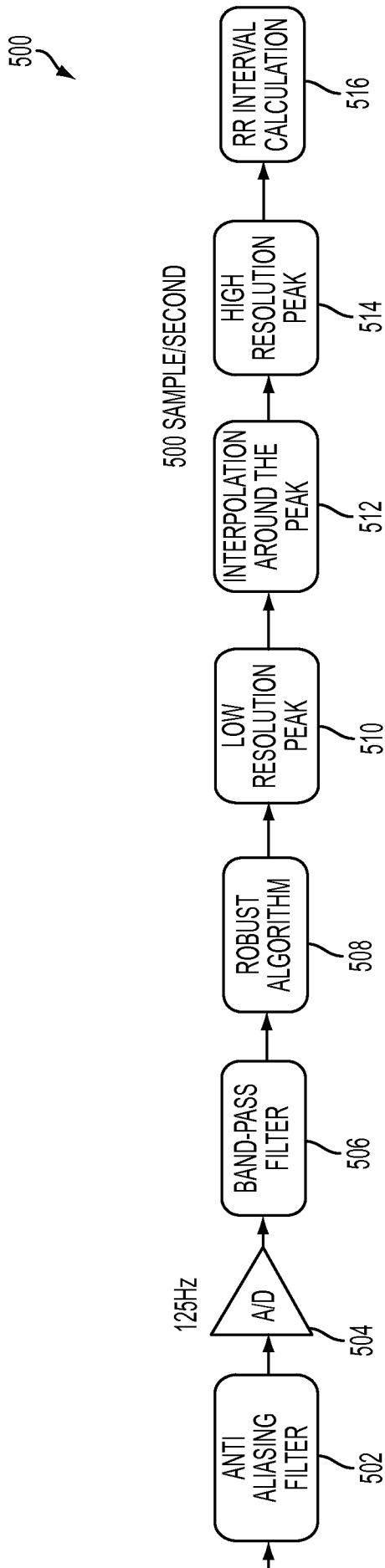


FIG. 5

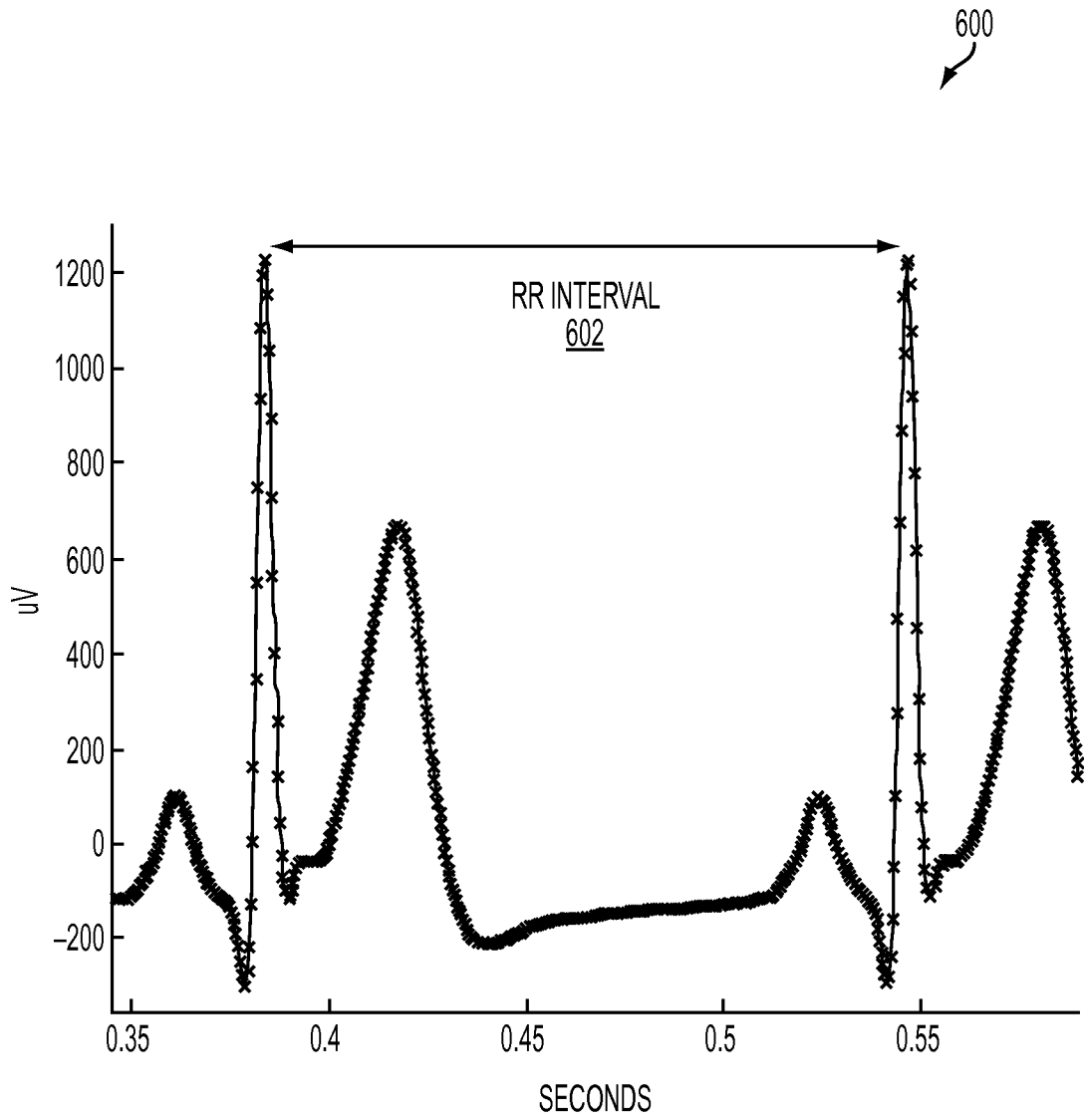


FIG. 6

**INTERNATIONAL SEARCH REPORT**

International application No.

PCT/US2013/058258

**A. CLASSIFICATION OF SUBJECT MATTER**

IPC(8) - A61B 5/0456 (2013.01)

USPC - 600/509

According to International Patent Classification (IPC) or to both national classification and IPC

**B. FIELDS SEARCHED**

Minimum documentation searched (classification system followed by classification symbols)

IPC(8) - A61B 5/04, A61B5/0402, A61B5/0428, A61B 5/0456 (2013.01)

USPC - 600/300, 600/508, 600/509, 705/2

Documentation searched other than minimum documentation to the extent that such documents are included in the fields searched

CPC - A61B 5/04, A61B 5/0428, A61B 5/0452, A61B 5/0456 (2013.01)

Electronic data base consulted during the international search (name of data base and, where practicable, search terms used)

Orbit, Google Patents, Google

**C. DOCUMENTS CONSIDERED TO BE RELEVANT**

Category*	Citation of document, with indication, where appropriate, of the relevant passages	Relevant to claim No.
Y	US 2011/0066053 A1 (YAZICIOGLU) 17 March 2011 (17.03.2011) entire document	1-20
Y	US 5,355,891 A (WATERIDGE et al) 18 October 1994 (18.10.1994) entire document	1-20
Y	US 2007/0260151 A1 (CLIFFORD) 08 November 2007 (08.11.2007) entire document	2-8, 14-19
Y	US 2012/0123232 A1 (NAJARIAN et al) 17 May 2012 (17.05.2012) entire document	11

Further documents are listed in the continuation of Box C.

\* Special categories of cited documents:

"A" document defining the general state of the art which is not considered to be of particular relevance

"E" earlier application or patent but published on or after the international filing date

"L" document which may throw doubts on priority claim(s) or which is cited to establish the publication date of another citation or other special reason (as specified)

"O" document referring to an oral disclosure, use, exhibition or other means

"P" document published prior to the international filing date but later than the priority date claimed

"T" later document published after the international filing date or priority date and not in conflict with the application but cited to understand the principle or theory underlying the invention

"X" document of particular relevance; the claimed invention cannot be considered novel or cannot be considered to involve an inventive step when the document is taken alone

"Y" document of particular relevance; the claimed invention cannot be considered to involve an inventive step when the document is combined with one or more other such documents, such combination being obvious to a person skilled in the art

"&" document member of the same patent family

Date of the actual completion of the international search

03 December 2013

Date of mailing of the international search report

**13 DEC 2013**

Name and mailing address of the ISA/US

Mail Stop PCT, Attn: ISA/US, Commissioner for Patents

P.O. Box 1450, Alexandria, Virginia 22313-1450

Facsimile No. 571-273-3201

Authorized officer:

Blaine R. Copenheaver

PCT Helpdesk: 571-272-4300

PCT OSP: 571-272-7774

专利名称(译)	使用多速率ECG处理的R-r间隔测量		
公开(公告)号	<a href="#">EP2892425A4</a>	公开(公告)日	2016-05-11
申请号	EP2013835966	申请日	2013-09-05
[标]申请(专利权)人(译)	维塔尔康奈克特公司		
申请(专利权)人(译)	VITAL CONNECT , INC.		
当前申请(专利权)人(译)	VITAL CONNECT , INC.		
[标]发明人	YANG YUN NARASIMHAN RAVI FERDOSI NIMA		
发明人	YANG, YUN NARASIMHAN, RAVI FERDOSI, NIMA		
IPC分类号	A61B5/0456 A61B5/00 A61B5/04 H03M1/12		
CPC分类号	A61B5/0456 A61B5/0006 A61B5/04017 A61B5/7232 A61B2560/0209		
优先权	13/607160 2012-09-07 US		
其他公开文献	EP2892425A1		
外部链接	<a href="#">Espacenet</a>		

#### 摘要(译)

公开了一种用于用户的R-R间隔测量的方法和系统。在第一方面，该方法包括检测用户的心电图 ( ECG ) 信号。该方法包括对ECG信号执行QRS峰值检测以获得低分辨率峰值并在低分辨率峰值附近搜索以获得高分辨率峰值。该方法包括基于高分辨率峰值计算R-R间隔测量值。在第二方面，无线传感器设备包括处理器和耦合到处理器的存储器设备，其中存储器设备包括应用程序，当由处理器执行时，该应用程序使处理器执行该方法的步骤。