

(19) World Intellectual Property Organization
International Bureau



(43) International Publication Date
7 May 2009 (07.05.2009)

PCT

(10) International Publication Number
WO 2009/059248 A1

(51) International Patent Classification:
A61B 5/00 (2006.01)

(74) Agents: COURTNEY, Geoffrey, T. et al.; Staniford and Practitioners of, Courtney Staniford & Gregory LLP, P.O.Box 9686, San Jose, CA 95157 (US).

(21) International Application Number:
PCT/US2008/082149

(81) Designated States (unless otherwise indicated, for every kind of national protection available): AE, AG, AL, AM, AO, AT, AU, AZ, BA, BB, BG, BH, BR, BW, BY, BZ, CA, CH, CN, CO, CR, CU, CZ, DE, DK, DM, DO, DZ, EC, EE, EG, ES, FI, GB, GD, GE, GH, GM, GT, HN, HR, HU, ID, IL, IN, IS, JP, KE, KG, KM, KN, KP, KR, KZ, LA, LC, LK, LR, LS, LT, LU, LY, MA, MD, ME, MG, MK, MN, MW, MX, MY, MZ, NA, NG, NI, NO, NZ, OM, PG, PH, PL, PT, RO, RS, RU, SC, SD, SE, SG, SK, SL, SM, ST, SV, SY, TJ, TM, TN, TR, TT, TZ, UA, UG, US, UZ, VC, VN, ZA, ZM, ZW.

(22) International Filing Date: 31 October 2008 (31.10.2008)

(25) Filing Language: English

(26) Publication Language: English

(30) Priority Data:
60/984,260 31 October 2007 (31.10.2007) US
60/984,268 31 October 2007 (31.10.2007) US

(71) Applicant (for all designated States except US): EM-SENSE CORPORATION [US/US]; 2600 Garden Road, Suite 222, Monterey, CA 93940 (US).

(84) Designated States (unless otherwise indicated, for every kind of regional protection available): ARIPO (BW, GH, GM, KE, LS, MW, MZ, NA, SD, SL, SZ, TZ, UG, ZM, ZW), Eurasian (AM, AZ, BY, KG, KZ, MD, RU, TJ, TM), European (AT, BE, BG, CH, CY, CZ, DE, DK, EE, ES, FI, FR, GB, GR, HR, HU, IE, IS, IT, LT, LU, LV, MC, MT, NL, NO, PL, PT, RO, SE, SI, SK, TR), OAPI (BF, BJ, CF, CG, CI, CM, GA, GN, GQ, GW, ML, MR, NE, SN, TD, TG).

(72) Inventors; and

(75) Inventors/Applicants (for US only): LEE, Hans, C. [US/US]; 2600 Garden Road, Suite 222, Monterey, CA 93940 (US). HONG, Timmie, T. [US/US]; 2600 Garden Road, Suite 222, Monterey, CA 93940 (US). MUNOZ, Juan, C. [US/US]; 2600 Garden Road, Suite 222, Monterey, CA 93940 (US).

Published:
— with international search report

(54) Title: SYSTEMS AND METHODS PROVIDING DISTRIBUTED COLLECTION AND CENTRALIZED PROCESSING OF PHYSIOLOGICAL RESPONSES FROM VIEWERS

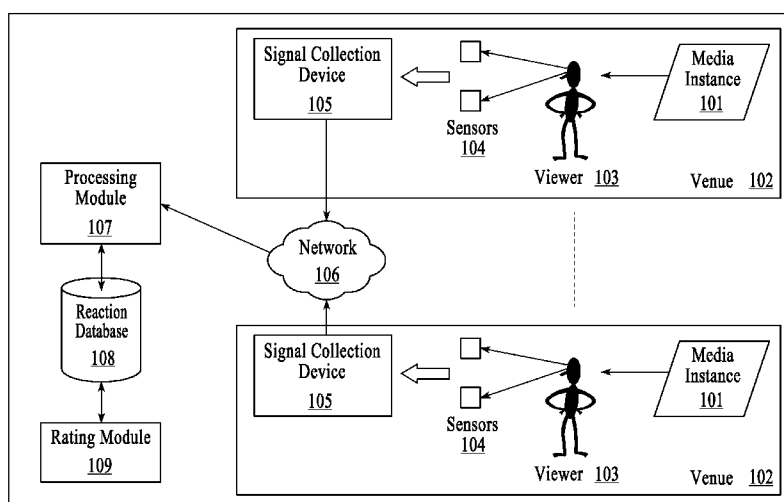


FIG.1

(57) Abstract: A novel approach enables a new type of sensing -"in persona" sensing, for large scale testing of a media instance via distributed collection and centralized processing of physiological data from each of a large number of viewers in his/her own setting. The physiological data can first be collected from each of the viewers fitted with one or more physiological sensors locally at the place where he/she is watching the media instance. The data collected from the viewers at these distributed locations can then all be transmitted to a centralized location for processing, aggregation, storage, and analysis.

WO 2009/059248 A1

SYSTEMS AND METHODS PROVIDING DISTRIBUTED COLLECTION AND
CENTRALIZED PROCESSING OF PHYSIOLOGICAL RESPONSES FROM VIEWERS

Inventors:
Hans C. Lee
Timmie T. Hong
Juan C. Munoz

RELATED APPLICATION

This application claims the benefit of United States (US) Patent Application Number 60/984,260, filed October 31, 2007.

This application claims the benefit of United States (US) Patent Application Number 60/984,268, filed October 31, 2007.

This application is related to the following US Patent Application Numbers:
11/804,517, 11/804,555, 11/779,814, 11/500,678, 11/845,993, 11/835,634, 11/846,068,
12/180,510, 12/206,676, 12/206,700, 12/206,702, 12/244,737, 12/244,748, 12/244,751,
12/244,752, 11/430,555, 11/681,265, 11/852,189, and 11/959,399.

TECHNICAL FIELD

This invention relates to the field of collection and analysis of physiological responses from viewers of media instances.

BACKGROUND

A key to making a high performing media instance is to make sure that every event in the media elicits the desired responses from viewers, not responses very different from what the creator of the media expected. Herein, the media instance can be but is not limited to, a video game, an advertisement clip, a movie, a computer application, a printed media (e.g., a magazine), a website, an online advertisement, a recorded video, a live performance of media, products, and other types of media relating to products and product development.

Physiological data, which includes but is not limited to heart rate, brain waves, electroencephalogram (EEG) signals, blink rate, breathing, motion, muscle movement, galvanic skin response and any other response correlated with changes in emotion or cognitive function of a viewer of a media instance, can give a trace (e.g., a line drawn by a recording instrument) of the viewer's responses while he/she is watching the media instance. The physiological data can be measured by one or more physiological sensors, each of which

can be but is not limited to, an electroencephalogram, an accelerometer, a blood oxygen sensor, a galvanometer, an electromyograph, skin temperature sensor, breathing sensor, and any other physiological sensor.

It is well established that physiological data in the human body of a viewer has been shown to correlate with the viewer's change in emotions. Thus, from the measured "low level" physiological data, "high level" (i.e., easier to understand, intuitive to look at) physiological responses from the viewers of the media instance can be created. An effective media instance that connects with its audience/viewers is able to elicit the desired emotional response. Here, the high level physiological responses include, but are not limited to, liking (valence) - positive/negative responses to events in the media instance, intent to purchase or recall, emotional engagement in the media instance, thinking - amount of thoughts and/or immersion in the experience of the media instance, adrenaline - anger, distraction, frustration, cognition, stress, and other emotional experiences to events in the media instance.

Collecting physiological responses to a media instance from the viewers typically requires bringing the viewers/testers to a testing facility, fitting them with multiple physiological sensors, and recording the physiological data from the viewers via various testing equipment while they are watching the media instance. One problem with such testing process is that only a small number of people can be tested for a specific media instance due to the limited capacity and/or availability of the testing facilities as well as the professionals required to administer the testing. The cost for such testing can also be quite expensive and the results may be less than accurate due to the limited scope of the testing. Furthermore, most conventional testing is performed in sterile and unrealistic environments that can lead to results that are less than ideal.

INCORPORATION BY REFERENCE

Each patent, patent application, and/or publication mentioned in this specification is herein incorporated by reference in its entirety to the same extent as if each individual patent, patent application, and/or publication was specifically and individually indicated to be incorporated by reference.

BRIEF DESCRIPTION OF THE DRAWINGS

Figure 1 is an illustration of an exemplary system to support large scale media testing, under an embodiment.

Figure 2 is a flow chart illustrating an exemplary process to support large scale media testing, under an embodiment.

Figure 3 shows an exemplary integrated headset that uses dry EEG electrodes and adopts wireless communication for data transmission, under an embodiment.

Figure 4 is a flow diagram of self-administering testing, under an embodiment.

Figure 5 is a system to support remote access and analysis of media and reactions from viewers, under an embodiment.

Figure 6 is a flow chart for remote access and analysis of media and reactions from viewers, under an embodiment.

Figure 7 shows one or more exemplary physiological responses aggregated from the viewers and presented in the response panel of the interactive browser, under an embodiment.

Figure 8 shows exemplary verbatim comments and feedbacks collected from the viewers and presented in the response panel of the interactive browser, under an embodiment.

Figure 9 shows exemplary answers to one or more survey questions collected from the viewers and presented as a pie chart in the response panel of the interactive browser, under an embodiment.

Figure 10 is a system to support providing actionable insights based on in-depth analysis of reactions from viewers, under an embodiment.

Figure 11 is a flow chart for providing actionable insights based on in-depth analysis of reactions from viewers, under an embodiment.

Figure 12 shows exemplary highlights and arrows representing trends in the physiological responses from the viewers as well as verbal explanation of such markings, under an embodiment.

Figure 13 is a system to support synchronization of media with physiological responses from viewers, under an embodiment.

Figure 14 is a flow chart for synchronization of media with physiological responses from viewers, under an embodiment.

Figure 15 is a system to support graphical presentation of verbatim comments from viewers, under an embodiment.

Figure 16 is a flow chart for graphical presentation of verbatim comments from viewers, under an embodiment.

Figure 17 is a system which uses a sensor headset which measures electrical activity to determine a present time emotional state of a user, under an embodiment.

Figure 18 is a perspective view of the sensor headset, under an embodiment.

Figure 19 is a block diagram of the sensor headset and a computer, under an embodiment.

Figure 20 is a circuit diagram of an amplifier of the sensor headset, under an embodiment.

Figure 21 is a circuit diagram of a filter stage of the sensor headset, under an embodiment.

Figure 22 is a circuit diagram of a resistor-capacitor RC filter of the sensor headset, under an embodiment.

Figure 23 is a circuit diagram of the amplifier, three filter stages and the RC filter of the sensor headset, under an embodiment.

Figure 24 is a block diagram of a digital processor of the sensor headset, under an embodiment.

DETAILED DESCRIPTION

Embodiments described herein enable "in persona" sensing for large scale testing of a media instance via distributed collection and centralized processing of physiological data from each of multiple viewers in his/her own setting. Viewers may also be referred to herein as participants and/or users. The physiological data can first be collected from each of the viewers fitted with one or more physiological sensors locally at a location where he/she is watching the media instance. The data collected from the viewers at these distributed locations can then all be transmitted to a centralized location for processing, aggregation, storage, and analysis.

In the following description, numerous specific details are introduced to provide a thorough understanding of, and enabling description for, the embodiments described herein. One skilled in the relevant art, however, will recognize that these embodiments can be practiced without one or more of the specific details, or with other components, systems, etc. In other instances, well-known structures or operations are not shown, or are not described in detail, to avoid obscuring aspects of the disclosed embodiments.

The invention is illustrated by way of example and not by way of limitation in the figures of the accompanying drawings in which like references indicate similar elements. It should be noted that references to "an" or "one" or "some" embodiment(s) in this disclosure are not necessarily to the same embodiment, and such references mean at least one.

Advertisers, media producers, educators and other relevant parties have long desired to have greater understanding of viewers' reactions to their media products from their targets, customers, clients and pupils in order to tailor their information or media instances to better suit the needs of end users and/or to increase the effectiveness of the media instance created. Under the proposed approach, the viewers no longer need to attend a testing session at a specific location where a testing facility is located and/or at a specific time when the testing facility or the person administering the testing session is available. On the contrary, physiological data can be collected from viewers everywhere, for a non-limiting example, in the comfort of their own homes. Due to greatly reduced barriers, testing of the media instance can now be conducted on a broader scale all over the country and around the world as more viewers than ever can now participate, making the evaluation of the media instance more objective and accurate.

The embodiments described herein, generally, automatically distribute media or a media instance for testing to each venue or site using, for example, a network coupling or connection (e.g., internet, local area network, wide area network, etc.). The media is tested on all participants or viewers, regardless of location at or in one or more venues; the testing may be autonomous without an administrator or, in some cases, may use a human administrator. During testing, physiological data is collected from the participants using one or more sensors and a signal collection device. The data is synchronized and packaged for transmission (e.g., packetized, encrypted, compressed, filtered, etc.), and transmitted from the signal collection device to a processing device using a network coupling or connection (e.g., internet, local area network, wide area network, etc.). The processing device derives one or more physiological responses of the viewers based on the physiological data, aggregates and analyzes the derived responses to the media instance from the viewers, and stores the physiological data, the derived physiological responses and/or the analysis results of the aggregated responses. These operations are described in detail below.

Figure 1 is a block diagram of a system to support large scale media testing, under an embodiment. Although this diagram depicts components as functionally separate, such depiction is merely for illustrative purposes. It will be apparent to those skilled in the art that the components portrayed in this figure can be arbitrarily combined or divided into separate software, firmware and/or hardware components. Furthermore, it will also be apparent to those skilled in the art that such components, regardless of how they are combined or divided,

can execute on the same computing device or multiple computing devices, and wherein the multiple computing devices can be connected by one or more networks.

Referring to Figure 1, each of a plurality of viewers 103 may watch the same media instance 101 individually and separately at a venue 102 of his/her own choosing. Here, the venue can be the scene or locale of viewing of the media instance, for example, a home or any other place where the viewer can watch the media instance in private (e.g., watching online using a personal computer, etc.), and a public place such as a sport bar where the viewer may watch TV commercials during game breaks. Generally, the venue can include any of disparate physical locations, disparate physical structures, disparate geographical locations, disparate geographical structures, and disparate rooms, areas or regions within a common structure. The media instance can be but is not limited to, a television program, an advertisement clip, a movie, a printed media (e.g., a magazine), a website, a video game, a computer application, and any type of media instance suitable for an individual viewing experience, an online advertisement, a recorded video, a live performance of media, and other types of media; as it relates to product analysis, the media instance can include a product, product content, content, product information, and media relating to consumer interaction with products or other objects. Each of the plurality of viewers 103 may wear one or more sensors 104 to receive, measure and record physiological data from the viewer who is watching and/or interacting with the media instance. Each of the one or more sensors can be one of an electroencephalogram, an accelerometer, a blood oxygen sensor, a heart sensor, a galvanometer, and an electromyograph, to name a few. While these sensors are provided as examples, the sensors 104 can include any other physiological sensor.

Once the physiological data is measured, the one or more sensors attached to the viewer may transmit the physiological data via communication with a signal collection device 105. The signal collection device 105 is located at or near the same venue in which the viewer 103 is watching the media instance, but is not so limited. Here, the wireless communication covering the short range at the venue can be but is not limited to, Bluetooth, Wi-Fi, wireless LAN, radio frequency (RF) transmission, and any other form of short range wireless communication, for example. Upon receiving or accepting the physiological data from the one or more sensors 104 attached to the viewer, the signal collection device 105 is operable to pre-process, organize, and/or package the data into a form suitable for transmission, and then transmit the data over a network 106 to a centralized processing module 107 for further processing, storage, and analysis at a location separate and maybe

remote from the distributed venues 102 where the data are collected. Here, the network can be but is not limited to, internet, intranet, wide area network (WAN), local area network (LAN), wireless network, and mobile communication network. The identity of the viewer is protected in an embodiment by stripping viewer identification information (e.g., name, address, etc.) from the data.

The processing module 107 accepts the physiological data from each of the plurality of viewers at distributed venues, derives one or more physiological responses based on the physiological data, aggregates and analyzes the derived responses to the media instance from the viewers, and stores the physiological data, the derived physiological responses and/or the analysis results of the aggregated responses in a reaction database 108. Optionally, a rating module 109 is operable to rate the media instance based on the physiological responses from the plurality of viewers.

Figure 2 is a flow chart of an exemplary process to support large scale media testing, under an embodiment. Although this figure depicts functional operations in a particular order for purposes of illustration, the process is not limited to any particular order or arrangement of operations. One skilled in the art will appreciate that the various operations portrayed in this figure could be omitted, rearranged, combined and/or adapted in various ways.

Referring to Figure 2, physiological data can be collected from a viewer watching a media instance individually and separately at his/her venue at 201. At 202, the collected physiological data from the viewer is transmitted wirelessly to a signal collection device at or near the venue he/she is watching the media instance. The physiological data is then pre-processed, packaged in proper form for transmission at 203, and transmitted over a network for centralized processing at a separate location at 204. At 205, the physiological data from each of a plurality of viewers at distributed venues are accepted, and one or more physiological responses are derived from the physiological data. The physiological data and/or the derived responses to the media instance can then be aggregated and/or analyzed at 206. Finally, the physiological data, the derived physiological responses, and the analysis results of the responses can be stored in a database at 207.

The embodiments described herein enable self-administering testing such that a participant can test themselves in numerous ways with little or no outside human intervention or assistance. This self-administering testing is made possible through the use of the integrated sensor headset, described herein, along with a sensor headset tutorial and automatic data quality detection, in an embodiment.

The sensor headset, or headset, integrates sensors into a housing which can be placed on a portion of the human body (e.g., human head, hand, arm, leg, etc.) for measurement of physiological data, as described in detail herein. The device includes at least one sensor and a reference electrode connected to the housing. A processor coupled to the sensor and the reference electrode receives signals that represent electrical activity in tissue of a user. The device includes a wireless transmitter that transmits the output signal to a remote device. The device therefore processes the physiological data to create the output signal that correspond to a person's mental and emotional state (response).

The integrated headset is shown in **Figure 3** and uses dry EEG electrodes and adopts wireless communication for data transmission. The integrated headset can be placed on the viewer's head for measurement of his/her physiological data while the viewer is watching the media instance. Referring to Figure 3, the integrated headset may include at least one or more of the following components: a processing unit 301, a motion detection unit 302, a stabilizing component 303, a set of EEG electrodes, a heart rate sensor 305, power handling and transmission circuitry 307, and an adjustable strap 308. Note that although motion detection unit, EEG electrodes, and heart rate sensor are used here as non-limiting examples of sensors, other types of sensors can also be integrated into the headset, wherein these types of sensors can be but are not limited to, electroencephalograms, blood oxygen sensors, galvanometers, electromyographs, skin temperature sensors, breathing sensors, and any other types of physiological sensors. The headset is described in detail below.

In some embodiments, the headset operates under the specifications for a suite of high level communication protocols, such as ZigBee. ZigBee uses small, low-power digital radios based on the IEEE 802.15.4 standard for wireless personal area network (WPAN). ZigBee is targeted at radio-frequency (RF) applications which require a low data rate, long battery life, and secure networking. ZigBee protocols are intended for use in embedded applications, such as the integrated headset, requiring low data rates and low power consumption.

In some embodiments, the integrated headsets on the viewers are operable to form a WPAN based on ZigBee, wherein such network is a general-purpose, inexpensive, self-organizing, mesh network that can be used for embedded sensing, data collection, etc. The resulting network among the integrated headsets uses relatively small amounts of power so each integrated headset might run for a year or two using the originally installed battery. Due to the limited wireless transmission range of each of the integrated headsets and the physical dimensions of the venue where a large number of viewers are gathering, not every integrated

headset has the power to transmit data to the signal collection device directly due to the physical distance between them. Under the WPAN formed among the integrated headsets, an integrated headset far away from the signal collection device may first transmit the data to other integrated headsets nearby. The data will then be routed through the network to headsets that are physically close to the signal collection device, and finally transmitted to the signal collection device from those headsets.

In some embodiments, the signal collection device at the venue and the processing module at a separate location can communicate with each other over a network. Here, the network can be but is not limited to, internet, intranet, wide area network (WAN), local area network (LAN), wireless network, and mobile communication network. The signal collection device refers to any combination of software, firmware, hardware, or other component that is used to effectuate a purpose.

Data transmission from the headset can be handled wirelessly through a computer interface to which the headset links. No skin preparation or gels are needed on the tester to obtain an accurate measurement, and the headset can be removed from the tester easily and be instantly used by another person. No degradation of the headset occurs during use and the headset can be reused thousands of times, allowing measurement to be done on many participants in a short amount of time and at low cost.

To assist the user in fitting and wearing the headset, an embodiment automatically presents a tutorial to a participant. The tutorial describes how to a participant how to fit the headset to his/her head and how to wear the headset during the testing. The tutorial may also describe the presentation of feedback corresponding to the detected quality of data received from the participant, as described below. The tutorial can be automatically downloaded to a computer belonging to the participant, where the computer is to be used as a component of media instance viewing and/or for collection of physiological data during media instance viewing.

The tutorial of an embodiment, for example, is automatically downloaded to the participant's computer, and upon being received, automatically loads and configures or sets up the participant's computer for media instance viewing and/or collection of physiological data during media instance viewing. The tutorial automatically steps through each of the things that a trained technician would do (if he/she were present) and checks the quality of the connections and placement while giving the user a very simple interface that makes them relax and be able to be in a natural environment. As an example, the tutorial instructs the

participant to do one or more of the following during fitting of the headset and preparation for viewing of a media instance: check wireless signal strength from the headset, check contact of sensors, check participant's state to make sure their heart isn't racing too much and they are relaxed. If anything relating to the headset or the participant is discovered during the tutorial as not being appropriate for testing to begin, the tutorial instructs the participant in how to fix the deficiency.

Self-administering testing is further enabled through the user of automatic data quality detection. With reference to Figure 1, the signal collection device 105 of an embodiment automatically detects data quality and provides to the participant, via a feedback display, one or more suggested remedies that correspond to any data anomaly detected in the participant's data. In providing feedback of data quality to a participant, the system automatically measures in realtime the quality of received data and provides feedback to the participant as to what actions to take if received data is less than optimal. The quality of the data is automatically determined using parameters of the data received from the sensors of the headset, and applying thresholds to these parameters.

As one example, the system can automatically detect a problem in a participant's data as indicated by the participant's blink rate exceeding a prespecified threshold. As another example, the system can automatically detect a problem in a participant's data as indicated by the participant's EEG, which is determined using the energy and size of the EEG, artifacts in the EEG. Further, the system can automatically detect problems in a participant's data using information of cardiac activity. In response to detected problems with a participant's data, the system automatically presents one or more remedies to the participant in response to the excessive blink rate. The suggested remedies presented can include any number and/or type of remedies that might reduce the blink rate to a nominal value. The participant is expected to follow the remedies and, in so doing, should eliminate the reception of any data that is less than optimal.

In addition to the automatic detection of problems with data received from a participant, the data can be use to determine if a potential participant is able or in appropriate condition to be tested. So, for example, if a participant's heart is racing or his/her eyes are blinking crazily and jittery, as indicated in the received data, the participant is not in a state to be tested and can be removed as a potential participant.

Figure 4 is a flow diagram of self-administering testing 402, under an embodiment. The participant or user activates the system and, in response, is presented 402 with a headset

tutorial that describes how to fit and wear the headset during testing. As the participant is viewing the media instance, data received from the participant is analyzed 404 for optimal quality. The reception of non-optimal data is detected 406 and, in response, data quality feedback is presented 408 to the participant. The data quality feedback includes one or more suggested remedies that correspond to the detected anomaly in the participant's data, as described above.

In some embodiments, the signal collection device can be a stand-alone data collection and transmitting device, such as a set-top box for a non-limiting example, with communication or network interfaces to communicate with both the sensors and the centralized processing module. Alternatively, the signal collection device can be embedded in or integrated with another piece of hardware, such as a TV, a monitor, or a DVD player that presents the media instance to the viewer for a non-limiting example. Here, the signal collection device refers to any combination of software, firmware, hardware, or other component that is used to effectuate a purpose.

In some embodiments, the signal collection device is operable to transmit only "meaningful" data to the centralized processing module in order to alleviate the burden on the network and/or the processing module by pre-processing the data collected from each viewer before transmission. In real application, it is inevitable that certain viewer(s) may not be paying attention to the media instance for its entire duration. For the purpose of evaluating the media instance, the data collected from a viewer during the time he/she was not looking or focusing on the screen/monitor displaying the media instance is irrelevant and should be removed. In an alternative embodiment, pre-processing can be performed by the processing module 107. In another alternative embodiment, pre-processing can be shared between the signal collection device 105 and the processing module 107

Pre-processing of the data collected includes, but is not limited to, filtering out "noise" in the physiological data collected from each viewer. The "noise" includes data for any statistically non-pertinent period of time when he/she was not paying attention to the media instance, so that only statistically pertinent moments and/or moments related to events in the media instance are transmitted. The processing module may convert the physiological data from time domain to frequency domain via Fourier Transform or any other type of transform commonly used for digital signal processing known to one skilled in the art. Once transformed into frequency domain, part of the section in the data that corresponds to a viewer's talking, head orientation, nodding off, sleeping, or any other types of motion causing

the viewer not to pay attention to the media instance can be identified via pattern recognition and other matching methods based on known models on human behaviors.

The system removes data that is less than optimal from the cumulative data set. Data removal includes removing all data of a user if the period for which the data is non-optimal exceeds a threshold, and also includes removing only non-optimal portions of data from the total data received from a participant. In removing non-optimal data, the system automatically removes artifacts for the various types of data collected (e.g., artifact removal for EEG data based on participant blinking, eye movement, physical movement, muscle noise, etc.). The artifacts used in assessing data quality in an embodiment are based on models known in the art.

In an embodiment, the signal collection device 105 automatically performs data quality analysis on incoming data from a sensor headset. The signal collection device 105 analyzes the incoming signal for artifacts in the sensor data (e.g., EEG sensors, heart sensors, etc.). The signal collection device 105 also uses the accelerometer data to measure movement of the participant, and determine any periods of time during which the participant has movement that exceeds a threshold. The data collected for a participant during a time period in which the participant was found to have “high” movement exceeding the threshold is segmented out or removed as being non-optimal data not suited for inclusion in the data set.

In an alternative embodiment, the processing module 107 automatically performs data quality analysis on incoming data from a sensor headset. The processing module 107 analyzes the incoming signal for artifacts in the sensor data (e.g., EEG sensors, heart sensors, etc.). The processing module 107 also uses the accelerometer data to measure movement of the participant, and determine any periods of time during which the participant has movement that exceeds a threshold. The data collected for a participant during a time period in which the participant was found to have “high” movement exceeding the threshold is segmented out or removed as being non-optimal data not suited for inclusion in the data set.

Pre-processing of the data collected includes, but is not limited to, synchronizing the data. The system of an embodiment synchronizes the data from each user to that of every other user to form the cumulative data. Additionally, the system synchronizes the cumulative data to the media instance with which it corresponds. The signal collection device 105 of the system synchronizes the time codes of all data being recorded, which then allows the cumulative data to be synchronized to the media instance (e.g., video) on playback. In so

doing, the system synchronizes the time code of each portion or instance of data to every other portion or instance of data so it is all comparable. The system then synchronizes the cumulative data stream to the media instance.

In performing synchronization, the stimuli (e.g., media instance) are recorded to generate a full record of the stimuli. A tagging system aligns the key points in the stimuli and associates these key points in the stimuli with the corresponding points in time, or instances, in the recorded data. Using this technique, offsets are determined and applied as appropriate to data received from each participant.

In an alternative embodiment, participants can be prompted to take, as a synchronizing event, some action (e.g., blink ten times) that can be detected prior to or at the beginning of the media instance. The data corresponding to each participant is then synchronized or aligned using the evidence of the synchronizing event in the data.

Pre-processing of the data collected additionally includes, but is not limited to, compressing the physiological data collected from each viewer. Sometimes, a viewer's reaction to events in a media instance may go "flat" for a certain period of time without much variation. Under such a scenario, the processing module may skip the non-variant portion of the physiological data and transmit only the portion of the physiological data showing variations in the viewer's emotional reactions to the centralized processing module.

Pre-processing of the data collected further includes, but is not limited to, summarizing the physiological data collected from each viewer. When physiological data are collected from a large group of viewers, the bandwidth of the network and/or the processing power of the processing module in real time can become a problem. To this end, the processing module may summarize the viewer's reactions to the media instance in conclusive terms and transmit only such conclusions instead of the physiological data over the entire duration of the media instance.

In some embodiments, the processing module is operable to run on a computing device, a communication device, or any electronic devices that are capable of running a software component. For non-limiting examples, a computing device can be but is not limited to, a laptop PC, a desktop PC, and a server machine.

In some embodiments, the processing module is operable to interpolate the "good" data of time period(s) when the viewer is paying attention to "cover" the identified "noise" or non-variant data that has been filtered out during pre-processing. The interpolation can be done via incremental adjustment of data during the "good" period adjacent in time to the

"noise" period. The physiological data from each viewer can be "smoothed" out over the entire duration of the media instance before being aggregated to derive the physiological responses of the viewers to evaluate the media instance.

In some embodiments, the reaction database stores pertinent data of the media instance the viewers were watching, in addition to their physiological data and/or derived physiological responses to the media instance. The pertinent data of each media instance that is being stored includes, but is not limited to, one or more of the actual media instance for testing (if applicable), events/moments break down of the media instance, and metadata of the media instance, which can include but is not limited to, production company, brand, product name, category (for non-limiting examples, alcoholic beverages, automobiles, etc), year produced, target demographic (for non-limiting examples, age, gender, income, etc) of the media instances.

In some embodiments, in addition to storing analysis results of the physiological responses to the media instance from the viewers, the reaction database may also include results of surveys asked for each of the plurality of viewers before, during and or after their viewing of the media instance.

In some embodiments, the rating module is operable to calculate a score for the media instance based on the physiological responses from the viewers. The score of the media instance is high if majority of the viewers respond positively to the media instance. On the other hand, the score of the media instance is low if majority of the viewers respond negatively to the media instance.

While physiological data is collected from participants using the system to support large scale media testing, described above, an embodiment enables remote and interactive access, navigation, and analysis of reactions from one or more viewers to a specific media instance. Here, the reactions include, but are not limited to, physiological responses, survey results, verbatim feedback, event-based metadata, and derived statistics for indicators of success and failure from the viewers. Upon collection of the physiological data from participating viewers, the reactions from the viewers are aggregated and stored in a database and are delivered to a user via a web-based graphical interface or application, such as a web browser.

Through the web-based graphical interface, or other network coupling, the user is able to remotely access and navigate the specific media instance, together with one or more of: the aggregated physiological responses that have been synchronized with the media instance, the

survey results, and the verbatim feedbacks related to the specific media instance. Instead of being presented with static data (such as a snapshot) of the viewers' reactions to the media instance, the user is now able to interactively divide, dissect, parse, and analysis the reactions in any way he/she prefer. The embodiments described herein provide automation that enables those who are not experts in the field of physiological analysis to understand and use physiological data by enabling these non-experts to organize the data and organize and improve presentation or visualization of the data according to their specific needs. In this manner, the embodiments herein provide an automated process that enables non-experts to understand complex data, and to organize the complex data in such a way as to present conclusions as appropriate to the media instance.

Having multiple reactions from the viewers (e.g., physiological responses, survey results, verbatim feedback, events tagged with metadata, etc.) available in one place and at a user's fingertips, along with the automated methods for aggregating the data provided herein, allows the user to view the reactions to hundreds of media instances in one sitting by navigating through them. For each of the media instances, the integration of multiple reactions provides the user with more information than the sum of each of the reactions to the media instance. For a non-limiting example, if one survey says that an ad is bad, that is just information; but if independent surveys, verbatim feedbacks and physiological data across multiple viewers say the same, the reactions to the media instance become more trustworthy. By combining this before a user sees it, the correct result is presented to the user.

A number of processing and pre-processing applications are described above, but the components of embodiments described herein are not limited to the applications described above. For example, any application described above as processing, can be executed as pre-processing. Further, any application described above as pre-processing, can be executed as processing. Moreover, any application requiring processing can be shared between processing and pre-processing components or activities. Additionally, the signal processing and other processing described in the Related Applications can be executed as part of the processing and/or pre-processing described herein.

Upon collection of the physiological data, as described above, an embodiment enables remote and interactive access, navigation, and analysis of reactions from one or more viewers to a specific media instance. Here, the reactions include, but are not limited to, physiological responses, survey results, verbatim feedback, event-based metadata, and derived statistics for indicators of success and failure from the viewers. The reactions from the viewers are

aggregated and stored in a database and are delivered to a user via a web-based graphical interface or application, such as a Web browser. Through the web-based graphical interface, the user is able to remotely access and navigate the specific media instance, together with one or more of: the aggregated physiological responses that have been synchronized with the media instance, the survey results, and the verbatim feedbacks related to the specific media instance. Instead of being presented with static data (such as a snapshot) of the viewers' reactions to the media instance, the user is now able to interactively divide, dissect, parse, and analysis the reactions in any way he/she prefer. The embodiments herein provides automation that enables those who are not experts in the field of physiological analysis to understand and use physiological data by enabling these non-experts to organize the data and organize and improve presentation or visualization of the data according to their specific needs. In this manner, the embodiments herein provide an automated process that enables non-experts to understand complex data, and to organize the complex data in such a way as to present conclusions as appropriate to the media instance.

Having multiple reactions from the viewers (e.g., physiological responses, survey results, verbatim feedback, events tagged with metadata, etc.) available in one place and at a user's fingertips, along with the automated methods for aggregating the data provided herein, allows the user to view the reactions to hundreds of media instances in one sitting by navigating through them. For each of the media instances, the integration of multiple reactions provides the user with more information than the sum of each of the reactions to the media instance. For a non-limiting example, if one survey says that an ad is bad, that is just information; but if independent surveys, verbatim feedbacks and physiological data across multiple viewers say the same, the reactions to the media instance become more trustworthy. By combining this before a user sees it, the correct result is presented to the user.

Figure 5 is an illustration of an exemplary system to support automated remote access and analysis of media and reactions from viewers, under an embodiment. Although this diagram depicts components as functionally separate, such depiction is merely for illustrative purposes. It will be apparent to those skilled in the art that the components portrayed in this figure can be arbitrarily combined or divided into separate software, firmware and/or hardware components. Furthermore, it will also be apparent to those skilled in the art that such components, regardless of how they are combined or divided, can execute on the same computing device or multiple computing devices, and wherein the multiple computing devices can be connected by one or more networks.

Referring to Figure 5, an authentication module 5102 is operable to authenticate identity of a user 5101 requesting access to a media instance 5103 together with one or more reactions 5104 from a plurality of viewers of the media instance remotely over a network 106. Here, the media instance and its pertinent data can be stored in a media database 5105, and the one or more reactions from the viewers can be stored in a reaction database 5106, respectively. The network 106 can be, but is not limited to, one or more of the internet, intranet, wide area network (WAN), local area network (LAN), wireless network, Bluetooth, and mobile communication networks. Once the user is authenticated, a presentation module 5108 is operable to retrieve and present the requested information (e.g., the media instance together with one or more reactions from the plurality of viewers) to the user via an interactive browser 5109. The interactive browser 5109 comprises at least two panels including a media panel 5110, which is operable to present, play, and pause the media instance, and a response panel 5111, which is operable to display the one or more reactions corresponding to the media instance, and provide the user with a plurality of features to interactively divide, dissect, parse, and analysis the reactions.

Figure 6 is a flow chart illustrating an exemplary process to support remote access and analysis of media and reactions from viewers. Although this figure depicts functional operations in a particular order for purposes of illustration, the process is not limited to any particular order or arrangement of operations. One skilled in the art will appreciate that the various operations portrayed in this figure could be omitted, rearranged, combined and/or adapted in various ways.

Referring to Figure 6, a media instance and one or more reactions to the instance from a plurality of viewers are stored and managed in one or more databases at 601. Data or information of the reactions to the media instance is obtained or gathered from each user via a sensor headset, as described herein and in the Related Applications. At 602, the identity of a user requesting access to the media instance and the one or more reactions remotely is authenticated. At 603, the requested media instance and the one or more reactions are retrieved and delivered to the user remotely over a network (e.g., the Web). At 604, the user may interactively aggregate, divide, dissect, parse, and analyze the one or more reactions to draw conclusions about the media instance.

In some embodiments, alternative forms of access to the one or more reactions from the viewers other than over the network may be adopted. For non-limiting examples, the

reactions can be made available to the user on a local server on a computer or on a recordable media such as a DVD disc with all the information on the media.

In some embodiments, with reference to Figure 5, an optional analysis module 5112 is operable to perform in-depth analysis on the viewers' reactions to a media instance as well as the media instance itself (e.g., dissecting the media instance into multiple scenes/events/sections). Such analysis provides the user with information on how the media instance created by the user is perceived by the viewers. In addition, the analysis module is also operable to categorize viewers' reactions into the plurality of categories.

In some embodiments, user database 5113 stores information of users who are allowed to access the media instances and the reactions from the viewers, and the specific media instances and the reactions each user is allowed to access. The access module 5106 may add or remove a user for access, and limit or expand the list of media instances and/or reactions the user can access and/or the analysis features the user can use by checking the user's login name and password. Such authorization/limitation on a user's access can be determined to based upon who the user is, e.g., different amounts of information for different types of users. For a non-limiting example, Company ABC can have access to certain ads and survey results of viewers' reactions to the ads, which Company XYZ can not or have only limited access to.

In some embodiments, one or more physiological responses aggregated from the viewers can be presented in the response panel 7111 as lines or traces 7301 in a two-dimensional graph or plot as shown in **Figure 7**. Horizontal axis 7302 of the graph represents time, and vertical axis 7303 of the graph represents the amplitude (intensity) of the one or more physiological responses. Here, the one or more physiological responses are aggregated over the viewers via one or more of: max, min, average, deviation, or a higher ordered approximation of the intensity of the physiological responses from the viewers. The responses are synchronized with the media instance at each and every moment over the entire duration of the media instance, allowing the user to identify the second-by second changes in viewers' emotions and their causes. A cutting line 7304 marks the physiological responses from the viewers corresponding to the current scene (event, section, or moment in time) of the media instance. The cutting line moves in coordination with the media instance being played.

In some embodiments, change (trend) in amplitude of the aggregated responses is also a good measure of the quality of the media instance. If the media instance is able to change

viewers emotions up and down in a strong manner (for a non-limiting example, mathematical deviation of the response is large), such strong change in amplitude corresponds to a good media instance that puts the viewers into different emotional states. In contrast, a poor performing media instance does not put the viewers into different emotional states. The amplitudes and the trend of the amplitudes of the responses are good measures of the quality of the media instance. Such information can be used by media designers to identify if the media instance is eliciting the desired response and which key events/scenes/sections of the media instance need to be changed in order to match the desired response. A good media instance should contain multiple moments/scenes/events that are intense and produce positive amplitude of response across viewers. A media instance that failed to create such responses may not achieve what the creators of the media instance have intended.

In some embodiments, other than providing a second by second view for the user to see how specific events in the media instance affect the viewers' emotions, the aggregated responses collected and calculated can also be used for the compilation of aggregate statistics, which are useful in ranking the overall affect of the media instance. Such statistics include but are not limited to Average Liking and Heart Rate Deviation.

In some embodiments, the viewers of the media instance are free to write comments (e.g., what they like, what they dislike, etc.) on the media instance, and the verbatim (free flowing text) comments or feedbacks 501 from the viewers can be recorded and presented in a response panel 7111 as shown in **Figure 8**. Such comments can be prompted, collected, and recorded from the viewers while they are watching the specific media instance and the most informative ones are put together and presented to the user. The user may then analyze, and digest keywords in the comments to obtain a more complete picture of the viewers' reactions. In addition, the user can search for specific keywords he/she is interested in about the media instance, and view only those comments containing the specified keywords.

In some embodiments, the viewers' comments about the media instance can be characterized as positive or negative in a plurality of categories/topics/aspects related to the product, wherein such categories include but are not limited to, product, event, logo, song, spokesperson, jokes, narrative, key events, storyline. These categories may not be predetermined, but instead be extracted from the analysis of their comments.

In some embodiments, answers to one or more survey questions 503 aggregated from the viewers can be rendered graphically, for example, by being presented in the response panel 7111 in a graphical format 502 as shown in **Figure 9**. Alternatively, a graphical format

can be used to display the response distribution of viewers asked to rate an advertisement. The graphical format can be but is not limited to, a bar graph, a pie chart, a histogram, or any other suitable graph type.

In some embodiments, the survey questions can be posed or presented to the viewers while they are watching the specific media instance and their answers to the questions are collected, recorded, summed up by pre-defined categories via a surveying module 5114 (Figure 5). Once the survey results are made available to the user (creator of the media instance), the user may pick any of the questions, and be automatically presented with survey results corresponding to the question visually to the user. The user may then view and analyze how viewers respond to specific questions to obtain a more complete picture of the viewers' reactions.

In some embodiments, many different facets of the one or more reactions from the viewers described above can be blended into a few simple metrics that the user can use to see how it is currently positioned against the rest of their industry. For the user, knowing where it ranks in its industry in comparison to its competition is often the first step in getting to where it wants to be. For a non-limiting example, in addition to the individual survey results of a specific media instance, the surveying module may also provide the user with a comparison of survey results and statistics to multiple media instances. This automation allows the user not only to see the feedback that the viewers provided with respect to the specific media instance, but also to evaluate how the specific media instance compares to other media instances designed by the same user or its competitors. As an example, a graph displaying the percentages of viewers who "liked" or "really liked" a set of advertisements can help to determine if a new ad is in the top quartile with respect to other ads.

An embodiment provides a user not only with tools for accessing and obtaining a maximum amount of information out of reactions from a plurality of viewers to a specific media instance, but also with actionable insights on what changes the user can make to improve the media instance based on in-depth analysis of the viewers' reactions. Such analysis requires expert knowledge on the viewers' physiological behavior and large amounts of analysis time, which the user may not possess. Here, the reactions include but are not limited to, physiological responses, survey results, and verbatim feedbacks from the viewers, to name a few. The reactions from the viewers are aggregated and stored in a database and presented to the user via a graphical interface, as described above. The embodiment includes predefined methods for extracting information from the reactions and presenting that

information so that the user is not required to be an expert in physiological data analysis to reach and understand conclusions supported by the information. Making in-depth analysis of reactions to media instances and actionable insights available to a user enables a user who is not an expert in analyzing physiological data to obtain critical information that can have significant commercial and socially positive impacts.

Figure 10 is an illustration of an exemplary system to support providing actionable insights based on in-depth analysis of reactions from viewers. Although this diagram depicts components as functionally separate, such depiction is merely for illustrative purposes. It will be apparent to those skilled in the art that the components portrayed in this figure can be arbitrarily combined or divided into separate software, firmware and/or hardware components. Furthermore, it will also be apparent to those skilled in the art that such components, regardless of how they are combined or divided, can execute on the same computing device or multiple computing devices, and wherein the multiple computing devices can be connected by one or more networks.

Referring to Figure 10, a collection module 1803 is operable to collect, record, store and manage one or more reactions 1802 from a plurality of viewers of a media instance 1801. The viewers from whom reactions 1802 are collected can be in the same physical location or different physical locations. Additionally, the viewers can be viewing the media instance and the reactions collected at the same time, or at different times (e.g., viewer 1 is viewing the media instance at 9 AM while viewer 2 is viewing the media instance at 3 PM). Data or information of the reactions to the media instance is obtained or gathered from each user via a sensor headset. The sensor headset of an embodiment integrates sensors into a housing which can be placed on a human head for measurement of physiological data. The device includes at least one sensor and can include a reference electrode connected to the housing. A processor coupled to the sensor and the reference electrode receives signals that represent electrical activity in tissue of a user. The processor generates an output signal including data of a difference between an energy level in each of a first and second frequency band of the signals. The difference between energy levels is proportional to release level present time emotional state of the user. The headset includes a wireless transmitter that transmits the output signal to a remote device. The headset therefore processes the physiological data to create the output signal that correspond to a person's mental and emotional state (reactions or reaction data). An example of a sensor headset is described in US Patent Application

numbers 12/206,676, filed September 8, 2008, 11/804,517, filed May 17, 2007, and 11/681,265, filed March 2, 2007.

The media instance and its pertinent data can be stored in a media database 1804, and the one or more reactions from the viewers can be stored in a reaction database 1805, respectively. An analysis module 1806 performs in-depth analysis on the viewers' reactions and provides actionable insights on the viewers' reactions to a user 1807 so that the user can draw its own conclusion on how the media instance can/should be improved. A presentation module 1808 is operable to retrieve and present the media instance 1801 together with the one or more reactions 1802 from the viewers of the media instance via an interactive browser 1809. Here, the interactive browser includes at least two panels: a media panel 1810, operable to present, play, and pause the media instance; and a reaction panel 1811, operable to display the one or more reactions corresponding to the media instance as well as the key insights provided by the analysis module 1806.

Figure 11 is a flow chart illustrating an exemplary automatic process to support providing actionable insights based on in-depth analysis of reactions from viewers. Although this figure depicts functional operations in a particular order for purposes of illustration, the process is not limited to any particular order or arrangement of operations. One skilled in the art will appreciate that the various operations portrayed in this figure could be omitted, rearranged, combined and/or adapted in various ways.

Referring to Figure 11, one or more reactions to a media instance from a plurality of viewers are collected, stored and managed in one or more databases at 1101. At 1102, in-depth analysis is performed on the viewers' reactions using expert knowledge, and actionable insights are generated based on the viewers' reactions and provided to a user at 1103 so that the user can draw its own conclusion on the media instance can/should be improved. At 1104, the one or more reactions can be presented to the user together with the actionable insights to enable the user to draw its own conclusions about the media instance. The configuration used to present the reactions and actionable insights can be saved and tagged with corresponding information, allowing it to be recalled and used for similar analysis in the future.

In some embodiments, the analysis module is operable to provide insights or present data based in-depth analysis on the viewers' reactions to the media instance on at least one question. An example question is whether the media instance performs most effectively across all demographic groups or especially on a specific demographic group, e.g., older

women? Another example question is whether certain elements of the media instance, such as loud noises, were very effective at engaging viewers in a positive, challenging way? Yet another example question is whether thought provoking elements in the media instance were much more engaging to viewers than product shots? Also, an example question includes whether certain characters, such as lead female characters, appearing in the media instance were effective for male viewers and/or across target audiences in the female demographic? Still another example question includes whether physiological responses to the media instance from the viewers were consistent with viewers identifying or associating positively with the characters in the media instance? A further question is whether the media instance was universal – performed well at connecting across gender, age, and income boundaries, or highly polarizing?

The analysis module therefore automates the analysis through use of one or more questions, as described above. The questions provide a context for analyzing and presenting the data or information received from viewers in response to the media instance. The analysis module is configured, using the received data, to answer some number of questions, where answers to the questions provide or correspond to the collected data. When a user desires results from the data for a particular media instance, the user selects a question to which they desire an answer for the media instance. In response to the question selection, the results of the analysis are presented in the form of an answer to the question, where the answer is derived or generated using the data collected and corresponding to the media instance. The results of the analysis can be presented using textual and/or graphical outputs or presentations. The results of the analysis can also be generated and presented using previous knowledge of how to represent the data to answer the question, the previous knowledge coming from similar data analyzed in the past. Furthermore, presentation of data of the media instance can be modified by the user through user or generation of other questions.

The analysis module performs the operations described above in conjunction with the presentation module, where the presentation module includes numerous different renderings for data. In operation, a rendering is specified or selected for a portion of data of a media instance, and the rendering is then tagged with one or more questions that apply to the data. This architecture allows users to modify how data is represented using a set of tools. The system remembers or stores information of how data was represented and the question or question type that was being answered. This information of prior system configurations

allows the system, at a subsequent time, to self-configure to answer the same or similar questions for the same media instance or for different media instances. Users thus continually improve the ability of the system to answer questions and improve the quality of data provided in the answers.

In some embodiments, with reference to **Figure 12**, the presentation module is operable to enable the user to pick a certain section 1001 of the reactions to the media instance 1002, such as the physiological responses 1003 from the viewers shown in the reaction panel 1011 via, for a non-limiting example, "shading". The analysis module 1006 may then perform the analysis requested on the shaded section of media instance and/or physiological responses automatically to illustrate the responses in a way that a lay person can take advantage of expert knowledge in parsing the viewers' reaction. The analyzed results can then be presented to the user in real time and can be shared with other people.

In some embodiments, the analysis module is operable to analyze the shaded section of the media instance and/or responses by being preprogrammed either by an analyst or the user themselves. Usually, a user is most often interested in a certain number of attributes of the viewers' responses. The analysis module provides the user with insights, conclusions, and findings that they can review from the bottom up. Although the analysis result provides inside and in-depth analysis of the data as well as various possible interpretations of the shaded section of the media instance, which often leaves a conclusion evident, such analysis, however, is no substitute for reaching conclusion by the user. Instead the user is left to draw his/her own conclusion about the section based on the analysis provided.

In some embodiments, a user may pick a section and choose one of the questions/tasks/requests 1004 that he/she is interested in from a prepared list. The prepared list of questions may include but is not limited to any number of questions. Some example questions follow along with a response evoked in the analysis module.

An example question is "Where were there intense responses to the media instance?" In response the analysis module may calculate the intensity of the responses automatically by looking for high coherence areas of responses.

Another example question is "Does the media instance end on a happy note?" or "Does the audience think the event (e.g., joke) is funny?" In response the analysis module may check if the physiological data shows that viewer acceptance or approval is higher in the end than at the beginning of the media instance.

Yet another example question is "Where do people engage in the spot?" In response to this question the analysis module may check if there is a coherent change in viewers' emotions.

Still another example question is "What is the response to the brand moment?" In response the analysis module may check if thought goes up, but acceptance or approval goes down during the shaded section of the media.

An additional example question is "Which audience does the product introduction work on best?" In response the analysis module analyzes the responses from various segments of the viewers, which include but are not limited to, males, females, gamers, republicans, engagement relative to an industry, etc.

In some embodiments, the presentation module (Figure 10, 1807) is operable to present the analysis results in response to the questions raised together with the viewers' reactions to the user graphically on the interactive browser. For non-limiting examples, line highlights 1005 and arrows 1006 representing trends in the physiological responses from the viewers can be utilized as shown in Figure 12, where highlights mark one or more specific physiological responses to be analyzed and the up/down arrows indicate rise/fall in the corresponding responses. In addition, other graphic markings can also be used, which can be but are not limited to, text boxes, viewing data from multiple groups at once (comparing men to women) and any graphic tools that are commonly used to mark anything important. For another non-limiting example, a star, dot and/or other graphic element may be used to mark the point where there is the first coherent change and a circle may be used to mark the one with the strongest response.

In some embodiments, verbal explanation 1007 of the analysis results in response to the questions raised can be provided to the user together with graphical markings shown in Figure 12. Such verbal explanation describes the graphical markings (e.g., why an arrow rises, details about the arrow, etc.). For the non-limiting example of an advertisement video clip shown in Figure 12, verbal explanation 1007 states that "Thought follows a very regular sinusoidal pattern throughout this advertisement. This is often a result of tension-resolution cycles that are used to engage viewers by putting them in situations where they are forced to think intensely about what they are seeing and then rewarding them with the resolution of the situation." For another non-limiting example of a joke about a man hit by a thrown rock, the verbal explanation may resemble something like: "The falling of the man after being hit by a rock creates the initial coherent, positive response in liking. This shows that the actual rock

throw is not funny, but the arc that the person's body takes is. After the body hits the ground, the response reverts to neutral and there are no further changes in emotions during this section."

In some embodiments, with reference to Figure 10, an optional authentication module 1813 is operable to authenticate identity of the user requesting access to the media instance and the verbatim reactions remotely over a network 1812. Here, the network can be but is not limited to, internet, intranet, wide area network (WAN), local area network (LAN), wireless network, Bluetooth, and mobile communication network.

In some embodiments, optional user database 1814 stores information of users who are allowed to access the media instances and the verbatim reactions from the viewers, and the specific media instances and the reactions each user is allowed to access. The access module 1810 may add or remove a user for access, and limit or expand the list of media instances and/or reactions the user can access and/or the analysis features the user can use by checking the user's login name and password. Such authorization/limitation on a user's access can be determined to based upon who the user is, e.g., different amounts of information for different types of users. For a non-limiting example, Company ABC can have access to certain ads and feedbacks from viewers' reactions to the ads, to which Company XYZ can not have access or can have only limited access.

An embodiment synchronizes a specific media instance with physiological responses to the media instance from a plurality of viewers continuously over the entire time duration of the media instance. Once the media instance and the physiological responses are synchronized, an interactive browser enables a user to navigate through the media instance (or the physiological responses) in one panel while presenting the corresponding physiological responses (or the section of the media instance) at the same point in time in another panel.

The interactive browser allows the user to select a section/scene from the media instance, correlate, present, and compare the viewers' physiological responses to the particular section. Alternatively, the user may monitor the viewers' physiological responses continuously as the media instance is being displayed. Being able to see the continuous (instead of static snapshot of) changes in physiological responses and the media instance side by side and compare aggregated physiological responses from the viewers to a specific event of the media instance in an interactive way enables the user to obtain better understanding of the true reaction from the viewers to whatever stimuli being presented to them.

Figure 13 is an illustration of an exemplary system to support synchronization of media with physiological responses from viewers of the media. Although this diagram depicts components as functionally separate, such depiction is merely for illustrative purposes. It will be apparent to those skilled in the art that the components portrayed in this figure can be arbitrarily combined or divided into separate software, firmware and/or hardware components. Furthermore, it will also be apparent to those skilled in the art that such components, regardless of how they are combined or divided, can execute on the same computing device or multiple computing devices, and wherein the multiple computing devices can be connected by one or more networks.

Referring to Figure 13, a synchronization module 1303 is operable to synchronize and correlate a media instance 1301 with one or more physiological responses 1302 aggregated from one or more viewers of the media instance continuously at each and every moment over the entire duration of the media instance. Here, the media instance and its pertinent data can be stored in a media database 1304, and the one or more physiological responses aggregated from the viewers can be stored in a reaction database 1305, respectively. An interactive browser 1306 comprises at least two panels including a media panel 1307, which is operable to present, play, and pause the media instance, and a reaction panel 1308, which is operable to display and compare the one or more physiological responses (e.g., Adrenaline, Liking, and Thought) corresponding to the media instance as lines (traces) in a two-dimensional line graph. A horizontal axis of the graph represents time, and a vertical axis represents the amplitude (intensity) of the one or more physiological responses. A cutting line 1309 marks the physiological responses from the viewers to the current scene (event, section, or moment in time) of the media instance, wherein the cutting line can be chosen by the user and move in coordination with the media instance being played. The interactive browser enables the user to select an event/section/scene/moment from the media instance presented in the media panel 1307 and correlate, present, and compare the viewers' physiological responses to the particular section in the reaction panel 1308. Conversely, interactive browser also enables the user to select the cutting line 1309 of physiological responses from the viewers in the reaction panel 1308 at any specific moment, and the corresponding media section or scene can be identified and presented in the media panel 1307.

The synchronization module 1303 of an embodiment synchronizes and correlates a media instance 1301 with one or more physiological responses 1302 aggregated from a plurality of viewers of the media instance by synchronizing each event of the media. The

physiological response data of a person includes but is not limited to heart rate, brain waves, electroencephalogram (EEG) signals, blink rate, breathing, motion, muscle movement, galvanic skin response, skin temperature, and any other physiological response of the person. The physiological response data corresponding to each event or point in time is then retrieved from the media database 1304. The data is offset to account for cognitive delays in the human brain corresponding to the signal collected (e.g., the cognitive delay of the brain associated with human vision is different than the cognitive delay associated with auditory information) and processing delays of the system, and then synchronized with the media instance 1301. Optionally, an additional offset may be applied to the physiological response data 1302 of each individual to account for time zone differences between the view and reaction database 1305.

Figure 14 is a flow chart illustrating an exemplary process to support synchronization of media with physiological responses from viewers of the media. Although this figure depicts functional operations in a particular order for purposes of illustration, the process is not limited to any particular order or arrangement of operations. One skilled in the art will appreciate that the various operations portrayed in this figure could be omitted, rearranged, combined and/or adapted in various ways.

Referring to Figure 14, a media instance is synchronized with one or more physiological responses aggregated from a plurality of viewers of the media instance continuously at each and every moment over the entire duration of the media instance at 1401. At 1402, the synchronized media instance and the one or more physiological responses from the viewers are presented side-by-side. An event/section/scene/moment from the media instance can be selected at 1403, and the viewers' physiological responses to the particular section can be correlated, presented, and compared at 1404. Alternatively, the viewers' physiological responses can be monitored continuously as the media instance is being displayed at 1405.

In some embodiments, with reference to Figure 13, an aggregation module 1310 is operable to retrieve from the reaction database 1305 and aggregate the physiological responses to the media instance across the plurality of viewers and present each of the aggregated responses as a function over the duration of the media instance. The aggregated responses to the media instance can be calculated via one or more of: max, min, average, deviation, or a higher ordered approximation of the intensity of the physiological responses from the viewers.

In some embodiments, change (trend) in amplitude of the aggregated responses is a good measure of the quality of the media instance. If the media instance is able to change viewers emotions up and down in a strong manner (for a non-limiting example, mathematical deviation of the response is large), such strong change in amplitude corresponds to a good media instance that puts the viewers into different emotional states. In contrast, a poor performing media instance does not put the viewers into different emotional states. Such information can be used by media designers to identify if the media instance is eliciting the desired response and which key events/scenes/sections of the media instance need to be changed in order to match the desired response. A good media instance should contain multiple moments/scenes/events that are intense and produce positive amplitude of response across viewers. A media instance failed to create such responses may not achieve what the creators of the media instance have intended.

In some embodiments, the media instance can be divided up into instances of key moments/events/scenes/segments/sections in the profile, wherein such key events can be identified and/tagged according to the type of the media instance. In the case of video games, such key events include but are not limited to, elements of a video game such as levels, cut scenes, major fights, battles, conversations, etc. In the case of Web sites, such key events include but are not limited to, progression of Web pages, key parts of a Web page, advertisements shown, content, textual content, video, animations, etc. In the case of an interactive media/movie/ads, such key events can be but are not limited to, chapters, scenes, scene types, character actions, events (for non-limiting examples, car chases, explosions, kisses, deaths, jokes) and key characters in the movie.

In some embodiments, an event module 1311 can be used to quickly identify a numbers of moments/events/scenes/segments/sections in the media instance retrieved from the media database 1304 and then automatically calculate the length of each event. The event module may enable each user, or a trained administrator, to identify and tag the important events in the media instance so that, once the "location" (current event) in the media instance (relative to other pertinent events in the media instance) is selected by the user, the selected event may be better correlated with the aggregated responses from the viewers.

In some embodiments, the events in the media instance can be identified, automatically if possible, through one or more applications that parse user actions in an environment (e.g., virtual environment, real environment, online environment, etc.) either before the viewer's interaction with the media instance in the case of non-interactive media

such as a movie, or afterwards by reviewing the viewer's interaction with the media instance through recorded video, a log of actions or other means. In video games, web sites and other electronic interactive media instance, the program that administers the media can create this log and thus automate the process.

An embodiment enables graphical presentation and analysis of verbatim comments and feedbacks from a plurality of viewers to a specific media instance. These verbatim comments are first collected from the viewers and stored in a database before being analyzed and categorized into various categories. Once categorized, the comments can then be presented to a user in various graphical formats, allowing the user to obtain an intuitive visual impression of the positive/negative reactions to and/or the most impressive characteristics of the specific media instance as perceived by the viewers.

An embodiment enables graphical presentation and analysis of verbatim comments and feedbacks from a plurality of viewers to a specific media instance. These verbatim comments are first collected from the viewers and stored in a database before being analyzed and categorized into various categories. Once categorized, the comments can then be presented to a user in various graphical formats, allowing the user to obtain an intuitive visual impression of the positive/negative reactions to and/or the most impressive characteristics of the specific media instance, as perceived by the viewers. Instead of parsing through and dissecting the comments and feedbacks word by word, the user is now able to visually evaluate how well the media instance is being received by the viewers at a glance.

Figure 15 is an illustration of an exemplary system to support graphical presentation of verbatim comments from viewers. Although this diagram depicts components as functionally separate, such depiction is merely for illustrative purposes. It will be apparent to those skilled in the art that the components portrayed in this figure can be arbitrarily combined or divided into separate software, firmware and/or hardware components. Furthermore, it will also be apparent to those skilled in the art that such components, regardless of how they are combined or divided, can execute on the same computing device or multiple computing devices, and wherein the multiple computing devices can be connected by one or more networks.

Referring to Figure 15, a collection module 1503 is operable to collect, record, store and manage verbatim reactions 1502 (comments and feedbacks) from a plurality of viewers of a media instance 1501. Here, the media instance and its pertinent data can be stored in a media database 1504, and the verbatim reactions from the viewers can be stored in a reaction

database 1505, respectively. An analysis module 1506 is operable to analyze the verbatim comments from the viewers and categorize them into the plurality of categories. A presentation module 1507 is operable to retrieve and categorize the verbatim reactions to the media instance into various categories, and then present these verbatim reactions to a user 1508 based on their categories in graphical forms via an interactive browser 1509. The interactive browser includes at least two panels: a media panel 1510, which is operable to present, play, and pause the media instance; and a comments panel 1511, which is operable to display not only the one or more reactions corresponding to the media instance, but also one or more graphical categorization and presentation of the verbatim reactions to provide the user with both a verbal and/or a visual perception and interpretation of the feedbacks from the viewers.

Figure 16 is a flow chart illustrating an exemplary process to support graphical presentation of verbatim comments from viewers. Although this figure depicts functional operations in a particular order for purposes of illustration, the process is not limited to any particular order or arrangement of operations. One skilled in the art will appreciate that the various operations portrayed in this figure could be omitted, rearranged, combined and/or adapted in various ways.

Referring to Figure 16, verbatim reactions to a media instance from a plurality of viewers are collected, stored and managed at 1601. At 1602, the collected verbatim reactions are analyzed and categorized into various categories. The categorized comments are then retrieved and presented to a user in graphical forms based on the categories at 1603, enabling the user to visually interpret the reactions from the viewers at 1604.

In some embodiments, the viewers of the media instance are free to write what they like and don't like about the media instance, and the verbatim (free flowing text) comments or feedback 501 from the viewers can be recorded and presented in the comments panel 7111 verbatim as shown in **Figure 9** described above. In some embodiments, the analysis module is operable to further characterize the comments in each of the plurality of categories as positive or negative based on the words used in each of the comments. Once characterized, the number of positive or negative comments in each of the categories can be summed up. For a non-limiting example, comments from viewers on a certain type of events, like combat, can be characterized and summed up as being 40% positive, while 60% negative. Such an approach avoids single verbatim response from bias the responses from a group of viewers,

making it easy for the user to understand how viewers would react to every aspect of the media instance.

In some embodiments, the analysis module is operable to characterize the viewers' comments about the media instance as positive or negative in a plurality of categories/topics/aspects related to the product, wherein such categories include but are not limited to, product, event, logo, song, spokesperson, jokes, narrative, key events, storyline. These categories may not be predetermined, but instead be extracted from the analysis of their comments.

In some embodiments, the presentation module is operable to present summation of the viewers' positive and negative comments to various aspects/topics/events of the media instance to the user (creator of the media instance) in a bubble graph for example. In alternative embodiments, the verbatim comments from the viewers can be analyzed, and key words and concepts (adjectives) can be extracted and presented in a word cloud, rendering meaningful information from the verbatim comments more accessible.

In some embodiments, the viewers may simply be asked to answer a specific question, for example, "What are three adjectives that best describe your response to this media." The adjectives in the viewers' responses to the question can then be collected, categorized, and summed up, and presented in a Word cloud. Alternatively, the adjectives the viewers used to describe their responses to the media instance may be extracted from collected survey data.

In some embodiments, with reference to Figure 15, an optional authentication module 1513 is operable to authenticate identity of the user requesting access to the media instance and the verbatim reactions remotely over a network 1513. Here, the network can be but is not limited to, internet, intranet, wide area network (WAN), local area network (LAN), wireless network, Bluetooth, and mobile communication network.

In some embodiments, optional user database 1514 stores information of users who are allowed to access the media instances and the verbatim reactions from the viewers, and the specific media instances and the reactions each user is allowed to access. The access module 1510 may add or remove a user for access, and limit or expand the list of media instances and/or reactions the user can access and/or the analysis features the user can use by checking the user's login name and password. Such authorization/limitation on a user's access can be determined to based upon who the user is, e.g., different amounts of information for different types of users. For a non-limiting example, Company ABC can

have access to certain ads and feedback from viewers' reactions to the ads, while Company XYZ can not have access or can only have limited access to the same ads and/or feedback.

The headset of an embodiment (also referred to herein as a sensor headset and/or integrated headset) integrates sensors into a housing which can be placed on a human head for measurement of physiological data, as described above. The device includes at least one sensor and a reference electrode connected to the housing. A processor coupled to the sensor and the reference electrode receives signals that represent electrical activity in tissue of a user. The processor generates an output signal including data of a difference between an energy level in each of a first and second frequency band of the signals. The difference between energy levels is proportional to release level present time emotional state of the user. The device includes a wireless transmitter that transmits the output signal to a remote device. The device therefore processes the physiological data to create the output signal that correspond to a person's mental and emotional state or response.

A system 30 which includes the headset is shown in **Figure 17**. Exemplary system 30 includes a sensor device 32 which is connected to a user 34 for sensing and isolating a signal of interest from electrical activity in the user's pre-frontal lobe. The signal of interest has a measurable characteristic of electrical activity, or signal of interest, which relates to a present time emotional state (PTES) of user 34. PTES relates to the emotional state of the user at a given time. For instance, if the user is thinking about something that causes the user emotional distress, then the PTES is different than when the user is thinking about something which has a calming affect on the emotions of the user. In another example, when the user feels a limiting emotion regarding thoughts, then the PTES is different than when the user feels a state of release regarding those thoughts. Because of the relationship between the signal of interest and PTES, system 30 is able to determine a level of PTES experienced by user 34 by measuring the electrical activity and isolating a signal of interest from other electrical activity in the user's brain.

In the present example, sensor device 32 includes a sensor electrode 36 which is positioned at a first point and a reference electrode 38 which is positioned at a second point. The first and second points are placed in a spaced apart relationship while remaining in close proximity to one another. The points are preferably within about 8 inches of one another, and in one instance the points are about 4 inches apart. In the present example, sensor electrode 36 is positioned on the skin of the user's forehead and reference electrode 38 is connected to

the user's ear. The reference electrode can also be attached to the user's forehead, which may include positioning the reference electrode over the ear of the user.

Sensor electrode 36 and reference electrode 38 are connected to an electronics module 40 of sensor device 32, which is positioned near the reference electrode 38 so that they are located substantially in the same noise environment. The electronics module 40 may be located at or above the temple of the user or in other locations where the electronics module 40 is in close proximity to the reference electrode 38. In the present example, a head band 42 or other mounting device holds sensor electrode 36 and electronics module 40 in place near the temple while a clip 44 holds reference electrode 38 to the user's ear. In one instance, the electronics module and reference electrode are positioned relative to one another such that they are capacitively coupled.

Sensor electrode 36 senses the electrical activity in the user's pre-frontal lobe and electronics module 40 isolates the signal of interest from the other electrical activity present and detected by the sensor electrode. Electronics module 40 includes a wireless transmitter 46, which transmits the signal of interest to a wireless receiver 48 over a wireless link 50. Wireless receiver 48 receives the signal of interest from electronics module 40 and connects to a port 52 of a computer 54, or other device having a processor, with a port connector 53 to transfer the signal of interest from wireless receiver 48 to computer 54. Electronics module 40 includes an LED 55, and wireless receiver 48 includes an LED 57 which both illuminate when the wireless transmitter and the wireless receiver are powered.

Levels of PTES derived from the signal of interest can be displayed on a computer screen 58 of computer 54 (e.g., in a meter 56). In this embodiment, the display meter 56 serves as an indicator, but the embodiments are not so limited. Viewing meter 56 allows user 34 to determine their level of PTES at any particular time in a manner which is objective. The objective feedback obtained from meter 56 is used for guiding the user to improve their PTES, to determine levels of PTES related to particular memories or thoughts which can be brought up in the mind of user 34 when the user is exposed to certain stimuli, and/or to provide feedback to the user as to the quality of data received from the user's headset and, thus, the proper fit of the headset.

In system 30, media material or media instance 66 is used to expose user 34 to stimuli designed to cause user 34 to bring up particular thoughts or emotions which are related to a high level of PTES in the user. In the present example, media material 66 includes any

material presented or played to the user. The particular thoughts or emotions are represented in the signal of interest captured during play of the media instance.

The signal of interest which relates to the release level PTES are brain waves or electrical activity in the pre-frontal lobe of the user's brain in the range of 4-12 Hz. These characteristic frequencies of electrical activity are in the Alpha and Theta bands. Alpha band activity is in the 8 to 12 Hz range and Theta band activity is in the 4 to 7 Hz range. A linear relationship between amplitudes of the Alpha and Theta bands is an indication of the release level. When user 34 is in a non-release state, the activity is predominantly in the Theta band and the Alpha band is diminished; and when user 34 is in a release state the activity is predominantly in the Alpha band and the energy in the Theta band is diminished.

One example of sensor device 32 that captures signals of interest is shown in **Figure 18 and 19**. Sensor device 32 includes sensor electrode 36, reference electrode 38 and electronics module 40. The electronics module 40 amplifies the signal of interest by 1,000 to 100,000 times while at the same time insuring that 60 Hz noise is not amplified at any point. Electronics module 40 isolates the signal of interest from undesired electrical activity.

Sensor device 32 in the present example also includes wireless receiver 48 which receives the signal of interest from the electronics module over wireless link 50 and communicates the signal of interest to computer 54. In the present example, wireless link 50 uses radiofrequency energy; however other wireless technologies may also be used, such as infrared. Using a wireless connection eliminates the need for wires to be connected between the sensor device 32 and computer 54 which electrically isolates sensor device 32 from computer 54.

Reference electrode 38 is connected to a clip 148 which is used for attaching reference electrode 38 to an ear 150 of user 34, in the present example. Sensor electrode 36 includes a snap or other spring loaded device for attaching sensor electrode 36 to headband 42. Headband 42 also includes a pocket for housing electronics module 40 at a position at the user's temple. Headband 42 is one example of an elastic band which is used for holding the sensor electrode and/or the electronics module 40, another types of elastic bands which provide the same function could also be used, including having the elastic band form a portion of a hat.

Other types of mounting devices, in addition to the elastic bands, can also be used for holding the sensor electrode against the skin of the user. A holding force holding the sensor

electrode against the skin of the user can be in the range of 1 to 4 oz. The holding force can be, for instance, 1.5 oz.

In another example of a mounting device involves a frame that is similar to an eyeglass frame, which holds the sensor electrode against the skin of the user. The frame can also be used for supporting electronics module 40. The frame is worn by user 34 in a way which is supported by the ears and bridge of the nose of the user, where the sensor electrode 36 contacts the skin of the user.

Sensor electrode 36 and reference electrode 38 include conductive surface 152 and 154, respectively, that are used for placing in contact with the skin of the user at points where the measurements are to be made. In the present example, the conductive surfaces are composed of a non-reactive material, such as copper, gold, conductive rubber or conductive plastic. Conductive surface 152 of sensor electrode 36 may have a surface area of approximately 1/2 square inch. The conductive surfaces 152 are used to directly contact the skin of the user without having to specially prepare the skin and without having to use a substance to reduce a contact resistance found between the skin and the conductive surfaces.

Sensor device 32 works with contact resistances as high as 500,000 ohms which allows the device to work with conductive surfaces in direct contact with skin that is not specially prepared. In contrast, special skin preparation and conductive gels or other substances are used with prior EEG electrodes to reduce the contact resistances to around 20,000 ohms or less. One consequence of dealing with higher contact resistance is that noise may be coupled into the measurement. The noise comes from lights and other equipment connected to 60 Hz power, and also from friction of any object moving through the air which creates static electricity. The amplitude of the noise is proportional to the distance between the electronics module 40 and the reference electrode 38. In the present example, by placing the electronics module over the temple area, right above the ear and connecting the reference electrode to the ear, the sensor device 32 does not pick up the noise, or is substantially unaffected by the noise. By positioning the electronics module in the same physical space with the reference electrode and capacitively coupling the electronics module with the reference electrode ensures that a local reference potential 144 in the electronics module and the ear are practically identical in potential. Reference electrode 38 is electrically connected to local reference potential 144 used in a power source 158 for the sensor device 32.

Power source 158 provides power 146 to electronic components in the module over power conductors. Power source 158 provides the sensor device 32 with reference potential

144 at 0 volts as well as positive and negative source voltages, - VCC and +VCC. Power source 158 makes use of a charge pump for generating the source voltages at a level which is suitable for the electronics module.

Power source is connected to the other components in the module 40 through a switch 156. Power source 158 can include a timer circuit which causes electronics module 40 to be powered for a certain time before power is disconnected. This feature conserves power for instances where user 34 accidentally leaves the power to electronics module 40 turned on. The power 146 is referenced locally to measurements and does not have any reference connection to an external ground system since sensor circuit 32 uses wireless link 50.

Sensor electrode 36 is placed in contact with the skin of the user at a point where the electrical activity in the brain is to be sensed or measured. Reference electrode 38 is placed in contact with the skin at a point a small distance away from the point where the sensor electrode is placed. In the present example, this distance is 4 inches, although the distance may be as much as about 8 inches. Longer lengths may add noise to the system since the amplitude of the noise is proportional to the distance between the electronics module and the reference electrode. Electronics module 40 is placed in close proximity to the reference electrode 38. This causes the electronics module 40 to be in the same of electrical and magnetic environment as the reference electrode 38 and electronics module 40 is connected capacitively and through mutual inductance to reference electrode 38. Reference electrode 38 and amplifier 168 are coupled together into the noise environment, and sensor electrode 36 measures the signal of interest a short distance away from the reference electrode to reduce or eliminate the influence of noise on sensor device 32. Reference electrode 38 is connected to the 0V in the power source 158 with a conductor 166.

Sensor electrode 36 senses electrical activity in the user's brain and generates a voltage signal 160 related thereto which is the potential of the electrical activity at the point where the sensor electrode 36 contacts the user's skin relative to the local reference potential 144. Voltage signal 160 is communicated from the electrode 36 to electronics module 40 over conductor 162. Conductors 162 and 166 are connected to electrodes 36 and 38 in such a way that there is no solder on conductive surfaces 152 and 154. Conductor 162 is as short as practical, and in the present example is approximately 3 inches long. When sensor device 32 is used, conductor 162 is held a distance away from user 34 so that conductor 162 does not couple signals to or from user 34. In the present example, conductor 162 is held at a distance of approximately 1/2" from user 34. No other wires, optical fibers or other types of

extensions extend from the electronics module 40, other than the conductors 162 and 166 extending between module 40 and electrodes 36 and 38, since these types of structure tend to pick up electronic noise.

The electronics module 40 measures or determines electrical activity, which includes the signal of interest and other electrical activity unrelated to the signal of interest which is undesired. Electronics module 40 uses a single ended amplifier 168, (Figures 19 and 20), which is closely coupled to noise in the environment of the measurement with the reference electrode 38. The single ended amplifier 168 provides a gain of 2 for frequencies up to 12 Hz, which includes electrical activity in the Alpha and Theta bands, and a gain of less than 1 for frequencies 60 Hz and above, including harmonics of 60 Hz.

Amplifier 168 (Figure 20 and 23) receives the voltage signal 160 from electrode 36 and power 146 from power source 158. Single ended amplifier 168 generates an output signal 174 which is proportional to voltage signal 160. Output signal 174 contains the signal of interest. In the present example, voltage signal 160 is supplied on conductor 162 to a resistor 170 which is connected to non-inverting input of high impedance, low power op amp 172. Output signal 174 is used as feedback to the inverting input of op amp 172 through resistor 176 and capacitor 178 which are connected in parallel. The inverting input of op amp 172 is also connected to reference voltage 144 through a resistor 180.

Amplifier 168 is connected to a three-stage sensor filter 182 with an output conductor 184 which carries output signal 174. The electrical activity or voltage signal 160 is amplified by each of the stages 168 and 182 while undesired signals, such as those 60 Hz and above, are attenuated by each of the stages. Three-stage sensor filter has three stages 2206a, 2206b and 2206c each having the same design to provide a bandpass filter function which allows signals between 1.2 and 12 Hz to pass with a gain of 5 while attenuating signal lower and higher than these frequencies. The bandpass filter function allows signals in the Alpha and Theta bands to pass while attenuating noise such as 60 Hz and harmonics of the 60 Hz. The three stage sensor filter 182 removes offsets in the signal that are due to biases and offsets in the parts. Each of the three stages is connected to source voltage 146 and reference voltage 144. Each of the three stages generates an output signal 186a, 186b and 186c on an output conductor 188a, 186b and 188c, respectively.

In the first stage 2206a, Figure 21 and 23, of three-stage sensor filter 182, output signal 174 is supplied to a non-inverting input of a first stage op-amp 190a through a resistor 192a and capacitor 194a. A capacitor 196a and another resistor 198a are connected between

the non-inverting input and reference voltage 144. Feedback of the output signal 186a from the first stage is connected to the inverting input of op amp 190a through a resistor 2200a and a capacitor 2202a which are connected in parallel. The inverting input of op amp 190a is also connected to reference voltage 144 through resistor 2204a.

Second and third stages 2206b and 2206c, respectively, are arranged in series with first stage 2206a. First stage output signal 186a is supplied to second stage 2206b through resistor 192b and capacitor 194b to the non-inverting input of op-amp 190b. Second stage output signal 186b is supplied to third stage 2206c through resistor 192c and capacitor 194c. Resistor 198b and capacitor 196b are connected between the non-inverting input of op-amp 190b and reference potential 144, and resistor 198c and capacitor 196c are connected between the non-inverting input of op-amp 190c and reference potential 144. Feedback from output conductor 188b to the inverting input of op-amp 190b is through resistor 2200b and capacitor 2202b and the inverting input of op-amp 190b is also connected to reference potential 144 with resistor 204b. Feedback from output conductor 188c to the inverting input of op-amp 190c is through resistor 2200c and capacitor 2202c and the inverting input of op-amp 190c is also connected to reference potential 144 with resistor 2204c.

Three stage sensor filter 182 is connected to an RC filter 2208, Figures 22 and 23, with the output conductor 188c which carries the output signal 186c from third stage 2206c of three stage sensor filter 182, **Figure 19**. RC filter 2208 includes a resistor 2210 which is connected in series to an output conductor 2216, and a capacitor 2212 which connects between reference potential 144 and output conductor 2216. RC filter serves as a low pass filter to further filter out frequencies above 12 Hz. RC filter 2208 produces a filter signal 2214 on output conductor 2216. RC filter 2208 is connected to an analog to digital (A/D) converter 2218, **Figure 19**.

The A/D converter 118 converts the analog filter signal 2214 from the RC filter to a digital signal 220 by sampling the analog filter signal 2214 at a sample rate that is a multiple of 60 Hz. In the present example the sample rate is 9600 samples per second. Digital signal 220 is carried to a digital processor 224 on an output conductor 222.

Digital processor 224, **Figure 19 and 24** provides additional gain, removal of 60 Hz noise, and attenuation of high frequency data. Digital processor 224 may be implemented in software operating on a computing device. Digital processor 224 includes a notch filter 230, **Figure 24** which sums 160 data points of digital signal 220 at a time to produce a 60 Hz data stream that is free from any information at 60 Hz. Following notch filter 230 is an error

checker 232. Error checker 232 removes data points that are out of range from the 60 Hz data stream. These out of range data points are either erroneous data or they are caused by some external source other than brain activity.

After error checker 232, digital processor 224 transforms the data stream using a discrete Fourier transformer 234. While prior EEG systems use band pass filters to select out the Alpha and Theta frequencies, among others, these filters are limited to processing and selecting out continuous periodic functions. By using a Fourier transform, digital processor 224 is able to identify randomly spaced events. Each event has energy in all frequencies, but shorter events will have more energy in higher frequencies and longer events will have more energy in lower frequencies. By looking at the difference between the energy in Alpha and Theta frequencies, the system is able to identify the predominance of longer or shorter events. The difference is then scaled by the total energy in the bands. This causes the output to be based on the type of energy and removes anything tied to amount of energy.

The Fourier transformer 234 creates a spectrum signal that separates the energy into bins 236a to 236o which each have a different width of frequency. In one example, the spectrum signal has 30 samples and separates the energy spectrum into 2Hz wide bins; in another example, the spectrum signal has 60 samples and separates the bins into 1 Hz wide bins. Bins 236 are added to create energy signals in certain bands. In the present example, bins 236 between 4 and 8 Hz are passed to a summer 238 which sums these bins to create a Theta band energy signal 240; and bins between 8 and 12 Hz are passed to a summer 242 which sums these bins to create an Alpha band energy signal 244.

In the present example, the Alpha and Theta band energy signals 240 and 244 are passed to a calculator 246 which calculates $(\text{Theta} - \text{Alpha}) / (\text{Theta} + \text{Alpha})$ and produces an output signal 226 on a conductor 228 as a result.

Output signal 226, **Figure 19**, is passed to wireless transmitter 46 which transmits the output signal 226 to wireless receiver 48 over wireless link 50. In the present example, output signal 226 is the signal of interest which is passed to computer 54 through port 52 and which is used by the computer to produce the PTES for display in meter 56.

Computer 54 may provide additional processing of output signal 226 in some instances. In the example using the Release Technique, the computer 54 manipulates output signal 226 to determine relative amounts of Alpha and Theta band signals in the output signal to determine levels of release experienced by user 34.

A sensor device utilizing the above described principles and feature can be used for determining electrical activity in other tissue of the user in addition to the brain tissue just described, such as electrical activity in muscle and heart tissue. In these instances, the sensor electrode is positioned on the skin at the point where the electrical activity is to be measured and the reference electrode and electronics module are positioned nearby with the reference electrode attached to a point near the sensor electrode. The electronics module, in these instances, includes amplification and filtering to isolate the frequencies of the muscle or heart electrical activity while filtering out other frequencies.

There are many practical applications of physiological data that could be enabled with a non-intrusive sensing device (sensor) that allows a test subject to participate in normal activities with a minimal amount of interference from the device, as described above. The data quality of this device need not be as stringent as a medical device as long as the device measures data accurately enough to satisfy the needs of parties interested in such data, making it possible to greatly simplify the use and collection of physiological data when one is not concerned about treating any disease or illness. There are various types of non-intrusive sensors that are in existence. For a non-limiting example, modern three axis accelerometer can exist on a single silicon chip and can be included in many modern devices. The accelerometer allows for tracking and recording the movement of whatever subject the accelerometer is attached to. For another non-limiting example, temperature sensors have also existed for a long time in many forms, with either wired or wireless connections. All of these sensors can provide useful feedback about a test subject's responses to stimuli, but thus far, no single device has been able to incorporate all of them seamlessly. Attaching each of these sensors to an individual separately is timing consuming and difficult, requiring a trained professional to insure correct installation and use. In addition, each newly-added sensor introduces an extra level of complexity, user confusion, and bulk to the testing instrumentation.

As described above an integrated headset is introduced, which integrates a plurality of sensors into one single piece and can be placed on a person's head for measurement of his/her physiological data. Such integrated headset is adaptive, which allows adjustability to fit the specific shape and/or size of the person's head. The integrated headset minimizes data artifacts arising from at least one or more of: electronic interference among the plurality of sensors, poor contacts between the plurality of sensors and head movement of the person. In

addition, combining several types of physiological sensors into one piece renders the measured physiological data more robust and accurate as a whole.

The integrated headset of an embodiment integrates a plurality of sensors into one single piece and can be placed on a person's head for measurement of his/her physiological data. Such integrated headset is easy to use, which measures the physiological data from the person accurately without requiring any conductive gel or skin preparation at contact points between the plurality of sensors and the person's skin. In addition, combining several types of physiological sensors into one piece renders the measured physiological data more robust and accurate as a whole.

The integrated headset of an embodiment integrates a plurality of sensors into one single piece and can be placed on a person's head for measurement of his/her physiological data. Such integrated headset is non-intrusive, which allows the person wearing the headset to freely conduct a plurality of functions without any substantial interference from the physiological sensors integrated in the headset. In addition, combining several types of physiological sensors into one piece renders the measured physiological data more robust and accurate as a whole.

Having a single device that incorporates numerous sensors also provides a huge value for advertisers, media producers, educators and many other parties interested in physiological data. These parties desire to understand the reactions and responses people have to their particular stimulus in order to tailor their information or media to better suit the needs of end users and/or to increase the effectiveness of the media. By sensing these exact changes instead of using focus groups, surveys, knobs or other easily biased measures of response, the integrated sensor improves both the data that is measured and recorded and the granularity of such data, as physiological data can be recorded by a computer program/device many times per second. The physiological data can also be mathematically combined from the plurality of sensors to create specific outputs that corresponds to a person's mental and emotional state (response).

As described above, Figure 3 shows another example embodiment of the sensor headset described herein. Although the diagrams depict components as functionally separate, such depiction is merely for illustrative purposes. It will be apparent to those skilled in the art that the components portrayed in this figure can be arbitrarily combined or divided into separate software, firmware and/or hardware components. Furthermore, it will also be apparent to those skilled in the art that such components, regardless of how they are

combined or divided, can execute on the same computing device or multiple computing devices, and wherein the multiple computing devices can be connected by one or more networks.

Referring to Figure 3, the integrated headset may include at least one or more of the following components: a processing unit 301, which can be but is not limited to a microprocessor, functions as a signal collection, processing and transmitting circuitry that collects, digitizes, and processes the physiological data measured from a person who wears the headset and transmits such data to a separate/remote location. A motion detection unit 302, which can be but is not limited to a three axis accelerometer, senses movement of the head of the person. A stabilizing component 303, which can be but is not limited to a silicon stabilization strip, stabilizes and connects the various components of the headset together. Such stabilizing component provides adhesion to the head by surface tension created by a sweat layer under the strip to stabilize the headset for more robust sensing through stabilization of the headset that minimizes responses to head movement of the person.

The headset includes a set of EEG electrodes, which can be but is not limited to a right EEG electrode 304 and a left EEG electrode 306 positioned symmetrically about the centerline of the forehead of the person, can be utilized to sense/measure EEG signals from the person. The electrodes may also have another contact on one ear of the person for a ground reference. These EEG electrodes can be prefrontal dry electrodes that do not need conductive gel or skin preparation to be used, where contacts are needed between the electrodes and the skin of the person but without excessive pressure applied.

The headset includes a heart rate sensor 305, which is a robust blood volume pulse sensor that can measure the person's heart rate and the sensor can be positioned directly in the center of the forehead of the person between the set of EEG electrodes. Power handling and transmission circuitry 307, which includes a rechargeable or replaceable battery module, provides operating power to the components of the headset and can be located over an ear of a wearer. An adjustable strap 308 positioned in the rear of the person's head can be used to adjust the headset to a comfortable tension setting for the shape and size of the person so that the pressure applied to the plurality of sensors is adequate for robust sensing without causing discomfort. Note that although motion detection unit, EEG electrodes, and heart rate sensor are used here as non-limiting examples of sensors, other types of sensors can also be integrated into the headset, wherein these types of sensors can be but are not limited to,

electroencephalograms, blood oxygen sensors, galvanometers, electromyographs, skin temperature sensors, breathing sensors, and any other types of physiological sensors.

In some embodiments, the integrated headset can be turned on with a push button and the test subject's physiological data can be measured and recorded instantly. Data transmission from the headset can be handled wirelessly through a computer interface to which the headset links. No skin preparation or conductive gels are needed on the tester to obtain an accurate measurement, and the headset can be removed from the tester easily and be instantly used by another person. No degradation of the headset occurs during use and the headset can be reused thousands of times, allowing measurement to be done on many participants in a short amount of time and at low cost.

In some embodiments, the accelerometer 302 can be incorporated into an electronic package in a manner that allows its three axes to align closely to the regularly accepted axes directions in a three-dimensional space. Such requirement is necessary for the accelerometer to output data that can be easily interpreted without the need for complex mathematical operations to normalize the data to fit the standard three-axis system. Other sensors such as temperature sensors have less stringent location requirements and are more robust, which can be placed at various locations on the headset.

The physiological signals emanating from a human being are extremely small, especially in comparison to the general environmental background noise that is always present. This presents a challenge for creating an integrated headset that is very stable and minimizes data artifacts, wherein the artifacts may arise from at least one or more of: electronic interference, poor contact points, head movement that creates static electricity.

One of the major problems in recording human physiological signals is the issue of electrical interference, which may come from either external environmental sources or the various sensors that are incorporated into the single headset, or both. Combining multiple sensors into a single integrated headset may cause electrical interference to leak from one component (sensor) over into another due to the very weak signals that are being detected. For a non-limiting example, an EEG electrode is very sensitive to interference and signals from other sensors can create artifacts in the EEG reading.

In some embodiments, data transmission from the headset can be handled wirelessly through a computer interface that the headset links to. Since wireless communication happens at high frequencies, the typical 50/60 Hz electrical noise that may, for a non-limiting

example, be coupled to a signal wire and interfere with the measured data transferred by the wire can be minimized.

In some embodiments, power levels of one or more of the sensors integrated in the integrated headset may be tuned as low as possible to minimize the electrical interference. In addition, specific distance between signal-carrying wires of the sensors can also be set and enforced to reduce the (electronic) crosstalk between the wires.

In some embodiments, with reference to Figure 3, the power handling and transmission circuitry 307 of the integrated headset can be separated from the signal collection and processing circuitry 301. Being a wireless device, the integrated headset uses a battery and the noise generated by the battery may ruin the measurement as the battery noise is far larger than the electrical signals being measured. By physically separating the circuits and only delivering power by means of minimum number of wires needed, the integrated headset can cut down electrical interference significantly.

In some embodiments, the power and signal processing circuitry can be placed over opposite ears of the tester, respectively. A flat cable can be used to transmit the power from the battery module 307 over the left ear to the signal processing circuitry 301 over the right ear. The data from the heart rate sensor 305 can also be carried using a similar flat cable, which allows greater control over wire placement and restricts the wires from moving around during use as in the case with conventional stranded wires. In addition, the EEG electrodes 304 and 306 can be wired using conventional stranded copper wire to carry the signal to the signal processing circuit 301. The wires from the EEG electrodes can be placed at the extents of the plastic housing of the headset at least 0.1" away from the heart sensor cable, which helps to reduce the possible electrical interference to an acceptable level.

In some embodiments, the plurality of sensors in the integrated headset can have different types of contacts with the test subject. Here, the contacts can be made of an electrically conductive material, which for non-limiting examples can be but are not limited to, nickel-coated copper or a conductive plastic material. The integrated headset can minimize the noise entering the measuring contact points of the sensors by adopting dry EEG electrodes that work at acceptable noise levels without the use of conductive gels or skin abrasion.

In some embodiments, a non-adhesive or rubber-like substance can be applied against the skin to create a sweat layer between the two that increases the friction between the skin and the headset, normally in less than a minute. This sweating liquid provides better

conductivity between the skin and the contacts of the plurality of sensors. In addition, this liquid creates a surface tension that increases the friction and holding strength between the skin and the headset, creating a natural stabilizer for the headset without the use of gels, adhesives or extraneous attachment mechanisms. The holding force increases significantly only in parallel to the plane of the skin, keeping the headset from sliding around on the skin, which is the major problem area in noise generation. Such non-adhesive substance does not, however, significantly increase the holding strength perpendicular to the plane of the skin, so it is not uncomfortable to remove the headset from the tester as it would be the case if an adhesive were applied to hold the headset in place as with many medical sensing devices.

In some embodiments, the headset is operable to promote approximately even pressure distribution at front and back of the person's head to improve comfort and/or produce better signals of the measured physiological data. A foam pad can be used to create a large contact area around the sensors (such as the heart rate sensor 305) and to create a consistent height for the inside of the headset. This result is increased user comfort since the foam reduces pressure at contact points that would otherwise exist at the raised EEG contacts. It also helps to create the correct amount of pressure at the contact points on the forehead.

Human heads exist in many different shapes and sizes and any headset that is easy to use must accommodate various shapes and sizes of the testers' heads. It is impractical, however, to create numerous different shapes and sizes for the integrated headset as it would require a trained fitter to choose the correct one for each different tester. In addition, the fitting process would be so time-consuming that it defeats the main goal of making the headset easy to use.

In some embodiments, the integrated headset is designed to be adaptive, flexible and compliant, which can automatically adjust to different head shapes and sizes of tester's heads. Since poor contact or movement relative to the skin has the potential to generate a greater amount of noise than the headset can handle, the headset is designed in such a way to minimize movement and to create compliance and fitting to varying head shapes and sizes. The tester should be able to simply put on the headset, tighten the adjustable strap 308 that allows the headset to be worn comfortably, and be ready to work.

In some embodiments, the compliance in the adjustable strap 308 of the headset must be tuned so that it is not overly soft and can support weight of the headset; otherwise the headset may result in a situation where the noise from the moving headset would override the measured signal from the sensors. On the other hand, the compliance cannot be so little that

it would necessitate over-tightening of the headset, because the human head does not cope well with high amount of pressure being applied directly to the head, which may cause headaches and a sense of claustrophobia on the test subject who wears a headset that is too tight.

In some embodiments, the headset itself surrounds and holds these components on the brow of the head and passes over both ears and around the back of the head. The body of the headset is made of a thin, lightweight material such as plastic or fabric that allows flexing for the headset to match different head shapes but is stiff in the minor plane to not allow twisting, which may cause the electrodes to move and create noise.

In some embodiments, the EEG electrodes and the heart rate sensor both need contacts with the skin of the tester's head that are near the center of the forehead and do not slide around. However, too much contact pressure may create an uncomfortable situation for the tester and is thus not acceptable. Therefore, the integrated headset applies consistent pressure at multiple contact points on different head shapes and sizes of testers, wherein such pressure is both compliant enough to match different head geometries and to create stickiness to the skin and help to stabilize the headset. Here, the headset is operable to achieve such pre-defined pressure by using various thicknesses, materials, and/or geometries at the desired locations of the contact points.

In some embodiments, one or more processing units (301) that deal with data collection, signal processing, and information transmission are located above the ears to give the unit, the largest component on the headset, a stable base, as allowing the units to hang unsupported would cause them to oscillate with any type of head movement. A silicon stabilization strip 303 allows for more robust sensing through stabilization of the headset by minimizing movement.

In some embodiments, electronic wiring and/or circuitry (electronic components) of the headset can be placed inside the plastic housing of the headset with another layer of 0.015" thick ABS plastics in between the electronic components and the skin to provide protection to the components and/or an aesthetic cover for the headset. The inside plastic can be retained by a series of clips and tabs to allow the plastic to slide relative to the outer housing, which precludes the creation of a composite beam if the two were attached together using glue or any other rigid attachment mechanism, as a composite beam is much stiffer than two independent pieces of material and would thus decrease the compliance of the headset.

In some embodiments, the adjustable rubber strip 308 can be attached to the inside plastic at the very bottom along the entire length of the headset, which creates a large surface area over which an increased friction force may keep the headset from moving. Having consistent and repeatable contact is crucial to the quality of the EEG data and friction increase from the rubber strip facilitates that process. The strip also provides some cushioning which increases user comfort.

Embodiments described herein include a system comprising: a plurality of headsets, wherein each headset is worn by a viewer of a plurality of viewers, each headset including at least one sensor and a transmitter, wherein the plurality of viewers is watching a media instance, wherein each headset receives physiological data from the corresponding viewer; a plurality of signal collection devices, wherein each signal collection device receives the physiological data transmitted by the corresponding headset of a set of viewers of the plurality of viewers, wherein each signal collection device analyzes data quality of the physiological data as it is received from the corresponding set of viewers and, in response, generates feedback to the corresponding set of viewers regarding action to be taken to remedy an anomaly in quality of the physiological data; and a processing module that receives the physiological data from the plurality of signal collection devices, wherein the processing module derives from the physiological data a plurality of physiological responses of the plurality of viewers to the media instance.

The processing module of an embodiment synchronizes the physiological data from the plurality of viewers.

The processing module of an embodiment synchronizes the media instance and the physiological data from the plurality of viewers.

Each signal collection device of an embodiment removes data from the corresponding physiological data for a time period during which the corresponding viewer is not paying attention to the media instance before transferring the data to the processing module.

The processing module of an embodiment interpolates physiological data from the time period when the viewer is paying attention to cover the data that has been removed.

The physiological data of an embodiment is at least one of heart rate, brain waves, EEG signals, blink rate, breathing, motion, muscle movement, galvanic skin response, and a response correlated with change in emotion.

The processing module of an embodiment removes artifacts of the physiological data.

The anomaly of an embodiment is detected using at least one of heart rate, brain waves, EEG signals, blink rate, breathing, motion, muscle movement, and galvanic skin response.

The at least one sensor of an embodiment includes a physiological sensor.

The at least one sensor of an embodiment includes an electroencephalogram.

The at least one sensor of an embodiment includes an accelerometer.

The at least one sensor of an embodiment includes a blood oxygen sensor.

The at least one sensor of an embodiment includes a galvanometer.

The at least one sensor of an embodiment includes an electromyograph.

The headset of an embodiment includes at least one dry EEG electrode.

The headset of an embodiment includes at least one heart rate sensor.

The headset of an embodiment includes at least one accelerometer.

The headset of an embodiment includes at least one processor.

The headset of an embodiment includes at least one wireless communication device.

The plurality of physiological responses of an embodiment includes liking.

The plurality of physiological responses of an embodiment includes thought.

The plurality of physiological responses of an embodiment includes adrenaline.

The plurality of physiological responses of an embodiment includes engagement.

The plurality of physiological responses of an embodiment includes immersion in the media instance.

The system of an embodiment comprises a rating module that rates the media instance based on the plurality of physiological responses from the plurality of viewers.

The system of an embodiment comprises a reaction database that stores at least one of the physiological data, the plurality of physiological responses, and analysis results of the physiological responses.

The reaction database of an embodiment stores at least one of data of the media instance, and results of surveys presented to the plurality of viewers and corresponding to the media instance.

The media instance of an embodiment is at least one of a television program, an advertisement, a movie, printed media, a website, computer application, a video game, live performance, product information, and product content.

Each set of viewers of an embodiment is located in a different area of a location, the location hosting the plurality of signal collection devices.

Each set of viewers of an embodiment is located at a different venue of a plurality of venues.

The system of an embodiment comprises a tutorial, wherein a computer coupled to the processing module automatically receives and installs the tutorial, wherein the tutorial comprises information relating to watching of the media instance and data collection during the watching.

The tutorial of an embodiment automatically instructs the plurality of viewers in use of the headsets.

The tutorial of an embodiment automatically determines the data quality.

Embodiments described herein include a system comprising: a headset including at least one sensor and a transmitter, the headset attached to a viewer watching a media instance at a venue, wherein the headset receives physiological data from the viewer and transmits the physiological data; a signal collection device that receives the physiological data transmitted by the headset, wherein the signal collection device analyzes data quality of the physiological data as it is received from the viewer and, in response, generates feedback to the viewer regarding action to be taken to remedy non-optimal data quality, wherein the signal collection device transmits the physiological data; and a processing module that receives the physiological data from the signal collection device, wherein the processing module derives from the physiological data a plurality of physiological responses of the viewer to the media instance.

Embodiments described herein include a system comprising: a plurality of headsets, wherein each headset is worn by a viewer of a plurality of viewers, and each viewer is located at a different venue of a plurality of venues, each headset including at least one sensor and a transmitter, wherein the plurality of viewers is watching a media instance, wherein each headset receives physiological data from the corresponding viewer; a plurality of signal collection devices, wherein each signal collection device is located at a different venue of the plurality of venues, the signal collection device receiving the physiological data transmitted by the corresponding headset at that venue, wherein each signal collection device analyzes data quality of the physiological data as it is received from the corresponding viewer and, in response, generates feedback to the corresponding viewer regarding action to be taken to remedy an anomaly in quality of the physiological data; and a processing module that receives the physiological data from the plurality of signal collection devices, wherein the processing module generates aggregated data by aggregating the physiological data of the

plurality of viewers, wherein the processing module provides controlled access to the aggregated data and the media instance.

Embodiments described herein include a system comprising: a plurality of headsets, wherein each headset is worn by a viewer of a plurality of viewers, and each viewer is located at a different venue of a plurality of venues, each headset including at least one sensor and a transmitter, wherein the plurality of viewers is watching a media instance, wherein each headset receives physiological data from the corresponding viewer; a plurality of signal collection devices, wherein each signal collection device is located at a different venue of the plurality of venues, the signal collection device receiving the physiological data transmitted by the corresponding headset at that venue, wherein each signal collection device analyzes data quality of the physiological data as it is received from the corresponding viewer and, in response, generates feedback to the corresponding viewer regarding action to be taken to remedy an anomaly in quality of the physiological data; and a processing module that receives the physiological data from the plurality of signal collection devices, wherein the processing module generates synchronized data by synchronizing the aggregated data with the media instance.

Embodiments described herein include a system comprising: a plurality of headsets, wherein each headset is worn by a viewer of a plurality of viewers, each headset including at least one sensor and a transmitter, wherein the plurality of viewers is watching a media instance, wherein each headset receives physiological data from the corresponding viewer; a plurality of signal collection devices, wherein each signal collection device receives the physiological data transmitted by the corresponding headset of a set of viewers of the plurality of viewers; and a processing module that receives the physiological data from the plurality of signal collection devices, wherein the processing module generates synchronized data by synchronizing the physiological data from the plurality of viewers, and synchronizing the synchronized data with the media instance.

Embodiments described herein include a system comprising: a plurality of headsets, wherein each headset is worn by a viewer of a plurality of viewers, and each viewer is located at a different venue of a plurality of venues, each headset including at least one sensor and a transmitter, wherein the plurality of viewers is watching a media instance, wherein each headset receives physiological data from the corresponding viewer; a plurality of signal collection devices, wherein each signal collection device is located at a different venue of the plurality of venues, the signal collection device receiving the physiological data transmitted

by the corresponding headset at that venue; and a processing module that receives the physiological data from the plurality of signal collection devices, wherein the processing module generates synchronized data by synchronizing the physiological data from the plurality of viewers, and synchronizing the synchronized data with the media instance.

Embodiments described herein include a system comprising: a plurality of headsets, wherein each headset is worn by a viewer of a plurality of viewers, and each viewer is located at a different venue of a plurality of venues, each headset including at least one sensor and a transmitter, wherein the plurality of viewers is watching a media instance, wherein each headset receives physiological data from the corresponding viewer; a plurality of signal collection devices, wherein each signal collection device is located at a different venue of the plurality of venues, the signal collection device receiving the physiological data transmitted by the corresponding headset at that venue, wherein each signal collection device removes data from the corresponding physiological data for a time period during which the corresponding viewer is not paying attention to the media instance; and a processing module that receives the physiological data from the plurality of signal collection devices, wherein the processing module generates synchronized data by synchronizing the physiological data from the plurality of viewers with the media instance.

Embodiments described herein include a method comprising: receiving physiological data from a plurality of viewers via a plurality of headsets worn by each of the plurality of viewers, the plurality of viewers watching a media instance; receiving the physiological data from the plurality of headsets at a plurality of signal collection devices, wherein each signal collection device receives the physiological data transmitted by the corresponding headset of a set of viewers of the plurality of viewers; analyzing data quality of the physiological data as it is received from the corresponding set of viewers and, in response, generating feedback to the corresponding set of viewers regarding action to be taken to remedy an anomaly in quality of the physiological data; and receiving the physiological data from the plurality of signal collection devices at a processing module and deriving from the physiological data a plurality of physiological responses of the plurality of viewers to the media instance.

The method of an embodiment comprises synchronizing the physiological data from the plurality of viewers.

The method of an embodiment comprises synchronizing the media instance and the physiological data from the plurality of viewers.

The method of an embodiment comprises removing data from the corresponding physiological data for a time period during which the corresponding viewer is not paying attention to the media instance before transferring the data to the processing module.

The method of an embodiment comprises interpolating physiological data from the time period when the viewer is paying attention to cover the data that has been removed.

The method of an embodiment comprises detecting the anomaly using at least one of heart rate, brain waves, EEG signals, blink rate, breathing, motion, muscle movement, and galvanic skin response.

The method of an embodiment comprises removing artifacts of the physiological data.

The method of an embodiment comprises rating the media instance based on the plurality of physiological responses from the plurality of viewers.

The method of an embodiment comprises storing at least one of the physiological data, the plurality of physiological responses, and analysis results of the physiological responses.

The method of an embodiment comprises storing at least one of data of the media instance, and results of surveys presented to the plurality of viewers and corresponding to the media instance.

The physiological data of an embodiment is at least one of heart rate, brain waves, electroencephalogram (EEG) signals, blink rate, breathing, motion, muscle movement, galvanic skin response, and a response correlated with change in emotion.

Receiving physiological data of an embodiment comprises sensing the physiological data using at least one of a physiological sensor, an electroencephalogram (EEG), an accelerometer, a blood oxygen sensor, a galvanometer, an electromyograph, a dry EEG electrode, and a heart rate sensor.

The plurality of physiological responses of an embodiment includes at least one of liking, thought, adrenaline, engagement, and immersion in the media instance.

The media instance of an embodiment is at least one of a television program, an advertisement, a movie, printed media, a website, computer application, a video game, live performance, product information, and product content.

Each set of viewers of an embodiment is located in a different area of a location, the location hosting the plurality of signal collection devices.

Each set of viewers of an embodiment is located at a different venue of a plurality of venues.

The method of an embodiment comprises automatically providing a tutorial to the plurality of viewers via a computer, wherein the computer automatically receives and installs the tutorial, wherein the tutorial comprises information relating to watching of the media instance and data collection during the watching.

The method of an embodiment comprises automatically instructing the plurality of viewers in use of the headsets.

The method of an embodiment comprises automatically determining the data quality.

The systems and methods described herein include and/or run under and/or in association with a processing system. The processing system includes any collection of processor-based devices or computing devices operating together, or components of processing systems or devices, as is known in the art. For example, the processing system can include one or more of a portable computer, portable communication device operating in a communication network, and/or a network server. The portable computer can be any of a number and/or combination of devices selected from among personal computers, mobile telephones, personal digital assistants, portable computing devices, and portable communication devices, but is not so limited. The processing system can include components within a larger computer system.

The processing system of an embodiment includes at least one processor and at least one memory device or subsystem. The processing system can also include or be coupled to at least one database. The term "processor" as generally used herein refers to any logic processing unit, such as one or more central processing units (CPUs), digital signal processors (DSPs), application-specific integrated circuits (ASIC), etc. The processor and memory can be monolithically integrated onto a single chip, distributed among a number of chips or components, and/or provided by some combination of algorithms. The methods described herein can be implemented in one or more of software algorithm(s), programs, firmware, hardware, components, circuitry, in any combination.

Components of the systems and methods described herein can be located together or in separate locations. Communication paths couple the components and include any medium for communicating or transferring files among the components. The communication paths include wireless connections, wired connections, and hybrid wireless/wired connections. The communication paths also include couplings or connections to networks including local area networks (LANs), metropolitan area networks (MANs), WiMax networks, wide area networks (WANs), proprietary networks, interoffice or backend networks, and the Internet.

Furthermore, the communication paths include removable fixed mediums like floppy disks, hard disk drives, and CD-ROM disks, as well as flash RAM, Universal Serial Bus (USB) connections, RS-232 connections, telephone lines, buses, and electronic mail messages.

One embodiment may be implemented using a conventional general purpose or a specialized digital computer or microprocessor(s) programmed according to the teachings of the present disclosure, as will be apparent to those skilled in the computer art. Appropriate software coding can readily be prepared by skilled programmers based on the teachings of the present disclosure, as will be apparent to those skilled in the software art. The invention may also be implemented by the preparation of integrated circuits or by interconnecting an appropriate network of conventional component circuits, as will be readily apparent to those skilled in the art.

One embodiment includes a computer program product which is a machine readable medium (media) having instructions stored thereon/in which can be used to program one or more computing devices to perform any of the features presented herein. The machine readable medium can include, but is not limited to, one or more types of disks including floppy disks, optical discs, DVD, CD-ROMs, micro drive, and magneto-optical disks, ROMs, RAMs, EPROMs, EEPROMs, DRAMs, VRAMs, flash memory devices, magnetic or optical cards, nanosystems (including molecular memory ICs), or any type of media or device suitable for storing instructions and/or data. Stored on any one of the computer readable medium (media), the present invention includes software for controlling both the hardware of the general purpose/specialized computer or microprocessor, and for enabling the computer or microprocessor to interact with a human viewer or other mechanism utilizing the results of the present invention. Such software may include, but is not limited to, device drivers, operating systems, execution environments/containers, and applications.

Unless the context clearly requires otherwise, throughout the description, the words "comprise," "comprising," and the like are to be construed in an inclusive sense as opposed to an exclusive or exhaustive sense; that is to say, in a sense of "including, but not limited to." Words using the singular or plural number also include the plural or singular number respectively. Additionally, the words "herein," "hereunder," "above," "below," and words of similar import refer to this application as a whole and not to any particular portions of this application. When the word "or" is used in reference to a list of two or more items, that word covers all of the following interpretations of the word: any of the items in the list, all of the items in the list and any combination of the items in the list.

The above description of embodiments of the systems and methods described herein is not intended to be exhaustive or to limit the systems and methods described to the precise form disclosed. While specific embodiments of, and examples for, the systems and methods described herein are described herein for illustrative purposes, various equivalent modifications are possible within the scope of other systems and methods, as those skilled in the relevant art will recognize. The teachings of the systems and methods described herein provided herein can be applied to other processing systems and methods, not only for the systems and methods described above.

The elements and acts of the various embodiments described above can be combined to provide further embodiments. These and other changes can be made to the systems and methods described herein in light of the above detailed description.

In general, in the following claims, the terms used should not be construed to limit the embodiments to the specific embodiments disclosed in the specification and the claims, but should be construed to include all systems that operate under the claims. Accordingly, the embodiments are not limited by the disclosure, but instead the scope of the embodiments is to be determined entirely by the claims.

While certain aspects of the embodiments are presented below in certain claim forms, the inventors contemplate the various aspects of the embodiments in any number of claim forms. Accordingly, the inventors reserve the right to add additional claims after filing the application to pursue such additional claim forms for other aspects of the embodiments described herein.

CLAIMS

What is claimed is:

1. A system comprising:
 - a plurality of headsets, wherein each headset is worn by a viewer of a plurality of viewers, each headset including at least one sensor and a transmitter, wherein the plurality of viewers is watching a media instance, wherein each headset receives physiological data from the corresponding viewer;
 - a plurality of signal collection devices, wherein each signal collection device receives the physiological data transmitted by the corresponding headset of a set of viewers of the plurality of viewers; and
 - a processing module that receives the physiological data from the plurality of signal collection devices, wherein the processing module derives from the physiological data a plurality of physiological responses of the plurality of viewers to the media instance.
2. The system of claim 1, wherein the processing module synchronizes the physiological data from the plurality of viewers.
3. The system of claim 1, wherein the processing module synchronizes the media instance and the physiological data from the plurality of viewers.
4. The system of claim 1, wherein each signal collection device removes data from the corresponding physiological data for a time period during which the corresponding viewer is not paying attention to the media instance before transferring the data to the processing module.
5. The system of claim 4, wherein the processing module interpolates physiological data from the time period when the viewer is paying attention to cover the data that has been removed.
6. The system of claim 1, wherein the physiological data is at least one of heart rate, brain waves, EEG signals, blink rate, breathing, motion, muscle movement, galvanic skin response, and a response correlated with change in emotion.

7. The system of claim 6, wherein the processing module removes artifacts of the physiological data.
8. The system of claim 1, wherein each signal collection device analyzes data quality of the physiological data as it is received from the corresponding set of viewers and, in response, generates feedback to the corresponding set of viewers regarding action to be taken to remedy an anomaly in quality of the physiological data.
9. The system of claim 8, wherein the anomaly is detected using at least one of heart rate, brain waves, EEG signals, blink rate, breathing, motion, muscle movement, and galvanic skin response.
10. The system of claim 1, wherein the at least one sensor includes a physiological sensor.
11. The system of claim 1, wherein the at least one sensor includes an electroencephalogram.
12. The system of claim 1, wherein the at least one sensor includes an accelerometer.
13. The system of claim 1, wherein the at least one sensor includes a blood oxygen sensor.
14. The system of claim 1, wherein the at least one sensor includes a galvanometer.
15. The system of claim 1, wherein the at least one sensor includes an electromyograph.
16. The system of claim 1, wherein the headset includes at least one dry EEG electrode.
17. The system of claim 1, wherein the headset includes at least one heart rate sensor.
18. The system of claim 1, wherein the headset includes at least one accelerometer.
19. The system of claim 1, wherein the headset includes at least one processor.

20. The system of claim 1, wherein the headset includes at least one wireless communication device.
21. The system of claim 1, wherein the plurality of physiological responses includes liking.
22. The system of claim 1, wherein the plurality of physiological responses includes thought.
23. The system of claim 1, wherein the plurality of physiological responses includes adrenaline.
24. The system of claim 1, wherein the plurality of physiological responses includes engagement.
25. The system of claim 1, wherein the plurality of physiological responses includes stress.
26. The system of claim 1, wherein the plurality of physiological responses includes frustration.
27. The system of claim 1, wherein the plurality of physiological responses includes immersion in the media instance.
28. The system of claim 1, comprising a rating module that rates the media instance based on the plurality of physiological responses from the plurality of viewers.
29. The system of claim 1, comprising a reaction database that stores at least one of the physiological data, the plurality of physiological responses, and analysis results of the physiological responses.
30. The system of claim 29, wherein the reaction database stores at least one of data of the media instance, and results of surveys presented to the plurality of viewers and corresponding to the media instance.

31. The system of claim 1, wherein the media instance is at least one of a television program, an advertisement, a movie, printed media, a website, computer application, a video game, and a live performance.
32. The system of claim 1, wherein the media instance is at least one of a product, product information, product content, media relating to product development.
33. The system of claim 1, wherein each set of viewers is located in a different area of a location, the location hosting the plurality of signal collection devices.
34. The system of claim 1, wherein each set of viewers is located at a different venue of a plurality of venues.
35. The system of claim 1, comprising a tutorial, wherein a computer coupled to the processing module automatically receives and installs the tutorial, wherein the tutorial comprises information relating to watching of the media instance and data collection during the watching.
36. The system of claim 35, wherein the tutorial automatically instructs the plurality of viewers in use of the headsets.
37. The system of claim 35, wherein the tutorial automatically determines the data quality.
38. A system comprising:
a headset including at least one sensor and a transmitter, the headset attached to a viewer watching a media instance at a venue, wherein the headset receives physiological data from the viewer and transmits the physiological data;
a signal collection device that receives the physiological data transmitted by the headset, wherein the signal collection device analyzes data quality of the physiological data as it is received from the viewer and, in response, generates feedback to the viewer regarding action to be taken to remedy non-optimal data quality, wherein the signal collection device transmits the physiological data; and

a processing module that receives the physiological data from the signal collection device, wherein the processing module derives from the physiological data a plurality of physiological responses of the viewer to the media instance.

39. A system comprising:

a plurality of headsets, wherein each headset is worn by a viewer of a plurality of viewers, and each viewer is located at a different venue of a plurality of venues, each headset including at least one sensor and a transmitter, wherein the plurality of viewers is watching a media instance, wherein each headset receives physiological data from the corresponding viewer;

a plurality of signal collection devices, wherein each signal collection device is located at a different venue of the plurality of venues, the signal collection device receiving the physiological data transmitted by the corresponding headset at that venue, wherein each signal collection device analyzes data quality of the physiological data as it is received from the corresponding viewer and, in response, generates feedback to the corresponding viewer regarding action to be taken to remedy an anomaly in quality of the physiological data; and

a processing module that receives the physiological data from the plurality of signal collection devices, wherein the processing module generates aggregated data by aggregating the physiological data of the plurality of viewers, wherein the processing module provides controlled access to the aggregated data and the media instance.

40. A system comprising:

a plurality of headsets, wherein each headset is worn by a viewer of a plurality of viewers, and each viewer is located at a different venue of a plurality of venues, each headset including at least one sensor and a transmitter, wherein the plurality of viewers is watching a media instance, wherein each headset receives physiological data from the corresponding viewer;

a plurality of signal collection devices, wherein each signal collection device is located at a different venue of the plurality of venues, the signal collection device receiving the physiological data transmitted by the corresponding headset at that venue, wherein each signal collection device analyzes data quality of the physiological data as it is received from the corresponding viewer and, in response, generates feedback to the corresponding viewer regarding action to be taken to remedy an anomaly in quality of the physiological data; and

a processing module that receives the physiological data from the plurality of signal collection devices, wherein the processing module generates synchronized data by synchronizing the aggregated data with the media instance.

41. A system comprising:

a plurality of headsets, wherein each headset is worn by a viewer of a plurality of viewers, each headset including at least one sensor and a transmitter, wherein the plurality of viewers is watching a media instance, wherein each headset receives physiological data from the corresponding viewer;

a plurality of signal collection devices, wherein each signal collection device receives the physiological data transmitted by the corresponding headset of a set of viewers of the plurality of viewers; and

a processing module that receives the physiological data from the plurality of signal collection devices, wherein the processing module generates synchronized data by synchronizing the physiological data from the plurality of viewers, and synchronizing the synchronized data with the media instance.

42. A system comprising:

a plurality of headsets, wherein each headset is worn by a viewer of a plurality of viewers, and each viewer is located at a different venue of a plurality of venues, each headset including at least one sensor and a transmitter, wherein the plurality of viewers is watching a media instance, wherein each headset receives physiological data from the corresponding viewer;

a plurality of signal collection devices, wherein each signal collection device is located at a different venue of the plurality of venues, the signal collection device receiving the physiological data transmitted by the corresponding headset at that venue; and

a processing module that receives the physiological data from the plurality of signal collection devices, wherein the processing module generates synchronized data by synchronizing the physiological data from the plurality of viewers, and synchronizing the synchronized data with the media instance.

43. A system comprising:

a plurality of headsets, wherein each headset is worn by a viewer of a plurality of

viewers, and each viewer is located at a different venue of a plurality of venues, each headset including at least one sensor and a transmitter, wherein the plurality of viewers is watching a media instance, wherein each headset receives physiological data from the corresponding viewer;

a plurality of signal collection devices, wherein each signal collection device is located at a different venue of the plurality of venues, the signal collection device receiving the physiological data transmitted by the corresponding headset at that venue, wherein each signal collection device removes data from the corresponding physiological data for a time period during which the corresponding viewer is not paying attention to the media instance; and

a processing module that receives the physiological data from the plurality of signal collection devices, wherein the processing module generates synchronized data by synchronizing the physiological data from the plurality of viewers with the media instance.

44. A method comprising:

receiving physiological data from a plurality of viewers via a plurality of headsets worn by each of the plurality of viewers, the plurality of viewers watching a media instance;

receiving the physiological data from the plurality of headsets at a plurality of signal collection devices, wherein each signal collection device receives the physiological data transmitted by the corresponding headset of a set of viewers of the plurality of viewers;

analyzing data quality of the physiological data as it is received from the corresponding set of viewers and, in response, generating feedback to the corresponding set of viewers regarding action to be taken to remedy an anomaly in quality of the physiological data; and

receiving the physiological data from the plurality of signal collection devices at a processing module and deriving from the physiological data a plurality of physiological responses of the plurality of viewers to the media instance.

45. The method of claim 44, comprising synchronizing the physiological data from the plurality of viewers.

46. The method of claim 44, comprising synchronizing the media instance and the physiological data from the plurality of viewers.

47. The method of claim 44, comprising removing data from the corresponding physiological data for a time period during which the corresponding viewer is not paying attention to the media instance before transferring the data to the processing module.
48. The method of claim 47, comprising interpolating physiological data from the time period when the viewer is paying attention to cover the data that has been removed.
49. The method of claim 44, comprising detecting the anomaly using at least one of heart rate, brain waves, EEG signals, blink rate, breathing, motion, muscle movement, and galvanic skin response.
50. The method of claim 44, comprising removing artifacts of the physiological data.
51. The method of claim 44, comprising rating the media instance based on the plurality of physiological responses from the plurality of viewers.
52. The method of claim 44, comprising storing at least one of the physiological data, the plurality of physiological responses, and analysis results of the physiological responses.
53. The method of claim 52, comprising storing at least one of data of the media instance, and results of surveys presented to the plurality of viewers and corresponding to the media instance.
54. The method of claim 44, wherein the physiological data is at least one of heart rate, brain waves, electroencephalogram (EEG) signals, blink rate, breathing, motion, muscle movement, galvanic skin response, and a response correlated with change in emotion.
55. The method of claim 44, wherein receiving physiological data comprises sensing the physiological data using at least one of a physiological sensor, an electroencephalogram (EEG), an accelerometer, a blood oxygen sensor, a galvanometer, an electromyograph, a dry EEG electrode, and a heart rate sensor.

56. The method of claim 44, wherein the plurality of physiological responses includes at least one of liking, thought, adrenaline, engagement, and immersion in the media instance.

57. The method of claim 44, wherein the media instance is at least one of a television program, an advertisement, a movie, printed media, a website, computer application, a video game, live performance, a product, product information, product content, media relating to product development.

58. The method of claim 44, wherein each set of viewers is located in a different area of a location, the location hosting the plurality of signal collection devices.

59. The method of claim 44, wherein each set of viewers is located at a different venue of a plurality of venues.

60. The method of claim 44, comprising automatically providing a tutorial to the plurality of viewers via a computer, wherein the computer automatically receives and installs the tutorial, wherein the tutorial comprises information relating to watching of the media instance and data collection during the watching.

61. The method of claim 60, comprising automatically instructing the plurality of viewers in use of the headsets.

62. The method of claim 60, comprising automatically determining the data quality.

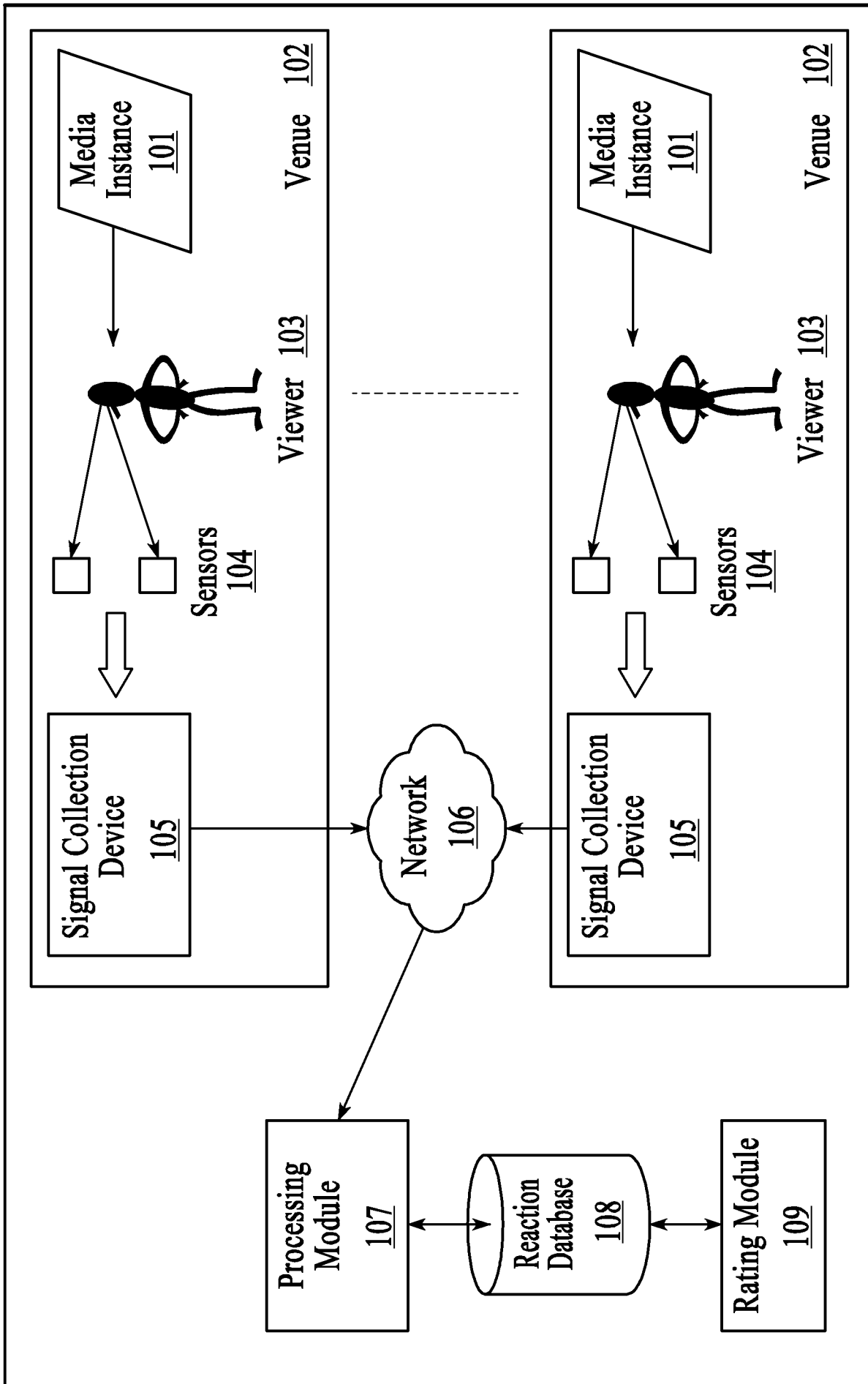


FIG.1

2/22

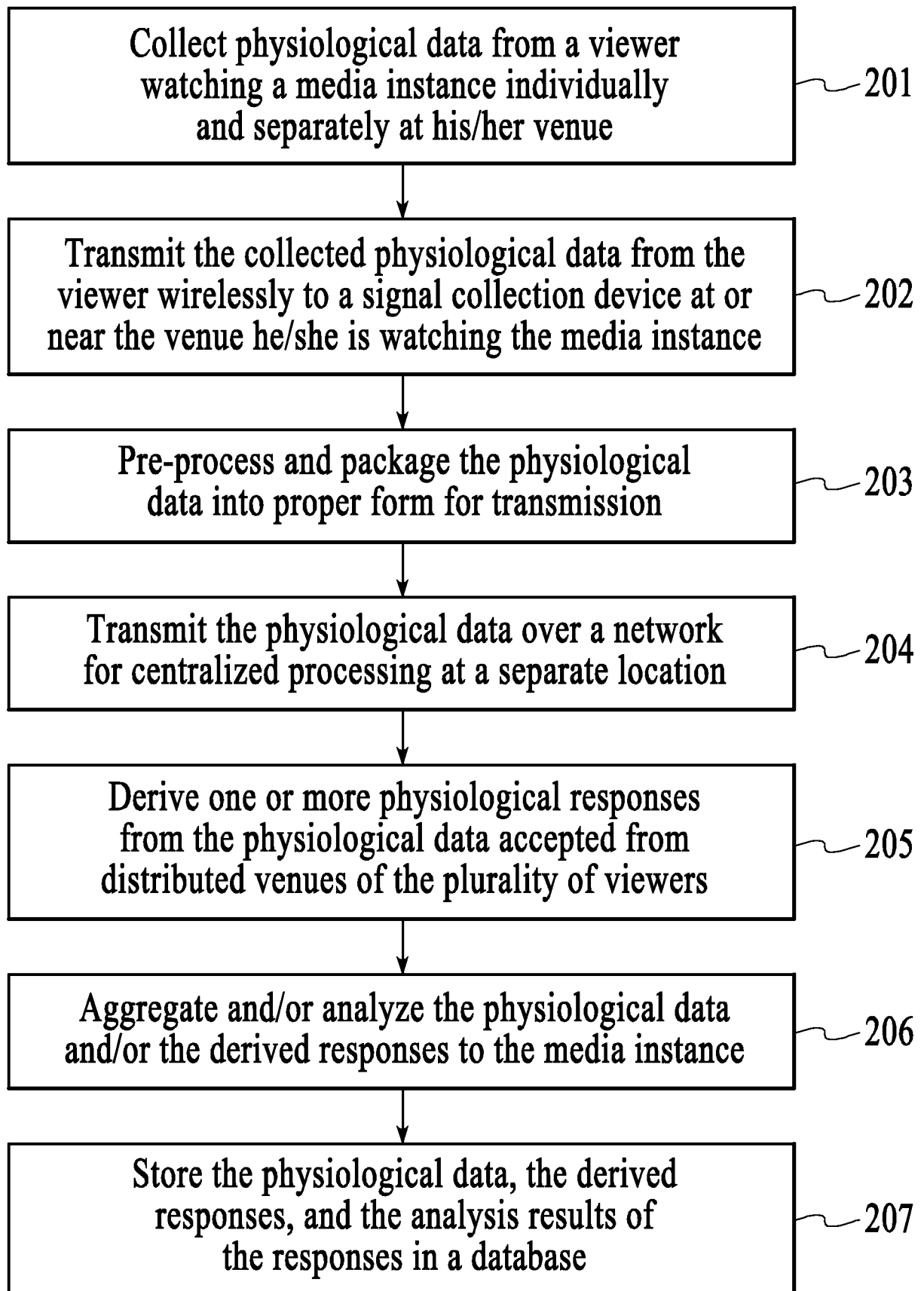


FIG.2

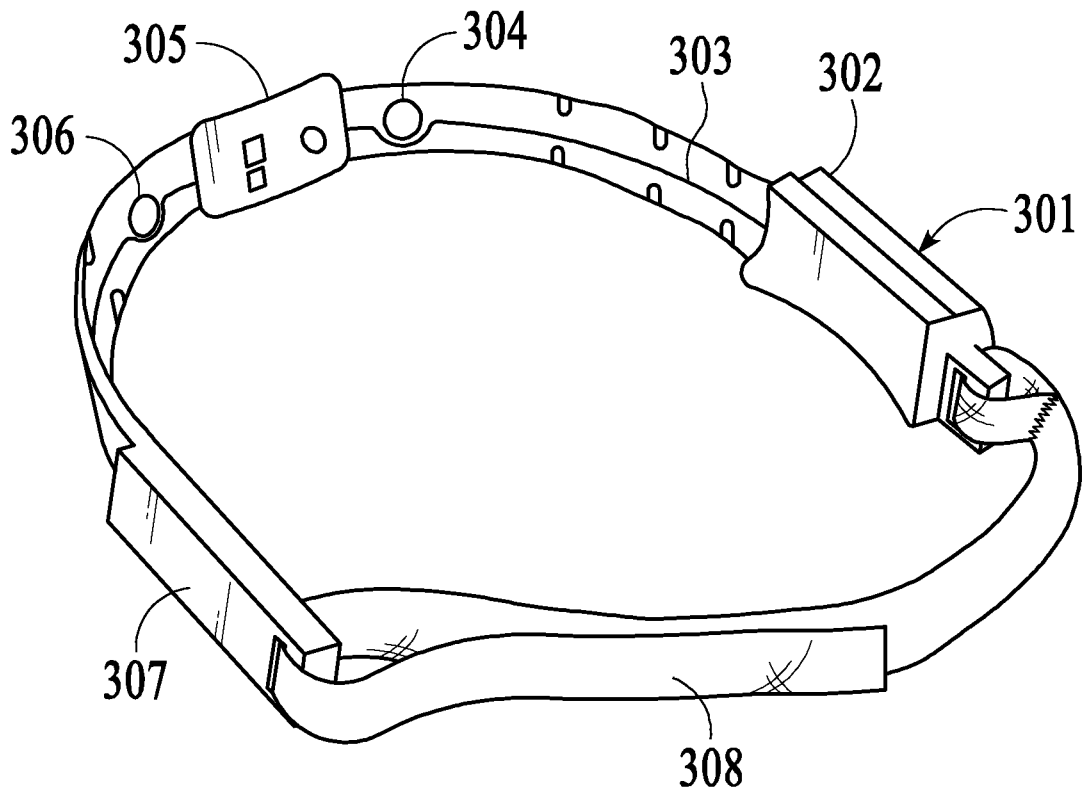


FIG.3

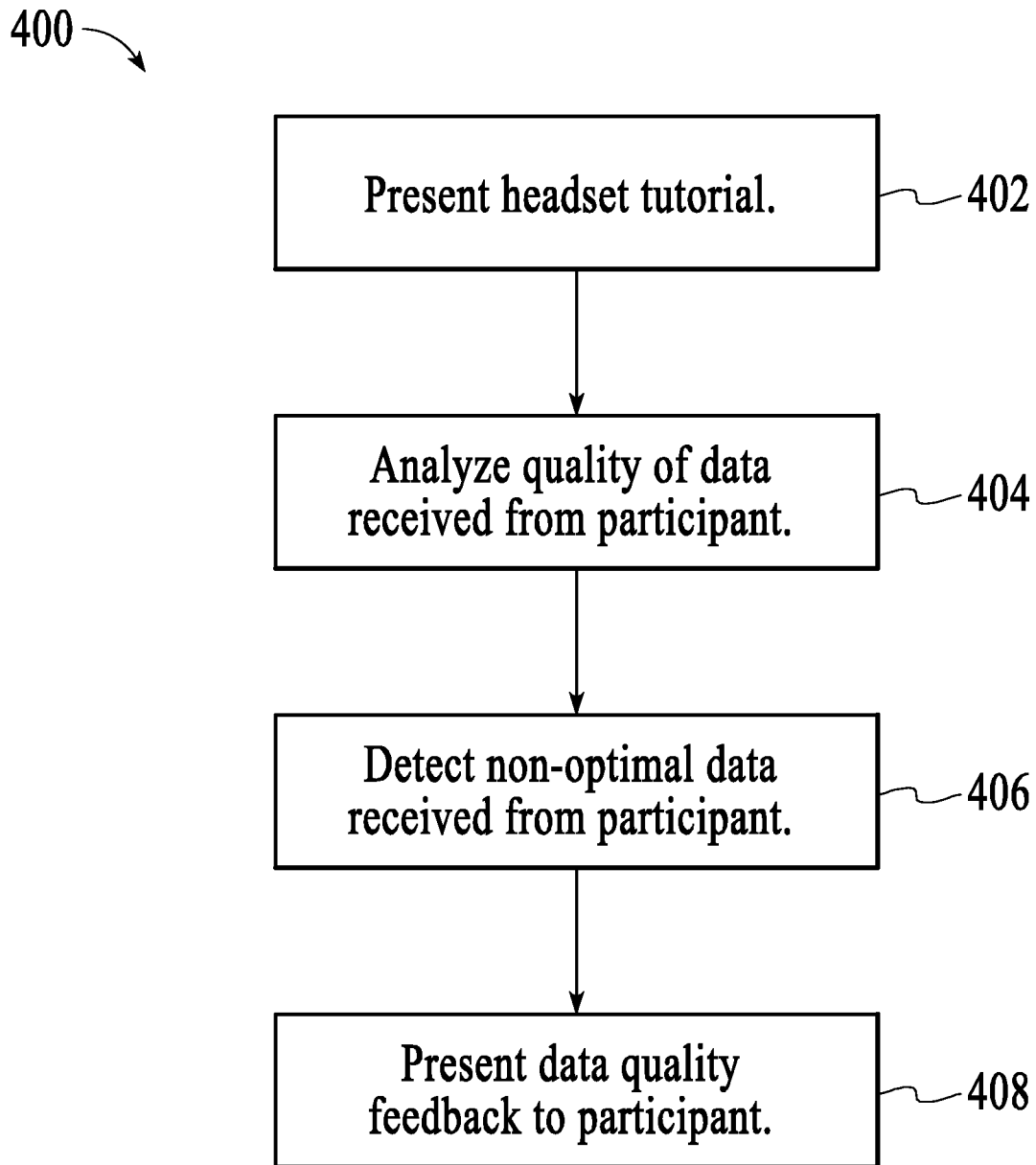
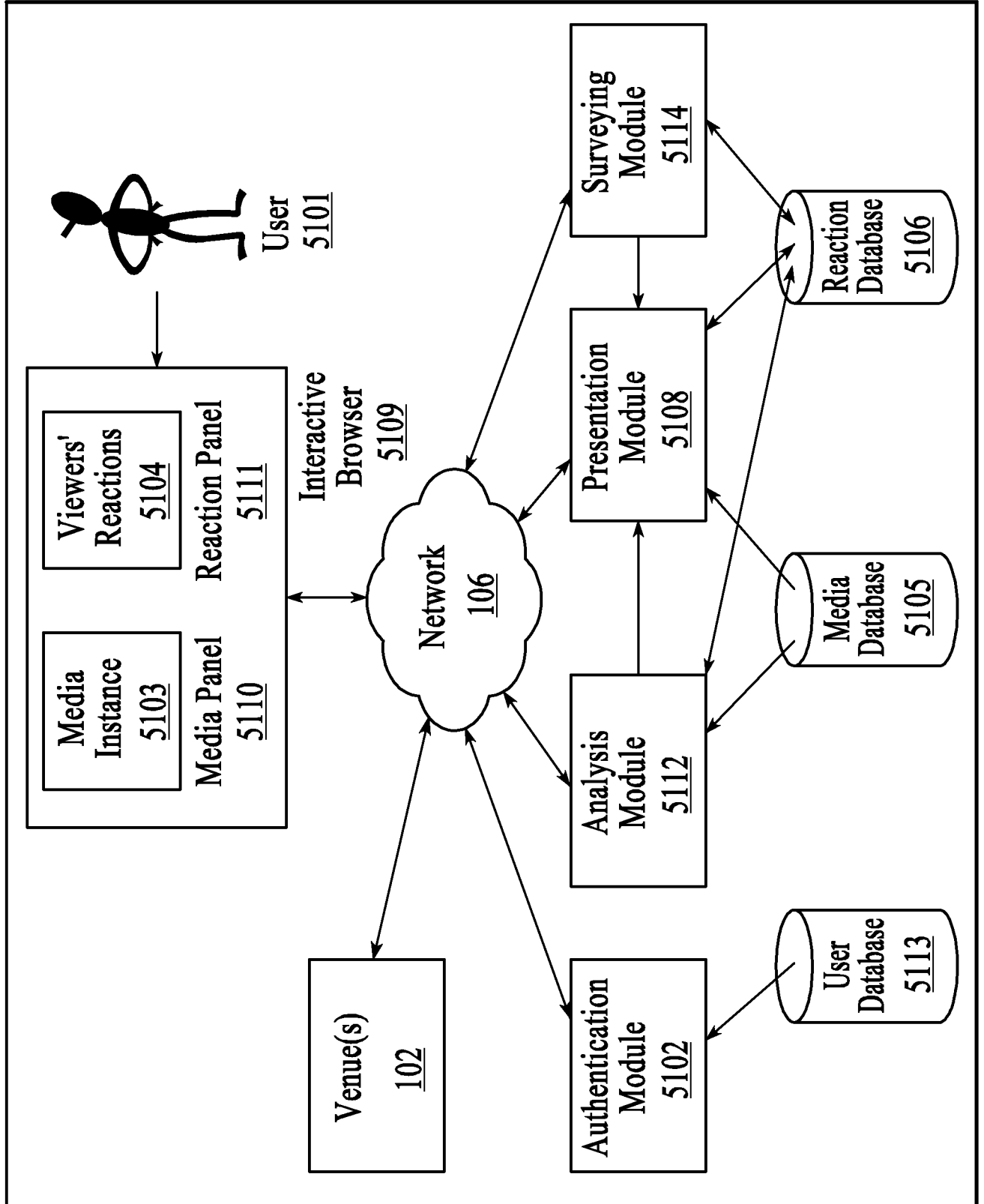


FIG.4

FIG.5



6/22

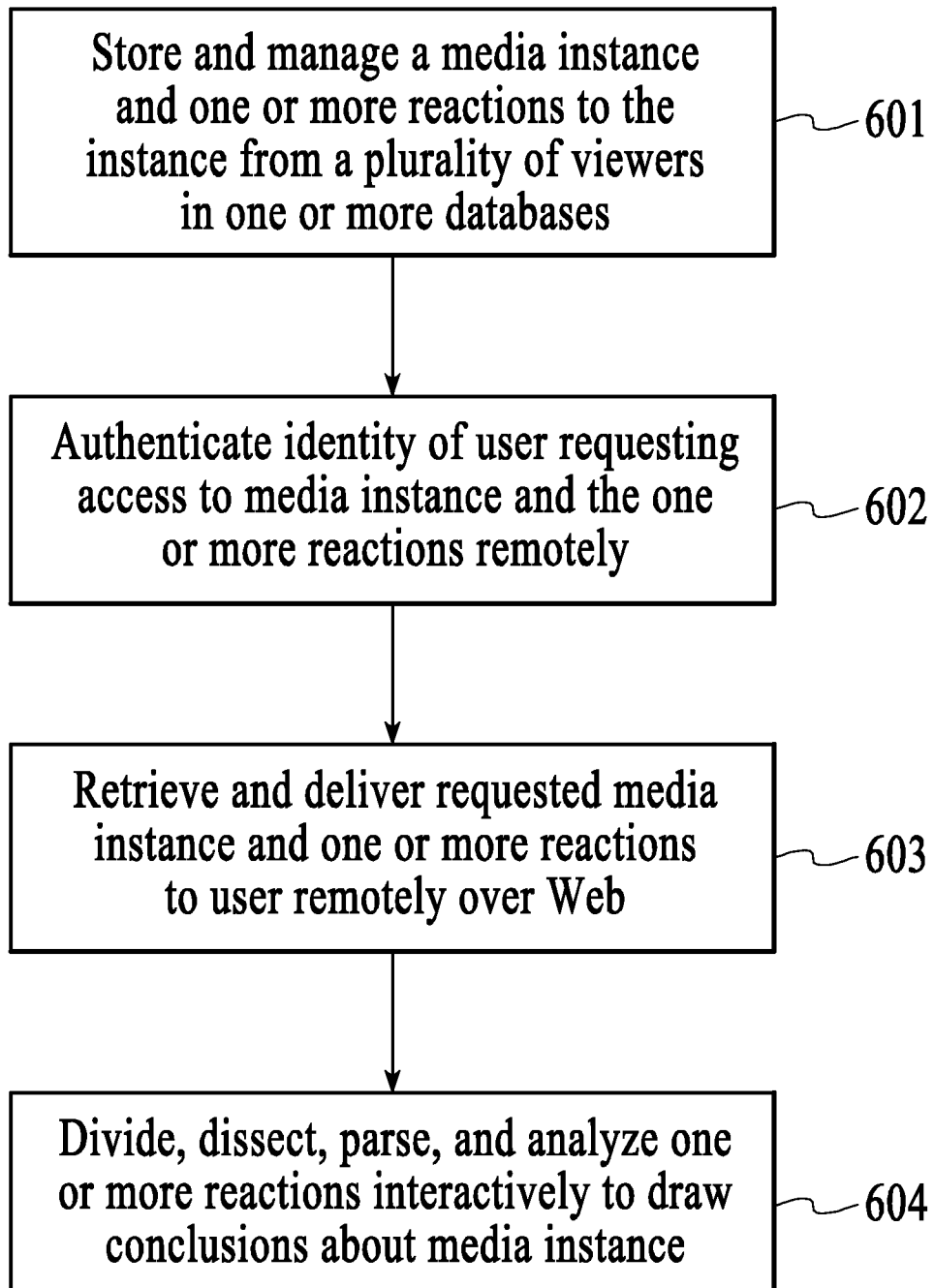
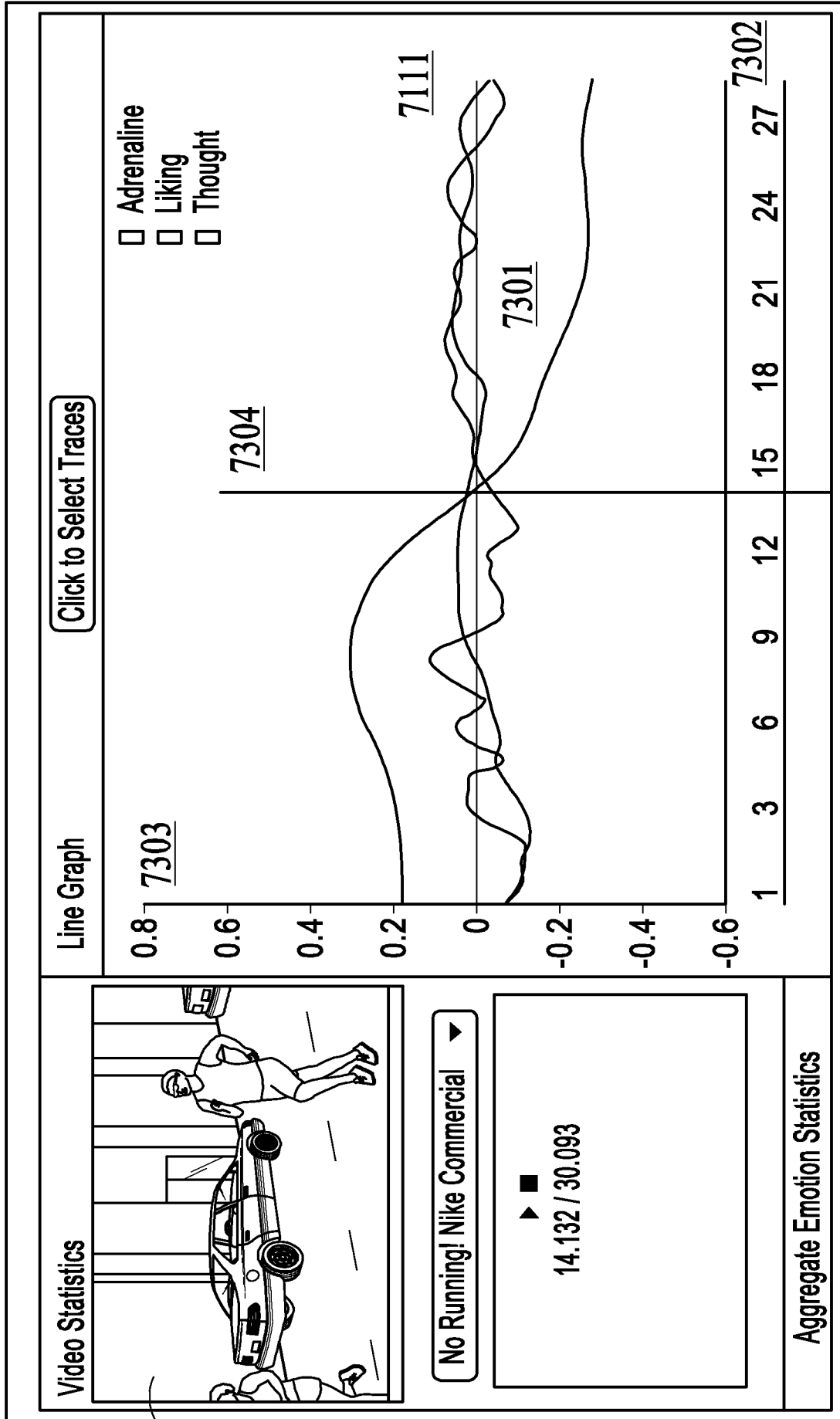


FIG.6

7/22



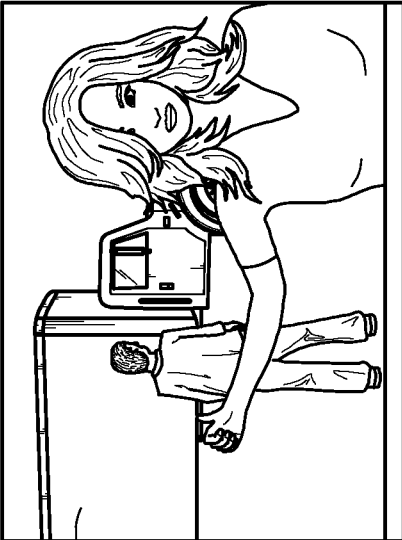
7110

7109

FIG. 7

7110

Video Statistics



No Running! Nike Commercial ▾

▶ ■ 17.894000000000002 / 30.093

Aggregate Emotion Statistics

Search Verbatim **Search**

7111

Verbatims

It Rocks! **501**

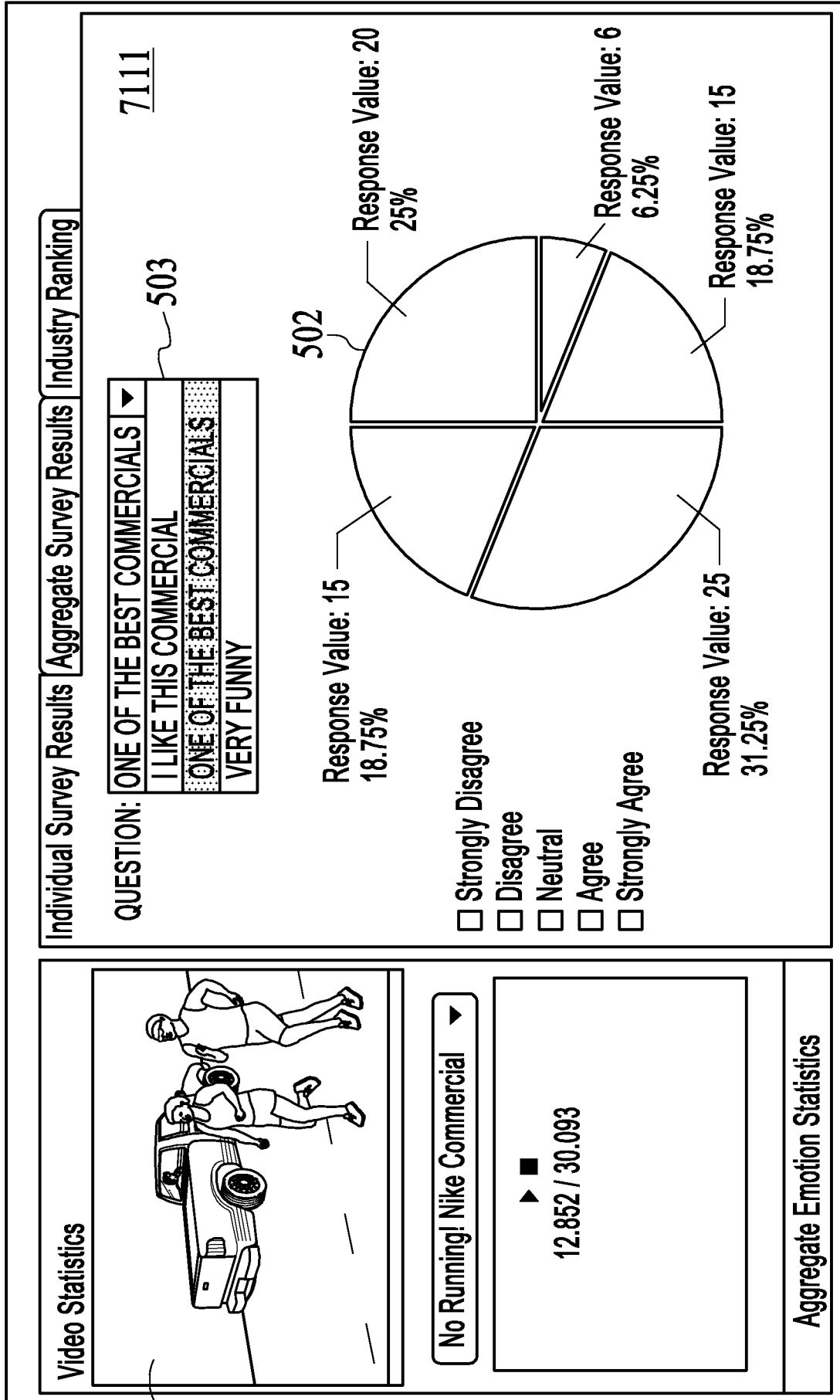
I found the commercial to be pretty boring, although that last scene at the end was pretty cool. Because it was a little bit funny, yet informative and appealing to the intellect, and working professionals The ad is pretty clear, but it just didn't get me excited at all. It was the smartest, most clever of all... Kept me engaged, humorous and kept me interested because it related to It was engaging and relevant. Most people can probably relate and immediately understand why they may need the Clever, funny, Totally and completely reliable.

View Selected Verbatim

↖ 7109

FIG.8

9/22



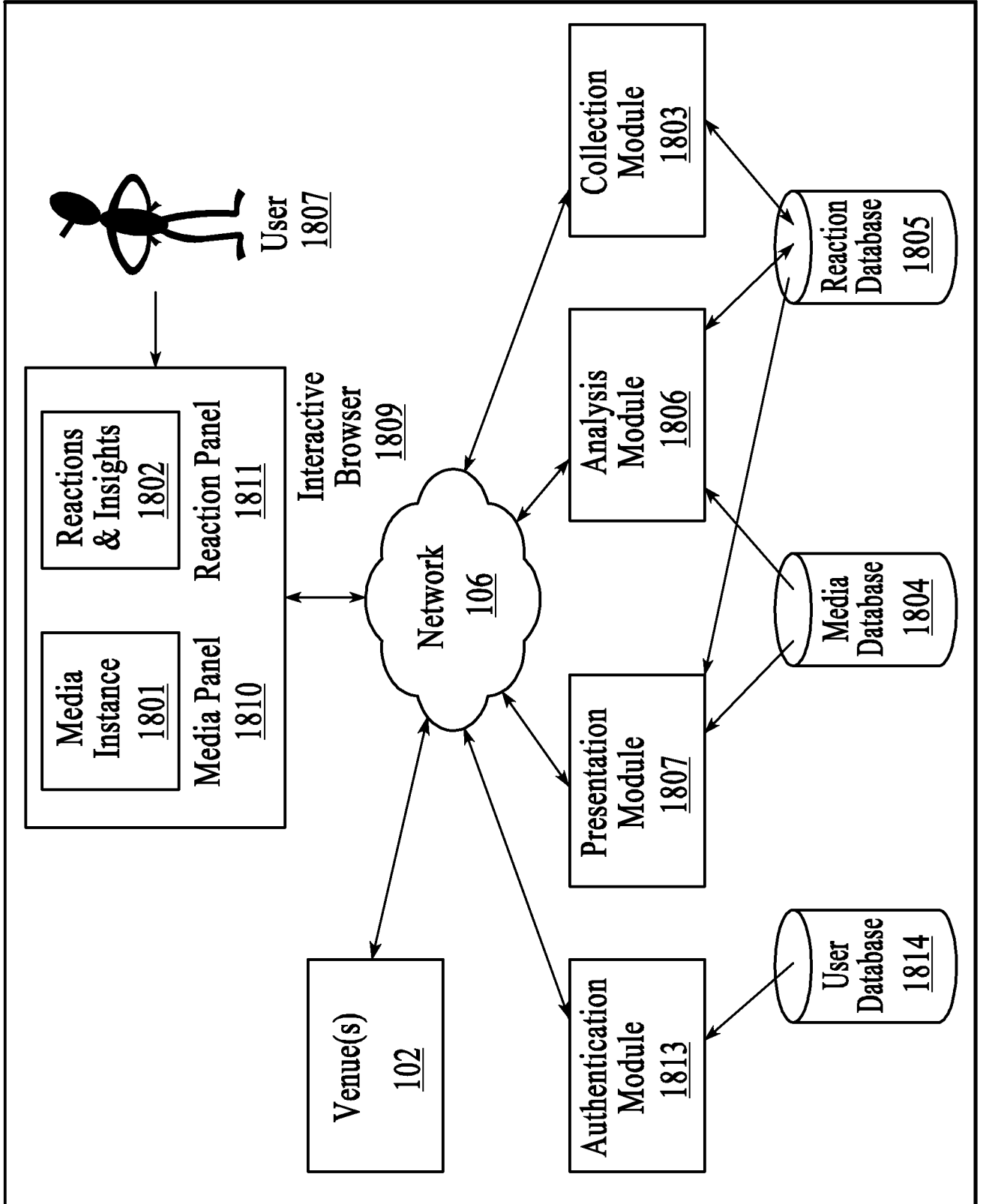
7110

7109

FIG. 9

10/22

FIG.10



11/22

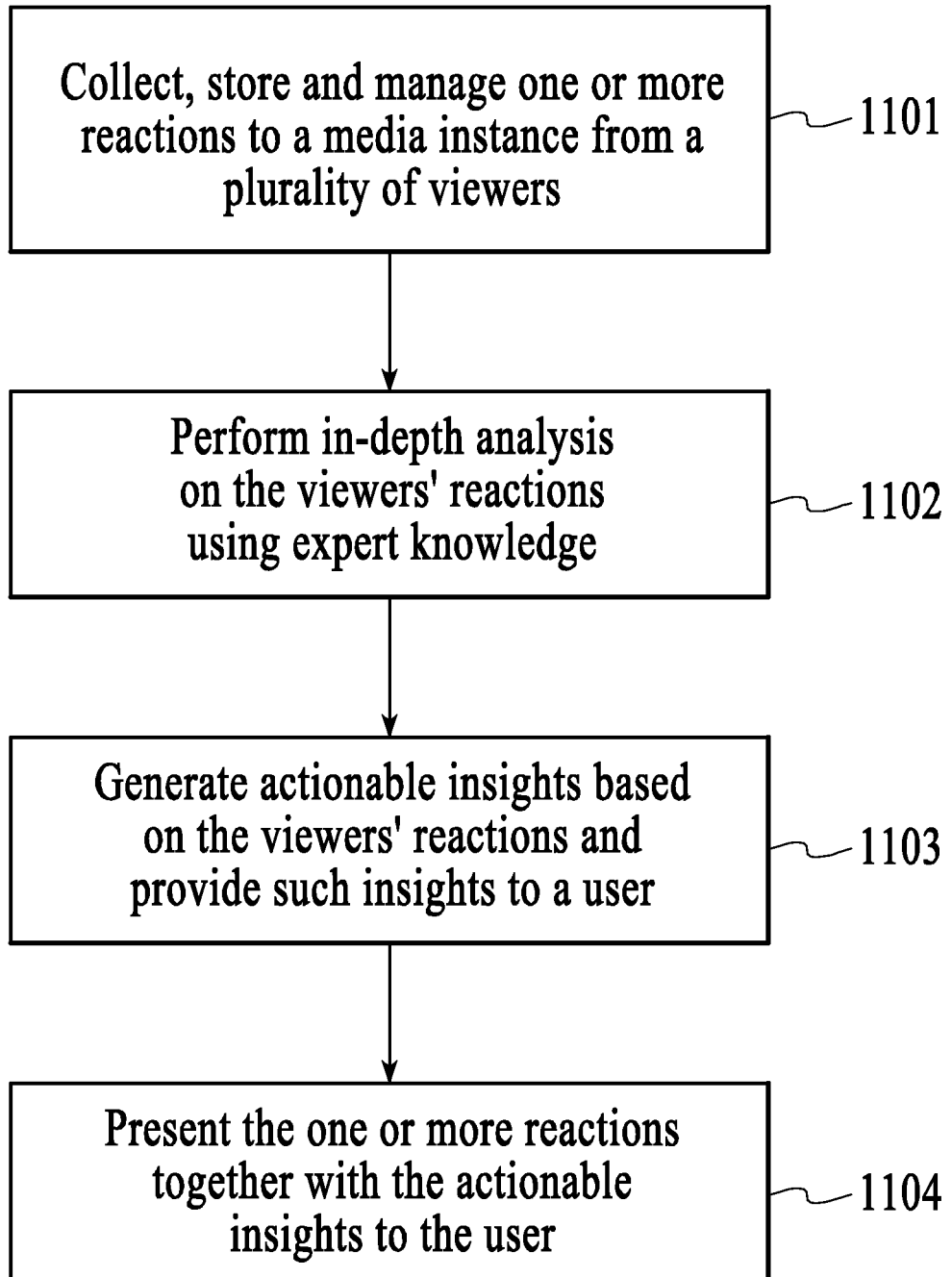


FIG.11

12/22

1011

Published Media Cell Viewer Catch Phrase

Events Traces Views Questions

SHOW CELL DETAILS

SHOW STATISTICS

Catch Phrase

Budweiser
Cell: Core

archived for editorial use via AD-RAG.com
and ADTOANOTHERONE.com

Enter supporting paragraph:

Thought follows a very regular sinusoidal pattern throughout this advertisement. This is often a result of tension-resolution cycles that are used to engage viewers by putting them in situations where they are forced to think intensely about what they are seeing and then rewarding them with the resolution of the situation.

Enter the question:

What was the Thought cycle over the Ad?

What was the Thought cycle over the Ad?

1004

+ -

view close

FIG.12

1007

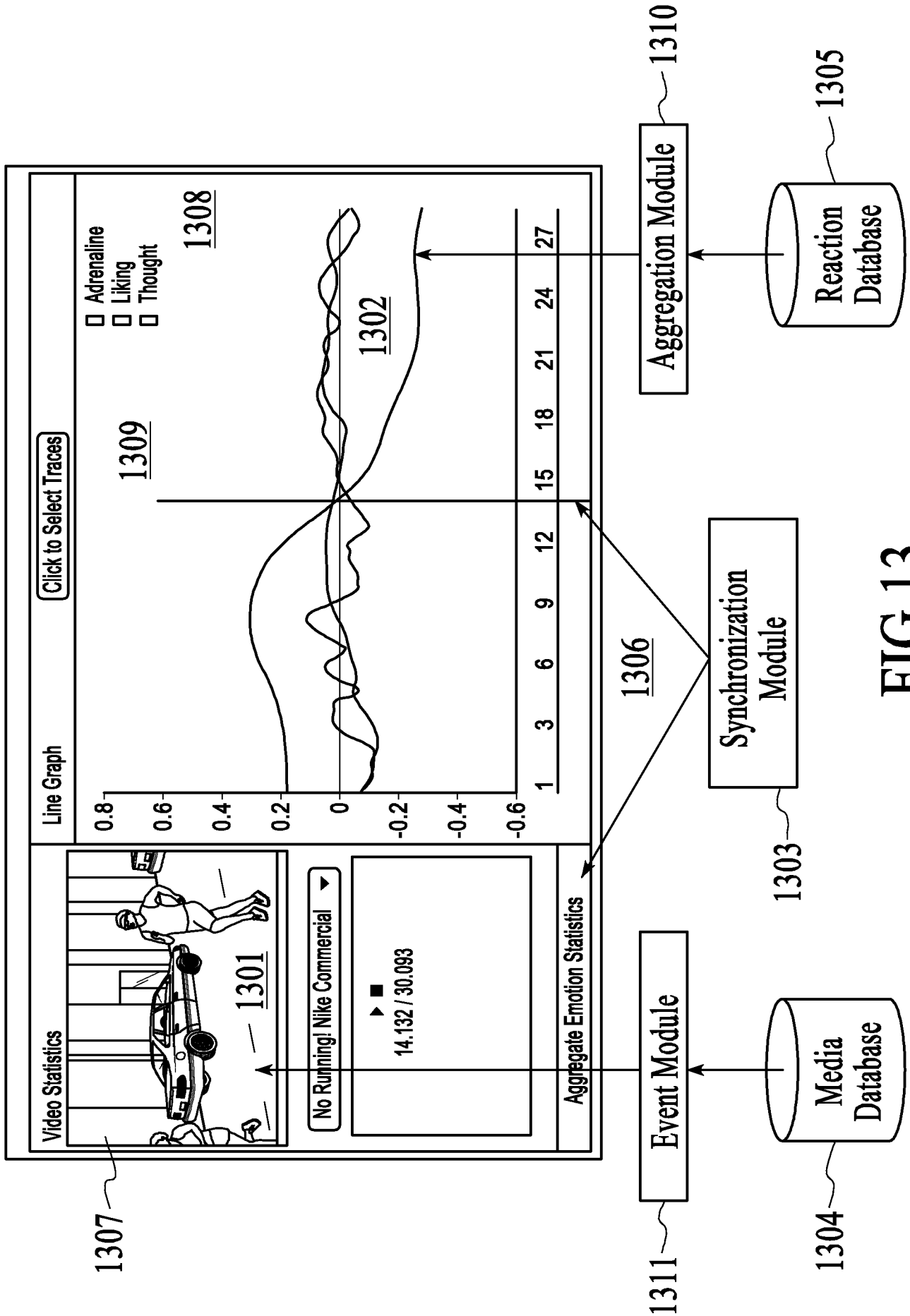


FIG.13

14/22

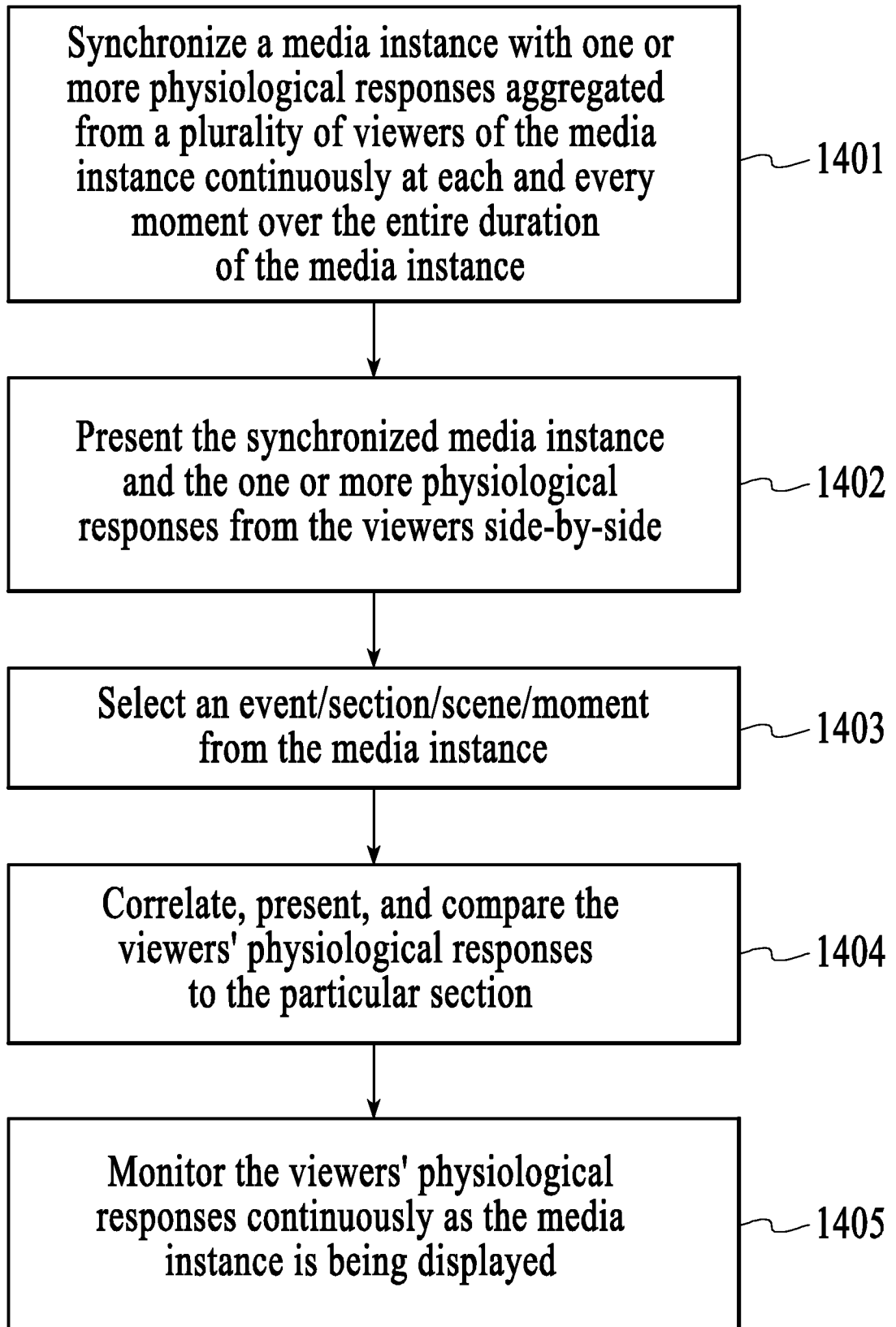
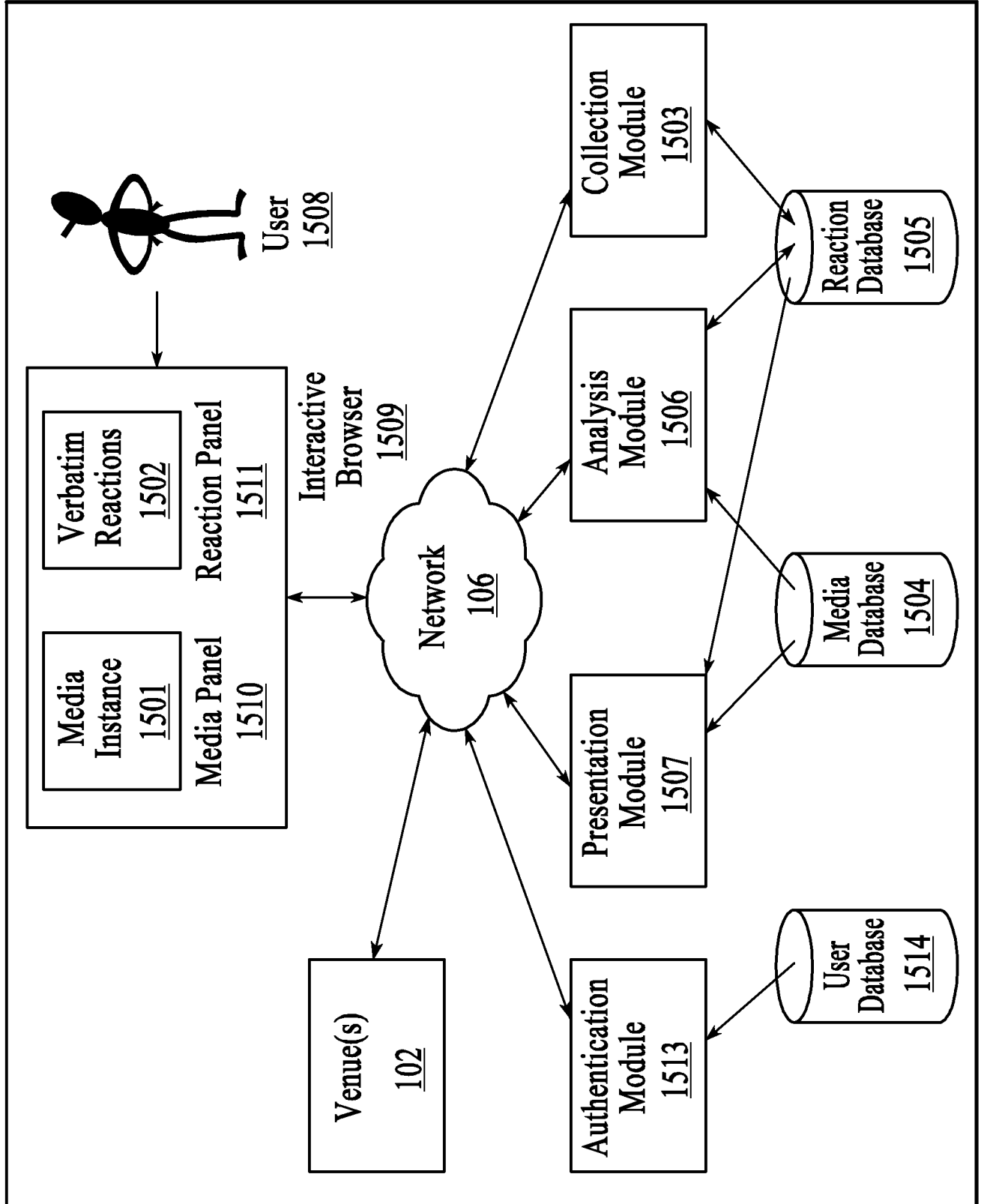


FIG.14



16/22

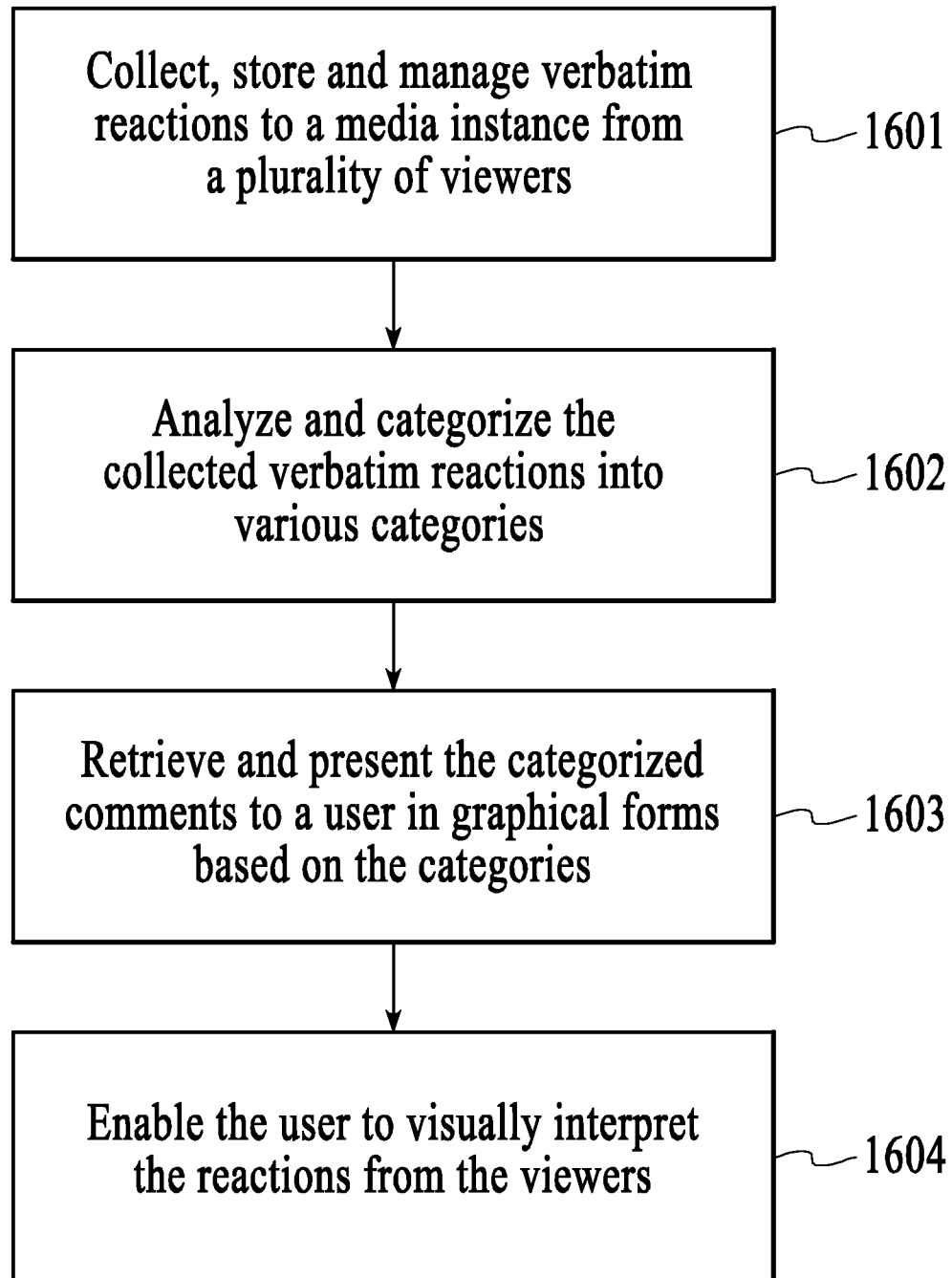


FIG.16

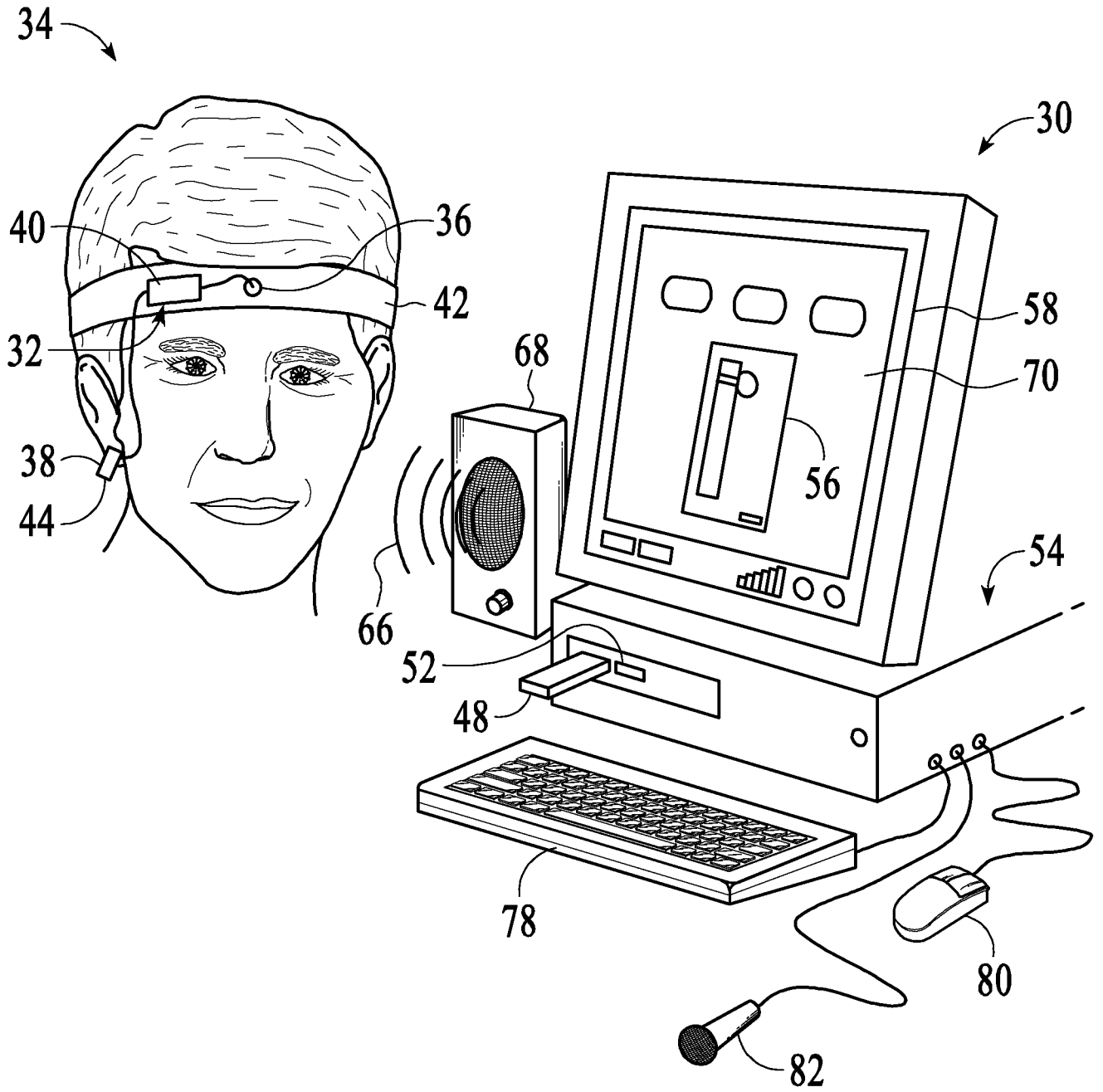


FIG.17

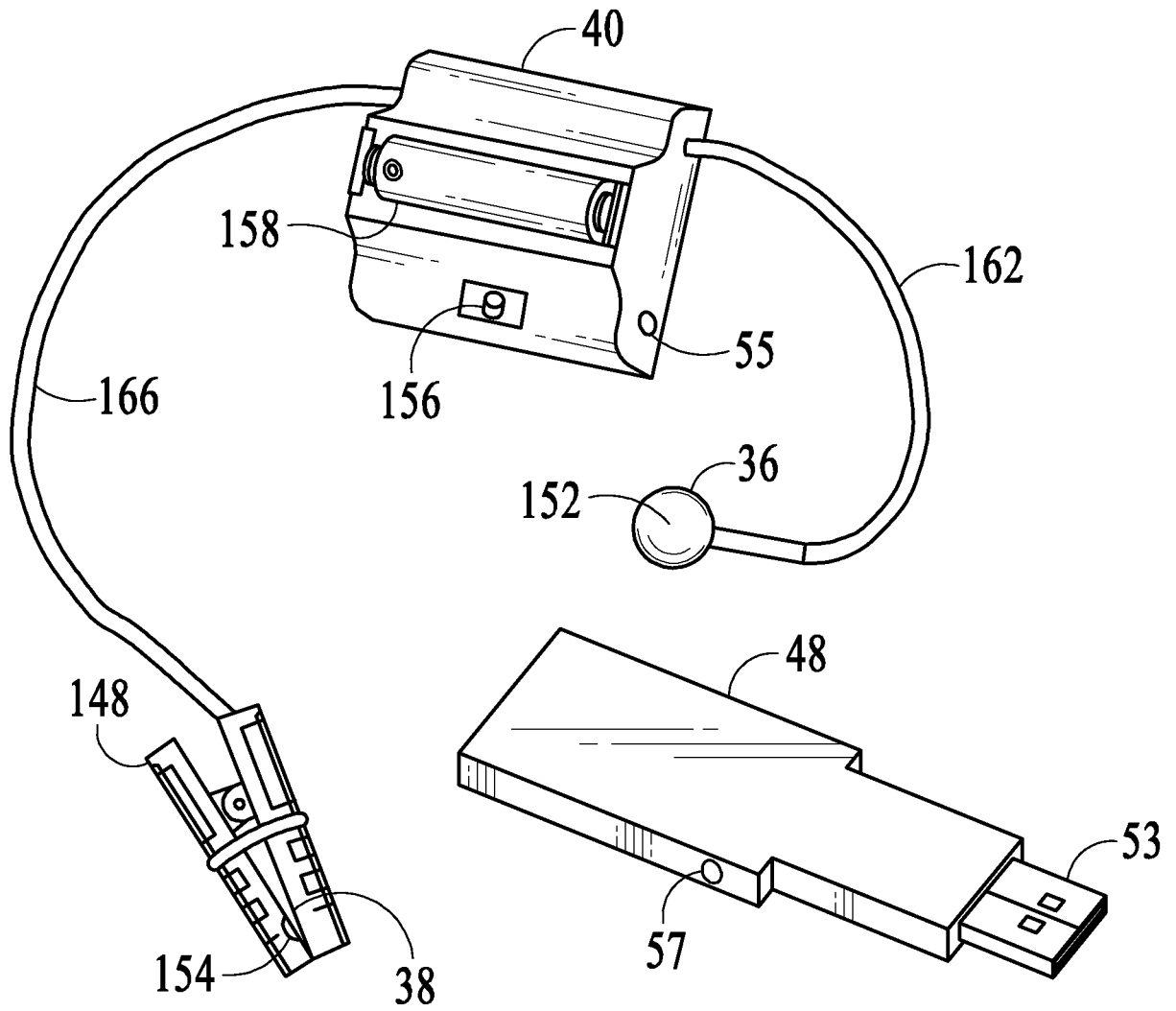


FIG.18

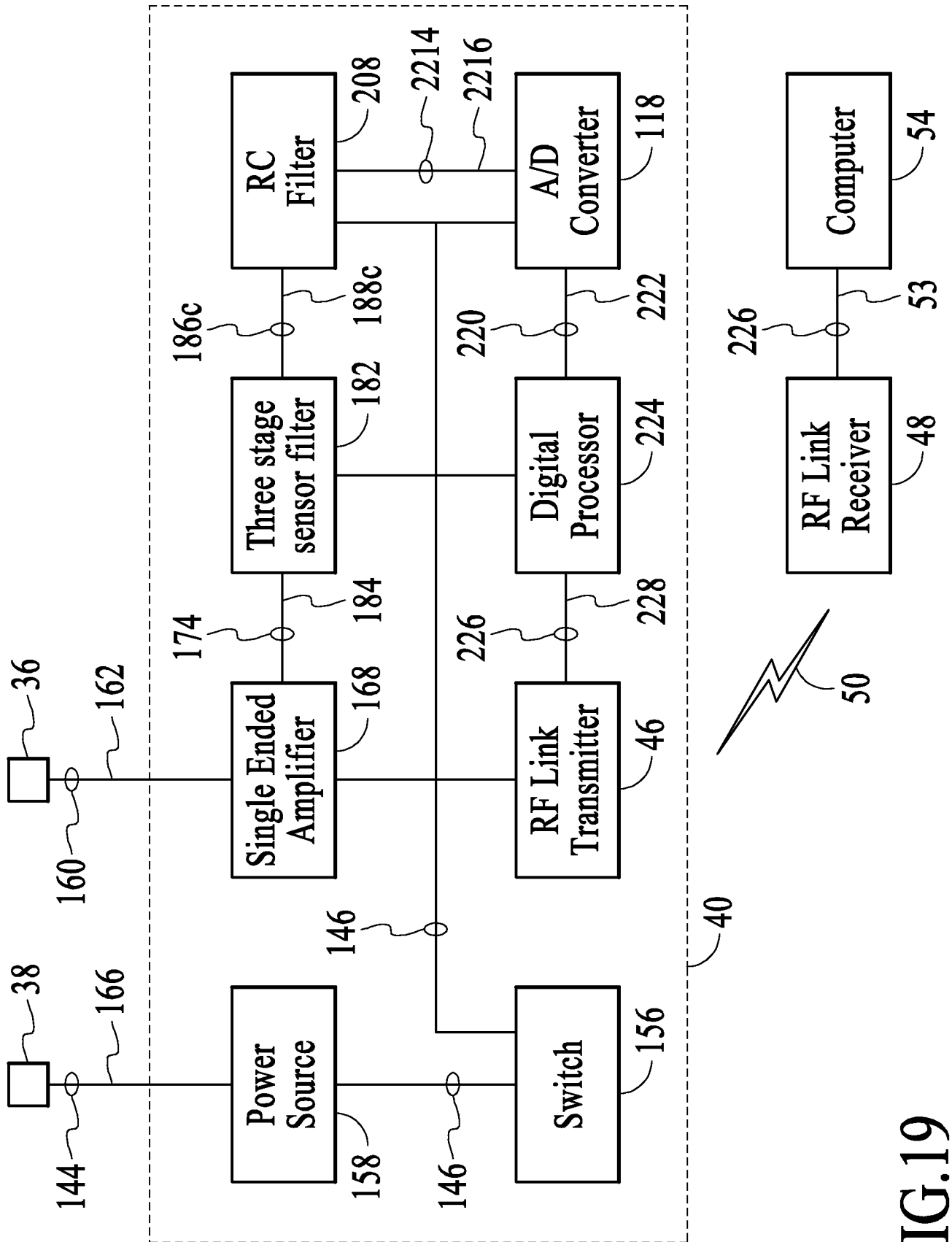


FIG.19

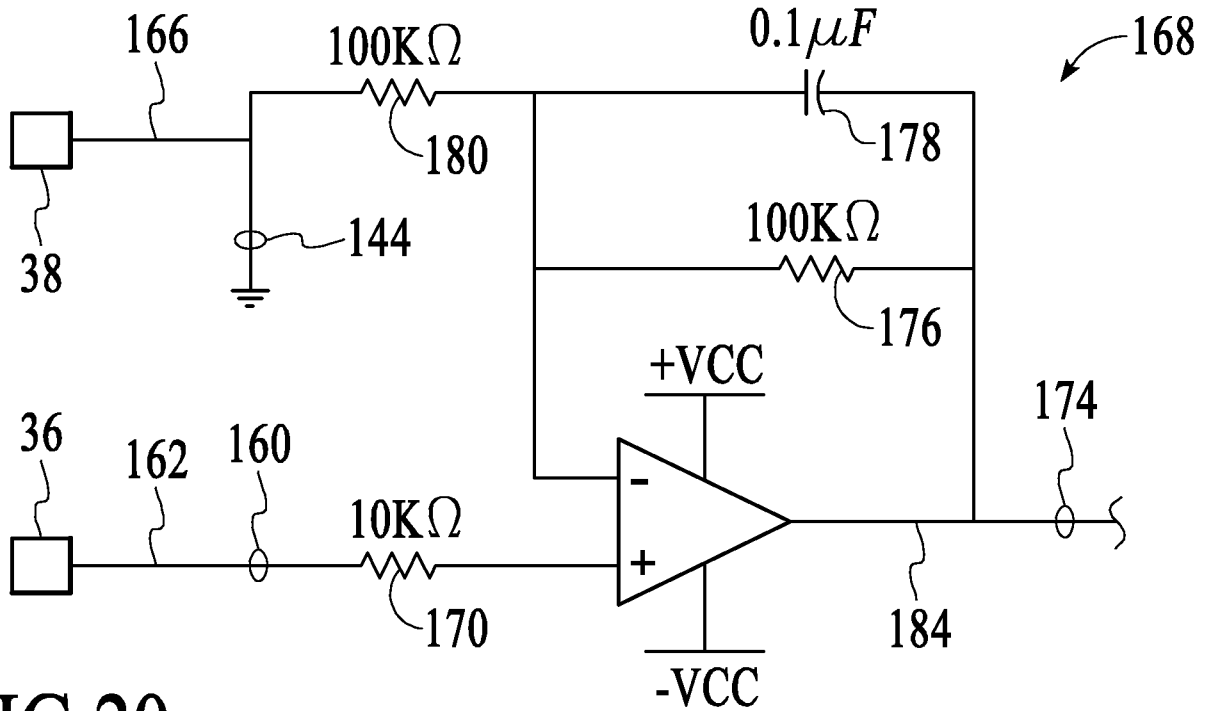


FIG.20

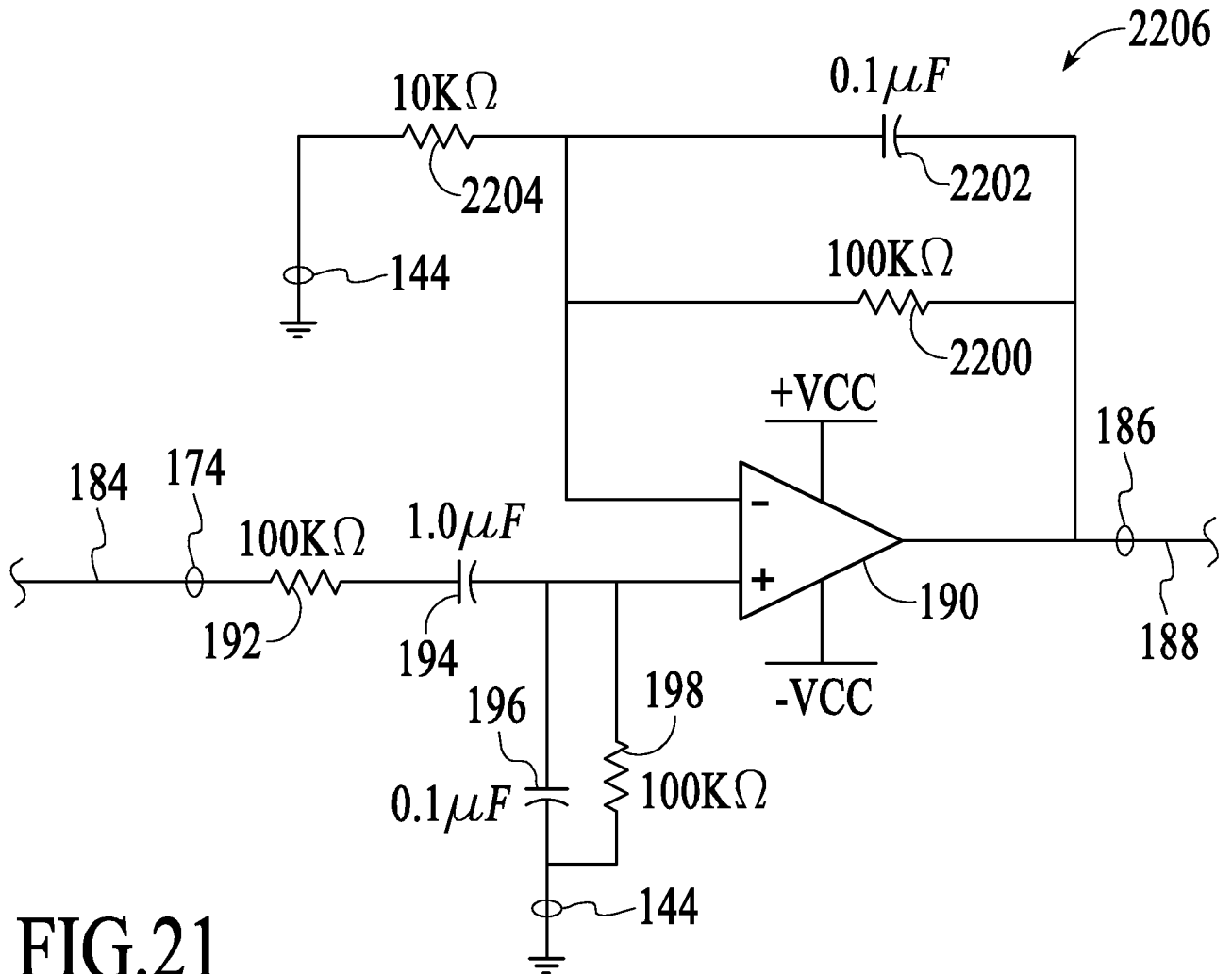


FIG.21

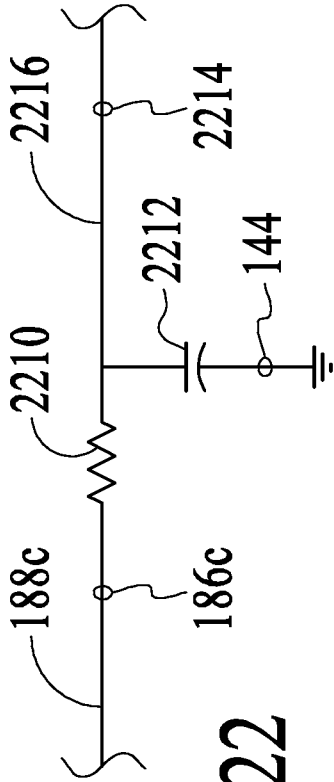


FIG.22

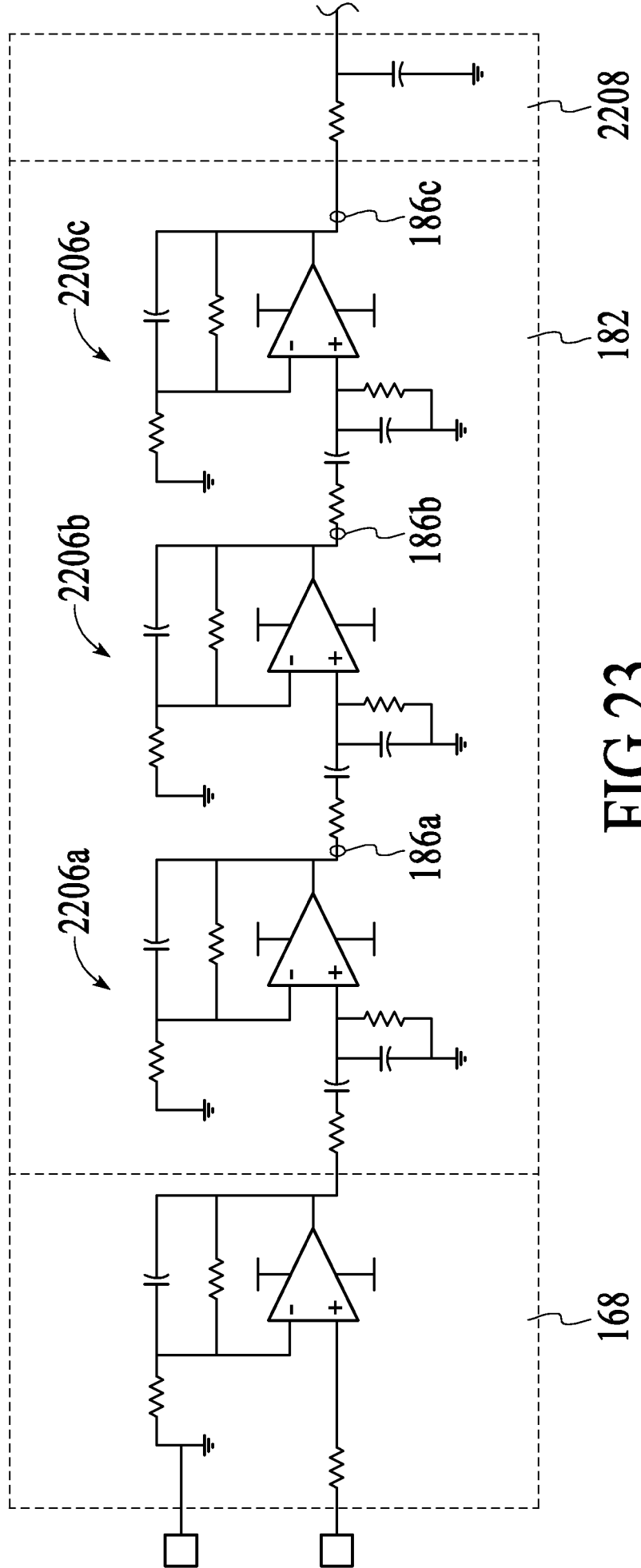


FIG.23

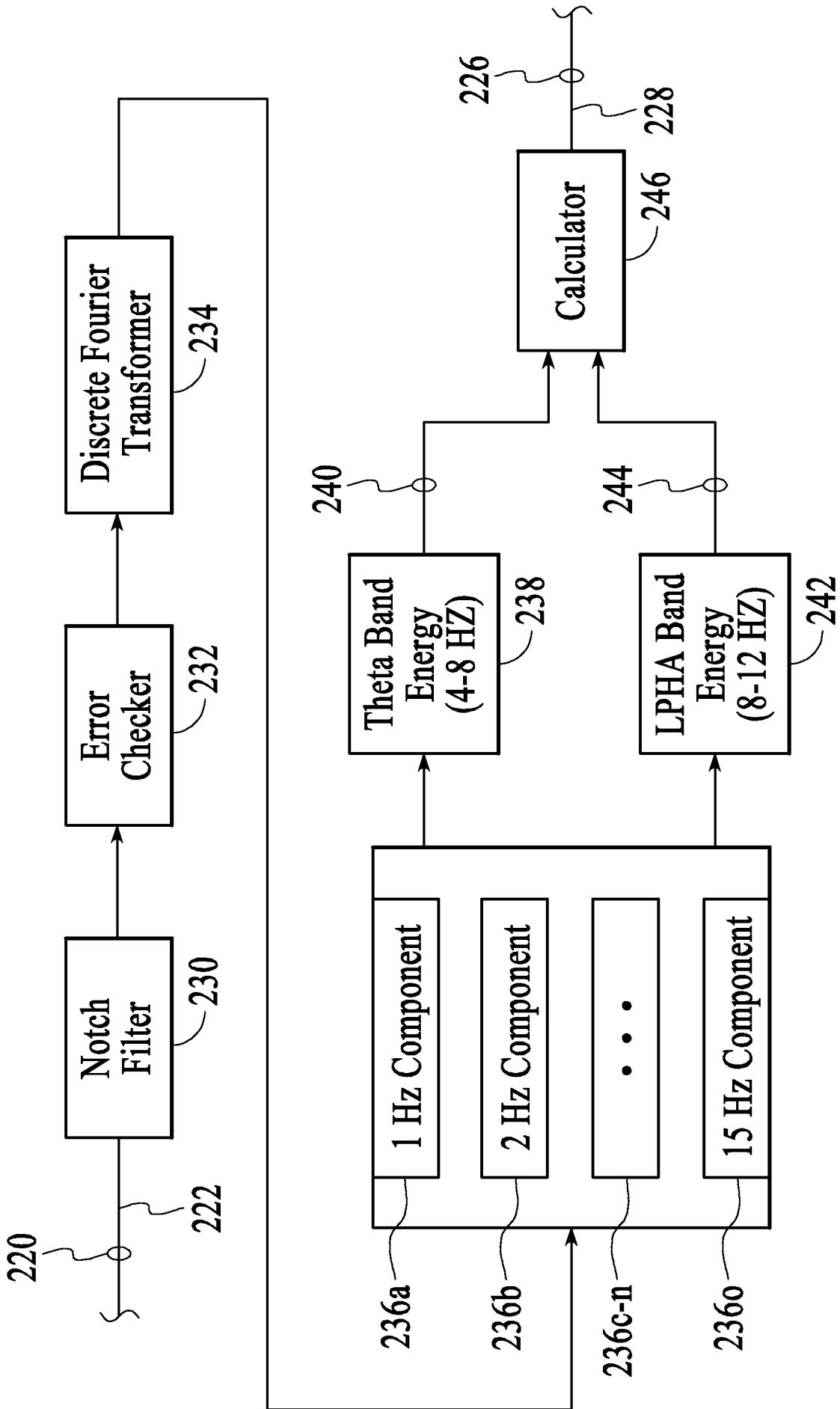


FIG.24

INTERNATIONAL SEARCH REPORT

International application No.

PCT/US 08/82149

A. CLASSIFICATION OF SUBJECT MATTER IPC(8) - A61B 5/00 (2008.04) USPC - 600/301 According to International Patent Classification (IPC) or to both national classification and IPC		
B. FIELDS SEARCHED Minimum documentation searched (classification system followed by classification symbols) USPC: 600/301 Documentation searched other than minimum documentation to the extent that such documents are included in the fields searched USPC: 600/300, 301; 705/1, 10; search terms below Electronic data base consulted during the international search (name of data base and, where practicable, search terms used) PubWEST(PGPB,USPT,USOC,EPAB,JPAB), Google - headset, wear, worn, head, physiological, response, media, viewer, group, plurality, individual, person, people, test audience, headband, sensor, attention, attentive, adrenaline		
C. DOCUMENTS CONSIDERED TO BE RELEVANT		
Category*	Citation of document, with indication, where appropriate, of the relevant passages	Relevant to claim No.
Y	US 6,656,116 B2 (KIM et al.) 2 December 2003 (02.12.2003) entire document, especially col 3, ln 2-32; col 4, ln 6-47; col 5, ln 14-21	1-62
Y	US 6,309,342 B1 (BLAZEY et al.) 30 October 2001 (30.10.2001) especially col 6, ln 46-57; Fig. 3	1-62
Y	Technology Platform: SmartShirt + Eye-Tracking. Innerscope Research, March 2007 [retrieved on 2009 01 02]. Retrieved from the Internet: <url: http://web.archive.org/web/20070314011241/www.innerscoperesearch.com/pages/technology.html >. entire web page	1-62
Y	US 6,322,368 B1 (YOUNG et al.) 27 November 2001 (27.11.2001) especially col 3, ln 65 to col 4, ln 10; col 5, ln 33-36 ; Fig. 4a	4, 5, 28, 31, 32, 43, 47, 48
Y	US 6,623,428 B2 (MILLER et al.) 23 September 2003 (23.09.2003) especially Fig. 6b; col 7, ln 11-14	8, 9, 38-40, 44-62
Y	US 2005/0010087 A1 (BANET et al.) 13 January 2005 (13.01.2005) especially para [0003]	13
Y	US 2004/0267141 A1 (AMANO et al.) 30 December 2004 (30.12.2004) especially para [0400]	23
Y	US 6,792,304 B1 (SILBERSTEIN) 14 September 2004 (14.09.2004) especially col 1, ln 6-67; col 4, ln 36	33-37, 39, 40, 42, 43, 58-62
<input type="checkbox"/> Further documents are listed in the continuation of Box C. . <input type="checkbox"/>		
* Special categories of cited documents: "A" document defining the general state of the art which is not considered to be of particular relevance "E" earlier application or patent but published on or after the international filing date "L" document which may throw doubts on priority claim(s) or which is cited to establish the publication date of another citation or other special reason (as specified) "O" document referring to an oral disclosure, use, exhibition or other means "P" document published prior to the international filing date but later than the priority date claimed "T" later document published after the international filing date or priority date and not in conflict with the application but cited to understand the principle or theory underlying the invention "X" document of particular relevance; the claimed invention cannot be considered novel or cannot be considered to involve an inventive step when the document is taken alone "Y" document of particular relevance; the claimed invention cannot be considered to involve an inventive step when the document is combined with one or more other such documents, such combination being obvious to a person skilled in the art "&" document member of the same patent family		
Date of the actual completion of the international search 06 January 2009 (06.01.2009)		Date of mailing of the international search report 21 JAN 2009
Name and mailing address of the ISA/US Mail Stop PCT, Attn: ISA/US, Commissioner for Patents P.O. Box 1450, Alexandria, Virginia 22313-1450 Facsimile No. 571-273-3201		Authorized officer: Lee W. Young PCT Helpdesk: 571-272-4300 PCT OSP: 571-272-7774

专利名称(译)	提供分布式收集和集中处理来自观众的生理反应的系统和方法		
公开(公告)号	EP2214550A1	公开(公告)日	2010-08-11
申请号	EP2008843747	申请日	2008-10-31
[标]申请(专利权)人(译)	埃姆申塞公司		
申请(专利权)人(译)	EMSENSE CORPORATION		
当前申请(专利权)人(译)	EMSENSE CORPORATION		
[标]发明人	LEE HANS C HONG TIMMIE T MUNOZ JUAN C		
发明人	LEE, HANS, C. HONG, TIMMIE, T. MUNOZ, JUAN, C.		
IPC分类号	A61B5/00		
CPC分类号	A61B5/0205 A61B5/0484 A61B5/16 A61B5/165 A61B5/6814 G06Q30/0201 G06Q30/0204 H04H60/33 H04N7/16 H04N21/25866 H04N21/42201 H04N21/44218 H04N21/4758 A61B5/0006 A61B5/11 A61B5/6803		
代理机构(译)	贝雷斯福德KEITH DENIS LEWIS		
优先权	60/984260 2007-10-31 US 60/984268 2007-10-31 US		
外部链接	Espacenet		

摘要(译)

一种新颖的方法实现了一种新型的传感 - “人物”传感，用于通过分布式采集对媒体实例进行大规模测试，并在他/她自己的设置中集中处理来自大量观众中的每一个的生理数据。可以首先从在他/她正在观看媒体实例的地方本地配备有一个或多个生理传感器的每个观看者收集生理数据。然后，可以将这些分布位置处的观看者收集的数据全部发送到集中位置以进行处理，聚合，存储和分析。