



- (51) **International Patent Classification:**
G06Q 50/00 (2012.01) *H04B 1/40* (2006.01)
A61B 5/0402 (2006.01)
- (21) **International Application Number:**
PCT/US2011/053708
- (22) **International Filing Date:**
28 September 2011 (28.09.2011)
- (25) **Filing Language:** English
- (26) **Publication Language:** English
- (30) **Priority Data:**
13/108,738 16 May 2011 (16.05.2011) US
- (71) **Applicant (for all designated States except US):** **ALIVE-COR, INC.** [US/US]; 140 Geary Street, Suite 500, San Francisco, CA 94108 (US).
- (72) **Inventors; and**
- (75) **Inventors/Applicants (for US only):** **ALBERT, David, E.** [US/US]; 1508 Guilford Lane, Oklahoma City, OK 73120 (US). **SATCHWELL, Bruce, Richard** [AU/AU]; 24 Carrara Road, Carrara, Queensland, 4211 (AU). **BARNETT, Kim, Norman** [AU/AU]; 12 Leona Court, Mt. Tamborine, Queensland, 4272 (AU).
- (74) **Agent:** **SHOOP, Richard D.**; Shay Glenn LLP, 2755 Campus Drive, Suite 210, San Mateo, CA 94403 (US).

(81) **Designated States** (unless otherwise indicated, for every kind of national protection available): AE, AG, AL, AM, AO, AT, AU, AZ, BA, BB, BG, BH, BR, BW, BY, BZ, CA, CH, CL, CN, CO, CR, CU, CZ, DE, DK, DM, DO, DZ, EC, EE, EG, ES, FI, GB, GD, GE, GH, GM, GT, HN, HR, HU, ID, IL, IN, IS, JP, KE, KG, KM, KN, KP, KR, KZ, LA, LC, LK, LR, LS, LT, LU, LY, MA, MD, ME, MG, MK, MN, MW, MX, MY, MZ, NA, NG, NI, NO, NZ, OM, PE, PG, PH, PL, PT, QA, RO, RS, RU, RW, SC, SD, SE, SG, SK, SL, SM, ST, SV, SY, TH, TJ, TM, TN, TR, TT, TZ, UA, UG, US, UZ, VC, VN, ZA, ZM, ZW.

(84) **Designated States** (unless otherwise indicated, for every kind of regional protection available): ARIPO (BW, GH, GM, KE, LR, LS, MW, MZ, NA, RW, SD, SL, SZ, TZ, UG, ZM, ZW), Eurasian (AM, AZ, BY, KG, KZ, MD, RU, TJ, TM), European (AL, AT, BE, BG, CH, CY, CZ, DE, DK, EE, ES, FI, FR, GB, GR, HR, HU, IE, IS, IT, LT, LU, LV, MC, MK, MT, NL, NO, PL, PT, RO, RS, SE, SI, SK, SM, TR), OAPI (BF, BJ, CF, CG, CI, CM, GA, GN, GQ, GW, ML, MR, NE, SN, TD, TG).

Published:
— with international search report (Art. 21(3))

(54) **Title:** WIRELESS, ULTRASONIC PERSONAL HEALTH MONITORING SYSTEM

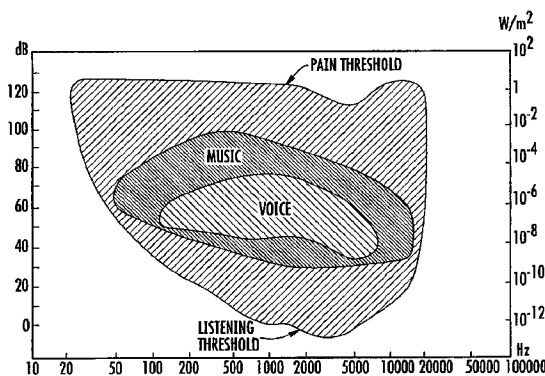


FIG. 1

(57) **Abstract:** A personal monitoring device has a sensor assembly configured to sense physiological signals upon contact with a user's skin. The sensor assembly produces electrical signals representing the sensed physiological signals. A converter assembly, integrated with, and electrically connected to the sensor assembly, converts the electrical signals generated by the sensor assembly to a frequency modulated inaudible ultrasonic sound signal. The ultrasonic signal is demodulated from an aliased signal produced by undersampling.

WO 2012/158190 A1

WIRELESS, ULTRASONIC PERSONAL HEALTH MONITORING SYSTEM

BACKGROUND

1. FIELD OF INVENTION

[0001] The presently claimed and disclosed inventive concept(s) relates generally to personal physiology monitoring devices and methods and, more particularly, but not by way of limitation, to devices, systems and software for providing ECG, heart rate and cardiac arrhythmia monitoring utilizing a computing device such as a smartphone.

2. BACKGROUND OF THE INVENTION

[0002] The prior art includes numerous systems wherein ECG data or the like is monitored and/or transmitted from a patient to a particular doctor's office or health service center. For example, U.S. Pat. No. 5,735,285 discloses use of a handheld device that converts a patient's ECG signal into a frequency modulated audio signal that may then be analyzed by audio inputting via a telephone system to a selected hand-held computer device or to a designated doctor's office. Similarly, U.S. Pat. No. 6,264,614 discloses a heart monitor, which is manipulated by the patient to sense a biological function such as a heart beat, and outputs an audible signal to a computer microphone. The computer processes the audible signal and sends resulting data signals over a network or Internet. U.S. Pat. No. 6,685,633 discloses a heart monitor that a patient can hold against his or her chest. The device outputs an audible signal responsive to the function or condition, such as the beating of the heart, to a microphone connected to a computer. Each of these audio transmissions is limited to transmission of audible sound. In other words, frequency modulated sound transmission at carrier frequencies above that heard by humans, i.e. above 17 kHz, was not contemplated.

[0003] U.S. Pat. App. Publication No.2004/0220487 discloses a system with ECG electrodes which sense ECG electrical signals which are combined and amplitude modulated. The composite signal is transmitted via wire or wirelessly to the sound port in a computing device. A digital band pass filter having a pass band from 19 kHz to 21 kHz is considered; however, there is no consideration of demodulation means at this frequency range using commercially available computing devices. Additionally, the use of sound waves to effect transmission is not contemplated.

[0004] U.S. Pat. App. Publication No. 2010/0113950 discloses an electronic device having a heart sensor including several leads for detecting a user's cardiac signals. The

leads are coupled to interior surfaces of the electronic device housing to hide the sensor from view. Using the detected signals, the electronic device can then identify or authenticate the user.

[0005] U.S. Pat. No. 6,820,057 discloses a system to acquire, record, and transmit ECG data wherein the ECG signals are encoded in a frequency modulated audio tone having a carrier tone in the audio range. However, there is no real consideration of carrier frequencies above about 3 kHz, no consideration of carrier frequencies above the audible, and no consideration of demodulation methods at higher carrier frequencies.

[0006] Limitations of the prior art utilizing transtelephonic and audible acoustic signals include a signal to noise ratio that is diminished by talking or any other noisy activity in the vicinity, thus potentially jeopardizing the integrity of the heart monitoring data signals. Additionally, the audible signals can be heard by anyone in the vicinity of the computer and heart monitor, which can be bothersome to the user as well as to others in the vicinity. Other applications fail to provide a reliable, inexpensive personal monitoring device that is readily compatible with existing computing devices such as smartphones. It would be advantageous if these issues were addressed in a personal monitoring device transmitting real time physiological data.

SUMMARY OF THE INVENTION

[0007] Embodiments of the presently claimed and disclosed invention are directed to a personal monitoring device having a sensor assembly configured to sense physiological signals upon contact with a user's skin. The sensor assembly produces electrical signals representing the sensed physiological signals. A converter assembly, including an audio transmitter, is integrated with and electrically connected to the sensor assembly. It receives the electrical signals generated by the sensor assembly and outputs these signals through the audio transmitter to a microphone in a computing device. The signals are output as an inaudible, ultrasonic, frequency modulated sound signal.

[0010] An ECG device of the presently claimed and disclosed inventive concept(s) includes an electrode assembly configured to sense heart-related signals upon contact with a user's skin, and to convert the sensed heart-related signals to ECG electrical signals. A converter assembly, integrated with, and electrically connected to the electrode assembly, is configured to receive the ECG electrical signals generated by the sensor and output ECG sound signals through an audio transmitter to a microphone in a computing device within range of the audio transmitter. The converter assembly is further configured to output the ECG signals as an ultrasonic FM sound signal.

[0011] In one embodiment, a smartphone protective case, usable as an ECG device, is provided. An electrode assembly, configured to sense heart-related signals upon contact

with a user's skin, and to convert the sensed heart-related signals to an ECG electric signal, is provided. A converter assembly, integrated with, and electrically connected to the electrode assembly, is configured to convert the electric ECG signal generated by the electrode assembly to an ultrasonic frequency modulated ECG sound signal having a carrier frequency in the range of from about 18 kHz to about 24 kHz, and further configured to output the ultrasonic frequency modulated sound signal through an audio transmitter at a signal strength capable of being received by a smartphone positioned within the smartphone protective case.

[0012] In a second embodiment, a system for generating and transferring medical data is provided. The system includes an electrode assembly configured to sense heart-related signals upon contact with a user's skin, and to convert the sensed heart-related signals to ECG electrical signals. A converter assembly, including an audio transmitter, is integrated with, and electrically connected to the electrode assembly and configured to convert the ECG electrical signals to an ultrasonic FM sound signal. The ultrasonic FM sound signal is output through the audio transmitter to a microphone in a computing device. An analog to digital converter (ADC) of the computing device is configured to sample the signal from the microphone and convert it to a digital audio signal. Demodulation software stored on a non-transitory computer readable medium and executable by the computing device causes the computing device to (1) under-sampling the digitized FM audio signal, aliasing it to a lower frequency band, and (2) demodulating the aliased digital FM audio signal at the lower frequency band to produce an ECG output.

[0013] In another embodiment, a non-transitory computer-readable storage medium is provided for storing a set of instructions capable of being executed by one or more computing devices, that when executed by the one or more computing devices causes the one or more computing devices to demodulate a digitized FM audio signal having a carrier frequency in the range of from about 18 kHz to about 24 kHz by at least (1) under-sampling the digitized FM audio signal, aliasing it to a lower frequency band, and (2) demodulating the aliased digital FM audio signal at the lower frequency band to produce an ECG output.

[0014] A method of health monitoring is provided and includes the following steps. An electrode assembly of an ECG device is placed in contact with a user's skin. The electrode assembly is configured to sense the user's heart-related signals and convert the sensed heart-related signals to ECG electrical signals. A converter assembly, including an audio transmitter, is integrated with, and electrically connected to the sensor assembly and is configured to receive the ECG electrical signals generated by the sensor and output ECG sound signals through the audio transmitter as an ultrasonic FM sound signal. The ultrasonic FM sound signal is output through the audio transmitter and is received at a

microphone in a computing device within range of the audio transmitter, demodulated, and the resulting ECG output is recorded. Optionally, the user may record spoken voice messages simultaneously with the ECG output.

[0015] Thus, utilizing (1) the technology known in the art; (2) the above-referenced general description of the presently claimed and disclosed inventive concept(s); and (3) the detailed description of the invention that follows, the advantages and novelties of the presently claimed and disclosed inventive concept(s) would be readily apparent to one of ordinary skill in the art.

BRIEF DESCRIPTION OF THE DRAWINGS

[0016] Fig. 1 is a pictorial representation of the human range and thresholds of hearing from <http://en.labs.wikimedia.org/wiki/Acoustics>.

[0017] Fig. 2 is a pictorial representation of hearing loss with age from www.neuroreille.com/promenade/english/audiometry/audiometry.htm.

[0018] Fig. 3 is an audiogram illustrating the intensity and frequency of common sounds from www.hearinglossky.org/hlasurvival1.html.

[0019] Fig. 4 is a schematic representation of an embodiment of a personal monitoring device transmitting to a computing device.

[0020] Fig. 5 is a schematic representation of another embodiment of a personal monitoring device of the present invention.

[0021] Fig. 6 is an example of graphical ECG representation.

[0022] Fig. 7A is a spectrogram of the noise in a quiet office environment.

[0023] Fig. 7B is a spectrogram of a modulated ultrasonic signal from an ECG monitoring device embodied in the present invention.

[0024] Fig. 8A is a schematic representation of an embodiment of a personal monitoring device of the present invention having a tubular shape.

[0025] Fig. 8B is a schematic representation of another embodiment of a personal monitoring device of the present invention usable as a smartphone protective case.

[0026] Fig. 8C is a schematic representation of an embodiment of a personal monitoring device of the present invention usable as a pad.

[0027] Fig. 9 is a schematic representation of an embodiment of an ECG device of the present invention included positioned within a chest strap.

[0028] Fig. 10 is a schematic representation of a computer-readable storage medium embodiment of the present invention.

[0029] Fig. 11 is a schematic representation of an embodiment of the present invention.

[0030] Fig. 12 is an example representation of a frequency spectrum after bandpass filtering.

[0031] Fig. 13 is an example representation of a frequency spectrum after under-sampling at half the original sampling rate.

[0032] Fig. 14 illustrates a working example of a system for receiving and demodulating an ultrasonic FM ECG sound signal.

DETAILED DESCRIPTION OF THE INVENTION

[0033] Before explaining at least one embodiment of the invention in detail, it is to be understood that the invention is not limited in its application to the details of construction, experiments, exemplary data, and/or the arrangement of the components set forth in the following description. The invention is capable of other embodiments or of being practiced or carried out in various ways. Also, it is to be understood that the terminology employed herein is for purpose of description and should not be regarded as limiting.

[0034] In the following detailed description of embodiments of the disclosure, numerous specific details are set forth in order to provide a more thorough understanding of the disclosure. However, it will be apparent to one of ordinary skill in the art that the concepts within the disclosure can be practiced without these specific details. In other instances, well-known features have not been described in detail to avoid unnecessarily complicating the description.

[0035] The human hearing range is often referred to as 20 Hz to 20 kHz. A maximum aural range in children, under ideal laboratory conditions, is actually as low as 12 Hz and as high as 20 kHz. However, as shown in FIG. 1, the threshold frequency, i.e. the minimum intensity detectable, rises rapidly to the pain threshold between 10 kHz to 20 kHz. Thus, sounds above about 16 kHz must be fairly intense to be heard. Almost immediately from birth, the threshold sound level for these higher frequencies increases. As shown in FIG. 2, an average 20 year old has lost about 10 dB in the 8 kHz range, while at age 90, the average person has lost over 100 dB at this frequency.

[0036] An example product using very high frequency sound is the Mosquito alarm, a controversial device emitting an intentionally annoying 17.4 kHz alarm and used to discourage younger people from loitering. Due to adult hearing loss at this frequency, it is typically heard only by people less than 25 years of age. Similarly, students make use of the adult hearing loss by using "mosquito" ringtones in the 15-17 kHz on their cell phones during school. The students can hear the "mosquito" ringtones while their adult teachers cannot. The term "ultrasonic" typically means above the range perceived by humans. However, as demonstrated, the upper limit of hearing frequency varies with individuals and with age

generally. Because of the differences in this upper limit, the term “ultrasonic” is defined herein and in the appending claims to refer to “sound frequencies of 17 kHz or greater.”

[0037] Interestingly, however, there is very little ambient sound or noise above about 10 kHz. Referring to FIG. 3, most everyday sounds occur at frequencies below about 4 kHz. Thus, use of signals in the ultrasonic range is not only silent to those around, but also provides a very desirable signal to noise ratio (SNR).

[0038] Acoustic engineers safely assume that any frequency above about 20 kHz will have no effect on the perceived sound and they filter everything above this range. Sounds below 20 kHz but still in the ultrasonic range are of little concern, and standard sampling procedures have been established accordingly. It is generally understood that sampling an analog signal, whether a radio signal or audible sound signal, requires a sampling frequency f_s such that $f_s/2 > f$, wherein f is the sinusoid frequency. For this reason, sound systems are designed to sample the sound at the now standard sample rate of 44.1 kHz, set somewhat higher than the calculated Nyquist-Shannon sampling rate of 40 kHz for a 20 kHz sound upper limit. Actual demodulation of an FM narrow band signal in the ultrasonic range, using existing demodulation procedures, computers, telephones, cell phones, stereo sound systems, etc., would result in very poor reproduction of the original signal. This is unfortunate because, as discussed above, a carrier signal in the ultrasonic range would also have a very low signal to noise ratio due to the fact that there is very little natural “noise” at these higher frequencies.

[0039] The inventive concept(s) disclosed herein is directed to a personal monitoring device, methods and systems for measuring physiological signals and transmitting those measurements wirelessly and soundlessly using frequency modulated ultrasonic signals having a much improved signal to noise ratio compared to traditional transtelephonic methods. Also provided are methods and algorithms to receive and demodulate the ultrasonic signals with excellent accuracy using existing computer and smart phone technology.

[0040] The presently claimed and disclosed inventive concepts provide a personal monitoring device 10, embodiments of which are shown schematically in FIG. 4 and FIG. 5. The acquisition electronics 11 of the monitoring device 10 includes a sensor assembly 12 configured to sense physiological signals upon contact with a user’s skin. The sensor assembly 12 produces electrical signals representing the sensed physiological signals, which input to a converter assembly 14, integrated with the sensor assembly 12. Converter assembly 14 converts the electrical signals generated by the sensor assembly 12 to a frequency modulated ultrasonic signal which is output by ultrasonic transmitter 24. In one embodiment, the frequency modulated ultrasonic signal has a carrier frequency in the range

of from about 18 kHz to about 24 kHz. In another embodiment, the frequency modulated ultrasonic signal has a carrier frequency in the range of from about 20 kHz to about 24 kHz.

[0041] The sensor assembly 12 can include any suitable sensor operative to detect a physiological signal that a user desires to monitor. Nonlimiting examples of such physiological signals include, but are not limited to, respiration, heart beat, heart rate, electrocardiogram (ECG), electromyogram (EMG), electrooculogram (EOG), pulse oximetry, photoplethysmogram (PPG) and electroencephalogram (EEG).

[0042] A respiration detector can be a conventional microphone assisted stethoscope 12'. Heart beat and heart rate can be detected as well using a conventional microphone assisted stethoscope 12', or by using an electrode assembly 18 to sense electrical signals generated by the heart over time. Such electrodes 18 can also be used to detect the electrical activity of the heart over time for electrocardiography (ECG). An ECG is a measurement of the small electrical changes on the skin generated when the heart muscle depolarizes during each heart beat. The output from a pair of electrodes 18 is known as a lead 20. Small rises and falls in the voltage between two electrodes placed on either side of the heart can be processed to produce a graphical ECG representation 22 such as the example ECG shown in FIG. 6.

[0043] Electromyography (EMG) detects the electrical potential generated by muscle cells when the cells are electrically or neurologically activated. The signals can be analyzed to detect medical abnormalities. Electrooculography (EOG) is a technique for measuring the resting potential of the retina. Usually, pairs of electrodes 18 are placed either above and below the eye, or to the left and right of the eye, and a potential difference measurement is a measure for the eye position.

[0044] The oxygenation of a person's hemoglobin can be monitored indirectly in a noninvasive manner using a pulse oximetry sensor, rather than measuring directly from a blood sample. The sensor is placed on a thin part of the person's body, such as a fingertip or earlobe, and a light containing both red and infrared wavelengths is passed from one side to the other. The change in absorbance of each of the two wavelengths is measured and the difference used to estimate oxygen saturation of a person's blood and changes in blood volume in the skin. A photoplethysmogram (PPG) can then be obtained using the pulse oximeter sensor or with an optical sensor using a single light source. The PPG can be used to measure blood flow and heart rate. An electroencephalogram (EEG) can be monitored using electrodes attached to the scalp and measures voltages generated by brain activity.

[0045] The converter assembly 14 converts the electrical signals generated by the sensor assembly 12 to a frequency modulated ultrasonic signal that can be received by a computing device 16. In the embodiment shown in FIG. 5, the converter assembly 14

includes a converter 23 and an ultrasonic transmitter 24 for outputting frequency modulated ultrasonic signals having a carrier frequency in a range of from, for example, about 18 kHz to about 24 kHz. Nonlimiting examples of suitable ultrasonic transmitters 24 include, but are not limited to, miniature speakers, piezoelectric buzzers, and the like. The ultrasonic signals can be received by, for example, a microphone 25 in a computing device 16 such as a smartphone 30, personal digital assistant (PDA), tablet personal computer, pocket personal computer, notebook computer, desktop computer, server computer, and the like.

[0046] Prior art devices have used frequency modulated physiological signals to communicate between acquisition hardware and a computing device. The signals have a carrier frequency within the audible range such as the traditional 1.9 kHz FM frequency used to transmit ECG signals. However, it has been discovered that by using ultrasonic frequencies as the carrier, such as frequencies in the range of from about 18 kHz to about 24 kHz, and even 20 kHz to 24 kHz, the acoustic communication between the acquisition electronics 11 of the personal monitoring device 10, and a computing device 16 such as a smartphone, is virtually silent and far more noise-immune than the traditional 1.9 kHz FM ECG frequency. In fact, measurements of the audio signal power in the ultrasonic range determined that carrier frequencies of 17 kHz and higher provide communication that is immune to ambient and voice "noise" contamination. By using an ultrasonic carrier frequency, in even the "noisiest" environment, we create both a noise-free and a silent communication between the acquisition electronics 11 and the computing device 16 such as a smartphone 30, notebook computer, or the like.

[0047] For example, Fig. 7A shows a spectrogram of the sound in a quiet office environment. As can be seen, the ambient noise is about 35 db at 2 kHz. Fig. 7B shows a spectrogram of the ultrasonic modulated ECG signal in the same quiet office environment. It should be noted that the ambient noise at 19 kHz is only 20 db (the slight upturn is artifact) giving at least a 15 db advantage for a 19 kHz ultrasonic signal compared to a standard 2 kHz signal. This is a significant improvement on the signal to noise ratio (SNR) which improves even more in noisy environments such as the street, shopping mall or a noisy home. Synergistically, the volume of the signal can be further increased at the ultrasonic frequencies, without concern for "listeners" present, because they cannot hear it.

[0048] In one embodiment, the personal monitoring device 10 is an ECG device 10' and includes an electrode assembly 18 configured to sense heart-related signals upon contact with a user's skin, and to convert the sensed heart-related signals to an ECG electric signal. As discussed in detail hereinafter, the ECG device 10' transmits an ultrasonic frequency modulated ECG signal to a computing device 16 such as, for example, a smartphone 30. Software running on the computer 16 or smartphone 30 digitizes and processes the audio in

real-time, where the frequency modulated ECG signal is demodulated. The ECG can be further processed using algorithms to calculate heart rate and identify arrhythmias. The ECG, heart rate, and rhythm information can be displayed on the computer 16 or smartphone 30, stored locally for later retrieval, and/or transmitted in real-time to a web server 52 via a 2G/3G/4G, WiFi or other Internet connection. In addition to the display and local processing of the ECG data, the computer 16 or smartphone 30 can transmit, in real-time, the ECG, heart rate and rhythm data via a secure web connection for viewing, storage and further analysis via a web browser interface (using the 2G/3G/4G or WiFi connectivity of, for example, the smartphone 30). Server software provides for storage, further processing, real-time or retrospective display and formulation of a PDF ECG rhythm strip document and/or other reports and formats for printing remotely or locally.

[0049] In another embodiment, the converter assembly 14 of ECG device 10' is integrated with, and electrically connected to the electrode assembly 18 and is configured to convert the electric ECG signal generated by electrode assembly 18 to a frequency modulated ECG ultrasonic signal having a carrier frequency in the range of from about 18 kHz to about 24 kHz. It is sometimes desirable to utilize a carrier frequency in the 20 kHz to 24 kHz range. The ultrasonic range creates both a lower noise and a silent communication between the acquisition electronics 11 and the computing device 16 such as the smartphone 30, notebook, and the like.

[0050] The ECG device 10' can be configured in any way consistent with its function, i.e., it should include electrodes available to make contact with a user's skin on the hands, chest or other parts of the body, for obtaining the user's ECG, and means for transmitting the ECG using ultrasound to a receiving device. For example, a hand held ECG device 10' can be shaped like a credit card as in Fig. 5 with two electrodes on the bottom surface, or the ECG device 10' can be shaped like a flash light or pen as in Fig. 8A having one electrode 18 on the cylindrical surface 57 touching a holder's hand, and the other electrode 18' is on an end 59 contacting the chest, hand or other body part when in use.

[0051] In another configuration, the ECG device 10' is usable as a smartphone protective case 60 as shown in FIG. 8B. One example configuration utilizes a "slip-on" protective case 60 for an iPhone® or other smartphone 30, the protective case 60 including an integrated ECG electrode assembly 18 and acquisition electronics 11 (2, 3 or 4 electrodes for generating a single lead of ECG data). The ECG electrodes are located on the side 62 of the case 60 opposite of the display screen 58. The smartphone 30, in its ECG-adapted protective case 60, can be held in both hands (generating a lead one, Left Arm minus Right Arm) or can be placed on a person's chest to generate a modified chest lead. The ECG is measured by the acquisition electronics 11 and converted into a frequency

modulated ultrasonic signal. Nonlimiting example of suitable carrier or center frequencies include from about 18 kHz to about 24 kHz, or in some embodiments from about 20 kHz to 24 kHz. The frequency modulated ultrasonic signal is output by a miniature speaker 64 or a piezoelectric buzzer 66.

[0052] In another configuration, the ECG device 10', as shown schematically in FIG. 8C, is usable as a pad. To use a pad 10', a user places a hand on each of two electrodes 18. The pad 10' ECG device is identical to the "case" electronics, but is present in its own housing 67 rather than being integrated into a protective case 60 for a smartphone 30. In one working example, the pad 10' is approximately A4 page size with two separate areas of conductive material acting as electrodes on which the hands are placed. The conductive fabric can have conductive tails crimped to snap fasteners 61 to attach or clip to an acquisition electronics 11 "pod" to transmit the ECG to a receiving device using ultrasound. This embodiment allows for use of the device to acquire ECG data and have it communicated acoustically to a PC or other computing device for demodulation, processing, storage and display via a web application and connection. Placement of the pod to one side allows the pad to lay flat during use and fold shut for storage

[0053] Most computing devices, and all smartphones, include a memory 56, a display screen 58, and a transceiver for transmitting/receiving information signals to/from a base station or web server 52 via a cellular antenna 54. Thus, the computing device electronics can be used to store information from the personal monitoring device 10 in memory 56, and/or transmit the information to the base station 52 or a specific communication address via wireless communication technology well understood by those skilled in the art.

[0054] In yet another embodiment, shown schematically in FIG. 9, the ECG device 10' is usable as a chest strap device 68 like a fitness heart rate monitor. The chest strap 69 with integrated ECG electrode assembly 18 and acquisition electronics 11 "pod" generate the frequency modulated ultrasonic ECG signal and send it to a computing device 16 such as the smartphone 30.

[0055] In any of the configurations, the computing device 16, such as smartphone 30, utilizes its built-in microphone 25 and CPU to acquire, digitize, demodulate, process and then display the ECG data in real-time. Also, the computing device 16 or smartphone 30 can calculate a real-time heart rate measurement and determine a cardiac rhythm diagnosis like atrial fibrillation. The computing device 16 or smartphone 30 can utilize its 2G, 3G, 4G, Bluetooth® and WiFi connectivity to transmit the ECG and other data to a secure web server 52 for real-time distant display, storage and analysis. Also, the ECG data can be stored locally on the smartphone 30 for later review or transmission.

[0056] Software on the smartphone 30 can also combine data and signals from other sensors built into the smartphone 30 such as a GPS and accelerometer. Further processing of this data provides additional information related to the user, such as speed, location, distance, steps, cadence, body position, fall detection and energy expenditure. The raw signals from the sensors and derived information can be displayed and stored locally on the smartphone 30, as well as being transmitted to the web server 52 over an internet connection. Software on the web server 52 provides a web browser interface for real-time or retrospective display of the signals and information received from the smartphone 30, and also includes further analysis and reporting.

[0057] Referring now to FIG. 10, a computer-readable storage medium 56 stores a set of instructions 72, wherein the instructions 72 are capable of being executed by one or more computing devices 16. Nonlimiting examples of suitable computing devices 16 include smartphones 30, personal digital assistants (PDAs), tablet personal computers, pocket personal computers, notebook computers, desktop computers, and server computers. When the instructions 72 are executed, the one or more computing devices 16 is caused to digitize and demodulate a sensor input 74 such as an ultrasonic frequency modulated ECG signal to produce real-time demodulated digital ECG data. The instructions 72 can also cause the real-time demodulated digital ECG data to display on a display screen 58 of the computing device 16.

[0058] A common technique used for FM demodulation is based on zero crossing detection where the time interval between zero crossings is used to calculate the frequency and reconstruct the demodulated signal. In some applications simply counting the number of audio samples between zero crossings may provide sufficient accuracy for frequency estimation. Accuracy can be improved by interpolating between samples which provides a better estimate of the zero crossing point and subsequent frequency estimation. FM demodulation based on zero crossing detection is simple to implement and requires little computation compared with other techniques such as those using FFT's (fast Fourier transforms), making it particularly suitable for use in real-time applications on low power portable computing devices.

[0059] However, if the FM narrow band signal is close to the Nyquist frequency of the digitally sampled audio, the error in the zero crossing estimates become large, as there are very few samples per cycle. This severely limits the use of typical zero crossing demodulation techniques for ultrasonic carrier frequencies. An embodiment of the present disclosure provides a method to demodulate FM narrow band signals close to the Nyquist frequency, while maintaining the simplicity and efficiency of the zero crossing technique, with accurate frequency estimation.

[0060] Referring now to Fig. 11, an ultrasonic FM signal representing ECG signals is picked up by a microphone 25 in, for example, a mobile phone 30 or other computing device 16, and converted to an analog signal. The analog signal is continuous in time and is converted to a flow of digital values in an analog-to-digital converter 80, demodulated in FM demodulator 82 and shown on a display 58 of the smart phone 30 or other computing device 16, or retained in storage memory 56. Since a practical analog-to-digital converter 80, commonly referred to as an ADC, cannot make an instantaneous conversion, the input value must necessarily be held constant during the time that the converter performs a conversion. The rate at which the new digital values are sampled from the analog signal is called the sampling rate or sampling frequency of the ADC. Mobile phones and other personal computing devices are typically limited to recording audio at 44 kHz. Some smart phones such as ANDROID® and IPHONE® can sample at 48 kHz.

[0061] The digitized ultrasonic signal can then be bandpass filtered around the ultrasonic carrier frequency of the FM signal to improve signal-to-noise and reduce unwanted audio outside the passband. The filtered FM signal, as depicted in Fig. 12, is then “under-sampled” at half the sampling rate of the original audio. This results in aliasing of the FM signal that shifts and inverts the frequency spectrum to a lower frequency band. The result of the frequency spectrum being inverted by the under-sampling operation, results in the demodulated output being inverted as depicted in Fig. 13. The inversion is corrected by simply converting the final demodulated output.

[0062] With the FM signal at a lower frequency there are more audio samples per cycle and demodulation processes, such as zero crossing estimates, are significantly more accurate. For example, the zero crossing detector identifies the zero crossings where the audio signal changes sign. The accuracy of the zero crossing point is further improved by linearly interpolating between samples either side of the zero crossing. Finally, the period between zero crossings is used to calculate an estimate of the frequency and reconstruct the demodulated signal. While the above-described demodulation procedure utilizes a zero crossing estimate, it is understood that other demodulation procedures can be utilized and that the accuracy of other demodulation procedures will also benefit from the under-sampling operation.

[0063] EXAMPLE

[0064] In one working example, illustrated in FIG. 14, a system used an ultrasonic FM ECG signal transmitted from a portable ECG monitor to a microphone 25 in a mobile phone 30 as well as a personal computer 16. This provided a low-cost wireless transmission solution that is compatible with most mobile phones and computers that have a microphone, without requiring any additional hardware to receive the signal.

[0065] It is desirable that the FM signal is above 18 kHz, so that it is inaudible to most people, does not interfere with music or speech, and is also less prone to audio interference. It is also desirable for the FM signal to have a narrow bandwidth to further reduce its susceptibility to audio interference. In this case the ECG monitor used an ultrasonic FM carrier of 19 kHz, modulated with an ECG at 200 Hz/mV and having a range of ± 5 mV. This resulted in an ultrasonic FM signal between 18 kHz and 20 kHz.

[0066] First, the audio FM signal was picked up by a microphone 25 and digitized by the ADC 80 in the mobile phone 30 at 44 kHz. The audio was then bandpass filtered in filter 82 between 18 kHz and 20 kHz to remove audio noise outside the pass band. In the next stage 84 the audio was under-sampled at 22 kHz, where only every second audio sample is used. The digital signal produced after such under-sampling results in aliasing that shifts and inverts the frequency spectrum so that it appears in the 2 kHz to 4 kHz range. A zero crossings detector 86 then identifies where the audio signal changes sign. The zero crossing point is then more accurately calculated in the frequency estimation step 88 by linearly interpolating between samples either side of the zero crossing. In this example, a frequency estimate is only required every 3.33 ms, for it demodulated output signal at 300 Hz. This is achieved by counting the number of zero crossings and measuring the period over the nearest fixed number of cycles during this period, providing a fixed 300 Hz output. The demodulated output is then inverted to correct for the frequency spectrum being inverted by the under-sampling operation. Finally the 300 Hz demodulated ECG data is passed through a 40 Hz low pass filter since the ECG bandwidth of interest is below 40 Hz. This further reduces any noise from the frequency estimates and demodulated output. The FM demodulator outputs 16 bit, 300 Hz ECG.

[0067] Sensor input 74 can also include real-time information from additional sensors as well as user input 74'. For example, in embodiments wherein the computing device 16 is a smartphone 30, the input 74 can include real-time information from a GPS and/or accelerometer in the smartphone 30 in addition to the demodulated digital ECG data. User input 74' can also include spoken voice messages entered through a microphone of the computing device 16. Instructions 72 can cause the sensor and/or user input 74 and 74' to be recorded and maintained in a storage memory 56 of the computing device 16.

[0068] In one embodiment, the set of instructions 72, when executed by the one or more computing devices 16, can further cause the one or more computing devices 16 to calculate and display in real-time, a heart rate represented by the frequency modulated ECG ultrasonic signal. In addition, demodulated digital ECG data can be processed to identify the occurrence of an arrhythmia. In such designs, the storage medium 70 can include

instructions 72 to cause the computing device 16 to display a warning on a display screen 58 or emit an audible alert through the speaker 76 at the occurrence of an arrhythmia.

[0069] Instructions 72 can cause the computing device 16 to store the demodulated digital ECG data in a memory 56 of the one or more computing devices 16 for later retrieval. The set of instructions 72 can further cause the one or more computing devices 16 to retrieve and transmit, upon demand, the stored demodulated digital ECG data to a web server 52 via an internet connection on the computing device 16. Recorded spoken voice messages can be stored and transmitted to the web server 52, simultaneously with the demodulated digital ECG data.

[0070] In other embodiments, the instructions 72 can cause the one or more computing devices 16 to transmit the demodulated digital ECG data, and/or voice messages, to the web server 52 in real-time.

[0071] A version of the smartphone software is packaged as a software library that can be integrated with other third party software applications. This provides a simplified and standard method for third party applications to use the ECG device 10' to obtain heart rate and other derived information without having to develop their own data acquisition, demodulation, and signal processing algorithms.

[0072] A version of the software also runs on a PC and includes demodulation, processing, storage and transmission to the web server 52. The software includes the audio acquisition, demodulation, ECG analysis, and acceleration analysis modules.

[0073] Audio samples from the ADC are optionally passed through a digital band-pass filter to remove unwanted frequencies outside the modulation range. The demodulation module demodulates the frequency modulated ECG ultrasonic signal using undersampling at about one-half the frequency of the audio sample to shift the spectrum to a lower frequency range, followed by a linear approximation and zero crossings algorithm. The demodulator allows selection of different modulation parameters to match the particular ECG device. While demodulation using zero crossings and linear approximation alone works well for carrier frequencies 6 kHz and lower, above 10 kHz with 44 kHz sampling, the errors from linear approximation become large unless undersampling is used to shift the spectrum.

[0074] The algorithm then looks at the sign of incoming data. When the sign changes it draws a straight line between the two points and interpolates the zero value. It uses this to determine the average frequency over a 3.333 ms interval, which provides ECG data at the output sampling rate of 300 Hz.

[0075] The ECG analysis module includes algorithms that process the ECG to detect and classify beats, and provides a heart rate estimate. Beat-to-beat heart rate is calculated

from the interval between beats and a more robust measurement of heart rate is calculated using median filtering of the RR intervals.

[0076] The acceleration analysis module includes algorithms that process signals from the built-in 3 axis accelerometer sensor in the smartphone 30, to derive an estimate of a person's energy expenditure, steps, cadence, and body position and to detect falls.

[0077] From the above descriptions, it is clear that the presently disclosed and claimed inventive concept(s) are well-adapted to carry out the objects and to attain the advantages mentioned herein, as well as those inherent in the presently disclosed and claimed inventive concept(s). While the presented embodiments have been described for purposes of this disclosure, it will be understood that numerous changes may be made which will readily suggest themselves to those skilled in the art and which are accomplished within the spirit of the presently disclosed and claimed inventive concept(s).

What is claimed is:

1. A personal monitoring device comprising:
 - a sensor assembly configured to sense physiological signals upon contact with a user's skin and to produce electrical signals representing the sensed physiological signals;
 - a converter assembly including an audio transmitter, the converter assembly integrated with, and electrically connected to the sensor assembly and configured to receive the electrical signals generated by the sensor and output those signals through the audio transmitter to a microphone in a computing device within range of the audio transmitter, wherein the converter assembly is further configured to output the signals as an inaudible, ultrasonic, frequency modulated (FM) sound signal.
2. The personal monitoring device of claim 1, wherein the inaudible, ultrasonic, FM sound signal has a carrier frequency in the range of from about 18 kHz to about 24 kHz.
3. The personal monitoring device of claim 1, wherein the inaudible, ultrasonic, FM sound signal has a carrier frequency in the range of from about 20 kHz to about 24 kHz.
4. The personal monitoring device of claim 1, wherein the physiological signals sensed are selected from the group consisting of electrocardiogram (ECG), electromyogram (EMG), electrooculogram (EOG), photoplethysmogram (PPG), respiration, heart rate, pulse oximetry, electroencephalogram (EEG) and a combination thereof.
5. An ECG device comprising:
 - an electrode assembly configured to sense heart-related signals upon contact with a user's skin, and to convert the sensed heart-related signals to ECG electrical signals; and
 - a converter assembly including an audio transmitter, the converter assembly integrated with, and electrically connected to the sensor assembly and configured to receive the ECG electrical signals generated by the sensor and output ECG sound signals through the audio transmitter to a microphone in a computing device within range of the audio transmitter, wherein the converter assembly is further configured to output the ECG signals as an ultrasonic FM sound signal.
6. The ECG device of claim 5, wherein the ultrasonic FM sound signal has a carrier frequency in the range of from about 18 kHz to about 24 kHz.

7. The ECG device of claim 5, wherein the ultrasonic FM sound signal has a carrier frequency in the range of from about 20 kHz to about 24 kHz.

8. The ECG device of claim 5, wherein the converter assembly comprises an audio transmitter for outputting the frequency modulated ultrasonic signal, wherein the audio transmitter is configured to output the ultrasonic FM sound signal to a microphone in a computing device within range of the audio transmitter.

9. The ECG device of claim 8, wherein the computing device is selected from the group consisting of smartphones, personal digital assistants (PDAs), tablet personal computers, pocket personal computers, notebook computers, desktop computers, and server computers.

10. The ECG device of claim 8, wherein the electrode assembly is positioned on an outer surface of a smartphone protective case, and wherein the ultrasonic FM sound signal output from the audio transmitter is detectable by a microphone in a smartphone when the smartphone is positioned within the smartphone protective case.

11. The ECG device of claim 8, wherein the ECG device is a hand-held device having the electrode assembly comprising two electrodes positioned on one of a) an outer surface of a pad configured to receive a user's hands, one on each electrode, b) a single side of a card or c) a cylindrical device having one electrode on the outer cylindrical surface and one electrode on either end.

12. The ECG device of claim 8, wherein the electrode assembly is positioned within a chest strap.

13. A smartphone protective case, usable as an ECG device, comprising:
an electrode assembly configured to sense heart-related signals upon contact with a user's skin, and to convert the sensed heart-related signals to an ECG electric signal; and
a converter assembly integrated with, and electrically connected to the electrode assembly, the converter assembly configured to convert the electric ECG signal generated by the electrode assembly to an ultrasonic FM sound signal having a carrier frequency in the range of from about 18 kHz to about 24 kHz, and further configured to output the ultrasonic FM sound signal through an audio transmitter at a signal strength capable of being received by a smartphone positioned within the smartphone protective case.

14. A system for generating and transferring medical data, the system comprising:

an electrode assembly configured to sense heart-related signals upon contact with a user's skin, and to convert the sensed heart-related signals to ECG electrical signals;

a converter assembly including an audio transmitter, the converter assembly integrated with, and electrically connected to the electrode assembly and configured to convert the ECG electrical signals to an ultrasonic FM sound signal and output the ultrasonic FM sound signal through the audio transmitter to a microphone in a computing device, wherein an analog to digital converter (ADC) of the computing device is configured to sample the signal from the microphone and convert it to a digital audio signal; and

demodulation software stored on a non-transitory computer readable medium and executable by the computing device to cause the computing device to (1) under-sample the digital audio signal, aliasing it to a lower frequency band, and (2) demodulate the aliased digital audio signal at the lower frequency band to produce an ECG output.

15. The system of claim 14, wherein the demodulation software is executable by the computing device to cause the computing device to perform a zero crossings analysis of the aliased digital audio signal at the lower frequency band to produce the ECG output.

16. The system of claim 14 wherein the demodulation software includes instructions for causing the computing device to bandpass filter the digital audio signal around the carrier frequency to improve the signal to noise ratio.

17. The system of claim 14 wherein the demodulation software causes the computer to under-sample at one-half the ADC sampling rate.

18. The system of claim 17 wherein the demodulation software includes instructions for causing the computing device to invert the demodulated output to correct for the frequency spectrum being inverted by under-sampling.

19. The system of claim 14 wherein the demodulation software includes instructions for causing the computing device to display the ECG output on a display screen of the computing device.

20. A non-transitory computer-readable storage medium storing a set of instructions capable of being executed by one or more computing devices, that when executed by the one or more computing devices causes the one or more computing devices to demodulate a digitized FM audio signal having a carrier frequency in the range of from about 18 kHz to about 24 kHz by at least (1) under-sampling the digitized FM audio signal, thereby aliasing it to a lower frequency band, and (2) demodulating the aliased digital FM audio signal at the lower frequency band to produce an ECG output.

21. The system of claim 20, wherein the demodulation software is executable by the computing device to cause the computing device to perform a zero crossings analysis of the aliased digital audio signal at the lower frequency band to produce the ECG output.

22. The non-transitory computer-readable storage medium of claim 22, wherein the set of instructions, when executed by the one or more computing devices, further causes the one or more computing devices to display on a display screen of the computing device, the ECG output representing the real-time ECG signal.

23. The non-transitory computer-readable storage medium of claim 22, wherein the computing device is a smartphone.

24. The non-transitory computer-readable storage medium of claim 23, wherein the set of instructions, when executed by the one or more smartphones, further causes the smartphone to record real-time information from a GPS and/or accelerometer in the smartphone.

25. The non-transitory computer-readable storage medium of claim 22, wherein the set of instructions, when executed by the one or more computing devices, further causes the one or more computing devices to record spoken voice messages simultaneously with the demodulated ECG output.

26. The non-transitory computer-readable storage medium of claim 22, wherein the set of instructions, when executed by the one or more computing devices, further causes the one or more computing devices to calculate and display in real-time, a heart rate determined from the demodulated output representing the real-time ECG signal.

27. The non-transitory computer-readable storage medium of claim 22, wherein the set of instructions, when executed by the one or more computing devices, further causes the one or more computing devices to process the demodulated output representing the real-time ECG signal to identify the occurrence of an arrhythmia.

28. The non-transitory computer-readable storage medium of claim 22, wherein the set of instructions, when executed by the one or more computing devices, further causes the one or more computing devices to store the demodulated output representing the real-time ECG signal in a memory of the one or more computing devices for later retrieval.

29. The non-transitory computer-readable storage medium of claim 28, wherein the set of instructions, when executed by the one or more computing devices, further causes the one or more computing devices to retrieve and transmit, upon demand, the stored demodulated output representing the real-time ECG signal to a web server via an internet connection on the computing device.

30. The non-transitory computer-readable storage medium of claim 20, wherein the set of instructions, when executed by the one or more computing devices, further causes the one or more computing devices to record spoken voice messages simultaneously with the demodulated digital ECG data, and to transmit the spoken voice messages with the demodulated output representing the real-time ECG signal to the web server.

31. The non-transitory computer-readable storage medium of claim 22, wherein the set of instructions, when executed by the one or more computing devices, further causes the one or more computing devices to transmit the demodulated output representing the real-time ECG signal to a web server in real-time.

32. The non-transitory computer-readable storage medium of claim 31, wherein the set of instructions, when executed by the one or more computing devices, further causes the one or more computing devices to record spoken voice messages simultaneously with the demodulated output representing the real-time ECG signal, and to transmit the spoken voice messages with the demodulated output representing the real-time ECG signal to the web server.

33. The non-transitory computer-readable storage medium of claim 20, wherein the set of instructions, when executed by the one or more computing devices, further causes the one or more computing devices to record spoken voice messages simultaneously with the ECG output.

34. A method of health monitoring, comprising the steps of:
placing an electrode assembly of an ECG device in contact with a user's skin,
wherein the electrode assembly is configured to sense heart-related signals
and convert the sensed heart-related signals to ECG electrical signals;

utilizing a converter assembly of the ECG device to transmit the ECG signals as an ultrasonic FM sound signal, wherein the converter assembly includes an audio transmitter, the converter assembly integrated with, and electrically connected to the sensor assembly and configured to receive the ECG electrical signals generated by the sensor and output ECG sound signals through the audio transmitter as an ultrasonic FM sound signal;

receiving the ultrasonic FM sound signal at a microphone in a computing device within range of the audio transmitter, demodulating the ultrasonic FM signal and recording the resulting ECG output; and

optionally recording spoken voice messages simultaneously with the ECG output.

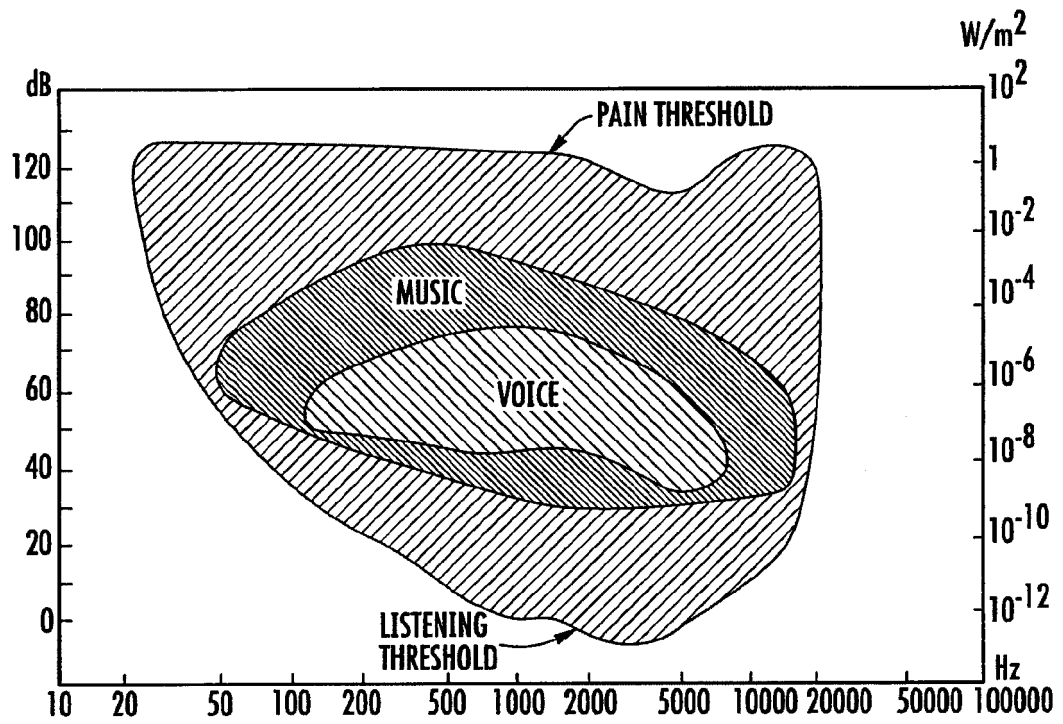


FIG. 1
(PRIOR ART)

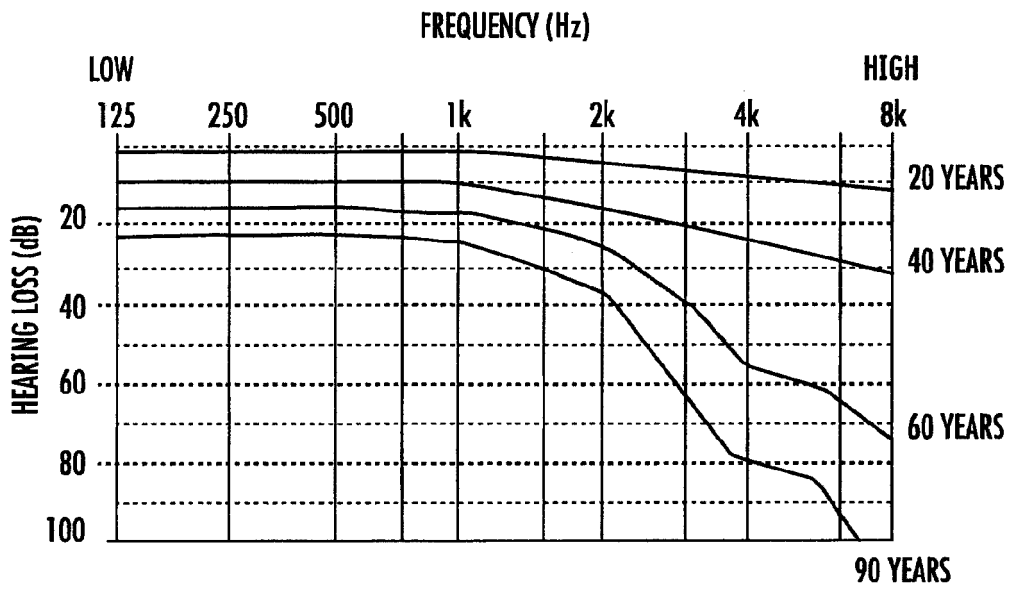


FIG. 2
(PRIOR ART)

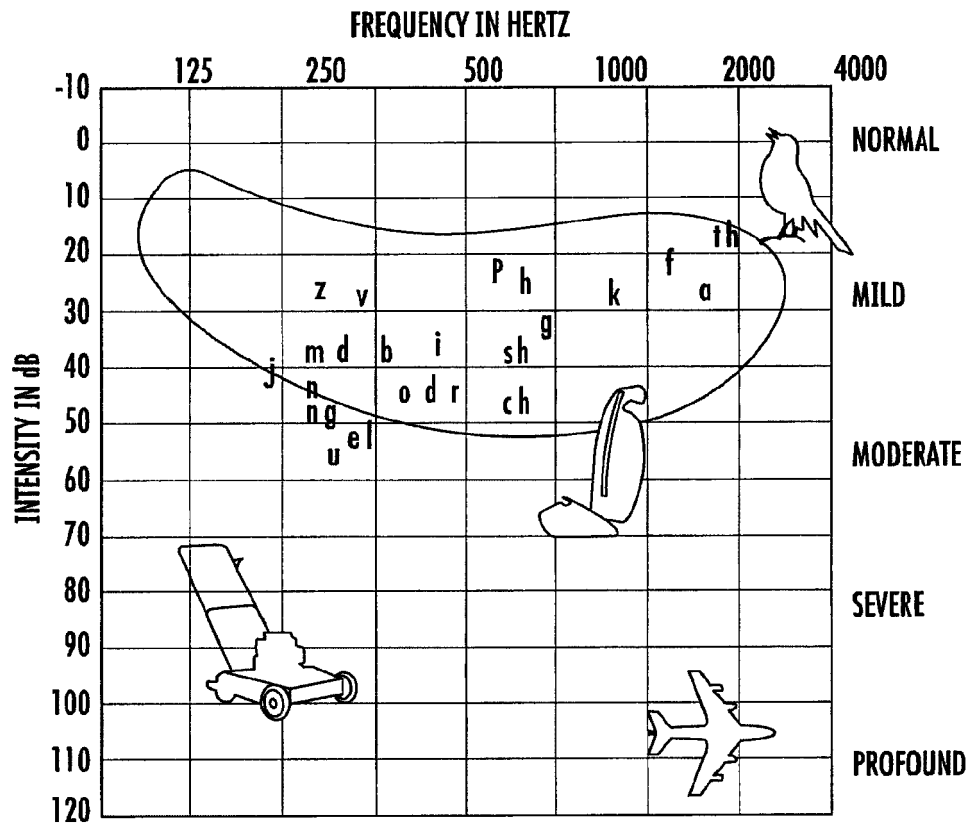


FIG. 3
(PRIOR ART)

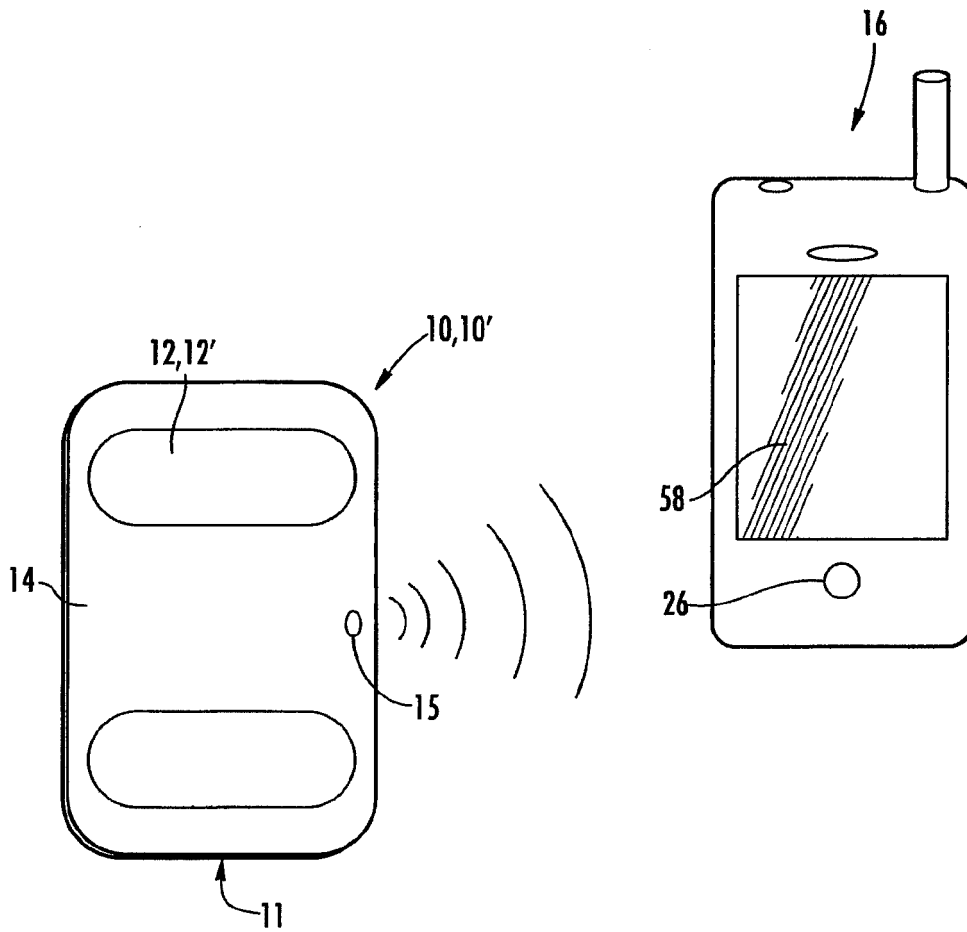


FIG. 4

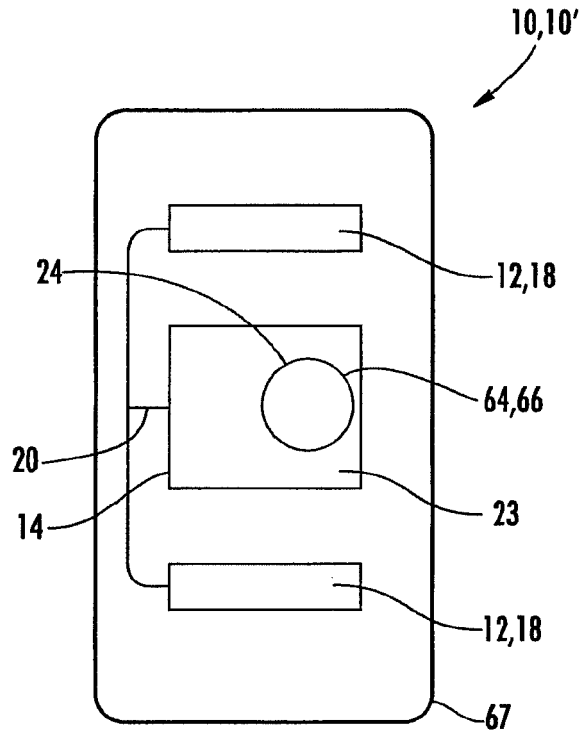


FIG. 5

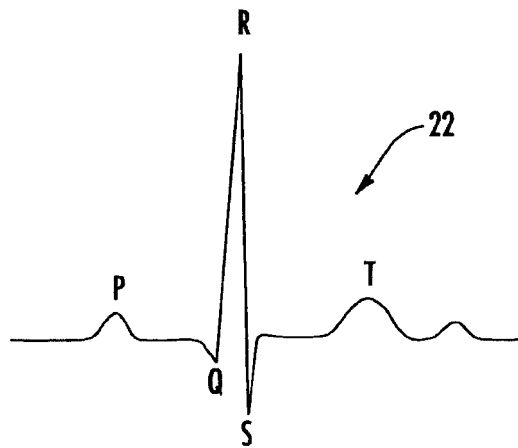


FIG. 6

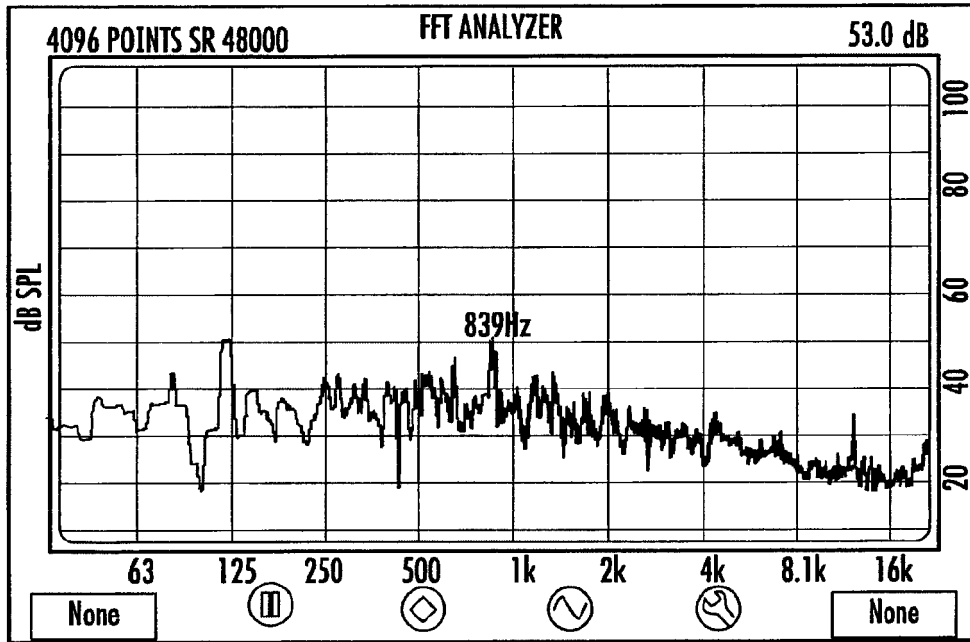


FIG. 7A

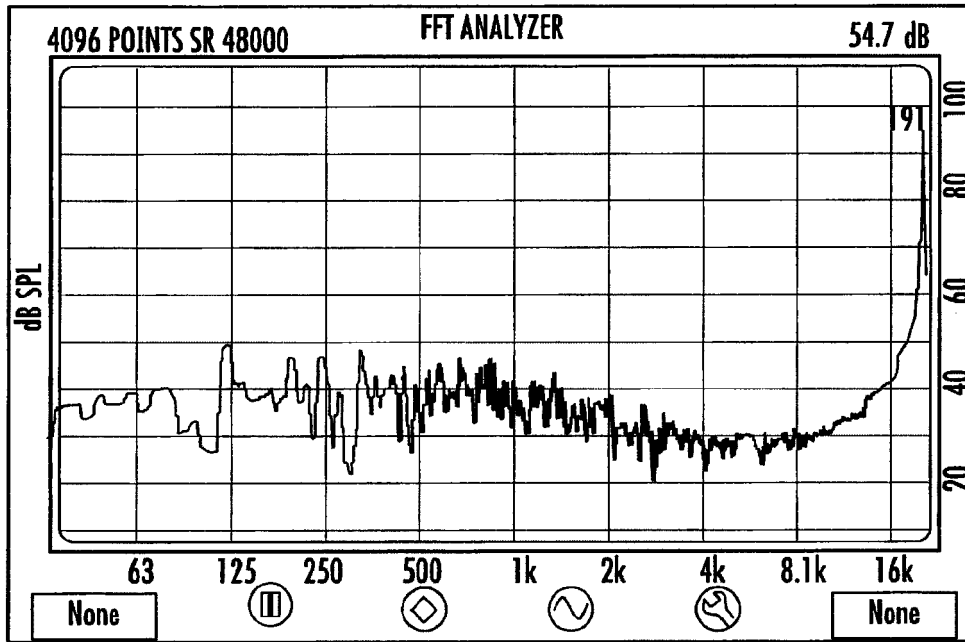


FIG. 7B

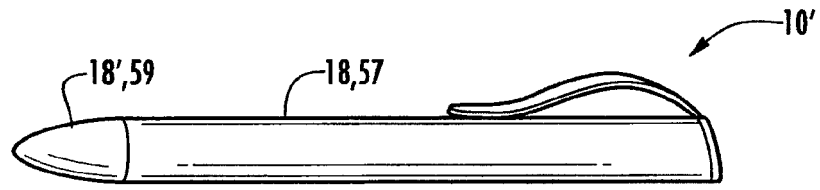


FIG. 8A

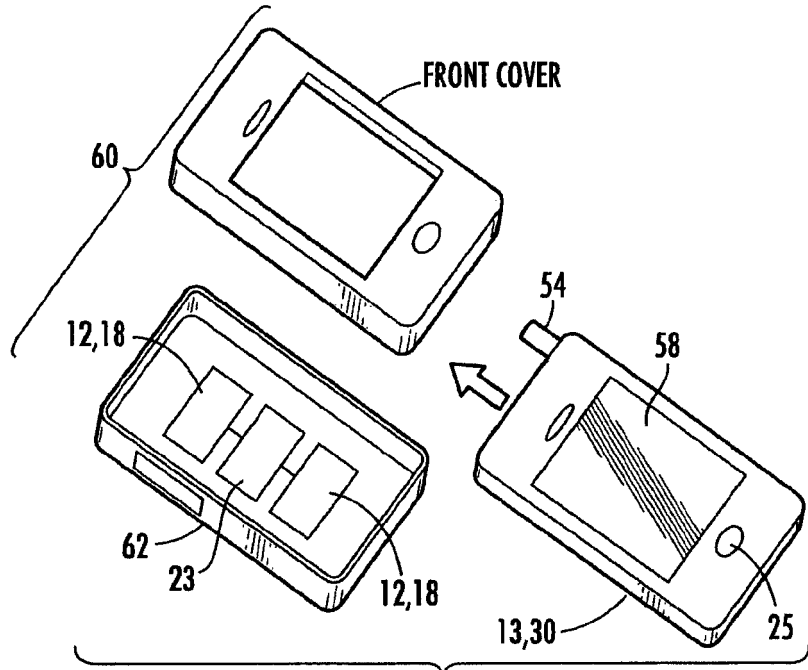


FIG. 8B

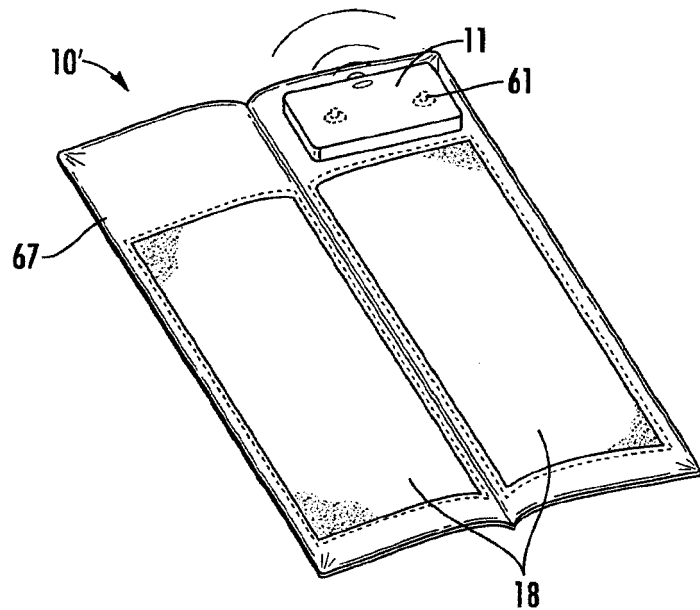


FIG. 8C

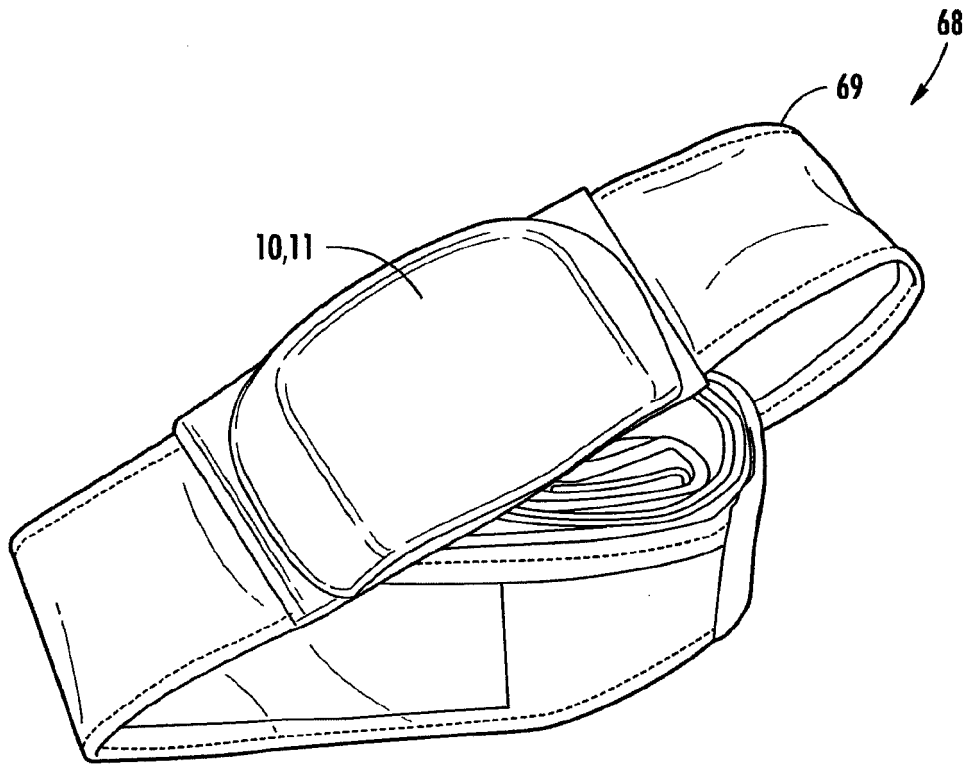


FIG. 9

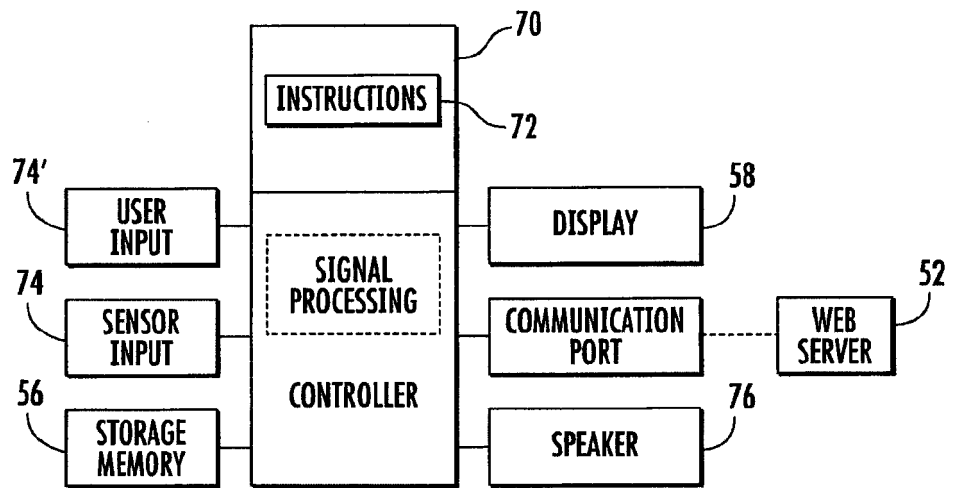


FIG. 10

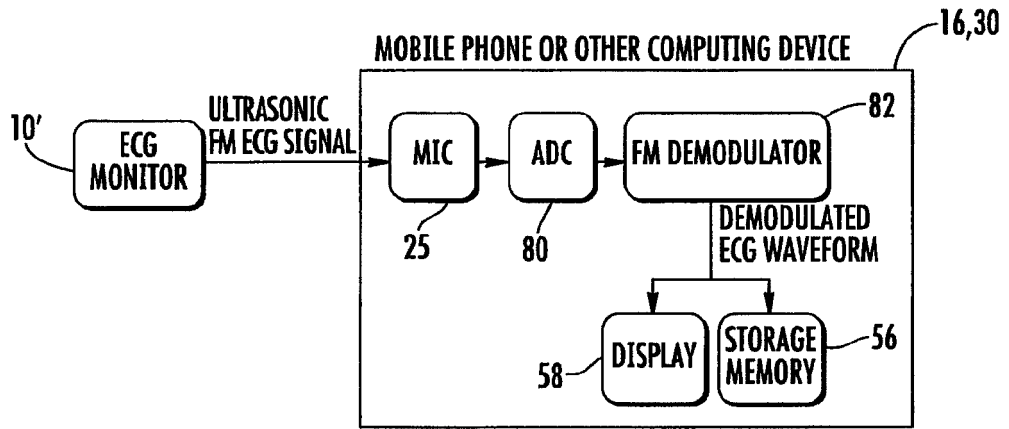


FIG. 11

FREQUENCY SPECTRUM AFTER BANDPASS FILTERING

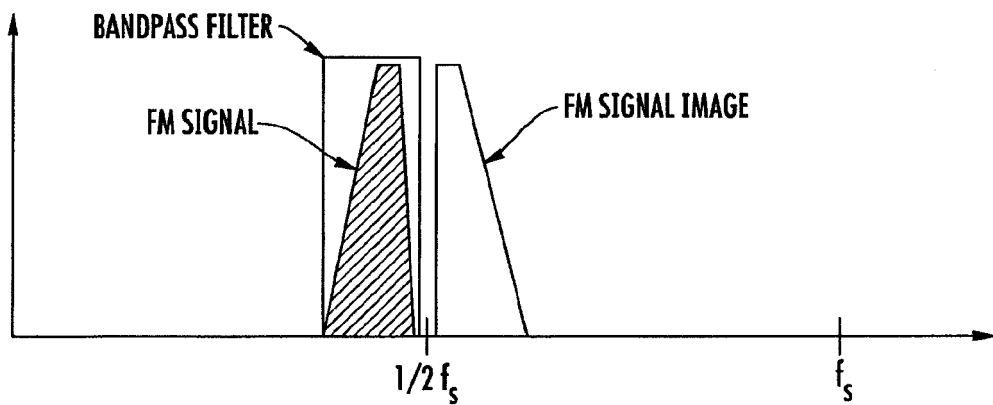


FIG. 12

FREQUENCY SPECTRUM AFTER UNDERSAMPLING AT HALF THE ORIGINAL SAMPLING RATE

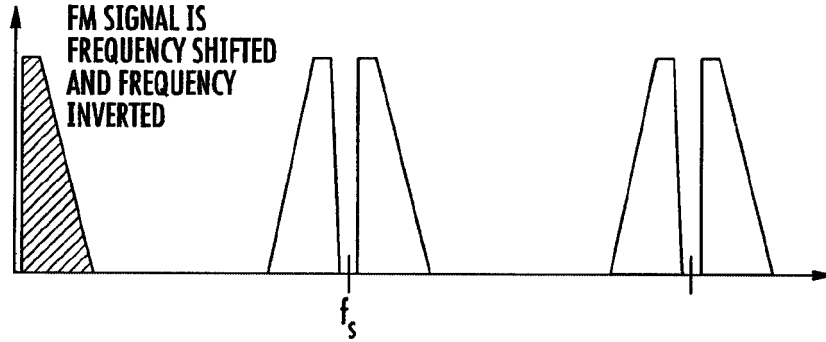


FIG. 13

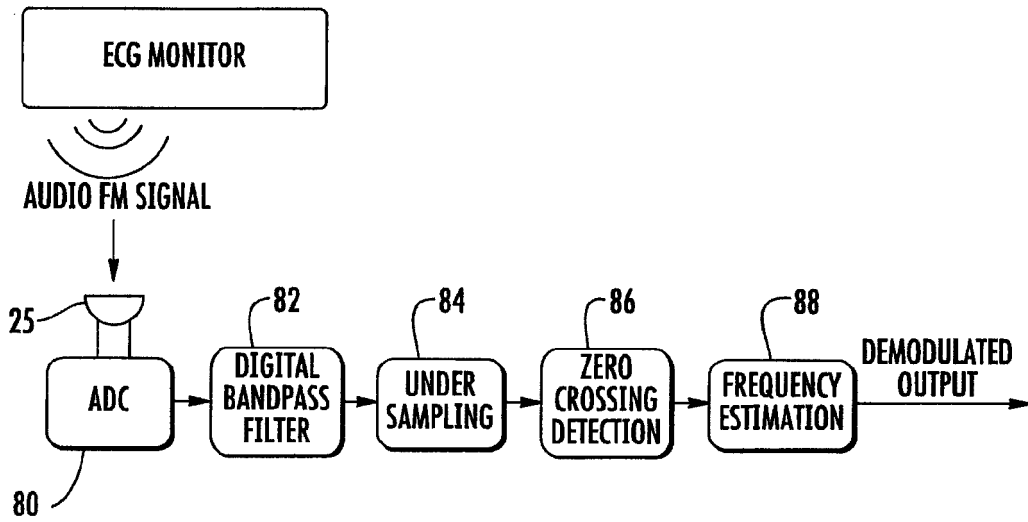


FIG. 14

INTERNATIONAL SEARCH REPORT

International application No.
PCT/US2011/053708**A. CLASSIFICATION OF SUBJECT MATTER****G06Q 50/00(2006.01)i, A61B 5/0402(2006.01)i, H04B 1/40(2006.01)i**

According to International Patent Classification (IPC) or to both national classification and IPC

B. FIELDS SEARCHED

Minimum documentation searched (classification system followed by classification symbols)

G06Q 50/00; A61B 5/04; A61B 5/02; G08B 13/14; A61B 5/0402; G08B 23/00; A61B 5/0408; A61B 5/00; H04B 1/40

Documentation searched other than minimum documentation to the extent that such documents are included in the fields searched

Korean utility models and applications for utility models

Japanese utility models and applications for utility models

Electronic data base consulted during the international search (name of data base and, where practicable, search terms used)

eKOMPASS(KIPO internal) & Keywords: ECG, non-invasive, biometric, ultrasonic

C. DOCUMENTS CONSIDERED TO BE RELEVANT

Category*	Citation of document, with indication, where appropriate, of the relevant passages	Relevant to claim No.
A	US 2004-0220488 A1 (VYSHEDSKIY ANDREY et al.) 04 November 2004 See abstract, claims 1-3,7,16,21, and figure 2.	1-34
A	US 2006-0022833 A1 (KEVIN FERGUSON et al.) 02 February 2006 See abstract, claims 14,26,43, and figures 1A,4A-4B.	1-34
A	US 2010-0256509 A1 (KUO BO-JAU et al.) 07 October 2010 See abstract, claims 1,3,6,8,11, and figures 6,8.	1-34
A	US 2010-0049006 A1 (MAGAR SURENDAR et al.) 25 February 2010 See abstract and claims 66,69,83,92.	1-34

 Further documents are listed in the continuation of Box C. See patent family annex.

* Special categories of cited documents:

"A" document defining the general state of the art which is not considered to be of particular relevance

"E" earlier application or patent but published on or after the international filing date

"L" document which may throw doubts on priority claim(s) or which is cited to establish the publication date of citation or other special reason (as specified)

"O" document referring to an oral disclosure, use, exhibition or other means

"P" document published prior to the international filing date but later than the priority date claimed

"T" later document published after the international filing date or priority date and not in conflict with the application but cited to understand the principle or theory underlying the invention

"X" document of particular relevance; the claimed invention cannot be considered novel or cannot be considered to involve an inventive step when the document is taken alone

"Y" document of particular relevance; the claimed invention cannot be considered to involve an inventive step when the document is combined with one or more other such documents, such combination being obvious to a person skilled in the art

"&" document member of the same patent family

Date of the actual completion of the international search

19 APRIL 2012 (19.04.2012)

Date of mailing of the international search report

27 APRIL 2012 (27.04.2012)

Name and mailing address of the ISA/KR

Korean Intellectual Property Office
Government Complex-Daejeon, 189 Cheongsa-ro,
Seo-gu, Daejeon 302-701, Republic of Korea

Facsimile No. 82-42-472-7140

Authorized officer

LEE, CHUNG KEUN

Telephone No. 82-42-481-5667



INTERNATIONAL SEARCH REPORT

Information on patent family members

International application No.

PCT/US2011/053708

Patent document cited in search report	Publication date	Patent family member(s)	Publication date
US 2004-0220488 A1	04.11.2004	None	
US 2006-0022833 A1	02.02.2006	CA 2578653 A1 EP 1779344 A2 EP 1779344 A4 US 2008-0061949 A1 US 2009-0149257 A1 US 2011-201428 A1 US 7292151 B2 US 7492268 B2 US 7952483 B2 WO 2006-014810 A2 WO 2006-014810 A3 WO 2006-014810 A9	09.02.2006 02.05.2007 19.08.2009 13.03.2008 11.06.2009 18.08.2011 06.11.2007 17.02.2009 31.05.2011 09.02.2006 09.02.2006 30.03.2006
US 2010-0256509 A1	07.10.2010	None	
US 2010-0049006 A1	25.02.2010	EP 1993437 A2 US 2007-0279217 A1 US 2010-0160746 A1 WO 2007-101141 A2 WO 2007-101141 A3	26.11.2008 06.12.2007 24.06.2010 07.09.2007 07.09.2007

专利名称(译)	无线，超声波个人健康监测系统		
公开(公告)号	EP2710546A4	公开(公告)日	2014-12-24
申请号	EP2011865699	申请日	2011-09-28
[标]申请(专利权)人(译)	阿利弗克公司		
申请(专利权)人(译)	ALIVECOR INC.		
当前申请(专利权)人(译)	ALIVECOR INC.		
[标]发明人	ALBERT DAVID E SATCHWELL BRUCE RICHARD BARNETT KIM NORMAN		
发明人	ALBERT, DAVID, E. SATCHWELL, BRUCE, RICHARD BARNETT, KIM, NORMAN		
IPC分类号	G06Q50/00 A61B5/0402 H04B1/40 A61B5/00 H04B11/00 H04M1/02 H04M1/725		
CPC分类号	A61B5/0006 A61B5/0015 A61B5/0022 A61B5/0026 A61B5/0205 A61B5/0404 A61B5/6898 G06Q50/22 G16H40/67 H04B11/00 H04M1/0254 H04M1/72575 H04M2250/12		
优先权	13/108738 2011-05-16 US		
其他公开文献	EP2710546A1		
外部链接	Espacenet		

摘要(译)

个人监测装置具有传感器组件，其被配置为在与用户皮肤接触时感测生理信号。传感器组件产生表示所感测的生理信号的电信号。与传感器组件集成并电连接到传感器组件的转换器组件将由传感器组件产生的电信号转换为频率调制的不可听见的超声声音信号。超声信号从由欠采样产生的混叠信号中解调。