

1

(organic) (EL : electroluminescent)
1 2

가 (segmented)
가

TFT()
(EL)

I - V (diode - like I - V characteristic)

가

(light output)

가
()

가

(thin film organic
EP -

electroluminescent materials)
A - 0717445

EL ()
(junction)

(zon

e) (molecular organic material layers)

(zone)
(zone)

(contiguous)

(zone)

zone)

(contiguous)

(vapour deposited).

O

(high work function) , IT
(discrete pads)

(extend).

(overlying)

, EL (composition), EL (region)

EL

(LEP)가, SID 99 372 375 T. "

TFT (Current Status and Future of Light - E
 mitting Polymer Display Driven by Poly - Si TFT)"

PPV{poly (p - phenylenevinylene)}, ITO, PPV ITO
 PEDOT - PSS(polyethylene dioxytiophene - polystyrene sulphonate), PPV
 PEPOT - PSS (by an orde
 r of magnitude)

WO 96/36959 . LEP

effects) (cross - talk
 가

가

가

가, (sink) 1 1
 / (region) 가 1
 (current sink) 가

1 (deposited conductive layer) (patterning)

1

1 가 (guard ring) 1 EL 가
 (extending)

1) , ITO (photolithogra
 phic patterning) EL

1 2
 EL
 1
 (column conductors)
 1 ITO ITO

1
 2 1
 3
 4 3

EP - A - 0717445

1 (12)
 1 (12)
 14 TFT()
 TFT
 (15) TFT
 가

(12) 1 (18) ,

(20) , (18) (22)
 2 , TFT TFT
 (18) (25) , TFT - (current - carrying terminal)(1
 4) (18) , 가 (20)
 ITO 2 (22) EL (TFT(14)가
)(20) , (18) (22)
 , EL (20) , (15) (light emis
 가 , 가 (20) (20)

EL (20) 가
 EP - A - 0717445 ,
 EP - A - 0717445 (18) 가
 (zone) , (22) (zone) EL (20) EP - A -
 0717445 (region) (18)
 (region) 3 (aromatic tertiary amine)
 (region) (metal oxinoid compound)
 , ITO ,
 {diphenyl vinylene(DPV)} (fluorescent dopant material)
 (8 -) {tris (8 - hydroxyquinolene) aluminium} (Alq₃)
 (triphenylamine derivative)(MTDATA) (rubrene) (diam
 ine derivative) , Alq₃

PEDOT - PSS PPV
 1 , EL (20) / 28

(slightly conductive)
 가 (18)
 가 (22) 5V
 (18) 10V , 가 ()
 (18) , (18) 5V (20) 가

가 (18)
 () , (18)
 1 30 , (20)

A (18) (30) , (18) , .

close). 2 , (30) , (18) , 2((18) (en

가 (current sinking protective guard ring) (18)

(18)

(vias) (25) (24) , ITO (24) , TFT , (30) 가 .

(18) (photolithographical definition process)

(20) (18) , (22)

2 (overlie) , TFT () 가

O (22) , (30) (18) IT

3 4

(15) , 1 (40) (region)

(intervening) (20) ; (40) (20) ,

(40) (45) 2 (42) (cross-over)

(sandwiched) 1 2 (20) (40, 42)

(45) () ()

ITO (42) , (40)

(20) , (molecular electroluminescent material)

, ITO (region)

(20) 가 ,
(45) ,
(50) , (40) 가 .

ITO , (50) (40)

EL (20) / (region) (42)
(20) , , (42)

(inevitably) 가 가 ()
predominantly , .

가

EL EL EL
(region) 가 가

(57)

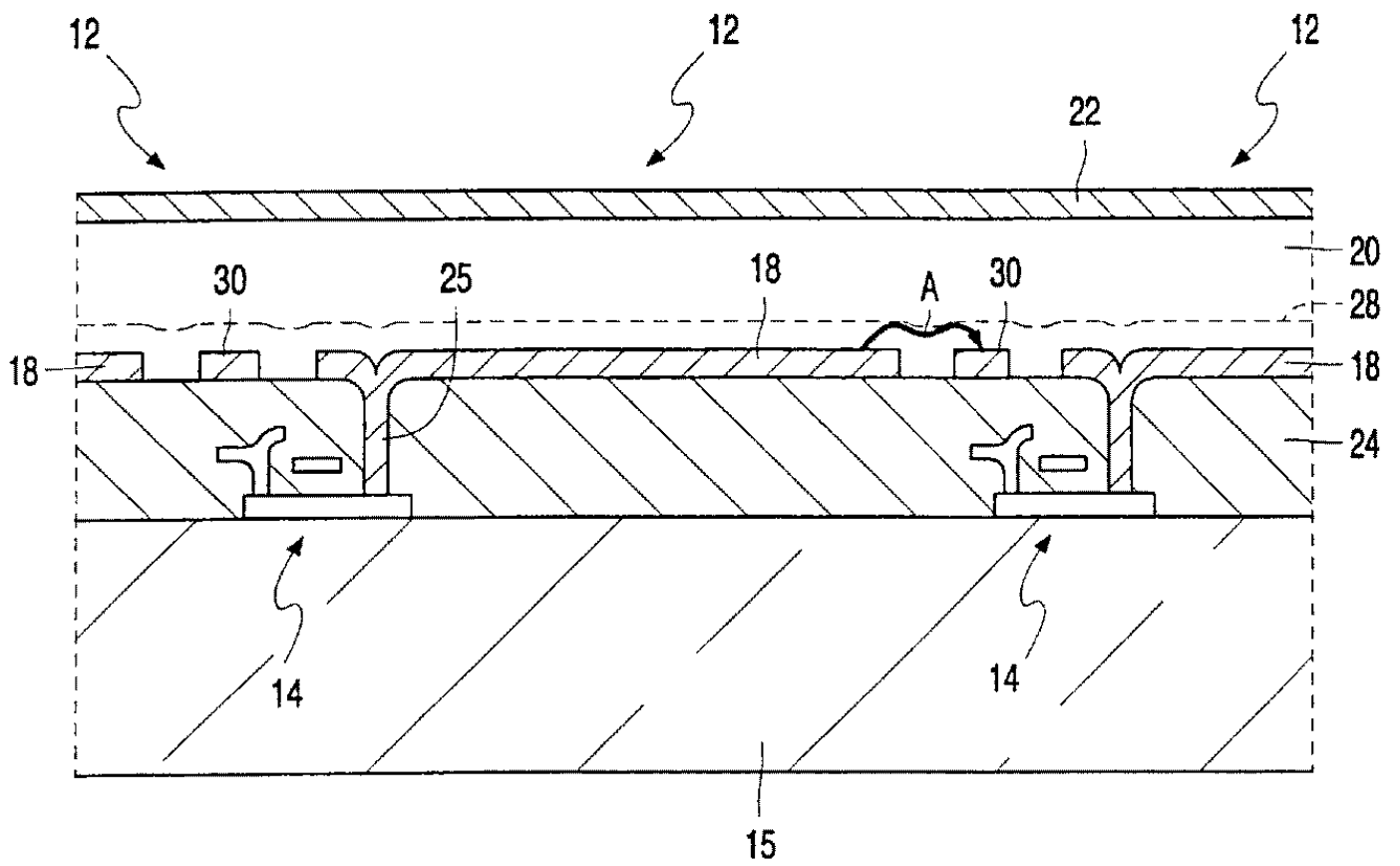
1.

(organic electroluminescent layer)
1 2 ,
1 , 1 (sink) ,

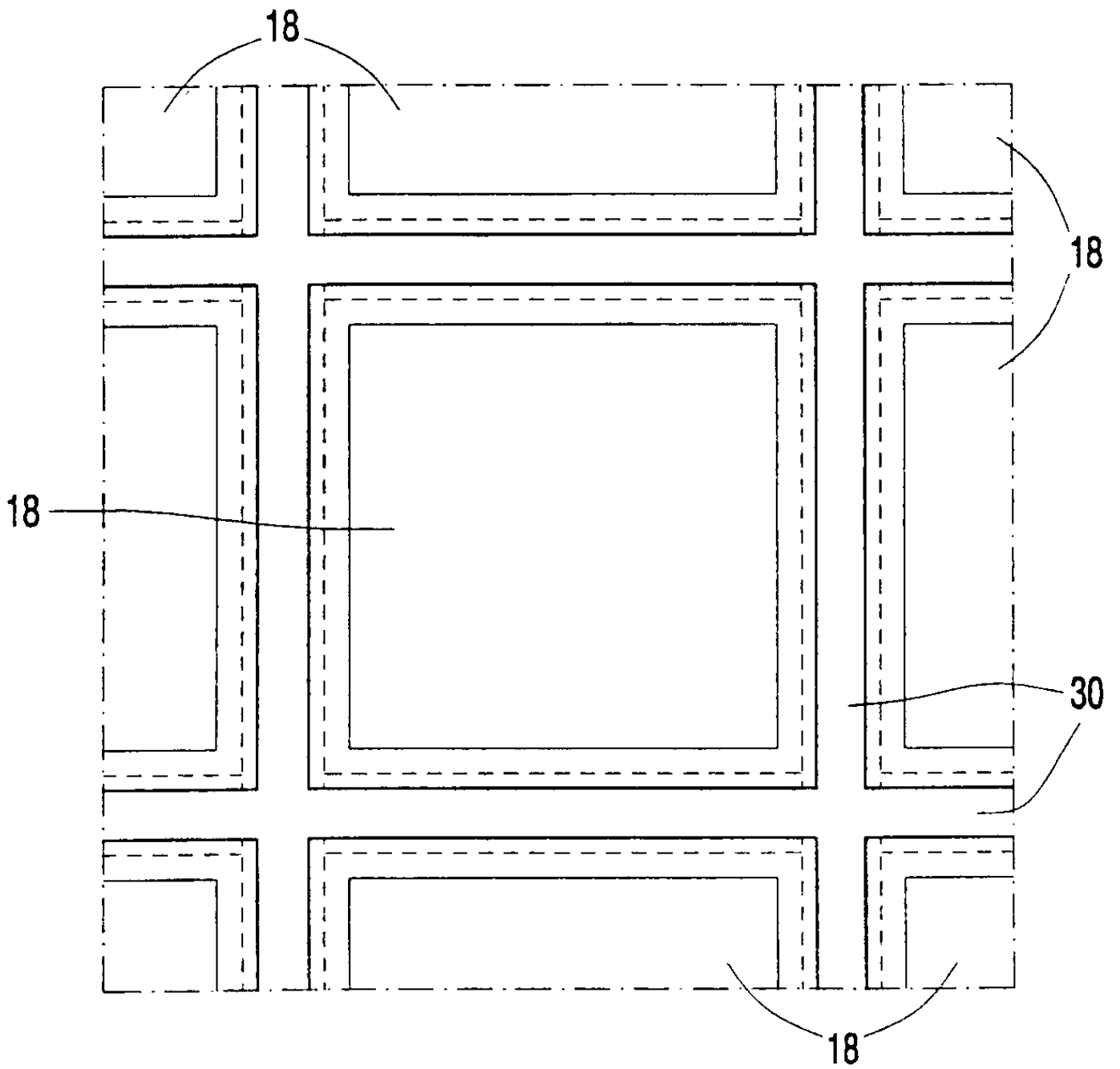
2.

1 , 1

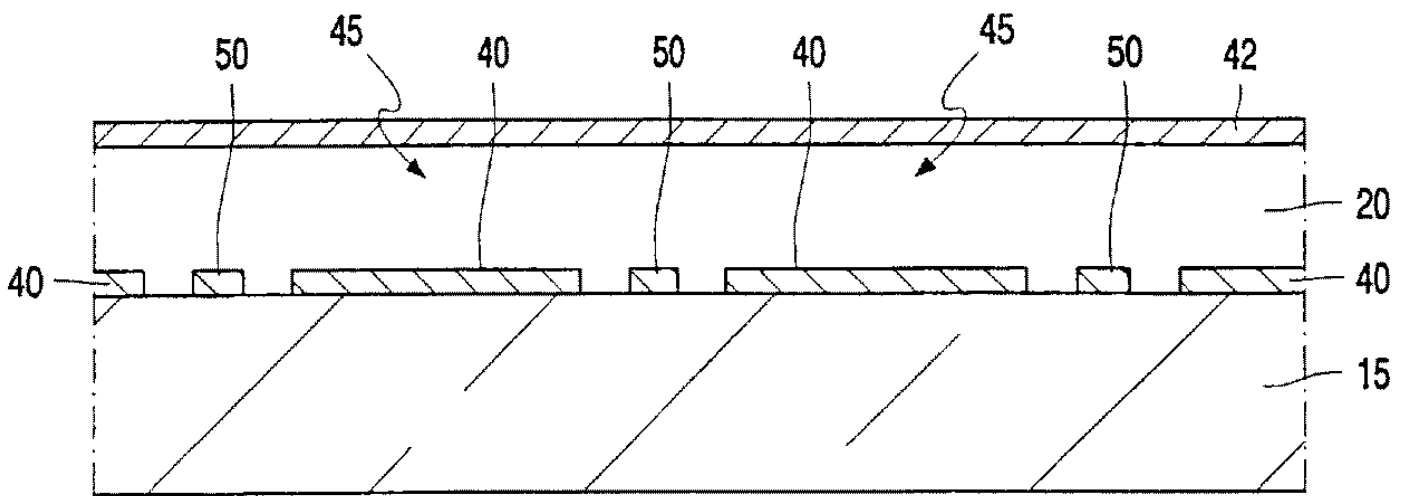
1



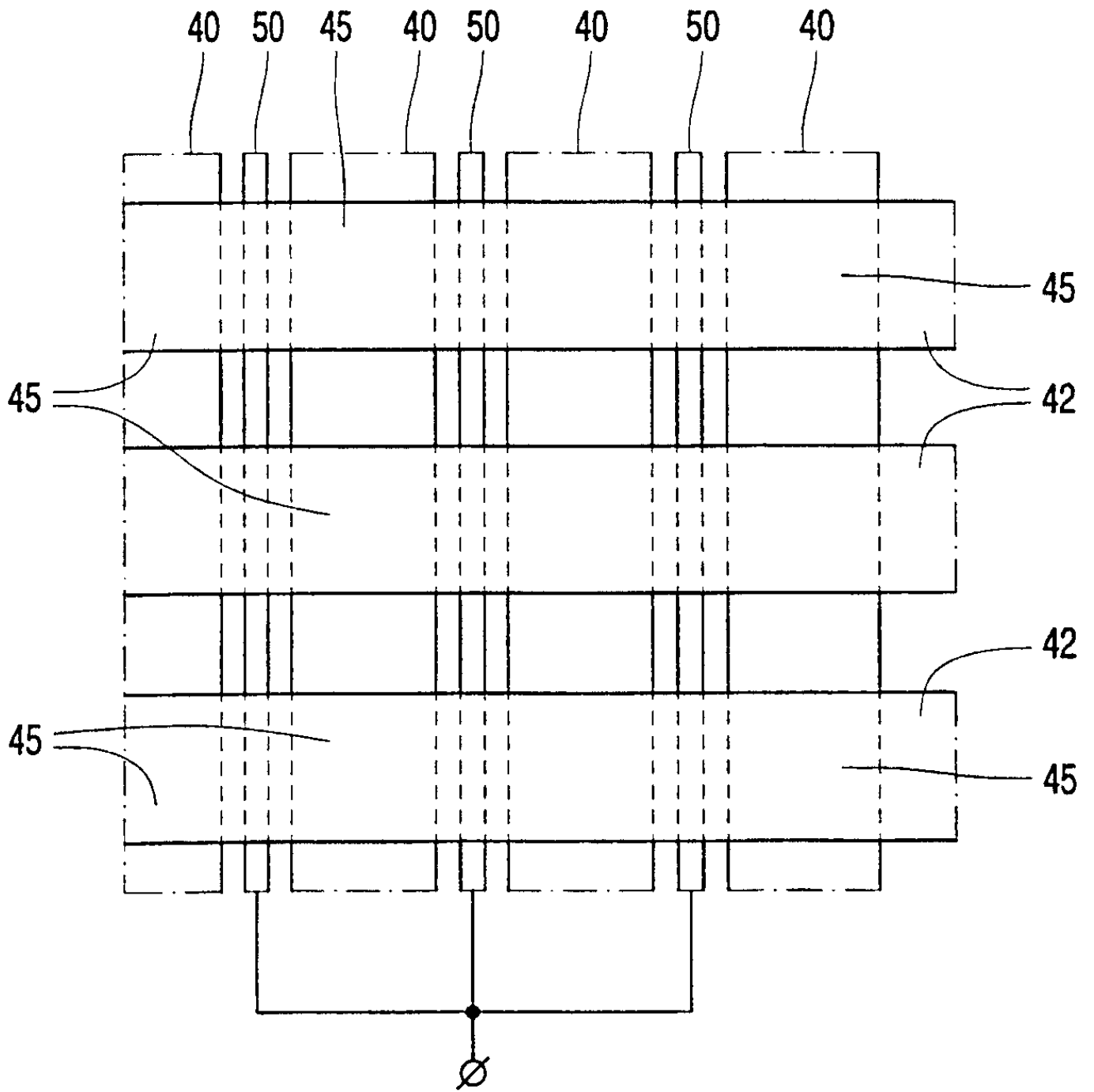
2



3



4



专利名称(译)	有机电致发光显示装置		
公开(公告)号	KR1020010079683A	公开(公告)日	2001-08-22
申请号	KR1020017002317	申请日	2000-06-21
[标]申请(专利权)人(译)	皇家飞利浦电子股份有限公司		
申请(专利权)人(译)	科宁欣克利凯恩菲利普斯日元.V.		
当前申请(专利权)人(译)	科宁欣克利凯恩菲利普斯日元.V.		
[标]发明人	YOUNG NIGEL D		
发明人	YOUNG,NIGEL,D.		
IPC分类号	H01L51/50 G09F9/30 G09G3/32 H01L27/32 H01L51/52 H05B33/26 H05B33/08		
CPC分类号	G09G3/3208 G09G2320/0209 H01L27/3244 H01L27/3281 H01L51/5203		
代理人(译)	MOON, KYOUNG金 CHO, 贤SEOG		
优先权	1999014801 1999-06-25 GB		
其他公开文献	KR100739019B1		
外部链接	Espacenet		

摘要(译)

并且多个显示元件12各自在EL层的相对侧上具有公共有机电致发光(EL)层20和第二有机电致发光(EL)层20的一部分。并且第二电极(18,22),具有预定电位的导体(30)在相邻显示元件的第一电极(18)之间延伸,并且提供与EL层接触,用于吸收倾向于在相邻显示元件之间的EL层中横向流动的电流。在有源矩阵阵列器件中,可以以围绕每个显示元件焊盘电极18延伸的栅格的形式提供导体。在无源矩阵阵列装置中,导体可包括在一组地址导体40之间延伸的导线50。 - 1 - 1

