



CA, CH, CN, CO, CR, CU, CZ, DE, DK, DM, DZ, EC, EE, EG, ES, FI, GB, GD, GE, GH, GM, HR, HU, ID, IL, IN, IS, JP, KE, KG, KP, KR, KZ, LC, LK, LR, LS, LT, LU, LV, MA, MD, MG, MK, MN, MW, MX, MZ, NA, NI, NO, NZ, OM, PG, PH, PL, PT, RO, RU, SC, SD, SE, SG, SK, SL, SY, TJ, TM, TN, TR, TT, TZ, UA, UG, UZ, VC, VN, YU, ZA, ZM, ZW, ARIPO patent (BW, GH, GM, KE, LS, MW, MZ, NA, SD, SL, SZ, TZ, UG, ZM, ZW), Eurasian patent (AM, AZ, BY, KG, KZ, MD, RU, TJ, TM), European patent (AT, BE, BG, CH, CY, CZ, DE, DK, EE, ES, FI, FR, GB, GR, HU, IE, IT, LU, MC, NL, PL, PT, RO, SE, SI, SK, TR), OAPI patent (BF, BJ, CF, CG, CI, CM, GA, GN, GQ, GW, ML, MR, NE, SN, TD, TG)

Published:

- with international search report
- before the expiration of the time limit for amending the claims and to be republished in the event of receipt of amendments

For two-letter codes and other abbreviations, refer to the "Guidance Notes on Codes and Abbreviations" appearing at the beginning of each regular issue of the PCT Gazette.

Double seal with getter in flexible organic displays

FIELD OF THE INVENTION

The present invention relates to flexible organic displays.

TECHNOLOGICAL BACKGROUND

5 Flexible displays are a great challenge towards new markets. Basically, flexible displays can be manufactured using known display elements, e.g. Liquid Crystal Display (LCD) elements or Organic Light Emitting Display (OLED) elements, deposited on flexible substrates, e.g. polymer substrates. For example, Philips has demonstrated a flexible display based on liquid crystal materials. The use of light emitting polymers offers the
10 advantage of excellent viewing angle, contrast and low power consumption. Flexible passive matrix monochrome organic light emitting displays (OLEDs) have been demonstrated by US and Far East companies, such as Pioneer, Dai Nippon, UDC, and DuPont Displays.

Generally, an OLED comprises an organic display element which is deposited on a base glass substrate and covered by an exit substrate. One of the critical issues for
15 Organic Light Emitting Devices (OLEDs) is their lifetimes, which is largely limited by the degradation of the organic light emitting material induced by water and oxygen inside the display. Therefore, the packaging of the display element is critical. In order to provide for a gas tight encapsulation of the display element, the substrates are joined together by a seal impermeable to water and/or oxygen. Furthermore, the displays are usually assembled in
20 inert gas conditions, in order to eliminate any contamination from being contained in the display. However, there is always a risk for some trace amounts of oxygen or water to remain in the display cell and the seals are not 100% impermeable to moisture and gas. Therefore, packaging of polyLED devices deposited on glass currently involves gluing a rigid lid with getter on the glass substrate, which absorbs excess water and or gaseous substances in the
25 display. However, even using getter the impermeability requirements for the seals are high.

Typically, seals are formed out of organic materials. Basically there are two ways to increase the impermeability of such materials, either a filler is added or the organic backbone of the material is changed. However, both approaches result not only in increased impermeability, but also in reduced flexibility (i.e. increased young's modulus). In rigid

displays this is not a problem since the flexibility of the seal is not an issue. However, when it comes to flexible displays the seals need to be flexible enough not to fracture when bending the display.

Actually, the seals in flexible displays are exposed to a number of loads when the display is bent. First, the material in the seal itself is of course bent, giving rise to internal stress in the material. Second, and even worse, the seal material is exposed to a shear force which is due to the spatial separation of the base and exits substrates. Third, unless the substrates are extremely flexible, the seal will experience a tensile force as the substrates inherently want to become straight again. Using prior art, rigid seals for flexible displays therefore results in gas leakages due to the substrates delaminating and the seal material fracturing. Therefore, there is a need for flexible displays having improved seals.

SUMMARY OF THE INVENTION

It is therefore an object of the present invention to provide flexible displays having improved seals.

This object is accomplished by the inventive display device as defined in claim 1. The appended sub-claims provide advantageous embodiments of the invention. Further objects and advantages will be apparent from the following description.

The present invention thus provides a flexible organic light emitting display element, comprising a flexible back plate substrate, a flexible cover substrate, a seal, an active display element which is deposited on said flexible back plate substrate wherein said back plate and cover substrates are joined together by said seal so as to encapsulate said active display element, and wherein said seal comprises an inner seal portion and an outer seal portion, the outer seal portion being flexible as compared to the inner seal portion and the inner seal portion being impermeable as compared to the outer seal portion and being deposited between the outer seal portion and the display element.

The inner seal portion is designed to provide for the required impermeability, and is thus made relatively rigid. Using only such a seal, the arrangement would readily delaminate and fracture when bent. However, combining the inner, rigid seal with an outer, flexible seal portion provides for the required robustness. The strength in such an outer seal portion is surprisingly not only enough to secure the substrate joint when bent, but also to substantially reduce the tendency of the rigid inner seal portion to fracture. This is crucial, since any fractures in the inner seal portion would create gas leakages through the entire seal

even if the outer seal portion is still unbroken. This is so due to the permeability of the outer seal portion, which in turn is a consequence of the flexibility requirements.

It has thus been found that the inventive composite seal provides for substantially increased structural strength in the assembly. The flexible outer seal distributes the stresses that occur due to bending of the display. The resulting stress distribution thus lowers the tensile force between the substrates and therefore decreased the risk for substrate delamination.

A square display device being 30 mm times 30 mm in size typically has a total seal width of 2 mm (range 0.5 – 5 mm), a seal height of 0.01 mm (range 0.003 – 0.1 mm) and a total seal length of 120 mm. In the inventive seal, the inner and outer seal portions preferably have about the same width. The substrates typically are 0.1 mm thick.

The seal preferably has a permeability below $5 \cdot 10^{-5}$ g water/m²/day, and even more preferably below $1 \cdot 10^{-5}$ g water/m²/day. It has been found that this requirement is sufficient to provide a satisfactory life time for the device.

The inner seal portion preferably is formed out of a material having a young's modulus higher than 1 GPa, and even more preferably higher than 2 GPa. As it appears, this stiffness is a necessary consequence of the required impermeability.

The outer seal portion is preferably formed out of a material having a young's modulus lower than 50 MPa, and even more preferably lower than 10 MPa. Materials being this flexible provides for the robustness necessary to avoid substrate delaminations and fractures in the inner seal portion when the display is bent.

Regarding the stiffness of the materials in the inner and outer seal portions, it has been found that a ratio between their respective young's moduli advantageously is between 1/100 – 1/1000 for many applications. The inventive seals are experienced to be at least as impermeable as the prior art rigid display seals, thus providing flexible displays having at least the same life time endurance.

For the purpose of the present invention it is thus realised that a homogenous seal cannot provide for the combination of required robustness and required impermeability, which are essential for the life time of the display. Therefore, a seal comprising an inner seal portion and an outer seal portion is proposed. The outer seal portion is flexible as compared to the inner seal portion and the inner seal portion is impermeable as compared to the outer seal portion and being deposited between the outer seal portion and the display element.

BRIEF DESCRIPTION OF THE DRAWINGS

In the following various embodiments of the present invention will be further described with reference to the accompanying drawings, on which:

Fig. 1 shows a cross section of a prior art rigid display, having a homogeneous seal.

5 Fig. 2 shows cross section of an inventive, flexible display having a composite seal.

Fig. 3 shows a top view as well as a cross section of an inventive display.

Fig. 4 shows an inventive display as well as magnified cross sections indicating the stress distribution in an inventive seal as compared to a homogeneous seal.

10 Fig. 5-7 shows the stress distribution for various seal compositions in flexible displays.

EMBODIMENTS OF THE INVENTION

Fig. 1 shows a cross section of a rigid, prior art display 100. The display
15 comprises a back plane 101 on which an organic light emitting polymer 104 is arranged between an anode 103 and a cathode 105. A metallic back cover 102 is spaced apart from the back plane by means of seals 107 thus forming a closed display cell. Finally, a getter 108 is arranged on the metallic lid 102 inside the display cell. In figure 1 as well as in the following figures, the seals have an exaggerated thickness in order to increase readability. The substrates
20 in a typical display device can for example be about 0.1 mm thick and the seals can be about 0.01 mm, the seals thus being substantially thinner than the substrates.

Fig. 2 shows a cross section of an inventive, flexible display 200 having an inner seal portion 206 and an outer seal portion 207 encapsulating the display cell. Both the back plane 201 and the cover substrate 202 are formed out of a flexible material, for example
25 a polycarbonate or a polyester. The display element is similar to prior art displays, thus including an anode 203, a layer 204 of an organic light emitting material and a cathode 205. The active display element is driven via interconnection lines that are fed underneath the seal to the driving electronics outside the display device. These components are however similar to conventional OLEDs and are not shown in the figure.

30 Fig. 3 schematically shows a top perspective of an inventive display 300, as well as a cross section along A – A. The display thus comprises a back plane 301, a cover substrate 302, and a display element 303. Also shown is the inventive double seal, comprising an inner seal portion 305 and an outer seal portion 304.

According to one embodiment, the flexible seal has a young's modulus of 8 MPa and the rigid seal portion has a young's modulus of 2 GPa.

The required water vapour transmission (permeability) rate for organic PLED devices should be lower than 0.00005 g/m²/day and preferably lower than 0.00001 g/m²/day.

5 The permeability can be measured using the so-called Ca-test, developed by Philips and based on the optical detection of the degradation of metals (Calcium) sensitive to oxygen and water.

The seal materials that are considered so far are Delo 3033 with a modulus of 2 GPa and Delo 30F220F with a modulus of 8 MPa (both available from the german company
10 DELO Industrie Klebstoffe), thus providing a young's moduli ration of 1/250. In comparison, prior art impermeable seals typically has a modulus of 4 GPa. However, as readily realised by the skilled man, there are numerous possible organic materials for the seal portions, including thermally curing or UV-curing epoxies, hybrid epoxies and acrylates. ..

Fig. 4 schematically shows a flexible display 400 being exposed for forces,
15 indicated by the arrows 406. Also shown is enlarged portions 407, 408 showing in detail a seal exposed for the corresponding stress. Portions 407 shows the stress distribution in a prior art seal, having a homogeneous rigid seal. The black area 404 indicates the region where the stress is above the strength of the material and the seal will therefore fracture, and the gray areas indicate areas where the stress is below the strength threshold value. In comparison,
20 portion 408 shows an inventive seal, comprising an inner, rigid seal portion and an outer, flexible seal portion according to the invention. The seal is exposed for exactly the same stress distribution as portion 407. As can be seen, nowhere is the stress above the strength threshold value of the seal, and therefore no fractures will appear.

In general, inventive displays can be manufactured much the same as prior art
25 flexible OLEDs the only difference being the seal arrangement. Active organic device layers are thus deposited on a flexible back plane substrate in a number of consecutive front end process steps. After the front end processing, the back plane is transferred to a glove box containing an inert, dry nitrogen gas environment suitable for performing back end processing steps including depositing a cathode on the active device and packing the display.
30 To this end a rigid seal having a young's modulus after curing of 2 GPa is dispensed on a flexible cover substrate outside the glove box. Thereafter a flexible seal having a young's modulus after curing of 8 MPa is dispensed next to and on the outside of the rigid seal. The cover substrate with the uncured double seal lines is then transferred via a vacuum chamber to the nitrogen box. The back plane and cover substrate are accurately aligned and coupled in

a controlled way, and the seals are finally cured by UV-light. The finally sealed devices can now be removed from the glove box.

EXPERIMENT

5 A system of two thin, flexible substrates sealed together with a thin adhesive layer was used for a qualitative analysis. This so-called lap-shear test was used in a finite element modelling analysis. Figure 4 shows the stress state of this system in shear tension, for an adhesive layer having a high young's modulus. The stress reached a maximum at the end of the seal line as shown by the black 501 portion in Figure 5. The risk for delamination
10 was consequently high in this case. The same lap-shear test was subsequently performed using a flexible adhesive layer (with accompanying low modulus), and the resulting stress state of the system in shear tension is shown in Figure 6. The high stress level present at both ends of the substrate decreased gradually along the seal line in the joint. As can be seen, the critical region 601 is no more exposed for a too high stress level. Consequently, no high
15 stress was present near the seal line and the risk for delamination was substantially reduced. A combination of a rigid (high modulus) and a flexible (low modulus) seal in this lap-shear test thus appeared to combine the best of both alternatives, i.e. robustness and impermeability. The calculated stress for a combined seal (in this case symmetric: high modulus inside and low modulus outside) is shown in Figure 7. The flexible seal on the
20 outside distributes the stress and diminishes the peeling stress at both ends of the seal. The inventive seal composition comprising a flexible and a rigid seal portion thus provided similar stress distribution as for a homogenous, flexible seal. Of course, using only such a flexible seal would not provide for the required impermeability which indeed is provided for by the inventive, composite seal.

CLAIMS:

1. A flexible organic light emitting display element, comprising a flexible back plate substrate, a flexible cover substrate, a seal, an active display element which is deposited on said flexible back plate substrate wherein said back plate and cover substrates are joined together by said seal so as to encapsulate said active display element, and wherein said seal
5 comprises an inner seal portion and an outer seal portion, the outer seal portion being flexible as compared to the inner seal portion and the inner seal portion being impermeable as compared to the outer seal portion and being deposited between the outer seal portion and the display element.
- 10 2. A display element according to claim 1, wherein the inner seal portion has a lower permeability than the outer seal portion.
3. A display element according to claim 1, wherein the seal has a permeability below $5 \cdot 10^{-5}$ g water per square meter per day.
15
4. A display element according to claim 1, wherein the inner seal portion is formed of a material having a young's modulus higher than 1 GPa.
5. A display element according to claim 1, wherein the inner seal portion is
20 formed of a material having a young's modulus higher than 2 GPa.
6. A display element according to claim 1, wherein the outer seal portion is formed of a material having a young's modulus lower than 50 MPa.
- 25 7. A display element according to claim 1, wherein the outer seal portion is formed of a material having a young's modulus lower than 10 MPa.
8. A display element according to claim 1, wherein a ratio of young's modulus of inner seal and outer seal material, respectively, is between 1/100 to 1/1000.

1/4

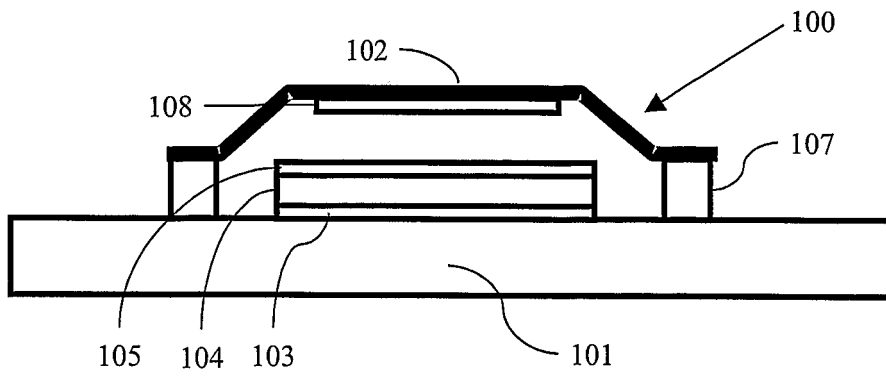


FIG. 1
PRIOR ART

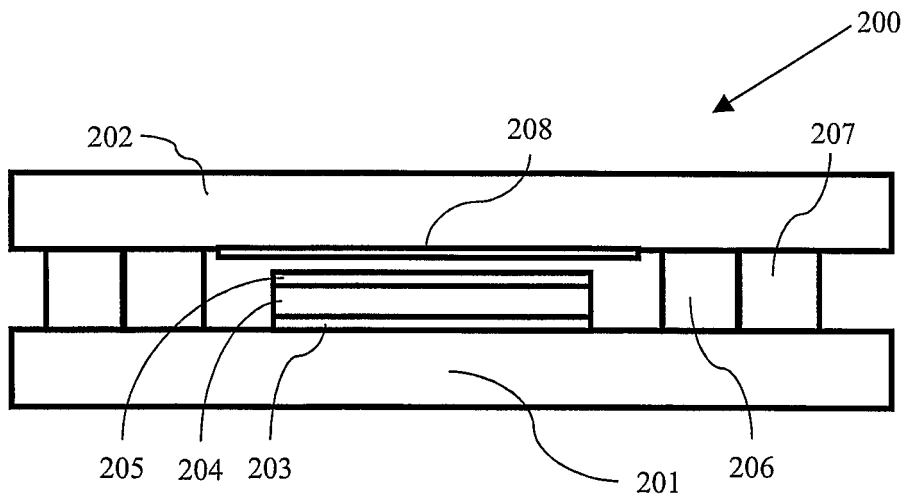


FIG. 2

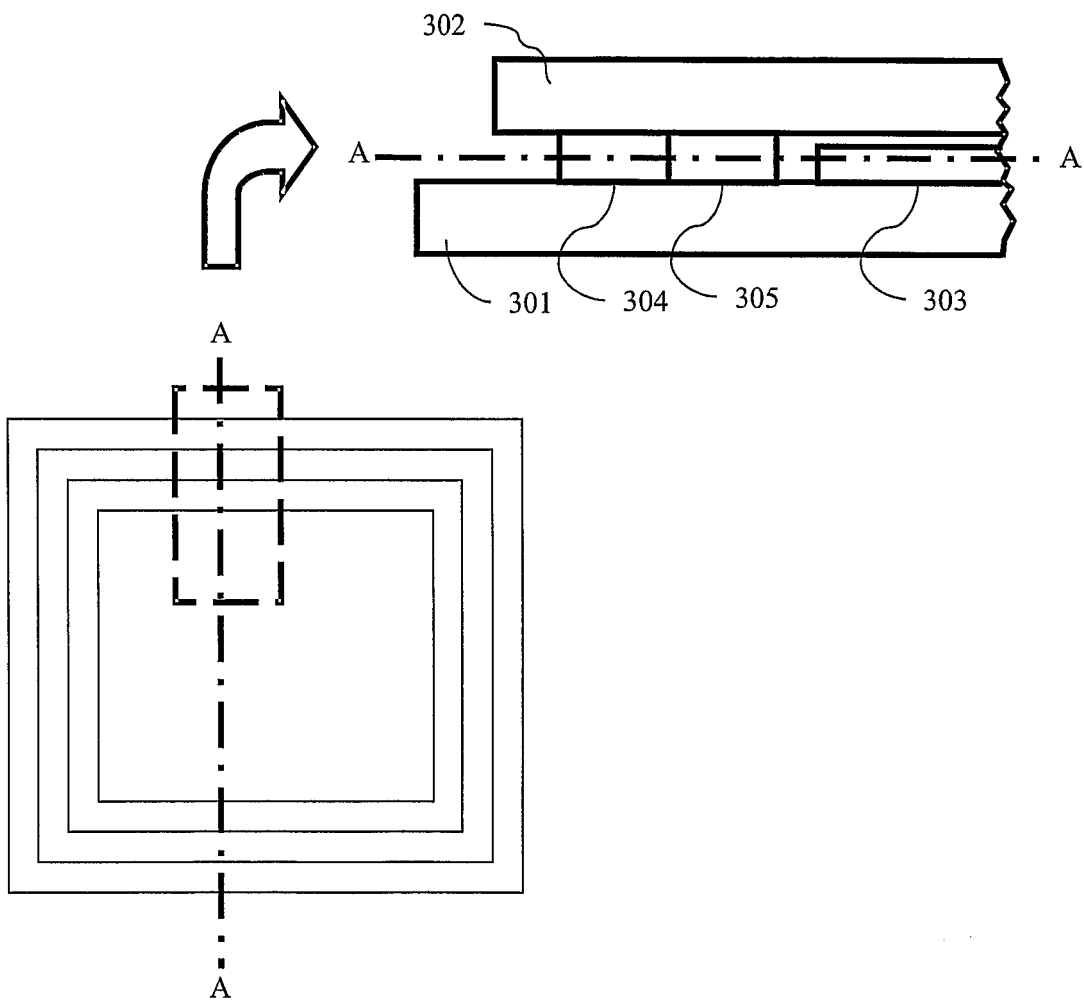


FIG.3

3/4

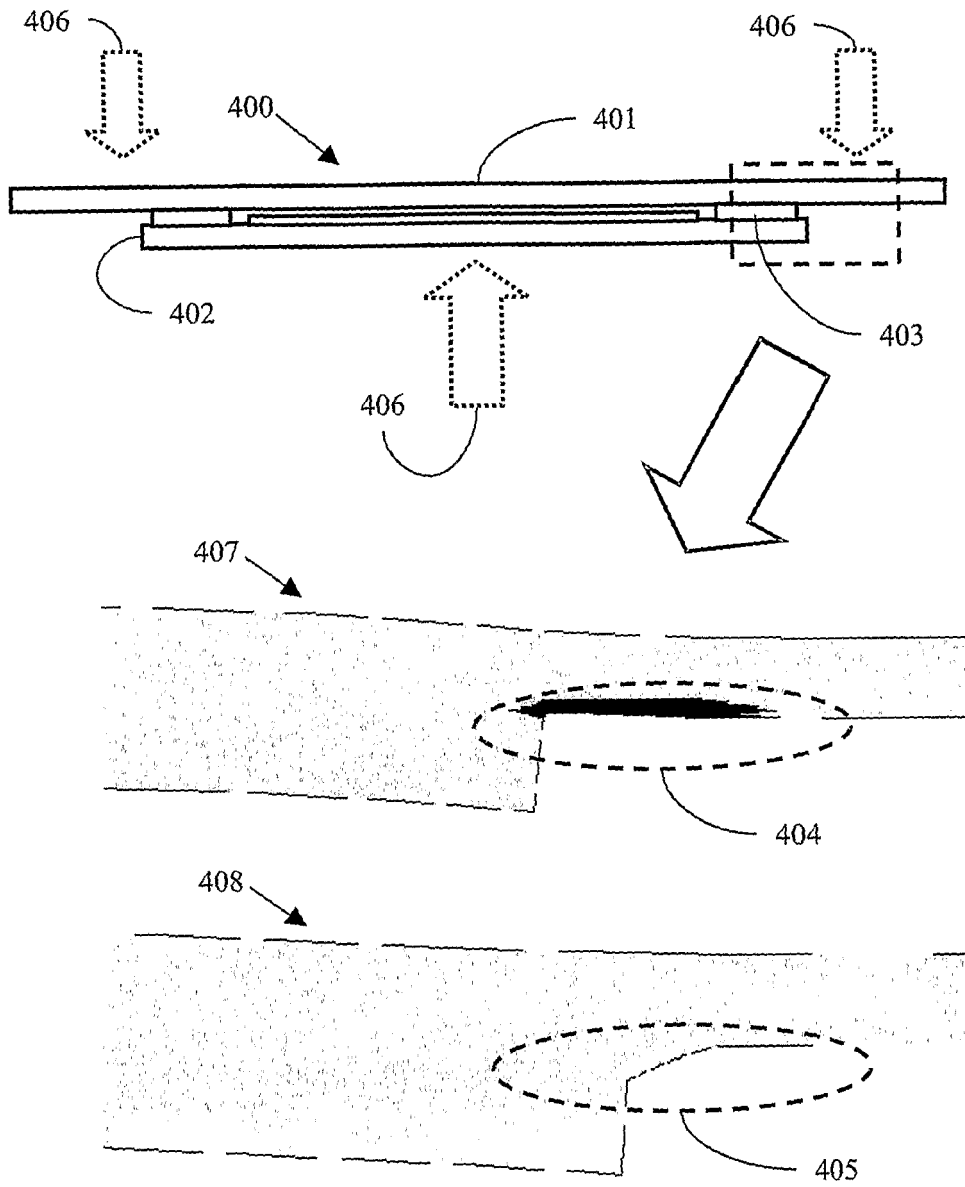


FIG.4

4/4

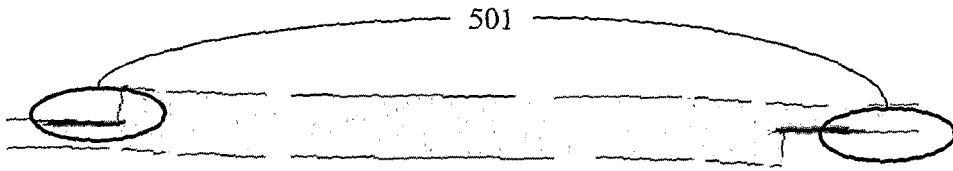


FIG. 5

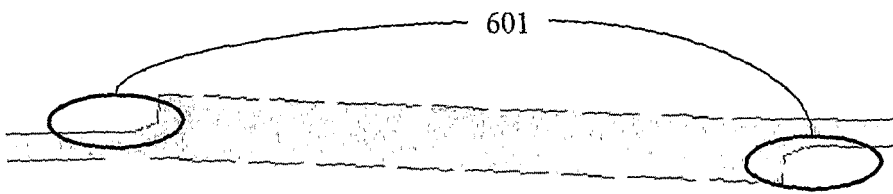


FIG. 6

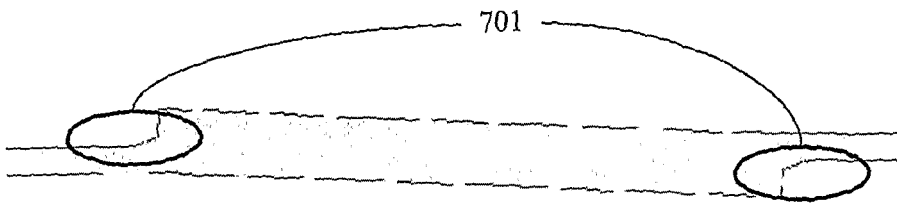


FIG. 7

INTERNATIONAL SEARCH REPORT

IB2004/050867

A. CLASSIFICATION OF SUBJECT MATTER
 IPC 7 H01L51/10

According to International Patent Classification (IPC) or to both national classification and IPC

B. FIELDS SEARCHED

Minimum documentation searched (classification system followed by classification symbols)
 IPC 7 H01L

Documentation searched other than minimum documentation to the extent that such documents are included in the fields searched

Electronic data base consulted during the international search (name of data base and, where practical, search terms used)

EPO-Internal, INSPEC

C. DOCUMENTS CONSIDERED TO BE RELEVANT

Category °	Citation of document, with indication, where appropriate, of the relevant passages	Relevant to claim No.
X	TW 515 062 B (DELTA OPTOELECTRONICS INC) 21 December 2002 (2002-12-21)	1-5
A	the whole document figures 5,6	6-8
X	US 2002/018911 A1 (BERNIUS MARK T ET AL) 14 February 2002 (2002-02-14)	1-5
A	paragraphs '0017! - '0035!; figure 3	6-8
A	US 2003/066311 A1 (TSAI JIUN-WEI ET AL) 10 April 2003 (2003-04-10)	1-8
A	figure 4	
A	WO 02/21557 A (INST OF MATERIALS RES & ENGINE; OSRAM OPTO SEMICONDUCTORS GMBH ; AUCH) 14 March 2002 (2002-03-14)	1-8
	the whole document figure 2	
	-/--	

Further documents are listed in the continuation of box C. Patent family members are listed in annex.

° Special categories of cited documents :

- *A* document defining the general state of the art which is not considered to be of particular relevance
- *E* earlier document but published on or after the international filing date
- *L* document which may throw doubts on priority claim(s) or which is cited to establish the publication date of another citation or other special reason (as specified)
- *O* document referring to an oral disclosure, use, exhibition or other means
- *P* document published prior to the international filing date but later than the priority date claimed
- *T* later document published after the international filing date or priority date and not in conflict with the application but cited to understand the principle or theory underlying the invention
- *X* document of particular relevance; the claimed invention cannot be considered novel or cannot be considered to involve an inventive step when the document is taken alone
- *Y* document of particular relevance; the claimed invention cannot be considered to involve an inventive step when the document is combined with one or more other such documents, such combination being obvious to a person skilled in the art.
- *Z* document member of the same patent family

Date of the actual completion of the international search	Date of mailing of the international search report
3 November 2004	24/11/2004

Name and mailing address of the ISA European Patent Office, P.B. 5818 Patentlaan 2 NL - 2280 HV Rijswijk Tel. (+31-70) 340-2040, Tx. 31 651 epo nl, Fax: (+31-70) 340-3016	Authorized officer Bernabé Prieto, A
--	---

INTERNATIONAL SEARCH REPORT

IB2004/050867

C.(Continuation) DOCUMENTS CONSIDERED TO BE RELEVANT

Category °	Citation of document, with indication, where appropriate, of the relevant passages	Relevant to claim No.
A	PATENT ABSTRACTS OF JAPAN vol. 2000, no. 04, 31 August 2000 (2000-08-31) & JP 2000 030858 A (TDK CORP), 28 January 2000 (2000-01-28) abstract -----	1-8
P, X	US 2003/122476 A1 (DELTA OPTOELECTRONICS INC) 3 July 2003 (2003-07-03) the whole document figures 5,6 -----	1-5

INTERNATIONAL SEARCH REPORT

IB2004/050867

Patent document cited in search report		Publication date	Patent family member(s)	Publication date
TW 515062	B	21-12-2002	JP 2003203763 A US 2003122476 A1	18-07-2003 03-07-2003
US 2002018911	A1	14-02-2002	EP 1186066 A1 JP 2003523044 T WO 0069002 A1	13-03-2002 29-07-2003 16-11-2000
US 2003066311	A1	10-04-2003	TW 517356 B JP 2003123966 A US 2004069017 A1	11-01-2003 25-04-2003 15-04-2004
WO 0221557	A	14-03-2002	WO 0221557 A1 AU 7468200 A EP 1320862 A1 JP 2004508679 T TW 533611 B	14-03-2002 22-03-2002 25-06-2003 18-03-2004 21-05-2003
JP 2000030858	A	28-01-2000	NONE	
US 2003122476	A1	03-07-2003	TW 515062 B JP 2003203763 A	21-12-2002 18-07-2003

专利名称(译)	双层密封，带有柔软有机显示屏的吸气剂		
公开(公告)号	EP1639658A1	公开(公告)日	2006-03-29
申请号	EP2004736432	申请日	2004-06-09
[标]申请(专利权)人(译)	皇家飞利浦电子股份有限公司		
申请(专利权)人(译)	皇家飞利浦电子N.V.		
当前申请(专利权)人(译)	皇家飞利浦电子N.V.		
[标]发明人	JANSSEN ESTHER A W G DIRKZWAGER MAARTEN ZUIDEMA HANS VAN VEENEN EDUARD NISATO GIOVANNI MUTSAERS CORNELIS A H A BUIJK OSCAR J A BOUTEN PETRUS C P		
发明人	JANSSEN, ESTHER, A., W., G. DIRKZWAGER, MAARTEN ZUIDEMA, HANS VAN VEENEN, EDUARD NISATO, GIOVANNI MUTSAERS, CORNELIS, A., H., A. BUIJK, OSCAR, J., A. BOUTEN, PETRUS, C., P.		
IPC分类号	H01L51/10 H01L51/52		
CPC分类号	H01L51/5246 H01L2251/5338 H01L2251/55		
代理机构(译)	TOL , ARIE JAN WILLEM		
优先权	2003101754 2003-06-16 EP		
外部链接	Espacenet		

摘要(译)

提供了用于柔性有机发光显示器的改进的密封。出于本发明的目的，实际上均匀的密封不能提供所需的耐用性和所需的不渗透性的组合，这对于显示器的寿命是必不可少的。因此，提出了一种包括内密封部分和外密封部分的密封件。与内密封部分相比，外密封部分是柔性的，并且内密封部分与外密封部分相比是不可渗透的并且沉积在外密封部分和显示元件之间。