

(19) World Intellectual Property Organization
International Bureau



(43) International Publication Date
29 December 2004 (29.12.2004)

PCT

(10) International Publication Number
WO 2004/114273 A1

- (51) International Patent Classification⁷: G09G 3/32
- (21) International Application Number: PCT/IB2004/002057
- (22) International Filing Date: 18 June 2004 (18.06.2004)
- (25) Filing Language: English
- (26) Publication Language: English
- (30) Priority Data: 0314895.4 26 June 2003 (26.06.2003) GB
- (71) Applicant (for all designated States except US): KONINKLIJKE PHILIPS ELECTRONICS N.V. [NL/NL]; Groenewoudseweg 1, NL-5621 BA Eindhoven (NL).
- (72) Inventors; and
- (75) Inventors/Applicants (for US only): FISH, David, A. [GB/GB]; c/o Philips Intellectual Property & Standards, Cross Oak Lane, Redhill Surrey RH1 5HA (GB). HUGHES, John, R. [GB/GB]; c/o Philips Intellectual Property & Standards, Cross Oak Lane, Redhill Surrey RH1 5HA (GB). DEANE, Steven, C. [GB/GB]; c/o Philips Intellectual Property & Standards, Cross Oak Lane, Redhill Surrey RH1 5HA (GB).
- (74) Agent: WILLIAMSON, Paul, L.; c/o Philips Intellectual Property & Standards, Cross Oak Lane, Redhill Surrey RH1 5HA (GB).

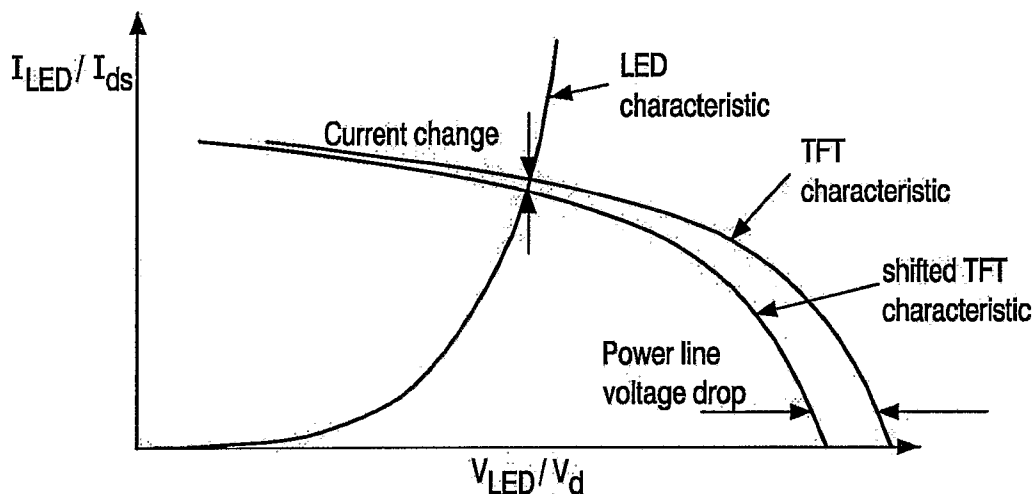
- (81) Designated States (unless otherwise indicated, for every kind of national protection available): AE, AG, AL, AM, AT, AU, AZ, BA, BB, BG, BR, BW, BY, BZ, CA, CH, CN, CO, CR, CU, CZ, DE, DK, DM, DZ, EC, EE, EG, ES, FI, GB, GD, GE, GH, GM, HR, HU, ID, IL, IN, IS, JP, KE, KG, KP, KR, KZ, LC, LK, LR, LS, LT, LU, LV, MA, MD, MG, MK, MN, MW, MX, MZ, NA, NI, NO, NZ, OM, PG, PH, PL, PT, RO, RU, SC, SD, SE, SG, SK, SL, SY, TJ, TM, TN, TR, TT, TZ, UA, UG, US, UZ, VC, VN, YU, ZA, ZM, ZW.
- (84) Designated States (unless otherwise indicated, for every kind of regional protection available): ARIPO (BW, GH, GM, KE, LS, MW, MZ, NA, SD, SL, SZ, TZ, UG, ZM, ZW), Eurasian (AM, AZ, BY, KG, KZ, MD, RU, TJ, TM), European (AT, BE, BG, CH, CY, CZ, DE, DK, EE, ES, FI, FR, GB, GR, HU, IE, IT, LU, MC, NL, PL, PT, RO, SE, SI, SK, TR), OAPI (BF, BJ, CF, CG, CI, CM, GA, GN, GQ, GW, ML, MR, NE, SN, TD, TG).

Declaration under Rule 4.17:

— as to applicant's entitlement to apply for and be granted a patent (Rule 4.17(ii)) for the following designations AE, AG, AL, AM, AT, AU, AZ, BA, BB, BG, BR, BW, BY, BZ, CA, CH, CN, CO, CR, CU, CZ, DE, DK, DM, DZ, EC, EE, EG, ES, FI, GB, GD, GE, GH, GM, HR, HU, ID, IL, IN, IS, JP, KE, KG, KP, KR, KZ, LC, LK, LR, LS, LT, LU, LV, MA, MD, MG, MK, MN, MW, MX, MZ, NA, NI, NO, NZ, OM,

[Continued on next page]

(54) Title: LIGHT EMITTING DISPLAY DEVICES



(57) Abstract: A method is provided of determining the pixel drive signals to be applied to the pixels of an array of light emitting display elements arranged in rows and columns, with a plurality of the pixels in a row being supplied with current simultaneously along a respective row conductor. Target pixel drive currents are determined from a model of the pixel current-brightness characteristics. These are modified to take account of the voltage on the respective row conductor at each pixel resulting from the currents drawn from the row conductor by the plurality of pixels and the dependency of the pixel brightness characteristics on the voltage on the row conductor at the pixel. This addresses the problem of horizontal cross-talk that occurs in active matrix LED displays due to the finite output impedance of the current providing TFTs as well as the finite resistance of metals used to form power supply lines.

WO 2004/114273 A1



PG, PH, PL, PT, RO, RU, SC, SD, SE, SG, SK, SL, SY, TJ, TM, TN, TR, TT, TZ, UA, UG, UZ, VC, VN, YU, ZA, ZM, ZW, ARIPO patent (BW, GH, GM, KE, LS, MW, MZ, NA, SD, SL, SZ, TZ, UG, ZM, ZW), Eurasian patent (AM, AZ, BY, KG, KZ, MD, RU, TJ, TM), European patent (AT, BE, BG, CH, CY, CZ, DE, DK, EE, ES, FI, FR, GB, GR, HU, IE, IT, LU, MC, NL, PL, PT, RO, SE, SI, SK, TR), OAPI patent (BF, BJ, CF, CG, CI, CM, GA, GN, GQ, GW, ML, MR, NE, SN, TD, TG)

Published:

— with international search report

For two-letter codes and other abbreviations, refer to the "Guidance Notes on Codes and Abbreviations" appearing at the beginning of each regular issue of the PCT Gazette.

DESCRIPTION

LIGHT EMITTING DISPLAY DEVICES

This invention relates to light emitting display devices, for example
5 electroluminescent displays, particularly active matrix display devices having
thin film switching transistors associated with each pixel.

Matrix display devices employing electroluminescent, light-emitting,
display elements are well known. The display elements may comprise organic
10 thin film electroluminescent elements, for example using polymer materials, or
else light emitting diodes (LEDs) using traditional III-V semiconductor
compounds. Recent developments in organic electroluminescent materials,
particularly polymer materials, have demonstrated their ability to be used
practically for video display devices. These materials typically comprise one or
15 more layers of a semiconducting conjugated polymer sandwiched between a
pair of electrodes, one of which is transparent and the other of which is of a
material suitable for injecting holes or electrons into the polymer layer.

The polymer material can be fabricated using a CVD process, or simply
by a spin coating technique using a solution of a soluble conjugated polymer.
20 Ink-jet printing may also be used. Organic electroluminescent materials exhibit
diode-like I-V properties, so that they are capable of providing both a display
function and a switching function, and can therefore be used in passive type
displays. Alternatively, these materials may be used for active matrix display
devices, with each pixel comprising a display element and a switching device
25 for controlling the current through the display element.

Display devices of this type have current-driven display elements, so
that a conventional, analogue drive scheme involves supplying a controllable
current to the display element. It is known to provide a current source
transistor as part of the pixel configuration, with the gate voltage supplied to
30 the current source transistor determining the current through the display
element. A storage capacitor holds the gate voltage after the addressing
phase.

Figure 1 shows a known pixel circuit for an active matrix addressed electroluminescent display device. The display device comprises a panel having a row and column matrix array of regularly-spaced pixels, denoted by the blocks 1 and comprising electroluminescent display elements 2 together with associated switching means, located at the intersections between crossing sets of row (selection) and column (data) address conductors 4 and 6. Only a few pixels are shown in the Figure for simplicity. In practice, there may be several hundred rows and columns of pixels. The pixels 1 are addressed via the sets of row and column address conductors by a peripheral drive circuit comprising a row, scanning, driver circuit 8 and a column, data, driver circuit 9 connected to the ends of the respective sets of conductors.

The electroluminescent display element 2 comprises an organic light emitting diode, represented here as a diode element (LED) and comprising a pair of electrodes between which one or more active layers of organic electroluminescent material is sandwiched. The display elements of the array are carried together with the associated active matrix circuitry on one side of an insulating support. Either the cathodes or the anodes of the display elements are formed of transparent conductive material. The support is of transparent material such as glass and the electrodes of the display elements 2 closest to the substrate may consist of a transparent conductive material such as ITO so that light generated by the electroluminescent layer is transmitted through these electrodes and the support so as to be visible to a viewer at the other side of the support.

Figure 2 shows in simplified schematic form a known pixel and drive circuitry arrangement for providing voltage-programmed operation. Each pixel 1 comprises the EL display element 2 and associated driver circuitry. The driver circuitry has an address transistor 16 which is turned on by a row address pulse on the row conductor 4. When the address transistor 16 is turned on, a voltage on the column conductor 6 can pass to the remainder of the pixel. In particular, the address transistor 16 supplies the column conductor voltage to a current source 20, which comprises a drive transistor 22 and a storage capacitor 24. The column voltage is provided to the gate of the

drive transistor 22, and the gate is held at this voltage by the storage capacitor 24 even after the row address pulse has ended. The drive transistor 22 draws a current from the power supply line 26.

The drive transistor 22 in this circuit is implemented as a p-type TFT, so that the storage capacitor 24 holds the gate-source voltage fixed. This results in a fixed source-drain current through the transistor, which therefore provides the desired current source operation of the pixel.

The above basic pixel circuit is a voltage-programmed pixel, and there are also current – programmed pixels which sample a drive current. However, all pixel configurations require current to be supplied to each pixel.

One problem with LED displays arises from the significant currents drawn by the pixels. The displays are typically backward-emitting, through the substrate carrying the active matrix circuitry. This is the preferred arrangement because the desired cathode material of the EL display element is opaque, so that the emission is from the anode side of the EL diode, and furthermore it is not desirable to place this preferred cathode material against the active matrix circuitry. Metal row conductors are formed to define power supply lines, and for these backward emitting displays they need to occupy the space between display areas, as they are opaque. For example, in a 12.5cm (diagonal) display, which is suitable for portable products, the row conductor may be approximately 11cm long and 20 μ m wide. For a typical metal sheet resistance of 0.2 Ω /square, this gives a line resistance for a metal row conductor of 1.1k Ω . A bright pixel may draw around 8 μ A, and the current drawn is distributed along the row. The significant row conductor resistance gives rise to voltage drops along the row conductors, and these voltage variations along the power supply line alter the gate-source voltage on the drive transistors, and thereby affect the brightness of the display. Furthermore, as the currents drawn by the pixels in the row are image-dependent, it is considered difficult to correct the pixel drive levels by data correction techniques, and the distortion is essentially a cross talk between pixels in different columns.

The voltage drops can be reduced by a factor of 4 by drawing current from both ends of the row, and improvements in efficiency of the EL materials

can also reduce the current drawn. Nevertheless significant voltage drops are still present. These voltage drops also give rise to performance limitations in current mirror pixel circuits (in which the pixel is current - addressed rather than voltage – addressed). In addition, thin film transistors are inherently non-ideal current source devices, as the output current will in fact depend on both the source and drain voltages rather than only on the gate-source voltage. Thus the output impedance of the TFT used as a current source will also create horizontal cross talk.

Voltage drops along the row conductor not only affect the gate-source voltage for a given applied gate voltage (because the source is connected to the row conductor) but also mean that the drain-source voltage of the current-providing TFT will be reduced. The finite output impedance of the current-providing TFT then results in a reduction in its current. This change in current will again depend upon the current been drawn from all of the other pixels in the row, the TFT output impedance for the particular operating conditions, and the OLED I - V characteristic. In particular, the consequent changes in the anode voltage of the OLED display element will alter the brightness output of the display element for a given current.

Signal processing schemes have been suggested for overcoming horizontal cross-talk that occurs through a data voltage error caused by power line voltage drops. Such schemes are not suitable for the correction of horizontal cross-talk caused by the in-pixel current source TFT output impedance. Instead, they simply return the gate-source voltage to the originally intended value, without compensating for the other changes in the current and voltage operating points within the pixel.

According to the invention, there is provided a method of determining the pixel drive signals to be applied to the pixels of an array of light emitting display elements arranged in rows and columns, with a plurality of the pixels in a row being supplied with current simultaneously along a respective row conductor, the method comprising:

determining target pixel drive currents corresponding to desired pixel brightness levels based on a model of the pixel current-brightness characteristics;

modifying the target pixel drive currents to take account of:

5 the voltage on the respective row conductor at each pixel resulting from the currents drawn from the row conductor by the plurality of pixels; and

the dependency of the pixel brightness characteristics on the voltage on the row conductor at the pixel; and

10 determining the pixel drive signals from the modified target pixel drive currents.

By taking into account the dependency of the pixel brightness characteristics on the voltage on the row conductor at the pixel, the invention addresses the problem of horizontal cross-talk that occurs in active matrix LED displays due to the finite output impedance of the current providing TFTs as well as the finite resistance of metals used to form power supply lines. The invention provides a signal processing scheme for correction of the cross-talk. The model used to form the target drive currents can assume a constant row voltage on the row conductor, and is thus a constant model for all pixels and independent of the pixel drive signals applied to other pixels.

20 The compensation for the dependency of the pixel brightness characteristics on the voltage on the row conductor at the pixel takes into account not only the effective change in the pixel drive signal (for example the change in gate-source voltage for the drive transistor in the pixel configuration of Figure 2) but also the change in the operating point of the pixel components (for example the drain voltage of the drive transistor in the pixel configuration of Figure 2).

The technique of the invention is applicable to amorphous silicon and polysilicon technologies for any array that uses power lines which supply current to rows of current-drawing pixels. It should be noted that the terms "row" and "column" used herein are somewhat arbitrary, and these terms are

merely intended to denote an array of device elements arranged in an orthogonal matrix.

Each pixel may comprise a drive transistor and a light emitting display element in series between the row conductor and a common line (for example ground). Taking account of the dependency of the pixel brightness characteristics on the voltage on the row conductor at the pixel then includes taking account of any change in drain-source voltage and the gate-source voltage of the drive transistor resulting from the row conductor voltage.

Each pixel is preferably programmed in a first phase and driven in a second phase, and wherein the step of modifying the target pixel drive currents further takes account of any differences in the current drawn by the pixels between the first and second phases. In particular, some pixel drive schemes involve supplying more or less current in the programming phase than during driving of the pixel. By taking this into account, correct compensation can be provided for any pixel drive scheme.

The step of modifying the target pixel drive currents may comprise:

applying an algorithm to the target pixel drive currents which represents the relationship between the currents drawn by the pixels in a row and the voltages on the row conductor at the locations of the pixels; and

scaling the resulting values using a value representing the dependency of the pixel brightness characteristics on the voltage on the row conductor.

Thus, separate processing is required to compensate for the row voltage changes and for the effect of the change in the operating point of the pixel on the output brightness.

For example, applying an algorithm may comprise multiplying a vector of the target pixel drive currents for a row of pixels by the inversion of the matrix **M**, in which:

$$\mathbf{M} = \begin{bmatrix} -2 & 1 & & & \\ 1 & -2 & 1 & & \\ & \ddots & \ddots & \ddots & \\ & & 1 & -2 & 1 \\ & & & 1 & -2 \end{bmatrix},$$

and wherein the number of rows and columns of matrix **M** is equal to the number of pixels in the row.

5 When each pixel comprises a current source circuit which converts an input voltage to a current using a drive transistor, the scaling may comprise using a value including terms derived from:

the voltage-current characteristics of the drive transistor; and

the voltage-current characteristics of the light emitting display element.

10 The scaling also including a term derived from the resistance of the row conductor.

In one example, the scaling comprises using a value $(1-\alpha)R\lambda/(1+\lambda/\mu)$, where

R is the resistance of the row conductor between adjacent pixels;

15 λ is the slope of the drain-source current vs. drain-source voltage curve of the drive transistor;

μ is the slope of the current vs. voltage curve of the display element;

and

20 α is the ratio of the current drawn by a pixel during a pixel programming phase to the current drawn by the pixel during display.

In order to reduce the computational overhead, the result of multiplying a vector of the target pixel drive currents for a row of pixels by the inversion of the matrix **M** can be obtained by a recursive operation:

$$F(n) = F(n-1) + \sum_{j=0}^{n-1} I(j) + F(0),$$

25 in which:

F(n) is the nth term of a the vector result of multiplying the vector of the target pixel drive currents for a row of pixels by the inversion of the matrix **M**, F(0) being the first term; and

$I(j)$ is the target current for the jth pixel in a row, the first pixel being j=0.

In this recursive model:

$$F(0) = \frac{1}{N+1} \sum_{j=0}^{N-1} (N-j)I(j),$$

in which:

N is the total number pixels in the row.

10

The values representing the dependency of the pixel brightness characteristics on the voltage on the row conductor used for scaling are stored in a look up table, having current values as an input parameter. These look up table parameters can be updated over time to enable changes in pixel brightness characteristics over time to be modeled.

15

The method of the invention can be used for driving an active matrix array of current-addressed light emitting display elements arranged in rows and columns, in which each row of pixels is addressed in a sequence.

The invention also provides a display device comprising an active matrix array of current-addressed light emitting display elements arranged in rows and columns, comprising:

20

compensation circuitry for modifying the target pixel drive currents to take account of the voltage on the respective row conductor at each pixel resulting from the currents drawn from the row conductor by the plurality of pixels and the dependency of the pixel brightness characteristics on the voltage on the row conductor at the pixel, the compensation circuitry comprising:

25

means for applying an algorithm to the target pixel drive currents which represents the relationship between the currents drawn by the pixels in a row and the voltages on the row conductor at the locations of the pixels; and

30

means for scaling the resulting values using a value representing the dependency of the pixel brightness characteristics on the voltage on the row conductor.

5 Examples of the invention will now be described in detail with reference to the accompanying drawings, in which:

Figure 1 shows a conventional active matrix LED display;

Figure 2 shows a conventional pixel layout for the display of Figure 1;

10 Figure 3 is an equivalent circuit used to derive the relationship between pixel currents and voltages on the row conductor;

Figure 4 is an equivalent circuit used to derive the inverse relationship to that investigated with Figure 3;

Figure 5 is used to investigate the pixel output characteristics in response to changes in the row voltage;

15 Figure 6 shows a part of Figure 5 in greater detail;

Figure 7 shows, using graphs, the improvement obtained by the method of the invention;

Figure 8 shows, using images, the improvement obtained by the method of the invention;

20 Figure 9 shows circuitry for implementing part of the method of the invention;

Figure 10 shows circuitry for implementing another part of the method of the invention; and

25 Figure 11 shows dummy pixel circuits for use in a display of the invention.

The invention provides a scheme for determining the pixel drive signals to be applied to the pixels of an array of light emitting display elements. A set of standard pixel drive currents, corresponding to desired pixel brightness levels, are modified to take account of both the voltage variations on the row conductor as well as the dependency of the pixel brightness characteristics on the voltage on the row conductor.

30

In order to derive an algorithm for the correction of the horizontal cross-talk, the following steps are taken:

a general expression for voltage drops on the power line is obtained, for any combination of currents drawn by the pixels on a line;

5 the current change resulting from the power line voltage drops and the output impedance of the in-pixel current source TFT is then determined; and

a correction scheme for the data is derived to compensate for horizontal cross talk.

10 The analysis below assumes that the power line is driven from both ends. However, it will be appreciated that the analysis can however be performed for a row conductor driven at one end.

In the this analysis, the power line can be assumed to comprise a row that has voltage sources at both ends of the row to supply current to every pixel in the row. Initially, it can be assumed that every pixel contains a perfect
15 current source drawing current from the power line and providing it to the OLED. The equivalent circuit for the model is shown in Figure 3.

The following expression can be derived for the current to the pixel at node n in terms of the voltages on the power line at node $n-1, n$ and $n+1$. The
20 resistance of the power line between nodes is R .

$$\begin{aligned} I(n) &= \frac{1}{R}(V(n-1) - V(n)) + \frac{1}{R}(V(n+1) - V(n)) \\ &= \frac{1}{R}(V(n-1) - 2V(n) + V(n+1)) \end{aligned} \quad (1)$$

The current $I(n)$ is known as this has been programmed into the pixel current source so the need is to solve (1) for the voltage $V(n)$ to calculate the power line voltage drops. Writing out all the terms:

25

$$\begin{aligned} I(0)R &= V_L - 2V(0) + V(1) \\ I(1)R &= V(0) - 2V(1) + V(2) \\ &\vdots \\ I(N-1)R &= V(N-2) - 2V(N-1) + V_R \end{aligned}$$

Where V_L and V_R are the voltage sources at either end of the power line. Then in matrix form:

$$RI = M.V + V_b \tag{2}$$

where

$$5 \quad \mathbf{I} = \begin{bmatrix} I(0) \\ I(1) \\ \vdots \\ I(N-2) \\ I(N-1) \end{bmatrix}, \quad \mathbf{V} = \begin{bmatrix} V(0) \\ V(1) \\ \vdots \\ V(N-2) \\ V(N-1) \end{bmatrix}, \quad \mathbf{V}_b = \begin{bmatrix} V_L \\ 0 \\ \vdots \\ 0 \\ V_R \end{bmatrix}$$

and

$$\mathbf{M} = \begin{bmatrix} -2 & 1 & & & & \\ 1 & -2 & 1 & & & \\ & \ddots & \ddots & \ddots & & \\ & & & 1 & -2 & 1 \\ & & & & 1 & -2 \end{bmatrix}$$

The voltages on the power supply line are found by inverting equation (2) i.e.

$$10 \quad \mathbf{V} = \mathbf{M}^{-1}(RI - \mathbf{V}_b) \tag{3}$$

For a given size matrix \mathbf{M} , the inverse can be obtained simply by standard mathematical techniques. In particular, the matrix \mathbf{M} is a tridiagonal matrix symmetrical matrix, and the inverse is easily obtained. To obtain a general inverse for all possible matrix dimensions, it is possible to look at the voltages and currents in the power supply line a little differently. Figure 4 is essentially the same as Figure 3 but it shows the currents supplied by the voltage sources at either end of the power rail I_{in} and I_{out} .

The voltages at the nodes 0,1,2..n can now be written in the following way

20 way

$$\begin{aligned}
 V(0) &= V_L - RI_{in} \\
 V(1) &= V_L - RI_{in} - R(I_{in} - I_0) \\
 V(2) &= V_L - RI_{in} - R(I_{in} - I_0) - R(I_{in} - I_0 - I_1) \\
 &\vdots \\
 V(n) &= V_L - R(n+1)I_{in} + R \sum_{j=0}^{n-1} (n-j)I(j) \\
 &\vdots \\
 V(N-1) &= V_L - RN I_{in} + R \sum_{j=0}^{N-2} (N-1-j)I(j)
 \end{aligned} \tag{3a}$$

In order to eliminate I_{in} from the above system of equations, the following relations are used:

$$\begin{aligned}
 V(N-1) &= V_R + RI_{out} \\
 I_{out} &= I_{in} + \sum_{j=0}^{N-1} I_j
 \end{aligned} \tag{3b}$$

5 Using equations (3b) in (3a) at node N-1 an expression for I_{in} is obtained:

$$I_{in} = \frac{1}{N+1} \left(\frac{V_L - V_R}{R} + \sum_{j=0}^{N-1} (N-j)I(j) \right) \tag{3c}$$

Then using equation (3c) in equation (A1) at node n:

$$V(n) = \left(V_L \frac{N-n}{N+1} - V_R \frac{n+1}{N+1} \right) + R \left(\sum_{j=0}^{n-1} (n-j)I(j) - \frac{n+1}{N+1} \sum_{j=0}^{N-1} (N-j)I(j) \right) \tag{3d}$$

10

From equation (3d) the following vector matrix equation is obtained:

$$\mathbf{V} = \mathbf{M}^{-1}(\mathbf{R}\mathbf{I} - \mathbf{V}_b) \tag{3e}$$

where

$$\mathbf{I} = \begin{bmatrix} I(0) \\ I(1) \\ \vdots \\ I(N-2) \\ I(N-1) \end{bmatrix}, \quad \mathbf{V} = \begin{bmatrix} V(0) \\ V(1) \\ \vdots \\ V(N-2) \\ V(N-1) \end{bmatrix}, \quad \mathbf{V}_b = \begin{bmatrix} V_L \\ 0 \\ \vdots \\ 0 \\ V_R \end{bmatrix}$$

15

and

$$\mathbf{M}^{-1} = -\frac{1}{N+1} \begin{bmatrix} N & (N-1) & (N-2) & \cdots & 3 & 2 & 1 \\ (N-1) & 2(N-1) & 2(N-2) & & 6 & 4 & 2 \\ (N-2) & 2(N-2) & 3(N-2) & & 9 & 6 & 3 \\ \vdots & & & \ddots & & & \vdots \\ 3 & 6 & 9 & & 3(N-2) & 2(N-2) & (N-2) \\ 2 & 4 & 6 & & 2(N-2) & 2(N-1) & (N-1) \\ 1 & 2 & 3 & \cdots & (N-2) & (N-1) & N \end{bmatrix}$$

It is also useful to derive the result of the inverse matrix \mathbf{M}^{-1} operating
 5 on vector \mathbf{I} to give the resultant vector \mathbf{F} . The elements of vector \mathbf{F} are given
 by:

$$\begin{aligned} F(n) &= \sum_{j=0}^{N-1} M^{-1}(n, j) I(j) \\ &= \sum_{j=0}^{n-1} (n-j) I(j) - \frac{n+1}{N+1} \sum_{j=0}^{N-1} (N-j) I(j) \end{aligned} \quad (4)$$

Computing the result of \mathbf{M}^{-1} on vector \mathbf{V}_b gives the result

10

$$\sum_{j=0}^{N-1} M^{-1}(n, j) V_b(j) = \frac{1}{N+1} \{ (N-n) V_L + (n+1) V_R \} \quad (5)$$

which simplifies to V_P when $V_L = V_R = V_P$.

15 Equation (3) is the required general expression for the power line
 voltage drops.

When a row of pixels is addressed a certain current will flow down the
 power line. After addressing a different current will flow due to the operation of
 the pixel circuits.

20 Different pixel circuits operate in different ways, as will be apparent to
 those skilled in the art.

By way of example, some pixel circuits carry out a threshold voltage
 measurement operation so that compensation can be carried out for ageing of

the drive transistor. Such a circuit will have no current flowing on the power line whilst the data voltage is added i.e. no power line voltage drops. After this period, the programmed current will flow so there will be voltage drops on the power line which will cause cross-talk.

5 Another example is the matched current mirror circuit. In this case, two times the OLED current flows in the address period, after addressing only the OLED current flows, so the changes in current will cause cross-talk because the voltage changes on the power line will cause current changes in the pixel.

To find an expression for the pixel current changes due to the power
10 line voltage drops and the output impedance of the in-pixel current providing TFT we use a simple diagrammatic approach.

Figure 5 shows the TFT and LED characteristics. The TFT characteristic curve plots the drain source current (I_{ds}) against the drain voltage (V_d) for a constant gate-source voltage. When the drain voltage
15 reaches the row voltage, the drain-source voltage reaches zero. Thus, increasing voltage in the graph of Figure 5 corresponds to decreasing drain-source voltage, and the drain-source voltage is zero at the point where the curve crosses the x-axis. This point on the x-axis corresponds to the power line row voltage.

20 The shift in the TFT characteristics is the result of the change in the power line voltage, assuming the gate-source voltage remains constant.

The LED characteristic curve is a load line plot of the LED and shows the anode voltage of the LED display element for a given current.

Where the TFT characteristic curve crosses the LED characteristic
25 curve, the drain/anode voltage is defined and the current flowing. As the TFT has a non-infinite output impedance when in saturation, movements in the power supply voltage shift the TFT characteristic to give different output currents, even for a constant gate-source voltage. Thus, the power line voltage change cannot be corrected simply by a corresponding change in the
30 gate voltage in order to return the gate-source voltage to the same value.

The region of current change shown in Figure 5 can be examined more closely in order to determine the change in anode/drain voltage and the change in current. This is shown in Figure 6.

An examination of the geometry in Figure 6 shows us that the current
5 change is given by:

$$\Delta I = \frac{dI_{TFT}}{dV} \Delta V - \frac{dI_{TFT}}{dV} \Delta V_a \quad (6)$$

where ΔV_a is the change in LED anode voltage shown in figure 3, and
10 the differential is simply the gradient of the TFT characteristic $\lambda(I)$. The LED characteristic is given by $I_{LED} = f(V_a)$ so we find ΔV_a by differentiating the LED characteristic i.e.

$$\Delta I = \frac{df}{dV} \Delta V_a = \mu(I) \Delta V_a \quad (7)$$

15

using equations (6) and (7):

$$\Delta I = \frac{\lambda(I)}{\left(1 + \frac{\lambda(I)}{\mu(I)}\right)} \Delta V \quad (8)$$

20 If the initial voltages on the power line are caused by addressing currents αI we have voltage drops in the addressing period of

$$V_i = \mathbf{M}^{-1}(\alpha R \mathbf{I} - V_b)$$

25 then after addressing we have currents I then the power line voltage drops become

$$\mathbf{V}_f = \mathbf{M}^{-1}(\mathbf{R}\mathbf{I} - \mathbf{V}_b)$$

therefore the difference in power line voltages are

$$\Delta\mathbf{V} = (1 - \alpha)\mathbf{R}\mathbf{M}^{-1}\mathbf{I}$$

5

Example values for α are zero for modified current source and voltage threshold measurement circuits, 1 for switched current mirrors (i.e. no cross-talk, but these pixel circuits are unsuitable for large displays), and greater than or equal to two for matched current mirror circuits. The greater than two case will occur if the matched TFT is wider than the driving TFT.

10

The initial currents \mathbf{I}_0 on the row (after addressing) will cause a voltage drop of $\Delta\mathbf{V}$ which in turn will cause \mathbf{I}_0 to change to \mathbf{I}_1 which will change the voltage drops which will change the current and so on. It is expected that λ will be very small so a first order approximation is sufficient i.e.

15

$$\mathbf{I}_1 = \mathbf{I}_0 + \frac{\lambda(\mathbf{I}_0)}{\left(1 + \frac{\lambda(\mathbf{I}_0)}{\mu(\mathbf{I}_0)}\right)} (1 - \alpha)\mathbf{R}\mathbf{M}^{-1}\mathbf{I}_0 \quad (9)$$

The term

20

$$\mathbf{D} = \frac{\lambda(\mathbf{I}_0)}{\left(1 + \frac{\lambda(\mathbf{I}_0)}{\mu(\mathbf{I}_0)}\right)}$$

is a diagonal matrix.

25

To perform a correction of the current error we need to perform the inverse problem, in order to determine what set of data currents \mathbf{I}_0 will lead to the desired currents \mathbf{I}_1 after power line voltage drops occur. To solve this problem equation (9) is solved for \mathbf{I}_0 . As the problem stands this is extremely difficult because μ and λ depend upon \mathbf{I}_0 , so as a further approximation it can

be assumed that μ and λ depend upon the known current I_1 . This will be a good approximation if the current changes between I_1 and I_0 are small. The solution of equation (9) is then:

$$\begin{aligned}
 \mathbf{I}_0 &= \left(\mathbf{1} + \frac{\lambda(\mathbf{I}_1)}{\left(1 + \frac{\lambda(\mathbf{I}_1)}{\mu(\mathbf{I}_1)}\right)} (1-\alpha)R\mathbf{M}^{-1} \right)^{-1} \mathbf{I}_1 \\
 &\approx \mathbf{I}_1 - \frac{\lambda(\mathbf{I}_1)}{\left(1 + \frac{\lambda(\mathbf{I}_1)}{\mu(\mathbf{I}_1)}\right)} (1-\alpha)R\mathbf{M}^{-1}\mathbf{I}_1
 \end{aligned}
 \tag{10}$$

5

Equation (10) represents the solution to horizontal cross-talk due to TFT impedance and power line voltage drops. An algorithm for calculating the adjustment in current required to correct for horizontal cross-talk requires two steps:

10

Step 1: Given current data for a row I_1 calculate $\mathbf{M}^{-1} I_1$.

Step 2: Store the data dependent values $(1-\alpha)R\lambda/(1+\lambda/\mu)$ in a Look-Up-Table (LUT) and multiply the output with the result of step 1 and then subtract the result from the initial data.

15

The algorithm could be iterated to improve the estimate of the corrected current by passing the result of step 2 back into step 1 and circulating through the steps until the desired correction is achieved, however it has been found that one pass is sufficient.

20

Figure 7 shows the effect of the correction algorithm. Plot 40 shows the calculated pixel current ($I(n)$) versus pixel position (n) when no correction has been applied and for a uniformly addressed bright image. There is a significant drop in pixel current in the middle of the display due to the combined effects of power line and pixel current source impedance.

25

Since light emission is almost proportional to current there is a similar drop in luminance. Plot 42 shows the calculated pixel current when the addressed current levels have been pre-adjusting according to a single pass of

the algorithm described above. As can be seen the result is close to the horizontal straight line that is required.

Plot 44 shown in Figure 7 is the calculated pixel current when only a central block of the display is addressed with the same brightness as above and the remainder is black (zero current). In this case, the drop in pixel current in the middle of the display is less, and the change in the cross talk effect is represented by arrow 46. For some displayed images, these different levels will give rise to a sharp step change in brightness where there should be none. This sharp step is far more visible than the smooth drop in brightness of a uniform image and is what is noticed when cross-talk is present.

Plot 48 shows the result of pre-adjusting the addressed current levels according to a single pass of the algorithm of the invention. The actual pixel currents in the centre of the display for both corrected images are now very similar such that no cross-talk would be visible. These results demonstrate the effectiveness of the proposed algorithm.

Figure 8 shows these cross talk effects using images. The image on the left is the desired image, and the image on the right shows how this may appear as a result of cross talk. The visible step in brightness 50 is the result of the effect explained with reference to arrow 46 in Figure 7. The top half of the image is the uniform bright image and the bottom half of the image is the step image described with reference to Figure 7.

For completeness, the parameters used in above example are as follows:

	Monochrome	
25	Maximum luminance	250 Cd/m ²
	Efficiency	5.3 Cd/A
	Aperture	50%
	Duty cycle	50%
	Pixel pitch	144 μm
30	TFT width	25 μm
	No. pixels in row (N)	768
	Line resistance per pixel (R)	7.2 Ω

Maximum pixel current (I(n)max) 3.9 μ A

Power supply voltage (Vp) 15 V

The method of the invention can be implemented in an IC that operates upon the digital data stream. The top-level blocks required for this hardware implementation are set out below.

Step 1: Given current data for a row I_1 calculate $M^{-1} I_1$.

The implementation of $M^{-1}I$ could in general be a very computationally expensive calculation, especially for large images. Therefore a fast method of performing the calculation is essential. As seen in equation (4) the calculation of $M^{-1}I$ requires the evaluation of the sums shown below:

$$F(n) = \sum_{j=0}^{n-1} (n-j)I(j) - \frac{n+1}{N+1} \sum_{j=0}^{N-1} (N-j)I(j) \quad (11)$$

By calculating the difference of $F(n)$ and $F(n-1)$ a recursive relation for the elements $F(n)$ can be found :

$$F(n) = \sum_{j=0}^{n-1} (n-j)I(j) - \frac{n+1}{N+1} \sum_{j=0}^{N-1} (N-j)I(j)$$

$$F(n-1) = \sum_{j=0}^{n-2} (n-1-j)I(j) - \frac{n}{N+1} \sum_{j=0}^{N-1} (N-j)I(j)$$

Therefore:

$$\begin{aligned}
F(n) - F(n-1) &= \sum_{j=0}^{n-1} (n-j)I(j) - \sum_{j=0}^{n-2} (n-1-j)I(j) - \frac{1}{N+1} \sum_{j=0}^{N-1} (N-j)I(j) \\
&= I(n-1) + \sum_{j=0}^{n-2} (n-j)I(j) - \sum_{j=0}^{n-2} (n-1-j)I(j) - \frac{1}{N+1} \sum_{j=0}^{N-1} (N-j)I(j) \\
&= \sum_{j=0}^{n-1} I(j) - \frac{1}{N+1} \sum_{j=0}^{N-1} (N-j)I(j) \\
&= \sum_{j=0}^{n-1} I(j) + F(0)
\end{aligned}$$

hence the recursive relation:

$$5 \quad F(n) = F(n-1) + \sum_{j=0}^{n-1} I(j) + F(0) \quad (12)$$

where

$$F(0) = \frac{1}{N+1} \sum_{j=0}^{N-1} (N-j)I(j)$$

10

The hardware shown in Figure 9 is used to implement this calculation. In Figure 9 the data is fed to an adder 60. The second input to the adder is from a register 62 containing a running sum of the previous data values on the line. This register will be zero after each line of data. The output of the sum is
15 passed back to the register 62 and to a line store 64 that contains all of the partial data sums for that line. At the end of a line time the partial sum data is transferred in parallel to another line store 66, and this data will be used in the computation of equation (12).

20

The input data is also fed to a multiplier 70 whose second input comes from a counter 72 that counts down from N at the start of a line. The output of the multiplier is passed to an adder 74 whose second input comes from a register 76 that contains a running sum of the earlier inputs to the multiplier. This register is set to zero at the beginning of a line time. The output of the

adder 74 is fed back to the register and to another register 78 that is only updated at the end of a line time. The output of this register is multiplied by a constant factor of $-1/(N+1)$ contained in another register 80. The result is stored in another register 82 and is $F(0)$ of equation (12).

5 The partial sum data in the line store and the value for $F(0)$ stored in a register can now be used to calculate $F(n)$ of equation (12). $F(0)$ is passed to an adder 90 which is also fed with the partial sum data clocked serially out of the line store 66. These are added together with data from another register 92 containing $F(n-1)$. At the start of a line time this register will be zero. The
10 output of the sum is passed back to this register and is also the output of this computational block.

Step 2: Store the data dependent values $(1-\alpha)R\lambda/(1+\lambda/\mu)$ in a Look-Up-Table (LUT) and multiply the output with the result of step 1 and then subtract the result from the initial data.

15 The remaining parts of the algorithm can be implemented as shown in Figure 10.

 The input data passes to a look up table 100 (LUT) to find the value of $(1-\alpha)R\lambda/(1+\lambda/\mu)$ corresponding to that input data value. The output of the LUT and the input data are then delayed by a line time using a FIFO 102. The
20 output of the FIFO 102 passes to a multiplier 104 which is also fed with the $F(n)$ values that have been calculated from the input data having also been delayed by one line time by FIFO 106. The output is then passed to a subtraction unit that subtracts this calculated correction from the input data to give the output data. This data is then passes to other processing units within
25 the total video processing chain e.g. gamma correction.

 As the OLED characteristic will vary according to temperature and age it is also be possible to update the LUT of Figure 10 with new values to represent these changes. The LUT will need changing for different types of AMOLED display through parameter α e.g. modified current source, matched
30 current mirror etc. or if the row resistance R changes for different manufactures or for different TFT output impedance characteristics. Therefore the LUT will need to be accessible and updateable.

The AMOLED display is typically constructed with additional pixel circuits outside the array and which are used for testing purposes. These may take the form shown in Figure 11, and essentially model the behaviour of the drive transistor characteristics and of the row conductor resistance. These dummy pixel circuits have been proposed for use in threshold compensation schemes. The use of these dummy pixel circuits makes it possible to automatically generate and update the LUT over the lifetime of the display.

Figure 11 shows a dummy pixel 110 with an n-type transistor, a dummy pixel 112 with a p-type transistor and a resistor 114 which can be used to model the row conductor characteristics. Each circuit has terminals which allow test signals to be applied and outputs to be monitored. The PCMs shown in Figure 11 are on the glass. There will be an n-type circuit for amorphous silicon circuits and a p-type circuit for low temperature polysilicon circuits.

The TFT output impedance as a function of current can be measured by varying the gate-source voltage of the TFT and measuring the current and the drain-source voltage of the TFT from the appropriate probe points on the circuit. Then the gradient of the data will be required to give λ . The same can be achieved for the OLED to give μ . R can be determined by passing a current through a strip of metal N pixel lengths long and measuring the voltage to calculate the resistance in a pixel width strip of power line metal.

The display type will be dictate the value α . All of this information enable the LUT to be calculated and updated through the lifetime of the display. The hardware to perform the measurements is straightforward and would possibly be included within the display driver chips. These would feed back the measured data to hardware in a controller chip to calculate the LUT and fill it.

In the above pixel circuit, a voltage-addressed current source is used. The invention can be applied to current-addressed pixels also, which typically store a transistor gate voltage corresponding to a sampled address current.

Only one detailed algorithm has been given, and some assumptions have been made to simplify the implementation of the method. Other

assumptions may be made to arrive at a different algorithmic implementation, and the invention is not limited to the specific implementation described above.

The hardware example has been described as having numerous registers and logic elements. Many or all of the elements can be integrated
5 into a dedicated processor architecture, and the hardware example is only one way of implementing the correction scheme of the invention.

The above analysis assumes a desired gate-source voltage can be applied to the pixel. Thus, when the modified currents have been calculated, the required gate-source voltage for driving the pixel will then need to be
10 calculated for determining the pixel drive signals (for the pixel configuration of Figure 2). This calculation can be carried out using the basic (constant) pixel model. The gate voltage to be applied to the pixel will again take into account the voltage on the row conductor at the pixel in order to obtain the desired gate-source voltage. Thus, the step of determining the pixel drive signals from
15 the modified target pixel drive currents itself takes into account the row voltage at the pixel.

Other modifications will be apparent to those skilled in the art.

CLAIMS

1. A method of determining the pixel drive signals to be applied to the pixels of an array of light emitting display elements (2) arranged in rows and columns, with a plurality of the pixels in a row being supplied with current simultaneously along a respective row conductor (26), the method comprising:

5 determining target pixel drive currents corresponding to desired pixel brightness levels based on a model of the pixel current-brightness characteristics;

10 modifying the target pixel drive currents to take account of:

the voltage on the respective row conductor (26) at each pixel resulting from the currents drawn from the row conductor by the plurality of pixels; and

15 the dependency of the pixel brightness characteristics on the voltage on the row conductor at the pixel; and

determining the pixel drive signals from the modified target pixel drive currents.

2. A method as claimed in claim 1, wherein each pixel is programmed in a first phase and driven in a second phase, and wherein the step of modifying the target pixel drive currents further takes account of any differences in the current drawn by the pixels between the first and second phases.

25 3. A method as claimed in any preceding claim, wherein the step of modifying the target pixel drive currents comprises:

applying an algorithm to the target pixel drive currents which represents the relationship between the currents drawn by the pixels in a row and the voltages on the row conductor at the locations of the pixels; and

30 scaling the resulting values using a value representing the dependency of the pixel brightness characteristics on the voltage on the row conductor.

4. A method as claimed in claim 3, wherein applying an algorithm comprises multiplying a vector of the target pixel drive currents for a row of pixels by the inversion of the matrix **M**, in which:

$$\mathbf{M} = \begin{bmatrix} -2 & 1 & & & \\ 1 & -2 & 1 & & \\ & \ddots & \ddots & \ddots & \\ & & 1 & -2 & 1 \\ & & & 1 & -2 \end{bmatrix},$$

5

and wherein the number of rows and columns of matrix **M** is equal to the number of pixels in the row.

5. A method as claimed in claim 3 or 4, wherein each pixel
10 comprises a current source circuit (22,24) which converts an input voltage to a current using a drive transistor (22), and wherein the scaling comprises using a value including terms derived from:

the voltage-current characteristics of the drive transistor (22); and

the voltage-current characteristics of the light emitting display element

15 (2).

6. A method as claimed in claim 5, wherein the scaling comprises using a value further including a term derived from the resistance (R) of the row conductor.

20

7. A method as claimed in claim 6, wherein the scaling comprises using a value $(1-\alpha)R\lambda/(1+\lambda/\mu)$, where

R is the resistance of the row conductor between adjacent pixels;

25 λ is the slope of the drain-source current vs. drain-source voltage curve of the drive transistor;

μ is the slope of the current vs. voltage curve of the display element;

and

α is the ratio of the current drawn by a pixel during a pixel programming phase to the current drawn by the pixel during display.

8. A method as claimed in claim 7, wherein the value
 5 $(1-\alpha)R\lambda/(1+\lambda/\mu)$ used for scaling uses the slope of the drain-source current vs. drain-source voltage curve of the drive transistor and the slope of the current vs. voltage curve of the display element at the value of the first pixel drive current.

10 9. A method as claimed in claim 4, wherein the result of multiplying a vector of the target pixel drive currents for a row of pixels by the inversion of the matrix **M** is obtained by a recursive operation

$$F(n) = F(n-1) + \sum_{j=0}^{n-1} I(j) + F(0),$$

in which:

15 $F(n)$ is the n th term of a the vector result of multiplying the vector of the target pixel drive currents for a row of pixels by the inversion of the matrix **M**, $F(0)$ being the first term; and

$I(j)$ is the target current for the j th pixel in a row, the first pixel being $j=0$.

20

10. A method as claimed in claim 9, wherein:

$$F(0) = \frac{1}{N+1} \sum_{j=0}^{N-1} (N-j)I(j),$$

in which:

N is the total number pixels in the row.

25

11. A method as claimed in any one of claims 3 to 10, wherein the values representing the dependency of the pixel brightness characteristics on the voltage on the row conductor used for scaling are stored in a look up table (100)

30

12. A method as claimed in claim 11, wherein the look up table (100) stores the values for a range of current values.

13. A method as claimed in claim 11 or 12, wherein the values of the look up table are updated over time to enable changes in pixel brightness characteristics over time to be modeled.

14. A method as claimed in claim 13, wherein updating of the look up table values is carried out based on analysis of the characteristics of pixel compensation modules (110, 112, 114) of the display.

15. A method of driving an active matrix array of current-addressed light emitting display elements arranged in rows and columns, comprising addressing each row of pixels in a sequence, the method comprising, for each row of pixels:

determining pixel drive signals for each pixel in the row using the method of any one of the preceding claims; and

applying the pixel drive signals to the columns of the display during a pixel programming phase for the row of pixels.

20

16. A display device comprising an active matrix array of current-addressed light emitting display elements (2) arranged in rows and columns, comprising:

25 compensation circuitry for modifying the target pixel drive currents to take account of the voltage on the respective row conductor (26) at each pixel resulting from the currents drawn from the row conductor by the plurality of pixels and the dependency of the pixel brightness characteristics on the voltage on the row conductor at the pixel, the compensation circuitry comprising:

30 means (60,62,64,66,70,72,74,76,78,80,82,90,92) for applying an algorithm to the target pixel drive currents which represents the relationship

between the currents drawn by the pixels in a row and the voltages on the row conductor at the locations of the pixels; and

means (100,104) for scaling the resulting values using a value representing the dependency of the pixel brightness characteristics on the voltage on the row conductor.

17. A device as claimed in claim 16, wherein the means for applying an algorithm derives values corresponding to the multiplication of a vector of the target pixel drive currents for a row of pixels by the inversion of the matrix **M**, in which:

$$\mathbf{M} = \begin{bmatrix} -2 & 1 & & & \\ 1 & -2 & 1 & & \\ & \ddots & \ddots & \ddots & \\ & & 1 & -2 & 1 \\ & & & 1 & -2 \end{bmatrix},$$

and wherein the number of rows and columns of matrix **M** is equal to the number of pixels in the row.

15

18. A device as claimed in claim 16 or 17, wherein each pixel comprises a current source circuit (22,24) which converts an input voltage to a current using a drive transistor (22), and wherein the means for scaling uses a value including terms derived from:

the current-voltage characteristics of the drive transistor; and
the voltage-current characteristics of the light emitting display element.

19. A device as claimed in claim 18, wherein the drive transistor (22) and the light emitting display element (2) of each pixel are in series between the row conductor (26) and a common line.

25

20. A device as claimed in claim 19, wherein the voltage scaling uses a value including terms derived from the drain-source voltage vs. drain-source current characteristics of the drive transistor.

5 21. A device as claimed in any one of claims 18 to 20, wherein the means for scaling uses a value further including a term derived from the resistance (R) of the row conductor.

22. A device as claimed in claim 21, wherein the means for scaling
10 (100) uses a value $(1-\alpha)R\lambda/(1+\lambda/\mu)$, where:

R is the resistance of the row conductor between adjacent pixels;

λ is the slope of the current vs. voltage curve of the drive transistor;

μ is the slope of the current vs. voltage curve of the display element;

and

15 α is the ratio of the current drawn by a pixel during a pixel programming phase to the current drawn by the pixel during display.

23. A device as claimed in claim 17, wherein the means for applying an algorithm derives values by a recursive operation

20
$$F(n) = F(n-1) + \sum_{j=0}^{n-1} I(j) + F(0),$$

in which:

F(n) is the nth term of a the vector result of multiplying the vector of the target pixel drive currents for a row of pixels by the inversion of the matrix **M**, F(0) being the first term; and

25 $I(j)$ is the target current for the jth pixel in a row, the first pixel being j=0.

24. A device as claimed in claim 23, wherein:

$$F(0) = \frac{1}{N+1} \sum_{j=0}^{N-1} (N-j)I(j),$$

30 in which:

N is the total number pixels in the row.

25. A device as claimed in any one of claims 16 to 24, wherein the means for scaling (100) comprises a look up table.

5

26. A device as claimed in claim 25, further comprising at least one pixel compensation module (110,112,114), and further comprising means for updating the values of the look up table to enable changes in pixel brightness characteristics over time to be modeled based on analysis of the characteristics of the pixel compensation module.

10

27. Compensation circuitry for modifying target pixel drive currents for a display device which comprises an active matrix array of current-addressed light emitting display elements arranged in rows and columns having respective row and column conductors, the compensation circuitry comprising:

15

means (60,62,64,66,70,72,74,76,78,80,82,90,92) for applying an algorithm to the target pixel drive currents which represents the relationship between the currents drawn by the pixels in a row and the voltages on the row conductor at the locations of the pixels; and

20

means (100,104) for scaling the resulting values using a value representing the dependency of the pixel brightness characteristics on the voltage on the row conductor,

the scaling taking account of the voltage on the respective row conductor at each pixel resulting from the currents drawn from the row conductor by the plurality of pixels and the dependency of the pixel brightness characteristics on the voltage on the row conductor at the pixel.

25

28. Compensation circuitry as claimed in claim 27, wherein the means for applying an algorithm derives values corresponding to the multiplication of a vector of the target pixel drive currents for a row of pixels by the inversion of the matrix **M**, in which:

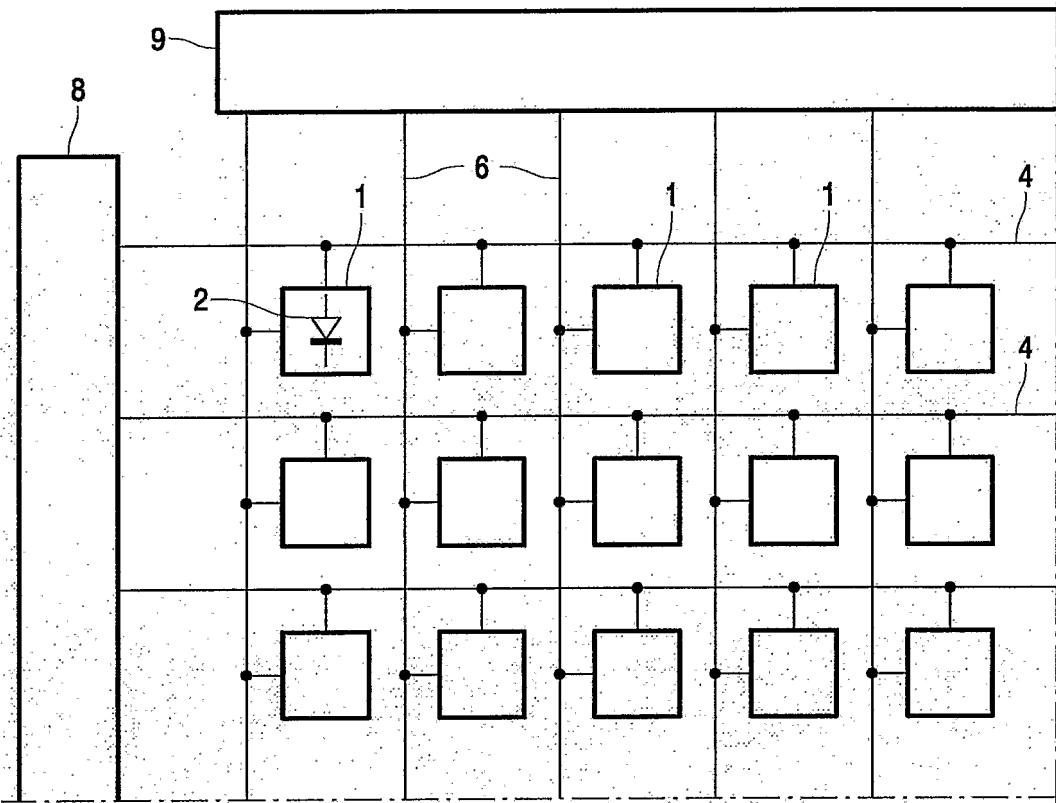
30

$$\mathbf{M} = \begin{bmatrix} -2 & 1 & & & & \\ 1 & -2 & 1 & & & \\ & \ddots & \ddots & \ddots & & \\ & & & 1 & -2 & 1 \\ & & & & 1 & -2 \end{bmatrix},$$

and wherein the number of rows and columns of matrix **M** is equal to the number of pixels in the row.

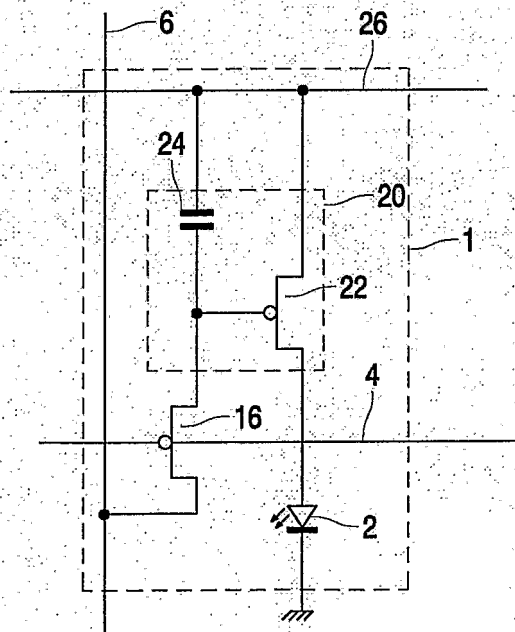
5

29. Compensation circuitry as claimed in claim 27 or 28, wherein the means for scaling comprises a look up table.



PRIOR ART

FIG. 1



PRIOR ART

FIG. 2

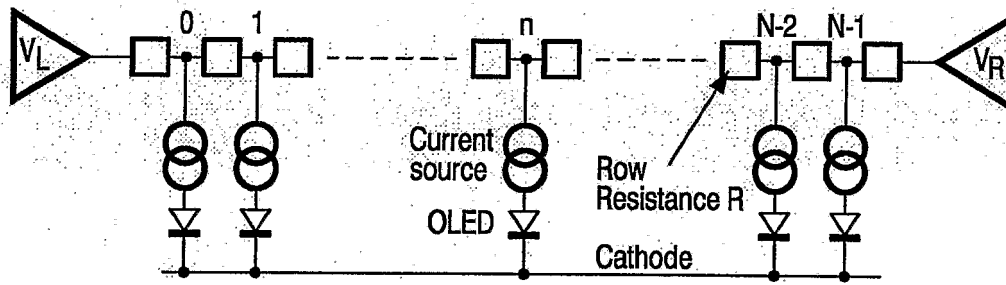


FIG.3

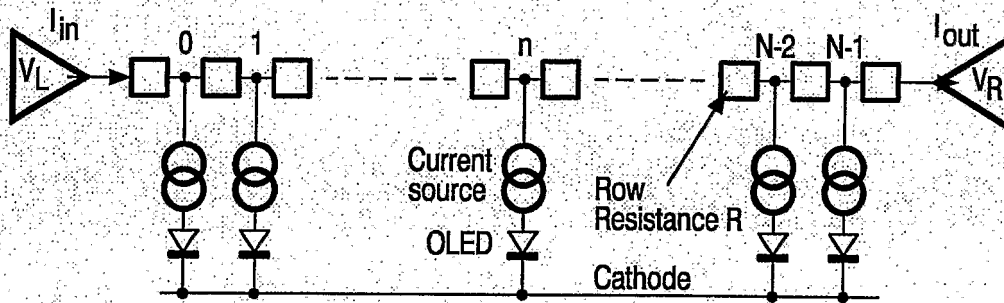


FIG.4

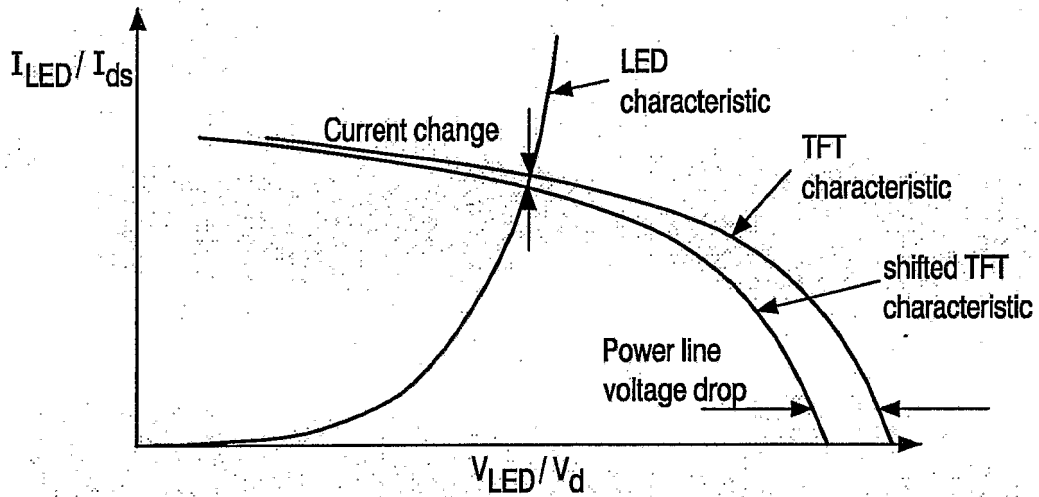


FIG.5

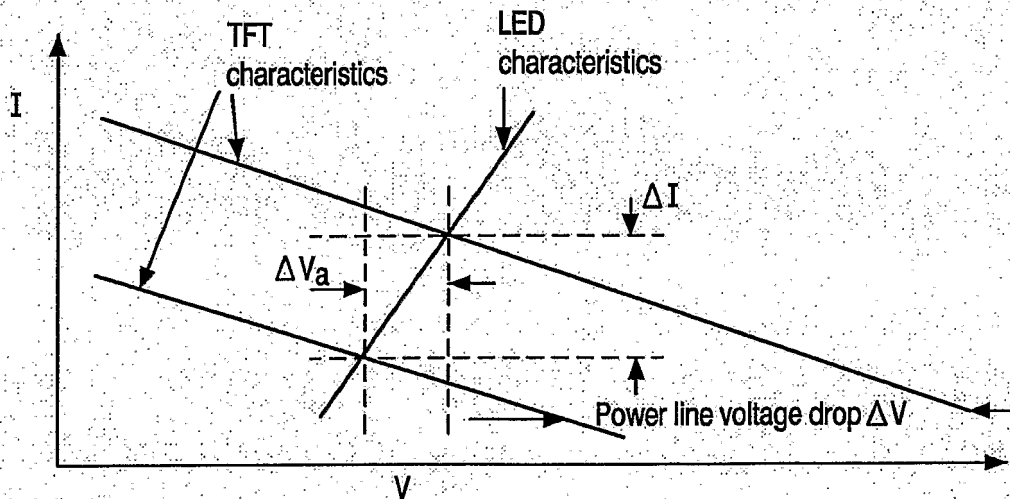


FIG.6

4/6

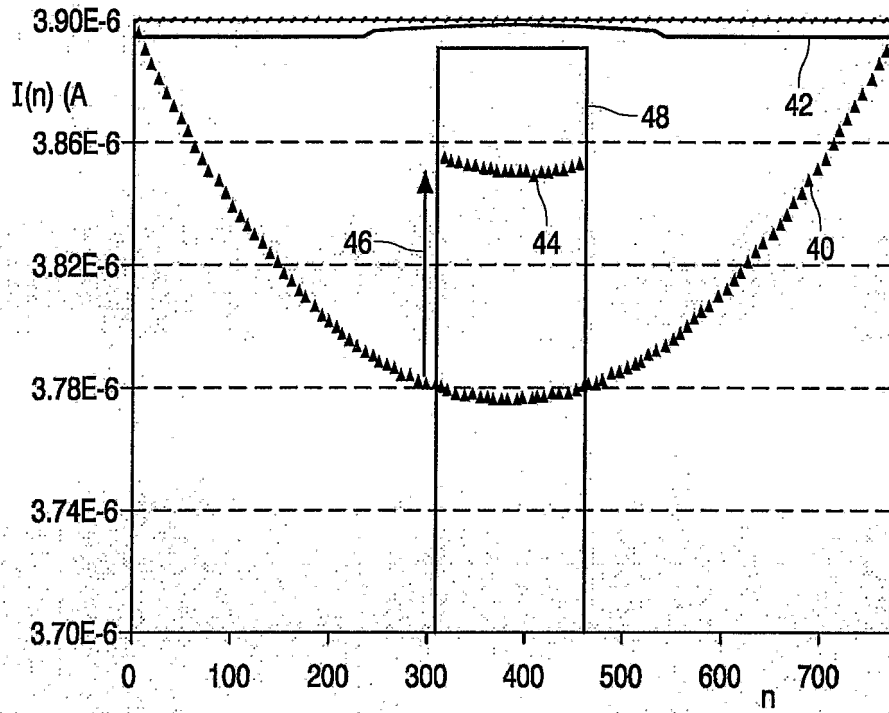


FIG.7

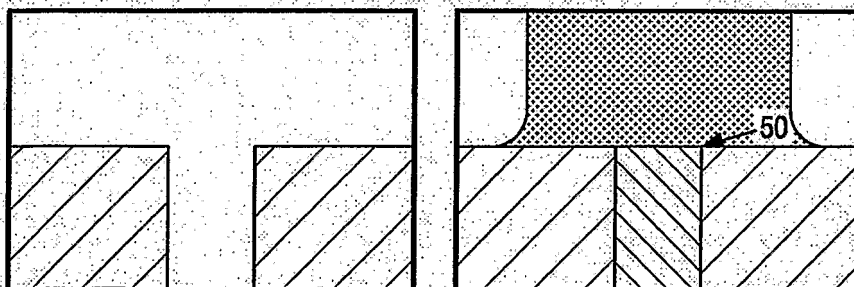


FIG.8

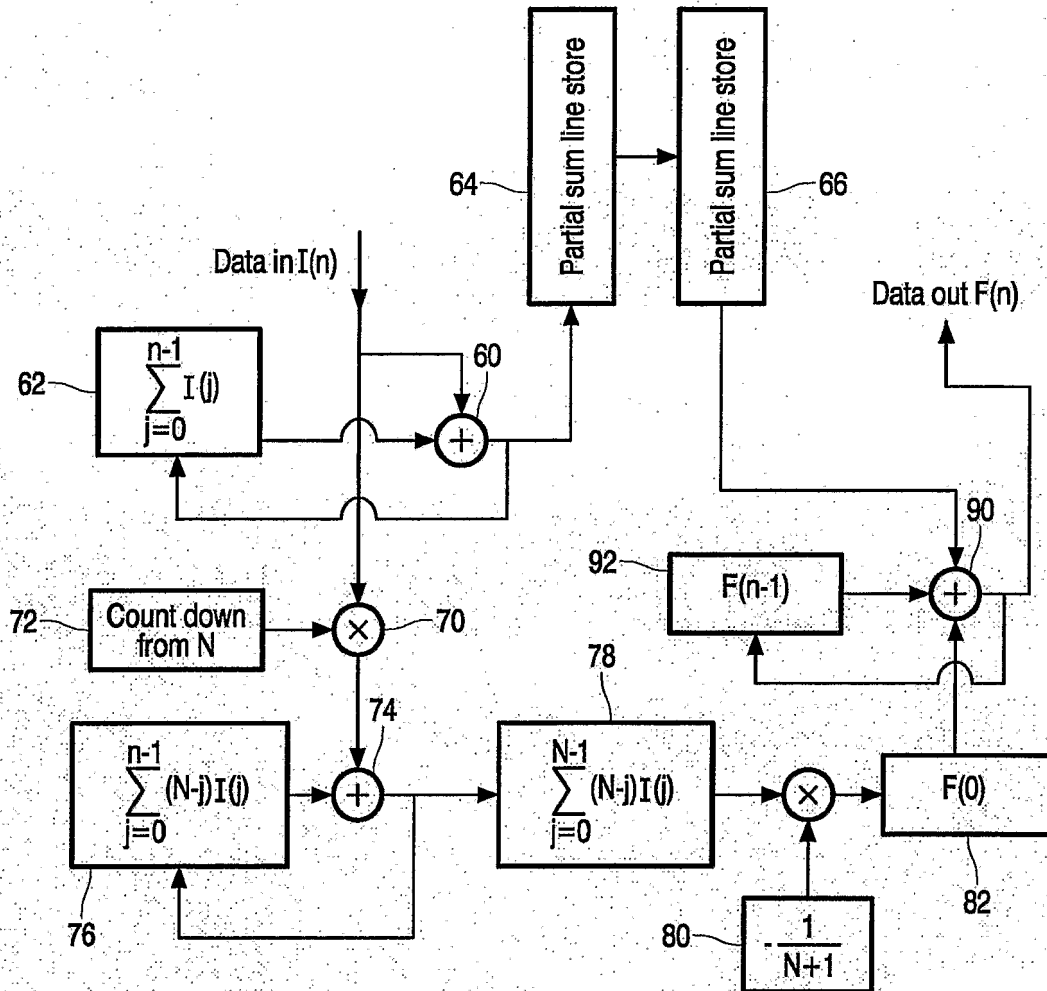


FIG.9

6/6

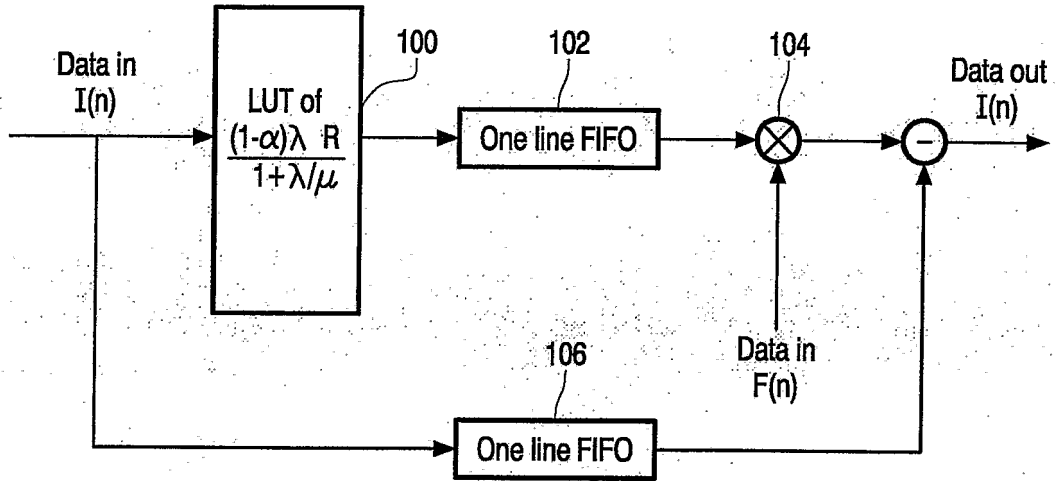


FIG. 10

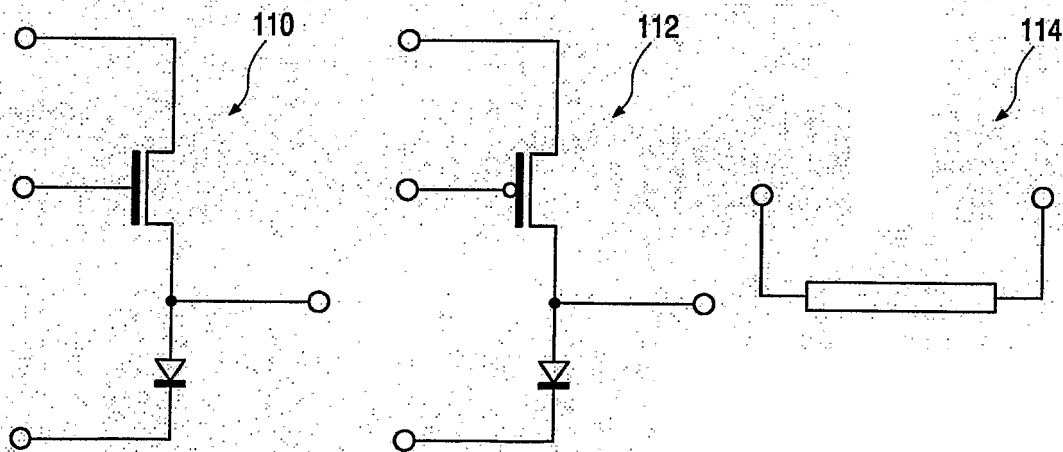


FIG. 11

INTERNATIONAL SEARCH REPORT

International Application No
PCT/IB2004/002057A. CLASSIFICATION OF SUBJECT MATTER
IPC 7 G09G3/32

According to International Patent Classification (IPC) or to both national classification and IPC

B. FIELDS SEARCHED

Minimum documentation searched (classification system followed by classification symbols)
IPC 7 G09G

Documentation searched other than minimum documentation to the extent that such documents are included in the fields searched

Electronic data base consulted during the international search (name of data base and, where practical, search terms used)

EPO-Internal

C. DOCUMENTS CONSIDERED TO BE RELEVANT

Category °	Citation of document, with indication, where appropriate, of the relevant passages	Relevant to claim No.
X	WO 03/027999 A (SANYO ELECTRIC CO ; INOUE MASUTAKA (JP); MORI YUKIO (JP); MURATA HARUH) 3 April 2003 (2003-04-03)	1-6, 9-13, 15-21, 23-25, 27-29
Y	the whole document & EP 1 439 518 A (SANYO ELECTRIC CO) 21 July 2004 (2004-07-21) abstract paragraphs '0001!', '0002!', '0008!', '0012!', '0013!', '0016!', '0017!', '0019!', '0023!' - '0025!', '0029!', '0031! - '0041!; figures 1,2,5,8	14,26
Y	EP 1 225 557 A (MATSUSHITA ELECTRIC IND CO LTD) 24 July 2002 (2002-07-24) paragraphs '0012!' - '0015!	14,26

 Further documents are listed in the continuation of box C. Patent family members are listed in annex.

° Special categories of cited documents :

A document defining the general state of the art which is not considered to be of particular relevance

E earlier document but published on or after the international filing date

L document which may throw doubts on priority claim(s) or which is cited to establish the publication date of another citation or other special reason (as specified)

O document referring to an oral disclosure, use, exhibition or other means

P document published prior to the international filing date but later than the priority date claimed

T later document published after the international filing date or priority date and not in conflict with the application but cited to understand the principle or theory underlying the invention

X document of particular relevance; the claimed invention cannot be considered novel or cannot be considered to involve an inventive step when the document is taken alone

Y document of particular relevance; the claimed invention cannot be considered to involve an inventive step when the document is combined with one or more other such documents, such combination being obvious to a person skilled in the art.

& document member of the same patent family

Date of the actual completion of the international search

16 September 2004

Date of mailing of the international search report

24/09/2004

Name and mailing address of the ISA

European Patent Office, P.B. 5818 Patentlaan 2
NL - 2280 HV Rijswijk
Tel. (+31-70) 340-2040, Tx. 31 651 epo nl,
Fax: (+31-70) 340-3016

Authorized officer

Fulcheri, A

INTERNATIONAL SEARCH REPORT

Information on patent family members

International Application No
PCT/IB2004/002057

Patent document cited in search report	A	Publication date	EP	Patent family member(s)	Publication date
WO 03027999	A	03-04-2003	EP	1439518 A1	21-07-2004
			WO	03027999 A1	03-04-2003
<hr style="border-top: 1px dashed black;"/>					
EP 1439518	A	21-07-2004	EP	1439518 A1	21-07-2004
			WO	03027999 A1	03-04-2003
<hr style="border-top: 1px dashed black;"/>					
EP 1225557	A	24-07-2002	EP	1225557 A1	24-07-2002
			CN	1377495 T	30-10-2002
			WO	0126085 A1	12-04-2001
			JP	2001350442 A	21-12-2001
			TW	472277 B	11-01-2002
<hr style="border-top: 1px dashed black;"/>					

专利名称(译)	发光显示装置		
公开(公告)号	EP1642256A1	公开(公告)日	2006-04-05
申请号	EP2004737048	申请日	2004-06-18
[标]申请(专利权)人(译)	皇家飞利浦电子股份有限公司		
申请(专利权)人(译)	皇家飞利浦电子N.V.		
当前申请(专利权)人(译)	皇家飞利浦电子N.V.		
发明人	FISH, DAVID A. C/O PHILIPS I.P. & STANDARDS HUGHES, JOHN R. C/O PHILIPS I.P. & STANDARDS DEANE, STEVEN C. C/O PHILIPS I.P. & STANDARDS		
IPC分类号	G09G3/32		
CPC分类号	G09G3/3233 G09G3/3275 G09G2300/0809 G09G2320/0214 G09G2320/0223 G09G2320/0285 G09G2320/029 G09G2320/043 G09G2330/12		
优先权	2003014895 2003-06-26 GB		
外部链接	Espacenet		

摘要(译)

提供了一种确定要施加到以行和列排列的发光显示元件阵列的像素的像素驱动信号的方法，一行中的多个像素沿着相应的行导体被同时供给电流。目标像素驱动电流是从像素电流 - 亮度特性的模型确定的。考虑到由多个像素从行导体引出的电流以及像素亮度特性对像素处的行导体上的电压的依赖性导致在每个像素处的各个行导体上的电压被修改。这解决了由于提供电流的TFT的有限输出阻抗以及用于形成电源线的金属的有限电阻而在有源矩阵LED显示器中发生的水平串扰的问题。