

(19) World Intellectual Property
Organization
International Bureau



(43) International Publication Date
18 March 2004 (18.03.2004)

PCT

(10) International Publication Number
WO 2004/023575 A1

(51) International Patent Classification⁷: **H01L 51/52**,
H05B 33/26, 33/28

(21) International Application Number:
PCT/IB2003/003818

(22) International Filing Date: 22 August 2003 (22.08.2003)

(25) Filing Language: English

(26) Publication Language: English

(30) Priority Data:
0220613.4 5 September 2002 (05.09.2002) GB

(71) Applicant (for all designated States except US): **KONINKLIJKE PHILIPS ELECTRONICS N.V.** [NL/NL];
Groenewoudseweg 1, NL-5621 BA Eindhoven (NL).

(72) Inventor; and

(75) Inventor/Applicant (for US only): **YOUNG, Nigel, D.** [GB/GB]; c/o Philips Intellectual Property & Standards,
Cross Oak Lane, Redhill, Surrey RH1 5HA (GB).

(74) Agent: **WILLIAMSON, Paul, L.**; Philips Intellectual Property & Standards, Cross Oak Lane, Redhill, Surrey RH1 5HA (GB).

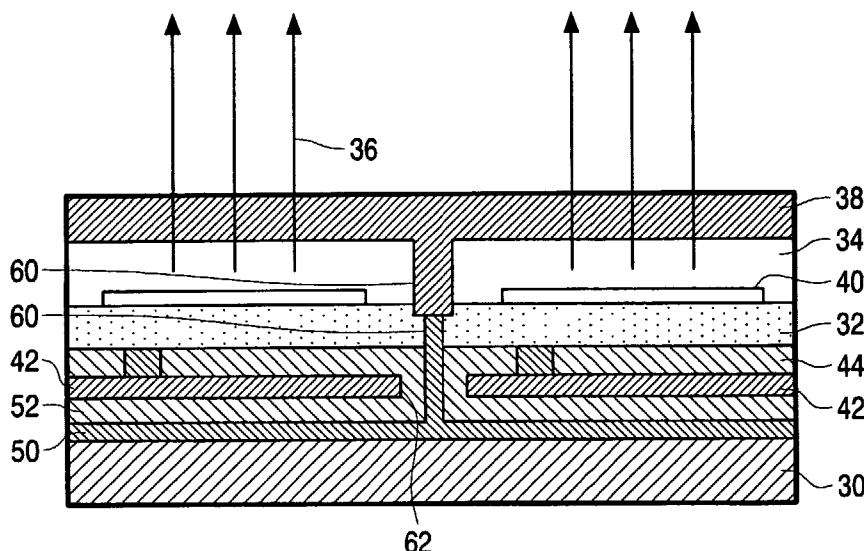
(81) Designated States (national): AE, AG, AL, AM, AT, AU, AZ, BA, BB, BG, BR, BY, BZ, CA, CH, CN, CO, CR, CU, CZ, DE, DK, DM, DZ, EC, EE, ES, FI, GB, GD, GE, GH, GM, HR, HU, ID, IL, IN, IS, JP, KE, KG, KP, KR, KZ, LC, LK, LR, LS, LT, LU, LV, MA, MD, MG, MK, MN, MW, MX, MZ, NO, NZ, OM, PH, PL, PT, RO, RU, SC, SD, SE, SG, SK, SL, TJ, TM, TN, TR, TT, TZ, UA, UG, US, UZ, VC, VN, YU, ZA, ZM, ZW.

(84) Designated States (regional): ARIPO patent (GH, GM, KE, LS, MW, MZ, SD, SL, SZ, TZ, UG, ZM, ZW), Eurasian patent (AM, AZ, BY, KG, KZ, MD, RU, TJ, TM), European patent (AT, BE, BG, CH, CY, CZ, DE, DK, EE, ES, FI, FR, GB, GR, HU, IE, IT, LU, MC, NL, PT, RO, SE, SI, SK, TR), OAPI patent (BF, BJ, CF, CG, CI, CM, GA, GN, GQ, GW, ML, MR, NE, SN, TD, TG).

Published:
— with international search report

For two-letter codes and other abbreviations, refer to the "Guidance Notes on Codes and Abbreviations" appearing at the beginning of each regular issue of the PCT Gazette.

(54) Title: ELECTROLUMINESCENT DISPLAY DEVICES



(57) Abstract: In an active matrix electroluminescent display device having an array of pixels, a drive transistor (22) and an electroluminescent display element (2) in each pixel are connected in series between a power line (26) for supplying or drawing a controllable current to or from the display element and a common potential line. The power line (26) and the common potential line each comprise a sheet electrode shared between all pixels of the array. In this arrangement, sheet electrodes are used both for the current supply to the EL display element and the current sink. This reduces considerably the line resistance.

WO 2004/023575 A1

DESCRIPTION

ELECTROLUMINESCENT DISPLAY DEVICES

5

This invention relates to electroluminescent display devices, particularly active matrix display devices having thin film switching transistors associated with each pixel.

10

Matrix display devices employing electroluminescent, light-emitting, display elements are well known. The display elements may comprise organic thin film electroluminescent elements, for example using polymer materials, or else light emitting diodes (LEDs) using traditional III-V semiconductor compounds. Recent developments in organic electroluminescent materials, particularly polymer materials, have demonstrated their ability to be used practically for video display devices. These materials typically comprise one or more layers of a semiconducting conjugated polymer sandwiched between a pair of electrodes, one of which is transparent and the other of which is of a material suitable for injecting holes or electrons into the polymer layer. The polymer material can be fabricated using a PVD process, or simply by a spin coating technique using a solution of a soluble conjugated polymer. Ink-jet printing may also be used. Organic electroluminescent materials exhibit diode-like I-V properties, so that they are capable of providing both a display function and a switching function, and can therefore be used in passive type displays. Alternatively, these materials may be used for active matrix display devices, with each pixel comprising a display element and a switching device for controlling the current through the display element.

25

Display devices of this type have current-addressed display elements, so that a conventional, analogue drive scheme involves supplying a controllable current to the display element. It is known to provide a current source transistor as part of the pixel configuration, with the gate voltage supplied to the current source transistor determining the current through the

30

display element. A storage capacitor holds the gate voltage after the addressing phase.

Figure 1 shows a known pixel circuit for an active matrix addressed electroluminescent display device. The display device comprises a panel having a row and column matrix array of regularly-spaced pixels, denoted by the blocks 1 and comprising electroluminescent display elements 2 together with associated switching means, located at the intersections between crossing sets of row (selection) and column (data) address conductors 4 and 6. Only a few pixels are shown in the Figure for simplicity. In practice there may be several hundred or more rows and columns of pixels. The pixels 1 are addressed via the sets of row and column address conductors by a peripheral drive circuit comprising a row, scanning, driver circuit 8 and a column, data, driver circuit 9 connected to the ends of the respective sets of conductors.

The electroluminescent display element 2 comprises an organic light emitting diode, represented here as a diode element (LED) and comprising a pair of electrodes between which one or more active layers of organic electroluminescent material is sandwiched. The display elements of the array are carried together with the associated active matrix circuitry on one side of an insulating support. Either the cathodes or the anodes of the display elements are formed of transparent conductive material. For downward emitting arrangements, the support is of transparent material such as glass and the electrodes of the display elements 2 closest to the substrate may consist of a transparent conductive material such as ITO so that light generated by the electroluminescent layer is transmitted through these electrodes and the support so as to be visible to a viewer at the other side of the support. Typically, the thickness of the organic electroluminescent material layer is between 100 nm and 200nm. Typical examples of suitable organic electroluminescent materials which can be used for the elements 2 are known and described in EP-A-0 717446. Conjugated polymer materials as described in WO96/36959 can also be used.

For upward emitting arrangements, the substrate can be opaque or coloured.

Figure 2 shows in simplified schematic form a known pixel and drive circuitry arrangement for providing voltage-addressed operation. Each pixel 1 comprises the EL display element 2 and associated driver circuitry. The driver circuitry has an address transistor 16 which is turned on by a row address pulse on the row conductor 4. When the address transistor 16 is turned on, a voltage on the column conductor 6 can pass to the remainder of the pixel. In particular, the address transistor 16 supplies the column conductor voltage to a current source 20, which comprises a drive transistor 22 and a storage capacitor 24. The column voltage is provided to the gate of the drive transistor 22, and the gate is held at this voltage by the storage capacitor 24 even after the row address pulse has ended. The drive transistor 22 draws a current from the power supply line 26.

The drive transistor 22 in this circuit is implemented as a PMOS TFT, so that the storage capacitor 24 holds the gate-source voltage fixed. This results in a fixed source-drain current through the transistor, which therefore provides the desired current source operation of the pixel.

The above basic pixel circuit is a voltage-addressed pixel, and there are also current-addressed pixels which sample a drive current. However, all pixel configurations require current to be supplied to each pixel.

In a conventional pixel configuration, the power supply line 26 is a row conductor, and is typically long and narrow. The displays are typically backward-emitting, through the substrate carrying the active matrix circuitry. This is the preferred arrangement because the desired cathode material of the EL display element is opaque, so that the emission is from the anode side of the EL diode. This desired cathode material is a metal of low work function, such as calcium or barium, for the ability to inject electrons with low applied voltages. These low work function metals are also reactive, so that it is not desirable to place them against the active matrix circuitry, as the required patterning is then difficult.

Metal row conductors are formed, and for backward emitting displays they need to occupy the space between display areas, as they are opaque. For example, in a 12.5cm (diameter) display, which is suitable for portable

products, the row conductor may be approximately 11cm long and 20 μ m wide. For a typical metal sheet resistance of 0.2 Ω /square, this gives a line resistance for a metal row conductor of 1.1k Ω . A bright pixel may draw around 8 μ A, and the current drawn is distributed along the row. A row of 1920 pixels (640 x 3
5 colours) can experience a voltage drop of around 9 volts. This can be reduced by a factor of 4 by drawing current from both ends of the row, and further still by improvements in efficiency of the EL materials. Nevertheless significant voltage drops are still present. This problem is worsened for larger displays, even if the total line resistance can be kept the same. This is because there
10 are more pixels per row, or alternatively larger pixels if the resolution is the same. The voltage variations along the power supply line alter the gate-source voltage on the drive transistors, and thereby affect the brightness of the display, in particular causing dimming in the center of the display (assuming the rows are sourced from both ends). Furthermore, as the currents drawn by
15 the pixels in the row are image-dependent, it is difficult to correct the pixel drive levels by data correction techniques.

ITO is used to form the common electrode in conventional displays, and has a typical sheet resistance of 20 Ω /square. This increased sheet resistance makes ITO unsuitable for row conductors.

20 According to the invention, there is provided an active matrix electroluminescent display device comprising an array of display pixels, each pixel comprising:

an electroluminescent display element; and

25 active matrix circuitry including a drive transistor for driving a current through the display element,

wherein the drive transistor and the display element are connected in series between a power line for supplying or drawing a controllable current to or from the display element and a common potential line, and

30 wherein the power line and the common potential line each comprise a sheet electrode shared between all pixels of the array.

In this arrangement, sheet electrodes are used both for the current supply to the EL display element and the current sink. The power supply line is thus a shared sheet electrode instead of the conventional row electrode. This reduces considerably the line resistance. For example, if the aspect ratio
5 of the sheet electrode power line is 1:1 (square) the line resistance is simply equal to the resistance per square of the material, for example 0.2Ω typically for metals. If the sheet is connected around the entire periphery, the line resistance is lower.

The device comprises a substrate, and the active matrix circuitry may
10 overlie the substrate with an electroluminescent layer overlying the active matrix circuitry.

The display may be backward emitting through the substrate, so that conventional materials may be used in the manufacture of the device. The power line may then comprise a substantially transparent electrically
15 conductive sheet (for example ITO) between the substrate and the active matrix circuitry. This provides a transparent layer, and the thickness can be selected to provide the desired resistance.

In this embodiment, an insulating layer is provided between the substantially transparent electrically conductive sheet and the active matrix
20 circuitry, with contact portions provided through the insulating layer. This provides the contact from the power line (sheet) to each pixel.

The display may instead be upward emitting away from the substrate, and materials have been developed which enable the EL display element cathode to overlie the active matrix circuitry, with light output from the anode
25 away from the substrate. In this case, the power line comprises a metal sheet between the substrate and the active matrix circuitry.

In this case, the common potential line needs to be transparent, and thus may comprise an ITO layer forming the anodes of the EL display elements, and overlying the electroluminescent layer.

30 In another example, the display may instead be upward emitting away from the substrate, and with emission through the cathode. Cathode designs have been implemented which combine the required electrical properties with

suitable optical transparency. In this case, the cathodes can form the common potential line.

For example, the cathode may comprise a substantially optically transparent conducting layer of a first thickness, and a second layer of a second, smaller thickness, and which comprises a low work function metal.

In these examples, one of the common potential line and the power supply line needs to be transparent (as they are on opposite sides of the EL material layer), and this will normally result in the use of ITO. This has a high resistance and it would be preferable to provide metallic electrodes for both current carrying lines.

Therefore, in another example, a second metal layer is provided between the substrate and the active matrix layer, isolated from the first metal layer, and wherein the second metal layer is connected to the common potential line. In this way, the common potential line and the power supply line are connected to metal sheet layers.

The common potential line may comprise a substantially transparent electrically conductive layer (e.g. ITO) forming the anodes or cathodes of the EL display elements (in the latter case, a low work function metal is combined with the ITO layer), and overlying the electroluminescent layer, and the second metal layer contacts the common potential line with contact portions extending through the active matrix circuitry. These contact portions also extend through openings in the metal sheet.

The invention will now be described by way of example with reference to the accompanying drawings, in which:

Figure 1 shows a known EL display device;

Figure 2 is a simplified schematic diagram of a known pixel circuit for current-addressing the EL display pixel;

Figure 3 shows a simplified schematic diagram of a pixel circuit of the invention;

Figure 4 shows a first example of display device according to the invention;

Figure 5 shows a second example of display device according to the invention;

Figure 6 shows a third example of display device according to the invention;

5 Figure 7 shows a fourth example of display device according to the invention; and

Figure 8 shows a fifth example of display device according to the invention.

10 It should be noted that these figures are diagrammatic and not drawn to scale. Relative dimensions and proportions of parts of these figures have been shown exaggerated or reduced in size, for the sake of clarity and convenience in the drawings.

15 The invention provides a display in which the current is supplied and drained using substantially continuous sheets of conductive material. As shown schematically in Figure 3, the power supply line 26 is a sheet electrode, and it is shared between all pixels of the display. The term "line" will continue to be used, although of course the conductor is a rectangular sheet. This
20 power supply line is typically provided with a fixed voltage, for example 8 Volts.

The invention can be applied to any pixel design, not only the basic voltage-addressed pixel configuration of Figure 3. Indeed, any pixel which draws current from a power line can be modified to take advantage of the invention. There are many other types of pixel configuration, for example
25 including additional circuit elements for aging compensation or for threshold voltage compensation, and there are also numerous current-addressed pixel designs. These all require current to be provided to the display elements of the pixels and can thereby benefit from the invention. These pixels may use NMOS, PMOS or CMOS technologies.

30 Figure 4 shows a first example of display device according to the invention.

The device comprises a substrate 30, active matrix circuitry 32 and an electroluminescent (EL) layer 34 over the active matrix circuitry 32. The substrate is typically glass. The active matrix circuitry is shown schematically as it may take various forms, as discussed above. The display is backward
5 emitting through the substrate as shown by arrows 36, and the common potential line (the earth connection in Figure 3) is provided by a metal cathode layer 38 overlying the EL layer 34. The anodes of the individual pixels are defined by ITO pixel electrodes 40 which in practice form part of the active matrix circuitry 32.

10 The power supply line 26 is implemented as an ITO sheet 42 beneath the active matrix circuitry 32, in particular between the substrate 30 and the active matrix circuitry 32. This provides a transparent layer, and the thickness can be selected to provide the desired resistance. Furthermore, additional metal conductor portions may be provided outside the pixel areas to reduce
15 the resistance further.

An insulating layer 44 is provided between the ITO sheet 42 and the active matrix circuitry, with contact portions 46 provided through the insulating layer 44. This provides the contact from the ITO power line to each pixel. The insulating layer can be any suitable transparent material, but is preferably
20 silicon oxide or silicon nitride. The contact portions 46 are typically metallic contacts.

The display may instead be upward emitting away from the substrate, and materials have been developed which enable the EL display element cathode to overlie the active matrix circuitry despite the low work function
25 metal within the cathode layer. In this case, the light output from the anode is away from the substrate. Upward emitting arrangements can be made with higher aperture and also do not suffer transmission loss through the supporting substrate. Figure 5 shows an implementation of the invention for an upwardly emitting display. The same reference numerals are used as in
30 Figure 4 for the same components.

In this case, the common potential line 38 is a transparent ITO layer and forms the anodes of the EL display elements. In this case, the pixel electrodes

40 can be metallic. The power supply line is in this case implemented as a metallic sheet conductor 42, again with contact portions 46 through an insulating layer 44 making contact with the individual pixel circuits of the active matrix circuitry 32.

5 In these two examples, one of the common potential line 38 and the power supply line 42 needs to be transparent, as they are on opposite sides of the EL material layer 34. The use of ITO results still in a high resistance, even if the resistance is reduced by providing a metallic overlay outside the pixel areas. The sheet conductors, both the power supply line and the common
10 potential line, have to carry the currents from all pixels, rather than from only a row of pixels. The benefit of the reduction in resistance can be considered to be W/S where W is the row line width and S is the row spacing. In other words, for each row, the row conductor width is effectively increased from the previous row width to the full spacing between adjacent rows. This ratio may
15 typically be around 0.2. Therefore, a benefit is only obtained if the materials needed for the shared conductor have resistance no worse than 5 times the metal resistance previously used for the metal row conductors.

In practice the use of ITO limits the benefit of the examples of Figures 4 and 5.

20 Figure 6 shows a modification to the example of Figure 5, and the same reference numerals are again used for the same components. A second metal layer 50 is provided between the substrate 30 and the active matrix layer 32, isolated from the first metal layer 42 (which is the power supply line). The second metal layer 50 is connected to the ITO common potential line 38
25 overlying the EL material layer 34. In this way, the ITO common potential line is connected at each pixel location (or at least at regular intervals) to a metal sheet layer. The power supply line is also formed by a metal conductor 42 as in the example of Figure 5.

The second metal layer 50 is provided over the substrate 30 and a first
30 insulator layer 52 overlies the second metal layer 50. The metal sheet 42 of the power supply line 26 overlies the first insulator layer 52. A second insulating layer 44 (corresponding to the insulating layer 44 in Figure 5) is

provided between the metal sheet 42 and the active matrix circuitry 32, with the contact portions 46 through the second insulating layer 44.

The connections between the second metal layer 50 and the ITO common potential line 38 comprise contacts 60 extending through openings 62 in the metal sheet 42 and through the active matrix circuitry 32. The two metal sheets 42,50 should be as thick as possible and of as low resistivity metal as possible. The dielectric spacers (the insulating layers) are high integrity material. The contacts 60 may be metal only with a patterned contact pad beneath or above the ITO layer 38, as it is easier to pattern these contacts from metal rather than from ITO.

In the examples above, the light emitting display elements have opaque cathodes, and the light emission is from the anode side of the display element.

There are also pixel designs which enable transparent (or at least semi-transparent) cathodes to be formed. This then enables an upward emitting structure to be formed while still avoiding patterning of the cathode. Figure 7 shows one application of the invention to this type of pixel design.

In Figure 7, the same reference numerals are used as in Figure 5 to denote the same components. The anode overlies the active matrix substrate, and is again formed from an ITO pixel electrode 70. ITO is still used as the anode material even though there is no need for the anode to be transparent, because ITO has the required electronic properties (in particular for the injection of holes) as well as deposition properties. A metal pixel electrode 72 lies beneath the ITO layer 70 and acts as a reflector so that (substantially) all light emission is upwardly, away from the substrate.

The cathode is formed from an ITO support 74 beneath which a thin layer 76 of the desired cathode material is formed. Again, this cathode material includes a low work function metal such as calcium or barium. However, the thickness is reduced to a level where the cathode is at least partially transparent, for example 50% transparent. Patterning of the cathode material is still avoided.

The example of Figure 6, in which the resistance of the transparent top electrode is reduced, can also be modified to use a transparent cathode variation, as shown in Figure 8.

In Figure 8, the same reference numerals are used as in Figures 6 and 7 to denote the same components.

The anode again overlies the active matrix substrate, and again has an ITO part 70 and a metal part 72. The cathode is again formed from an ITO support 74 and a thin layer 76 of the desired cathode material is formed.

There will be a number of possible materials for the conducting layer used to implement the invention. Where it is required to be transparent, ITO is an obvious candidate. Other transparent conductive layers have however been proposed. Where it can be opaque, the layer may be any suitable metal layer, which may be formed as a foil or may be deposited by more conventional techniques.

The specific choice of materials to be used within the device structure has not been discussed in detail in this application, as the implementation of the invention will be routine for those skilled in the art. Indeed, the layers used conventionally in the manufacture of EL display devices can be employed, and the invention essentially requires row conductors to be replaced by a continuous layer (possibly with vias) and with interconnections provided to individual pixels. The detailed processing steps will not therefore be discussed in detail.

Difficulties may arise in stepping the ITO layer 38 of Figure 6 through deep contact vias to the underlying metal. A strap contact may be used in this example, namely an additional metal layer above the ITO which passes through the via to the underlying metal electrode. The strap metal may be in contact with the ITO or separated from it by an insulator.

In the upward emitting examples of Figures 5 to 8, the substrate 30 may be a metal substrate which can then additionally function as one of the sheet metal contacts (for example avoiding the need for additional layers to define the contacts 42 or 50).

Various other modifications will be apparent to those skilled in the art.

CLAIMS

1. An active matrix electroluminescent display device comprising an array of display pixels, each pixel comprising:
 - 5 an electroluminescent display element (2); and
 - active matrix circuitry including a drive transistor (22) for driving a current through the display element (2),
 - wherein the drive transistor (22) and the display element (2) are connected in series between a power line (26) for supplying or drawing a
 - 10 controllable current to or from the display element (2) and a common potential line, and
 - wherein the power line (26) and the common potential line each comprise a sheet electrode shared between all pixels of the array.
- 15 2. A device as claimed in claim 1, comprising a substrate (30), the active matrix circuitry overlying the substrate and an electroluminescent layer (34) overlying the active matrix circuitry.
3. A device as claimed in claim 2, wherein the display is backward emitting
20 through the substrate (30), and wherein the power line comprises a substantially transparent electrically conductive sheet (42) between the substrate (30) and the active matrix circuitry.
4. A device as claimed in claim 3, wherein an insulating layer (44) is
25 provided between the substantially transparent electrically conductive sheet (42) and the active matrix circuitry, contact portions (46) being provided through the insulating layer (44).
5. A device as claimed in claim 2, wherein the display is upward emitting
30 away from the substrate.

6. A device as claimed in claim 5, wherein the power line comprises a metal sheet (42) between the substrate (30) and the active matrix circuitry.

7. A device as claimed in claim 6, further comprising a second metal layer (50) between the substrate (30) and the active matrix layer, isolated from the first metal layer (42), and wherein the second metal layer is connected to the common potential line (38).

8. A device as claimed in claim 7, wherein the common potential line comprises a substantially transparent electrically conductive layer (38) forming the anodes of the EL display elements, and overlying the electroluminescent layer (34), and wherein the second metal layer (50) contacts the common potential line with contact portions (60) extending through the active matrix circuitry.

9. A device as claimed in claim 7, wherein the common potential line comprises a substantially transparent electrically conductive layer (74) and a metal layer (74) forming the cathodes of the EL display elements, and overlying the electroluminescent layer (34), and wherein the second metal layer (50) contacts the common potential line with contact portions (60) extending through the active matrix circuitry.

10. A device as claimed in claim 8 or 9, wherein the second metal layer (50) overlies the substrate (30), a first insulator layer (52) overlies the second metal layer, and the metal sheet (42) overlies the first insulator layer (52).

11. A device as claimed in claim 10, wherein a second insulating layer (44) is provided between the metal sheet (42) and the active matrix circuitry, contact portions being provided through the second insulating layer (44).

12. A device as claimed in claim 10 or 11, wherein contact portions which connect the second metal layer (50) to the common potential line (38; 74,76) extend through openings in the metal sheet (42).
- 5 13. A device as claimed in claim 6, wherein the common potential line comprises an ITO layer (38) forming the anodes of the EL display elements, and overlying the electroluminescent layer (34).
- 10 14. A device as claimed in claim 13, wherein an insulating layer (44) is provided between the metal sheet (42) and the active matrix circuitry, contact portions (46) being provided through the insulating layer.
- 15 15. A device as claimed in claim 5, wherein the substrate comprises a metal sheet which forms the power line.
16. A device as claimed in claim 5, 6, 7 or 9, wherein the electroluminescent display element anodes are adjacent the substrate (30) and the light emission is through the cathodes.
- 20 17. A device as claimed in claim 16, wherein the cathodes form the common potential line (74,76).
- 25 18. A device as claimed in claim 16 or 17, wherein the cathode comprises a substantially optically transparent conducting layer (74) of a first thickness, and a second layer (76) of a second, smaller thickness, and which comprises a low work function metal.
- 30 19. A device as claimed in any preceding claim, wherein the active matrix circuitry further comprises, for each pixel, an address transistor (16) connected between a data signal line (6) and an input to the pixel.

20. A device as claimed in claim 19, wherein the active matrix circuitry further comprises, for each pixel, a storage capacitor (24) connected between the power line (26) and the gate of the drive transistor (22).

1/4

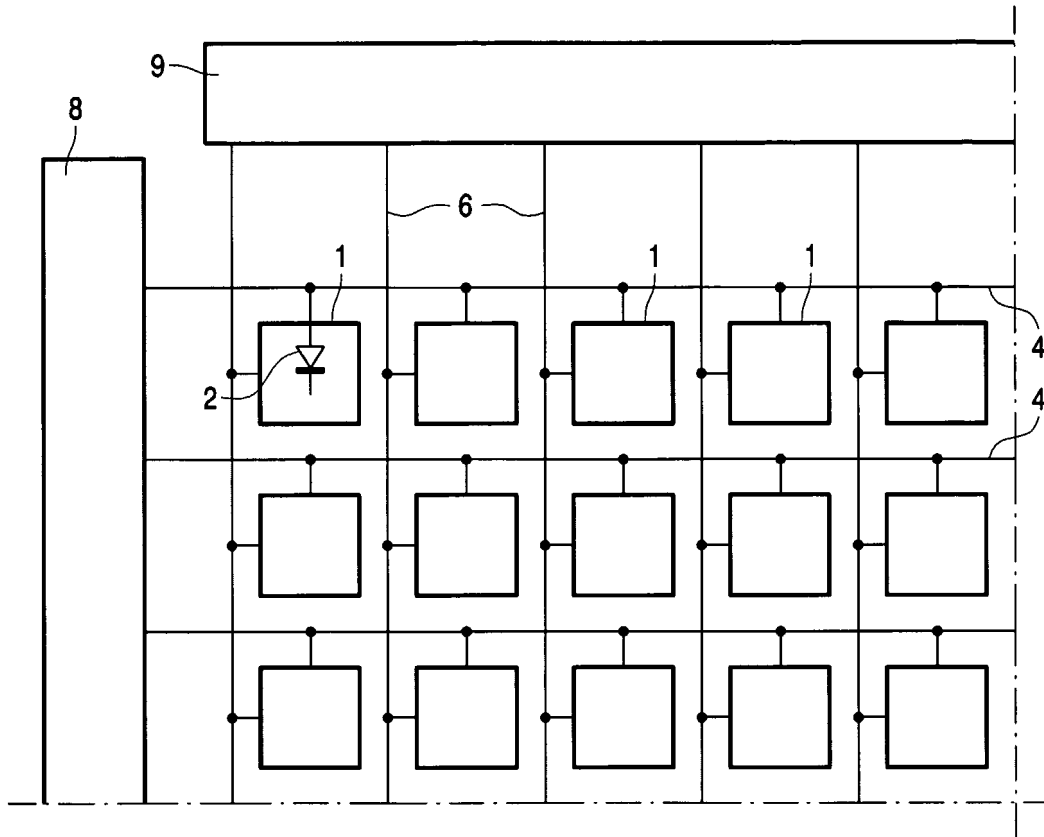


FIG. 1 PRIOR ART

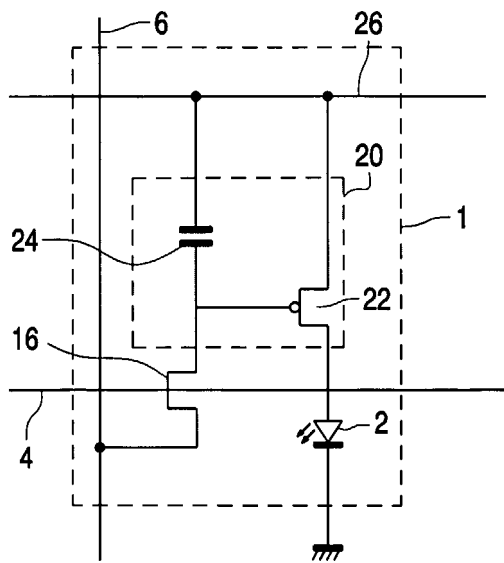


FIG. 2 PRIOR ART

2/4

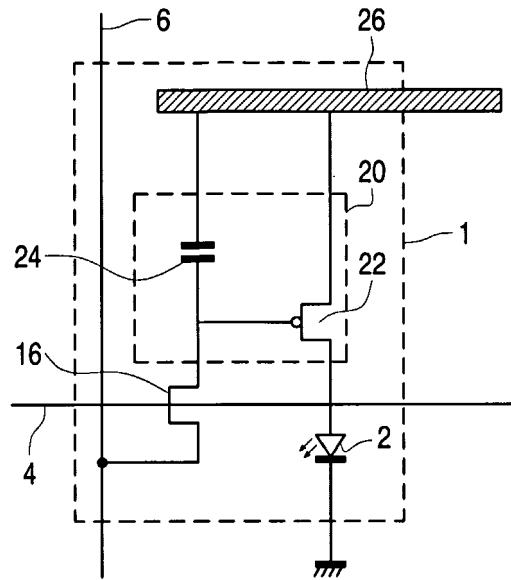


FIG.3

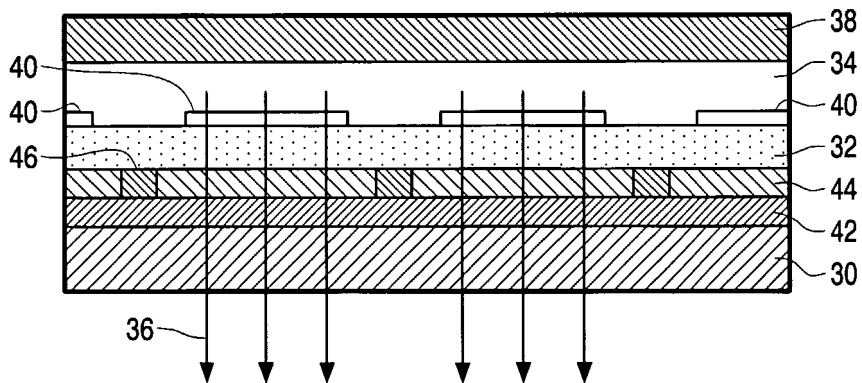


FIG.4

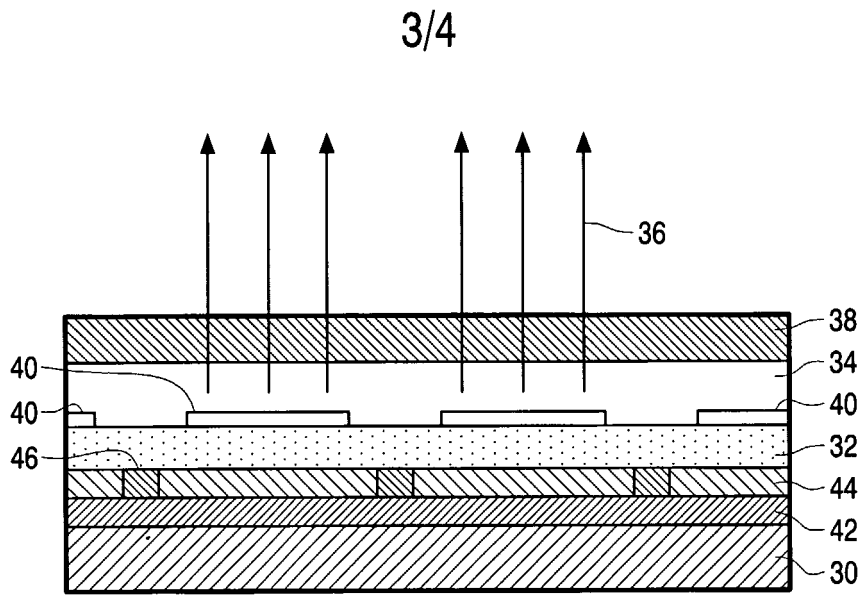


FIG.5

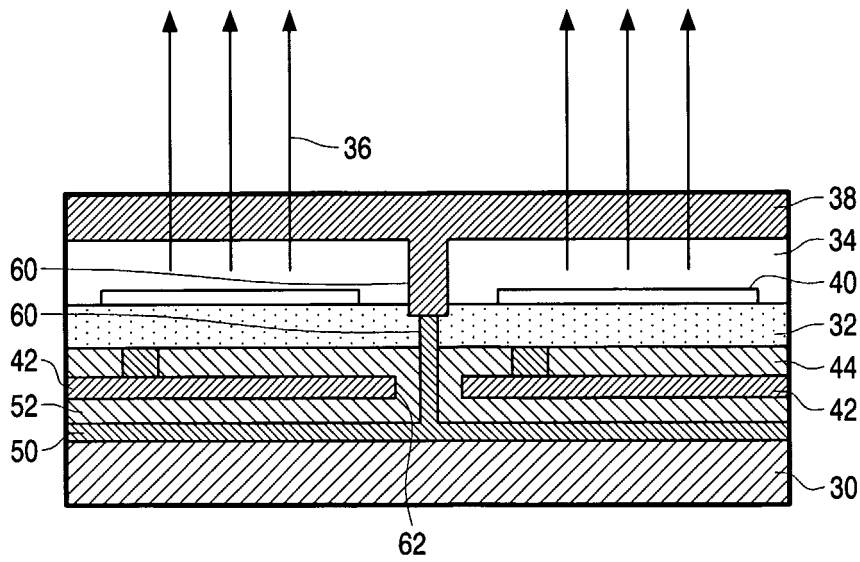


FIG.6

4/4

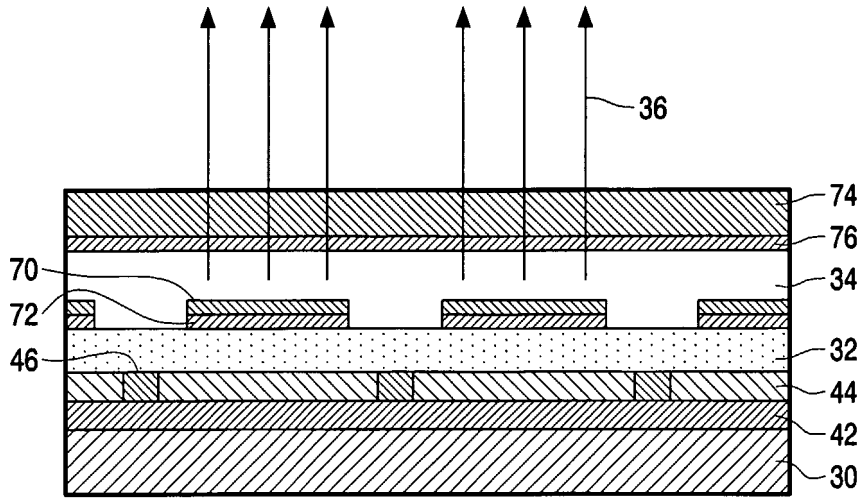


FIG.7

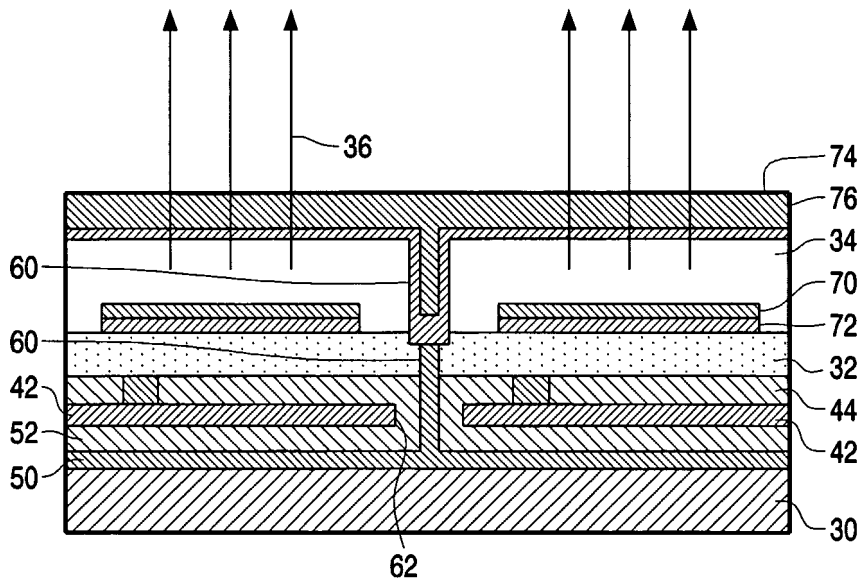


FIG.8

INTERNATIONAL SEARCH REPORT

International Application No

PCT/IB 03/03818

A. CLASSIFICATION OF SUBJECT MATTER
 IPC 7 H01L51/52 H05B33/26 H05B33/28

According to International Patent Classification (IPC) or to both national classification and IPC

B. FIELDS SEARCHED

Minimum documentation searched (classification system followed by classification symbols)
 IPC 7 H01L H05B

Documentation searched other than minimum documentation to the extent that such documents are included in the fields searched

Electronic data base consulted during the international search (name of data base and, where practical, search terms used)

EPO-Internal, PAJ, WPI Data, INSPEC, IBM-TDB

C. DOCUMENTS CONSIDERED TO BE RELEVANT

Category °	Citation of document, with indication, where appropriate, of the relevant passages	Relevant to claim No.
A	EP 0 891 122 A (TDK CORP) 13 January 1999 (1999-01-13) column 6, line 8 - line 37; figures 9,10 -----	1-20
A	PATENT ABSTRACTS OF JAPAN vol. 2002, no. 09, 4 September 2002 (2002-09-04) & JP 2002 156633 A (STANLEY ELECTRIC CO LTD), 31 May 2002 (2002-05-31) abstract; figure 1 -----	1-20
A	EP 1 107 335 A (TDK CORP) 13 June 2001 (2001-06-13) paragraph '0036! - paragraph '0038!; figures 1,2 paragraph '0039! - paragraph '0040!; figures 3,4 -----	1-20

Further documents are listed in the continuation of box C.

Patent family members are listed in annex.

° Special categories of cited documents :

A document defining the general state of the art which is not considered to be of particular relevance

E earlier document but published on or after the international filing date

L document which may throw doubts on priority claim(s) or which is cited to establish the publication date of another citation or other special reason (as specified)

O document referring to an oral disclosure, use, exhibition or other means

P document published prior to the international filing date but later than the priority date claimed

T later document published after the international filing date or priority date and not in conflict with the application but cited to understand the principle or theory underlying the invention

X document of particular relevance; the claimed invention cannot be considered novel or cannot be considered to involve an inventive step when the document is taken alone

Y document of particular relevance; the claimed invention cannot be considered to involve an inventive step when the document is combined with one or more other such documents, such combination being obvious to a person skilled in the art.

& document member of the same patent family

Date of the actual completion of the international search

11 December 2003

Date of mailing of the international search report

19/12/2003

Name and mailing address of the ISA

European Patent Office, P.B. 5818 Patentlaan 2
 NL - 2280 HV Rijswijk
 Tel. (+31-70) 340-2040, Tx. 31 651 epo nl,
 Fax: (+31-70) 340-3016

Authorized officer

Agne, M

INTERNATIONAL SEARCH REPORT

Information on patent family members

International Application No

PCT/I 3/03818

Patent document cited in search report	A	Publication date	Patent family member(s)	Publication date
EP 0891122	A	13-01-1999	JP 11031590 A EP 0891122 A1 US 2001026126 A1	02-02-1999 13-01-1999 04-10-2001

JP 2002156633	A	31-05-2002	NONE	

EP 1107335	A	13-06-2001	JP 2001155867 A EP 1107335 A2 TW 471241 B	08-06-2001 13-06-2001 01-01-2002

专利名称(译)	电致发光显示装置		
公开(公告)号	EP1554764A1	公开(公告)日	2005-07-20
申请号	EP2003793994	申请日	2003-08-22
[标]申请(专利权)人(译)	皇家飞利浦电子股份有限公司		
申请(专利权)人(译)	皇家飞利浦电子N.V.		
当前申请(专利权)人(译)	皇家飞利浦N.V.		
[标]发明人	YOUNG NIGEL D		
发明人	YOUNG, NIGEL, D.		
IPC分类号	H01L27/32 H01L51/50 G09F9/30 H01L51/00 H01L51/40 H05B33/26 H05B33/28		
CPC分类号	H01L27/3279 H01L51/0021 H01L51/5212 H01L51/5228 H01L2251/5315 H05B33/28		
优先权	2002020613 2002-09-05 GB		
其他公开文献	EP1554764B1		
外部链接	Espacenet		

摘要(译)

在具有像素阵列的有源矩阵电致发光显示装置中，每个像素中的驱动晶体管（22）和电致发光显示元件（2）串联连接在电源线（26）之间，用于向或者提供可控电流或者将可控电流提供给或者来自显示元件和公共电位线。电源线（26）和公共电位线各自包括在阵列的所有像素之间共享的片状电极。在这种布置中，片状电极既用于向EL显示元件和电流吸收器的电流供应。这大大降低了线路电阻。